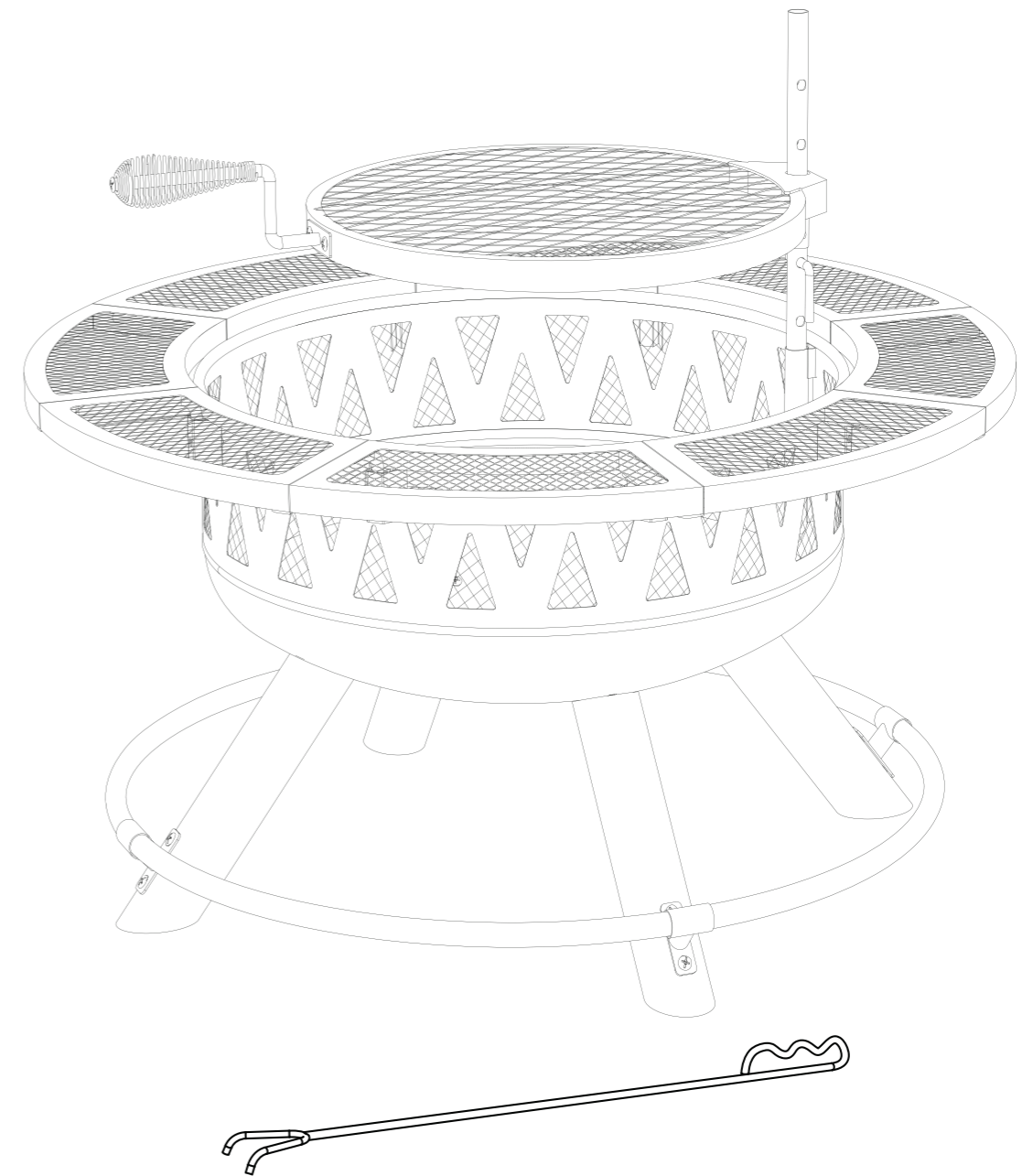


Assembly Instructions

36 Inch Round Fire Pit





SAFETY INFORMATION

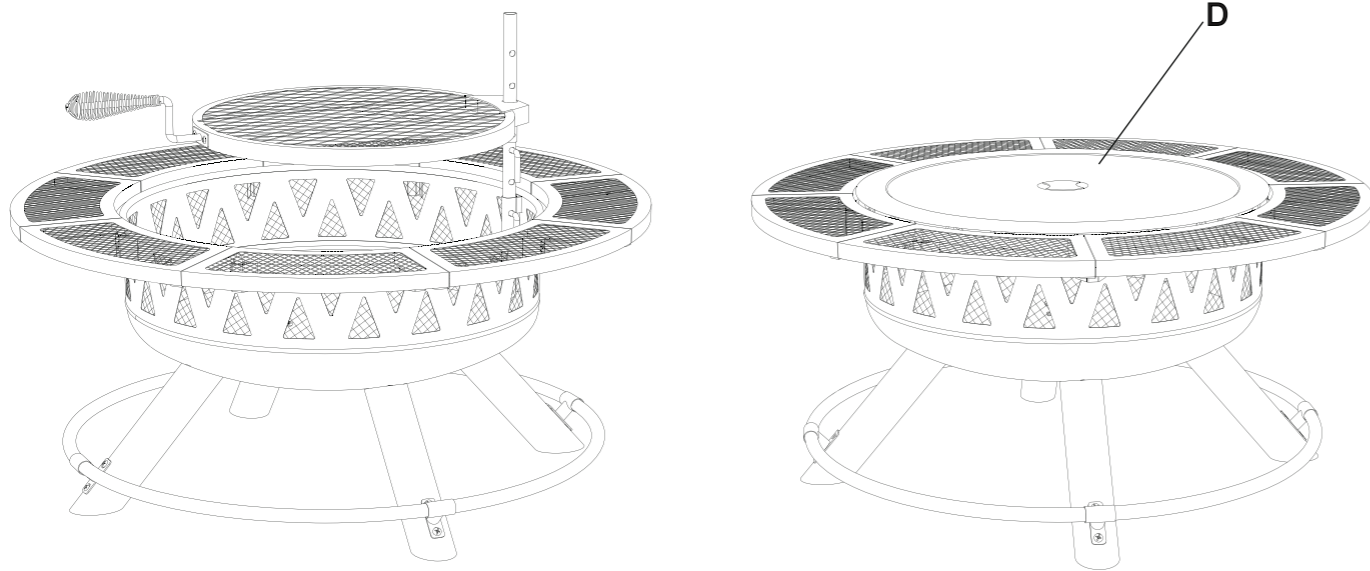
Please read and understand this entire manual before attempting to assemble, operate or install the product.

WARNING FOR YOUR SAFETY

1. Do NOT use this fire pit without reading this entire document and all WARNINGS, cautions and instructions. Death, serious injury or damage to property may occur if the following is not followed.
2. This item is for outdoor use only, and shall NOT be used in a building, garage or any other enclosed area.
3. Do NOT use this fire pit for indoor heating. TOXIC carbon monoxide fumes can accumulate and cause asphyxiation.
4. This fire pit is NOT for commercial use.
5. This fire pit is NOT to be operated by children.
6. This fire pit is NOT to be used in or on boats or recreational vehicles.
7. Always use in accordance with all applicable local, state and national codes. Contact your local fire department for details on outdoor burning.
8. When using this fire pit, exercise the same precautions you would with any open fire.
9. The use of alcohol, prescription or non-prescription drugs may impair the consumer's ability to properly assemble or safely operate this fire pit.
10. When this fire pit is used with dry, seasoned hardwood, it will burn hotter, more completely.
11. Do NOT burn charcoal briquette, lump charcoal, manufactured logs, driftwood, trash, leaves, papers, cardboard, plywood, painted or stained or pressure treated wood. Avoid using soft-woods such as pine or cedar that can throw sparks.
12. Do NOT alter this fire pit in any manner.
13. Do NOT use this fire pit until it is COMPLETELY assembled and all parts are securely fastened and tightened.
14. Do NOT store or use gasoline or other flammable vapors or liquids in the vicinity of this or any other appliance.
15. Do NOT store or use an LP gas cylinder within 10 feet (3.05m) of this fire pit while it is in operation.
16. Do NOT use this fire pit near automobiles, trucks, vans or recreational vehicles.
17. Do NOT use in an explosive atmosphere. Keep the outdoor area clean and free from combustible materials, gasoline and other flammable liquids.
18. Do NOT use this fire pit under an overhead or near any unprotected combustible constructions. Avoid using near or under overhanging trees and shrubs.
19. Always use this fire pit on a hard level non-combustible surface such as concrete, rock or stone. An asphalt or blacktop surface may not be acceptable for this purpose. Do NOT use on wooden decks.
20. Always empty this fire pit before each use.
21. Do NOT wear flammable or loose clothing when operating this fire pit.
22. Do NOT use in windy conditions.

Assembly Instructions

Step 7: Put the Metal Lid (D) on the fire bowl to use as a table.



MAINTENANCE

To ensure product safety and prolonged product life, thoroughly clean the fire pit after each use. Inspect for any damage (repair if needed). Store the fire pit in a dry place or cover to keep water out.

Allow the fire pit to completely cool before attempting to clean or perform maintenance.

Do not clean any part of the fire pit with abrasive chemicals or oven spray.

CLEANING

Mix warm water with mild dish washing detergent. Using a soft cloth, wipe the fire pit with the cleaning mixture. A nylon brush might be required to remove some stains (or use a citrus based degreaser).

Rinse thoroughly and dry with a soft towel.

INSPECTING

Check that all hardware is tight.

Look for damage or rust on the tables and grid riser post. Repair all damage before using the fire pit again. If rust is found, remove the rust and spray over using a high temperature black paint.

Once the fire is out and the fire pit has completely cooled, remove and properly dispose of ash.

Store the fire pit in a safe, dry place, out of reach from children and pets.

For prolonged life, keep the fire pit covered and dry.

Welcome to share any pictures or videos about this fire pit!

SAFETY INFORMATION

23. Do NOT use gasoline, kerosene, diesel fuel, or lighter fluid to start a fire or enhance an existing fire.
24. Keep all electrical cords away from a hot fire pit.
25. All surfaces of this fire pit are hot when in operation. To avoid burns, do NOT touch the fire pit until it has completely cooled unless you are wearing protective gear (potholders, gloves, BBQ mittens, hot pads & etc). Never touch ashes or coals to see if they are hot.
26. Do NOT leave a lit fire pit unattended, especially around children and pets.
27. Do NOT attempt to move or store this fire pit until ashes and coals are completely extinguished.
28. Do NOT remove ashes or coals until they are completely and extinguished.
29. Use heat-resistant gloves or hot pads when contacting handles.
30. Use long, sturdy fire pit tools when adding or moving logs.
31. Do NOT place wood directly into the bottom of the fire pit. Place wood only on the log rack.
32. Do NOT overload the fire pit. Do NOT add additional firewood until the fire burns down.
33. Do NOT lean over this fire pit when lighting or when in use.
34. Do NOT place hot fire pit tools onto combustible surfaces such as grass, wooden deck or furniture.
35. Avoid breathing smoke from the fire and avoid getting it into your eyes.
36. This fire pit should be thoroughly inspected and cleaned on a regular basis.
37. After a period of storage and/or non-use, check for signs of damage and creosote build-up. Do NOT operate until necessary repairs and/or clean-up are executed.

WARNING: This product can expose you to chemicals including carbon monoxide and carbon black, which are known to the State of California to cause cancer and birth defects or other reproductive harm. For more information go to www.P65Warnings.ca.gov.

SAFETY INFORMATION

WARNING: Before using this outdoor fire pit, please thoroughly read and follow all warnings and instructions written in this manual. Failure to do so may result in death, serious injury, or property damage.

LIGHTING THE WOOD

1. Remove old ash or coals before continuing.
2. Place dry kindling or a natural fire starter in the center of the fire pit.
3. Stack dry and seasoned hardwood around and over the kindling. (Avoid hardwood longer than 18 inches.)
4. Light the kindling or fire starter using a long match.

TENDING THE FIRE

Do NOT use gasoline, kerosene, diesel fuel, lighter fluid or alcohol.
Do NOT place hot tools onto combustible surfaces, such as grass or wooden furniture.
Wear heat-resistant gloves when tending the fire or fire pit. Avoid touching hot surfaces.
Use a long-handled fireplace tool (tongs or poker) to shift logs as needed for complete burning.
Do NOT add additional wood until embers have developed.
To add wood, gently place it onto the embers.

EXTINGUISHING THE FIRE

Allow the fire to burn out. Spread wood/coals/embers apart to help it burn out quicker.
Do NOT leave the fire unattended.
DO NOT use water to extinguish a fire. Doing so could result in injury or damage to the fire pit.

GRILLING OVER THE FIRE

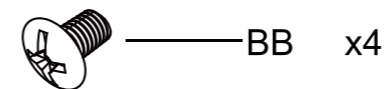
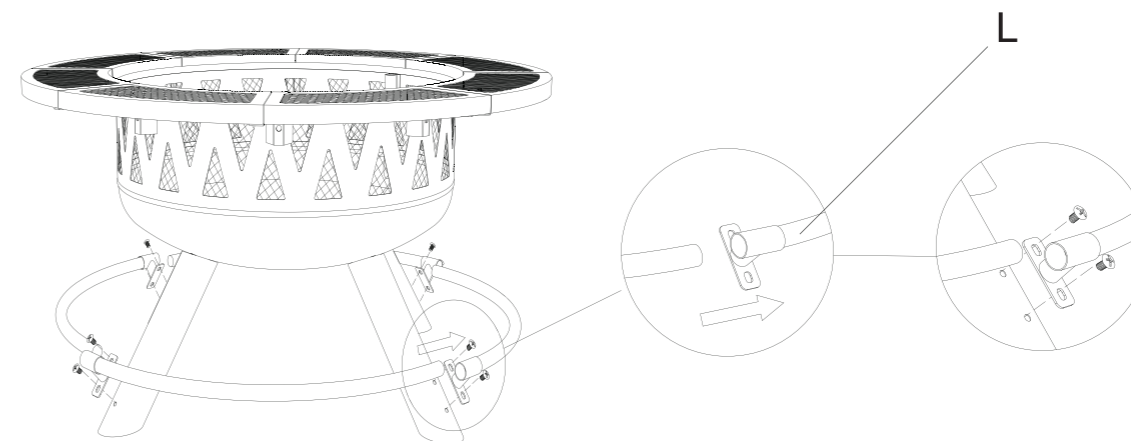
To grill using the swing-away grid, build a suitable bed of embers/coals inside the fire pit.
Position the grid at the desired height.
Pivot the grid so it is centered inside the fire pit and over the heat.

Warning

1. ALWAYS WEAR PROTECTIVE GLOVES/MITTS WHEN MOVING THE GRID. AVOID TOUCHING HOT SURFACES.
2. DO NOT USE WATER TO EXTINGUISH A FIRE.

Assembly Instructions

Step 5: Attach the Support Ring (L) to Legs (H) with M6 x 12mm Bolts (BB).

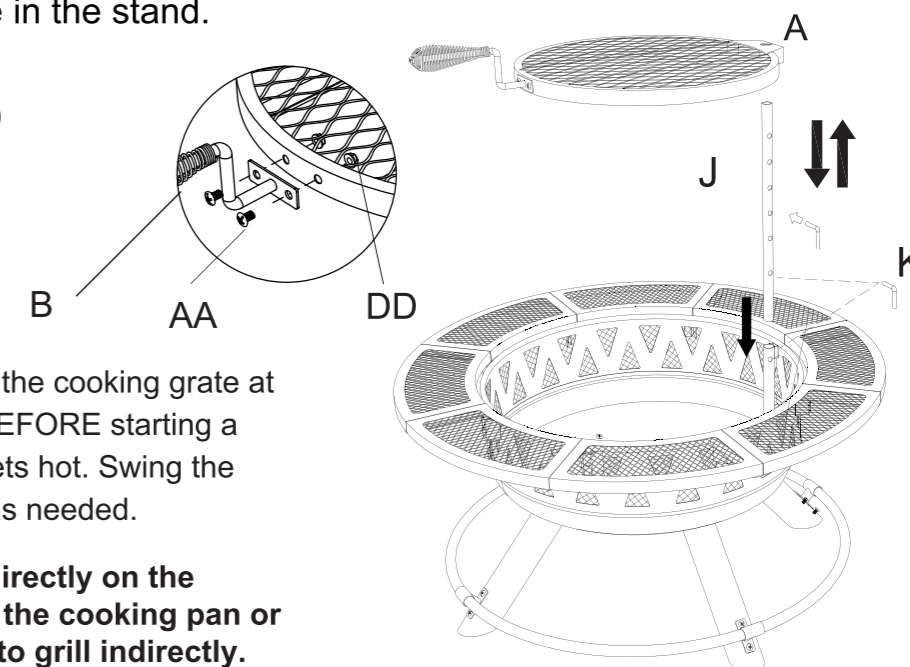


Note: Please tighten all hardware at this time.

Step 6: Insert the Stand (K) on Fire Bowl (G) as illustrated, insert Cooking Grill (A) into Stand (J).


To change the height of cooking grate, simply hold the cooking grate, remove the Pin from the stand. Raise or lower the grate to the desired position and insert the pins into the appropriate hole in the stand.

Attached the Handle (B) to Cooking Grill (A) by using M6 x 12mm Bolts(AA) and Nut(DD).



Note: When possible, place the cooking grate at the correct/desired height BEFORE starting a fire or BEFORE the grate gets hot. Swing the cooking grate into position as needed.

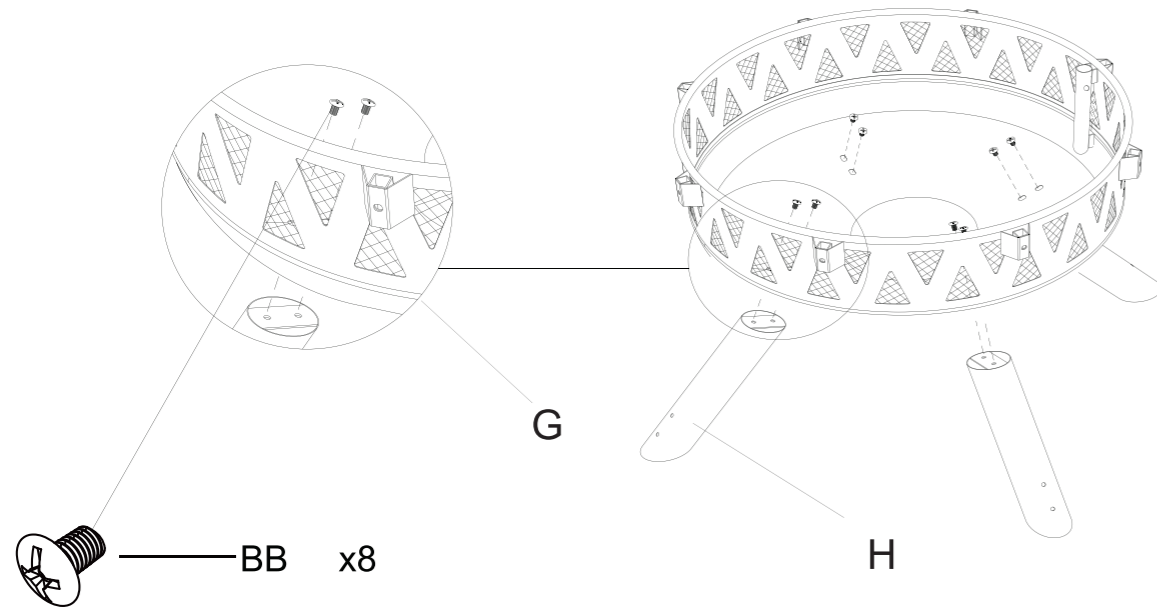
Note: Do NOT bake food directly on the cooking grate, please use the cooking pan or food-grade aluminum foil to grill indirectly.

 WARNING: HOT SURFACES! DO NOT TOUCH ANY HOT SURFACE. WEAR HEAT RESISTANT PROTECTIVE GEAR.

Assembly Instructions

Step 3:

Attach Leg (H) to Fire Bowl (G) with (8) M6 x 12mm bolts (BB).

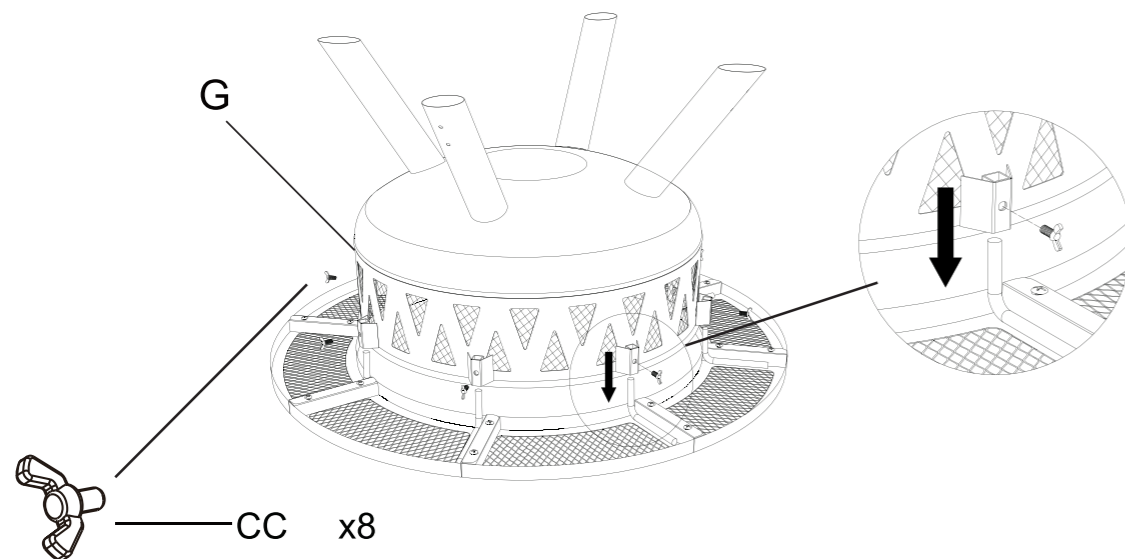


Note: Please DO NOT tighten the hardware at this time

Step 4:

Insert the pins on Table Panels (E,F) into the fixed brackets on the Fire Bowl (G) as illustrated.

Attach Fire Bowl (G) to assembled table top with Wing Bolt (CC).



Note: Please DO NOT tighten the hardware at this time.

! SAFETY INFORMATION

GRILLING TIPS

Build a good bed of hot embers prior to cooking. You can create smoke to add flavor by adding a small amount of wood to the embers.

Adjust the cooking grate as needed to achieve the desired cooking temperature. The grate can be placed in different positions. In addition, the grate swivels, allowing the easy ability to position it over or away from the heat or fire.

Clean the grate after each use. Use vegetable oil to coat the grid after each use to help prevent corrosion.

Note: Do NOT bake food directly on the cooking grate, please use the cooking pan or food-grade aluminum foil to grill indirectly.

**! WARNING: HOT SURFACES! DO NOT TOUCH ANY HOT SURFACE.
WEAR HEAT RESISTANT PROTECTIVE GEAR**

FOOD Safety

To avoid sickness, practice food safety while preparing and cooking any food.

Do NOT mix any raw meats with any cooked food.

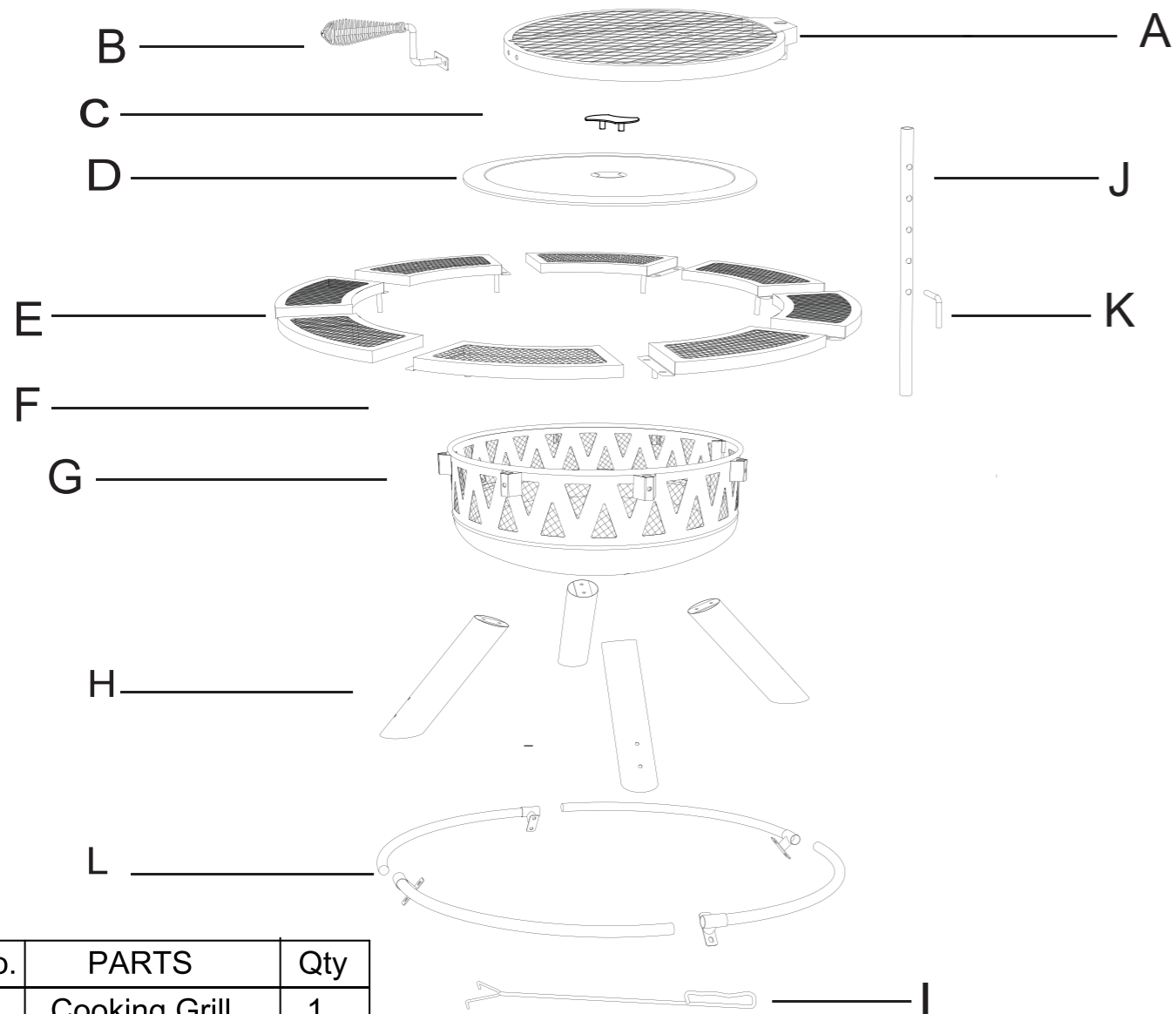
Do NOT reuse pans, serving dishes or utensils after touching raw meats.

Do NOT leave meats at room temperature to thaw. Allow them to thaw over time inside a refrigerator.

Keep all grilling tools, dishes and your hands clean, especially after handling raw meats. Wash using warm soapy water.

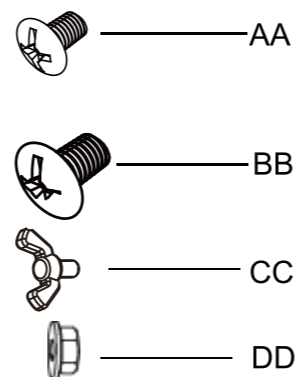
Do NOT eat or serve food that is undercooked.

Parts List



No.	PARTS	Qty
A	Cooking Grill	1
B	Handle	1
C	Lid Handle	1
D	Metal Lid	1
E	Table Panel 1	4
F	Table Panel 2	4
G	Fire Bowl	1
H	Leg	4
I	Poker	1
J	Stand	1
K	L Pin	2
L	Support Ring	4

No.	Hardware	Qty
AA	M5*10mm Bolt	2
BB	M6*12mm Bolt	34
CC	Wing Bolt	8
DD	Nut	2

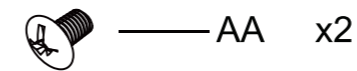
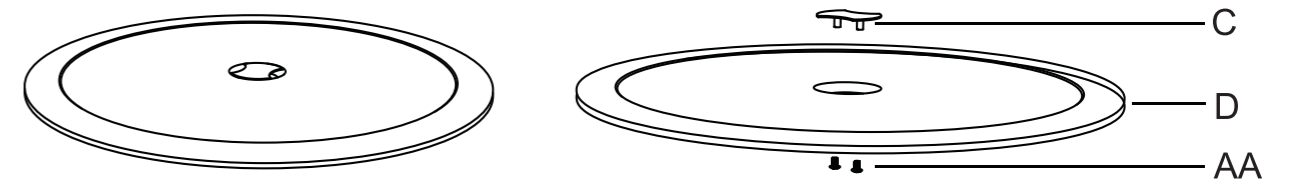


Assembly Instructions

NOTE: Assemble the fire pit on a non-abrasive surface.

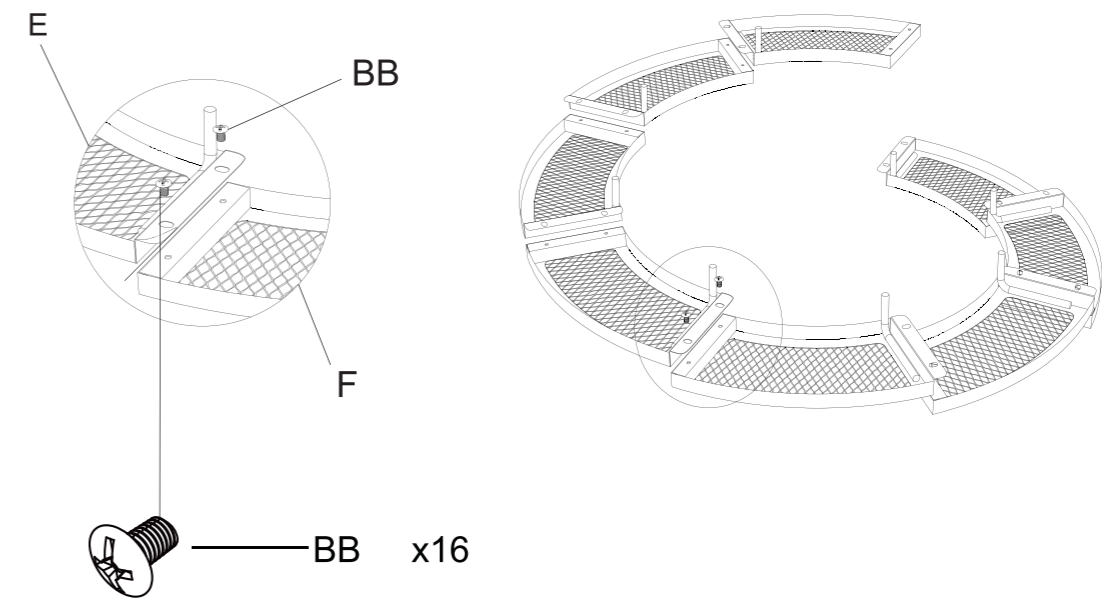
Step 1:

Attach Lid Handle (C) to Metal Lid (D) with (2) M5 x 10 bolts (AA).



Step 2:

Attach Table Panel 1 (E) to Table Panel 2 (F) with (16) M6 x 12mm bolts (BB).



Note: Please DO NOT tighten the hardware at this time.