



Leaders in Reception Seating

Lesro Industries, Inc.
1 Griffin Road South
Bloomfield, CT
06002

Phone 860.243.3226
Fax 860.243.5392
www.lesro.com

Assembly Instructions

Darsey Guest, Bariatric, Loveseat and Sofa

Tools required: 9/16" ratchet and Phillips screwdriver.

Note: These instructions are intended for various models and configurations. Your products may not look exactly as those shown in the diagrams.

Important: The assembly process requires that some hardware be kept loose until later in the sequence. Follow these instructions closely to ensure correct assembly.

Recommendation: Retighten all bolts on a seasonal basis to ensure your product remains strong and stable for many years of use.

Weight Capacity: Darsey Guest chairs have a weight capacity of **500 lbs.**, Bariatric **750 lbs.**, Loveseats **600 lbs.**, and Sofas **700 lbs.**, unless otherwise stated.

Hardware Packs

Armless Guest

3" Hex Bolts	4 pcs
Washers	4 pcs
Phillips Screws	7 pcs

Armless Loveseat

3" Hex Bolts	6 pcs
Washers	6 pcs
Phillips Screws	9 pcs

Armless Sofa

3" Hex Bolts	8 pcs
Washers	8 pcs
Phillips Screws	11 pcs

Section 1 - Armless Guest, Loveseat and Sofa

1. Unpack and identify all parts.
2. Set steel leg frame upright on floor or work table.
3. Slide back assembly onto back legs, as shown in figure 1. Leg uprights insert into openings in rear corners of back assembly. Slide down until back assembly rests on steel cross tubes.
4. Secure back assembly to steel frame with a single Phillips screw, as shown in figure 2. Tighten securely using care not to strip.
5. Place seat onto leg frame and secure to back assembly using washers and 3" hex bolts into threaded inserts, as shown in figure 3. Align sides of seat with sides of back and tighten bolts securely.
6. Center seat over front legs so that overhang is equal on both sides, as shown in figure 4. Secure seat and back to steel frame using Phillips screws. Tighten securely using care not to strip.
7. Continue to Section 2 if your chair has arms. If not, your armless chair is now assembled and ready to use.

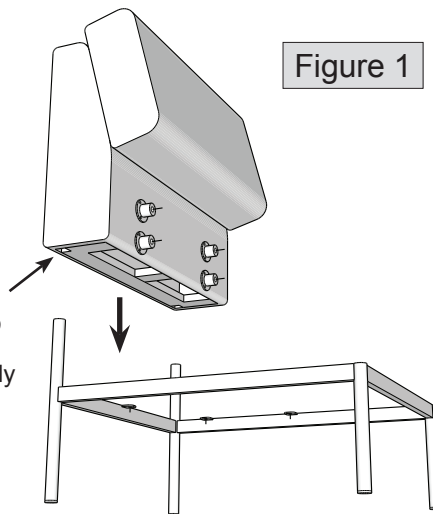


Figure 1

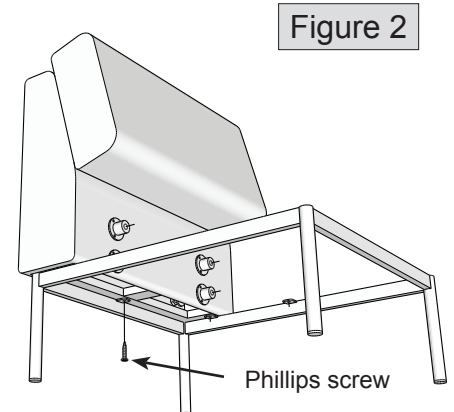


Figure 2

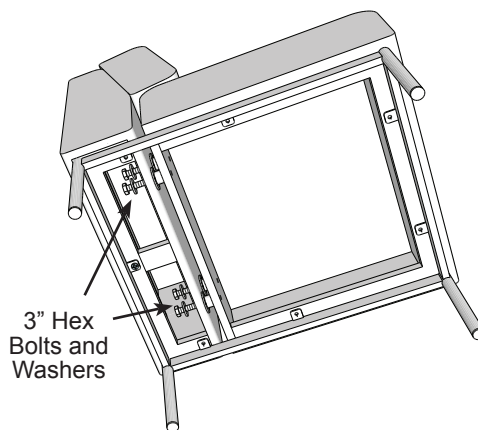


Figure 3

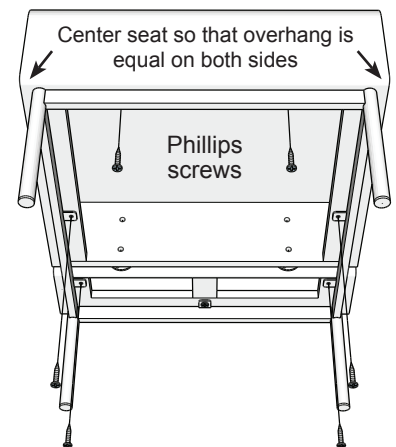


Figure 4

Thank you for purchasing a Lesro product.
Need assistance with assembly? Call Lesro customer service 1-800-275-7545.
Visit us on-line at www.lesro.com



Leaders in Reception Seating

Lesro Industries, Inc.
1 Griffin Road South
Bloomfield, CT
06002

Phone 860.243.3226
Fax 860.243.5392
www.lesro.com

Assembly Instructions

Darsey Guest, Bariatric, Loveseat and Sofa

Tools required: 9/16" ratchet and Phillips screwdriver.

Note: These instructions are intended for various models and configurations. Your products may not look exactly as those shown in the diagrams.

Important: The assembly process requires that some hardware be kept loose until later in the sequence. Follow these instructions closely to ensure correct assembly.

Recommendation: Retighten all bolts on a seasonal basis to ensure your product remains strong and stable for many years of use.

Weight Capacity: Darsey Guest chairs have a weight capacity of **500 lbs.**, Bariatric **750 lbs.**, Loveseats **600 lbs.**, and Sofas **700 lbs.**, unless otherwise stated.

Hardware Packs

Guest

3" Hex Bolts	10 pcs
Washers	10 pcs
Phillips Screws	7 pcs

Bariatric

3" Hex Bolts	10 pcs
Washers	10 pcs
Phillips Screws	8 pcs

Loveseat

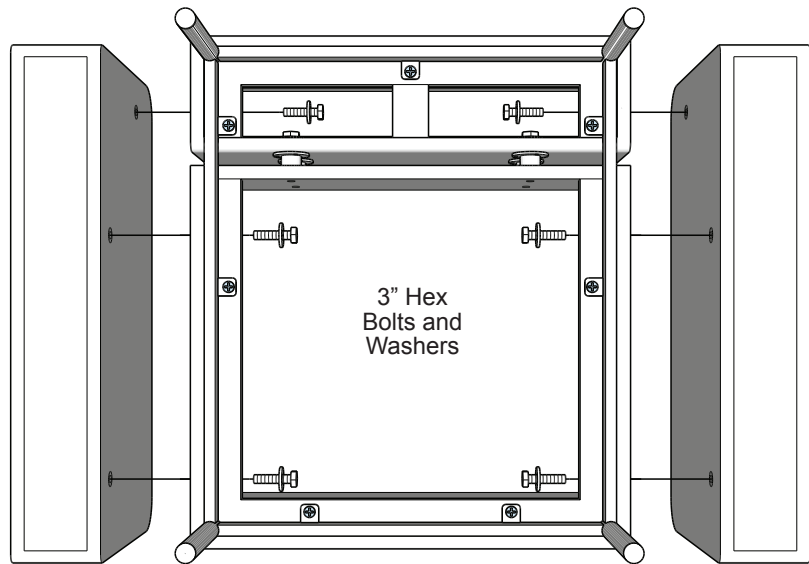
3" Hex Bolts	12 pcs
Washers	12 pcs
Phillips Screws	9 pcs

Sofa

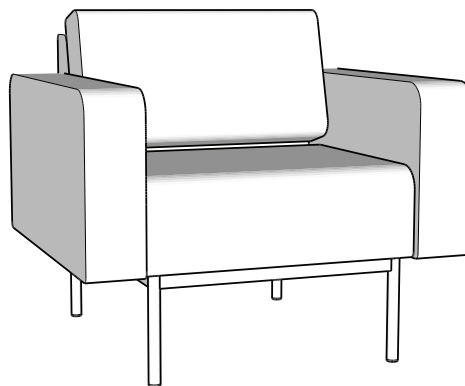
3" Hex Bolts	14 pcs
Washers	14 pcs
Phillips Screws	11 pcs

Section 2 - Guest, Bariatric, Loveseat and Sofa with Arms

Figure 5



1. Follow instructions in Section 1 to attach seat to back.
2. Attach arms to seat using hex bolts and washers into threaded inserts, as shown in figure 5. Start each bolt first, until all have caught a few threads, then finger tighten only. Align bottom edges of arms with bottom edges of seat and back.
3. Tighten all bolts securely.
4. Your product is now assembled and ready to use.



Thank you for purchasing a Lesro product.
Need assistance with assembly? Call Lesro customer service 1-800-275-7545.
Visit us on-line at www.lesro.com