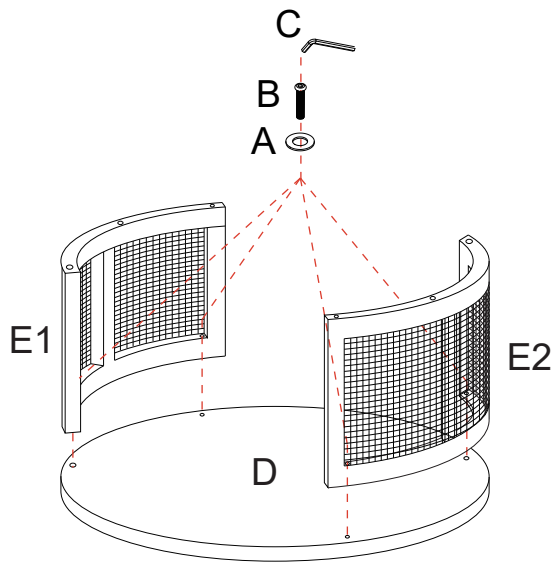
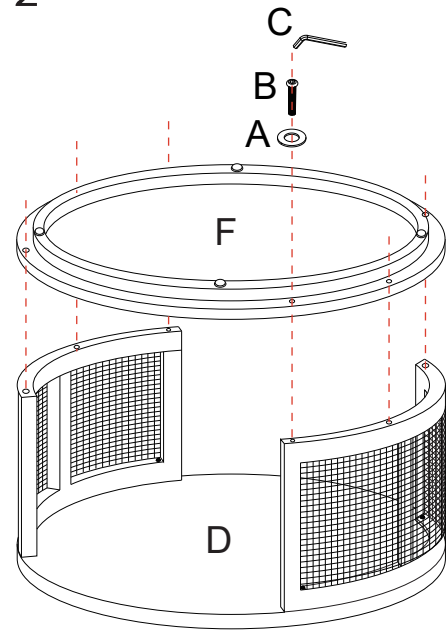


ASSEMBLY INSTRUCTIONS

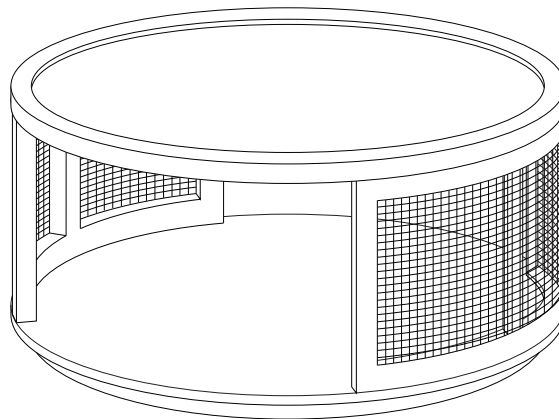
STEP 1



STEP 2



STEP 3



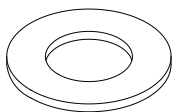
Step1: Rotate panel D 180°, align side panels E1 and E2 with the screw holes of panel D, then use accessory C to fix side panels E1 and E2 to panel D respectively after passing accessory B through accessory A in sequence;

Step2: Rotate bottom plate F 180°, align with the screw holes of side panels E1 and E2 respectively, then use accessory C to fix bottom plate F to side panels E1 and E2 after passing accessory B through accessory A in sequence;

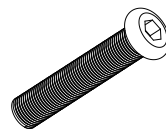
Step3: Check if the screws are tight; after installation is completed, rotate the table 180°, and it can be used normally after being placed stably.

Please use the accessories according to the number of screw holes on the table. The extra accessories are for backup.

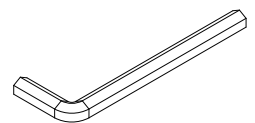
Ax12



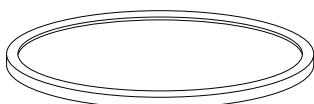
Bx12



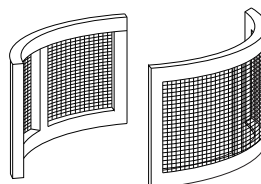
Cx1



Dx1



E1x1
E2x1



Fx1

