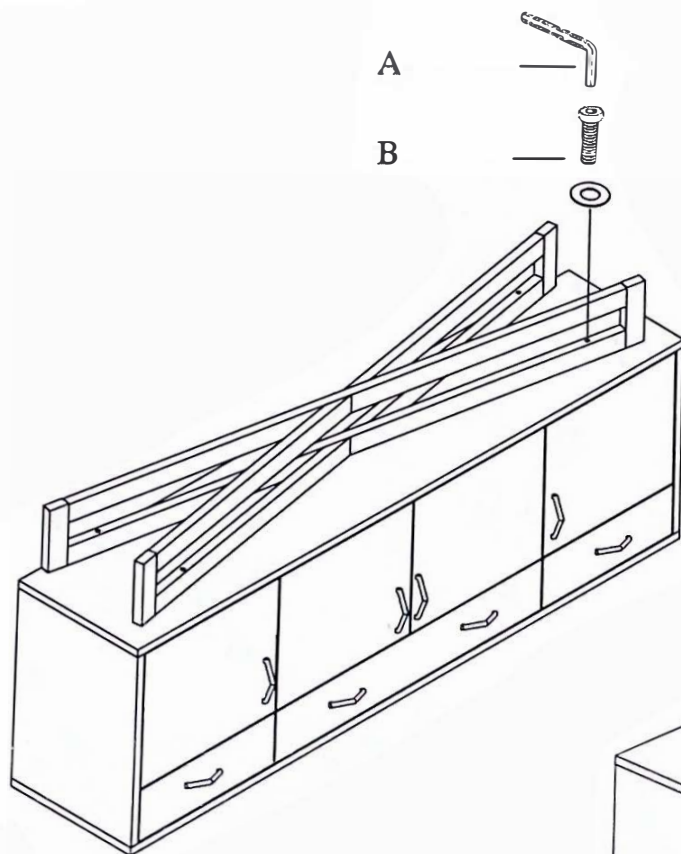
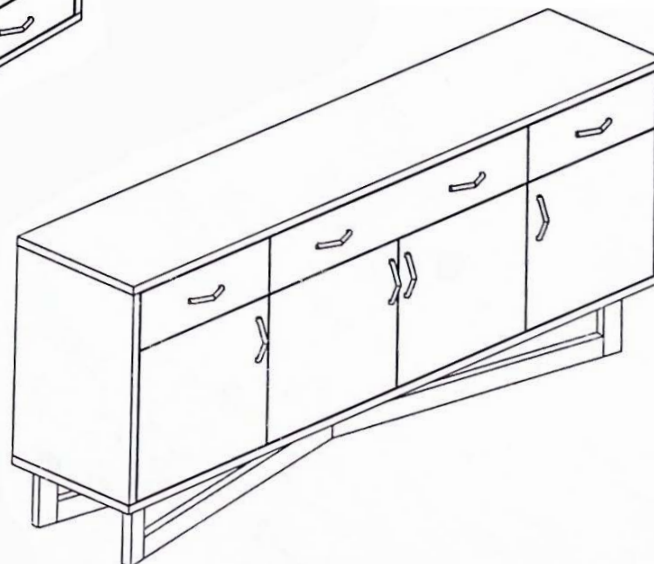


Assembly Instruction

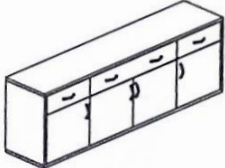

STEP 1






STEP 2



PARTS LIST

NO.	DESCRIPTION	QTY
1		1
2		1

HARDWARE LIST

NO.	DESCRIPTION	Q.T.Y
A	  M8 x 80	4
B	 P5	1