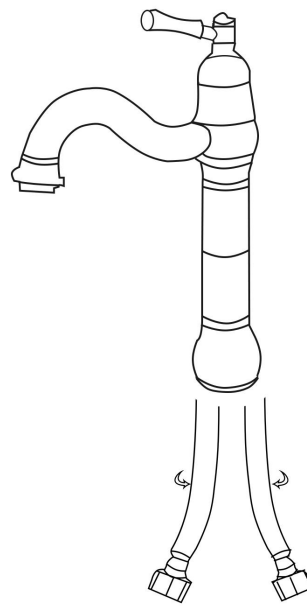
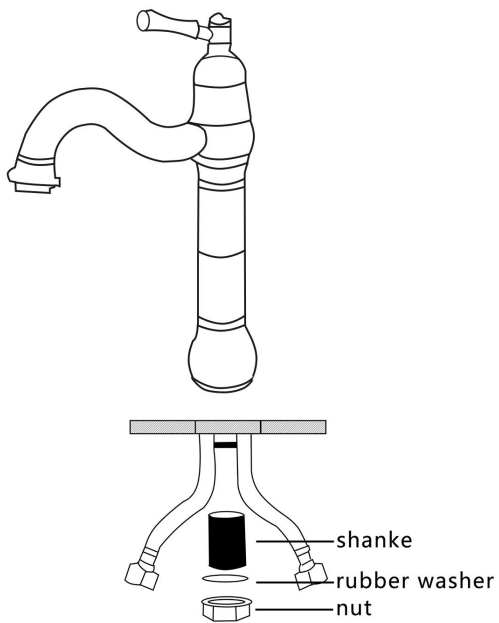


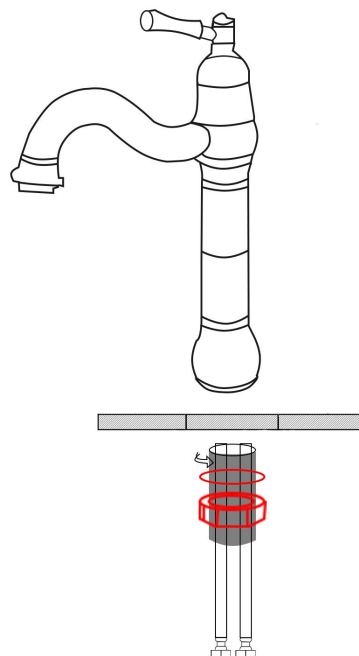
Step 1 :
Before install the faucet please check all the parts included in the box and make sure the O-ring has put in the faucet



Step 2:
Screw and hand tighten the hot and cold flexible hoses to the faucet, Just align the hose with the connection port of the faucet, turn the hose clockwise and make sure it can' t rotate anymore



Step 3: Put the faucet through the center hole and prepare the shanke , rubber washer and nut one by one



Step 4 :
Re-install the rubber washer followed by the rubber washer and lock nut ,Hand tight,then tighten futher using the wrench to tighten the lock nut screws