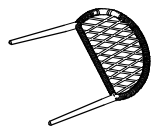


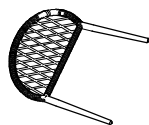
ASSEMBLY INSTRUCTIONS

PARTS AND HARDWARE

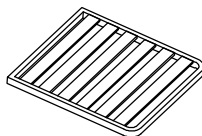
Avoid using sharp objects such as a knife to cut open packing as you may accidentally damage the upholstery.



A:3PCS
Left Arm



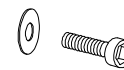
B:3PCS
Right Arm



C:2PCS
Seat



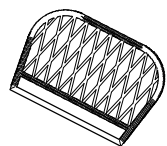
M6*40
G:24PCS
Bolt and washer



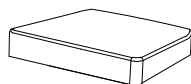
M6*15
O:16PCS
Bolt and washer



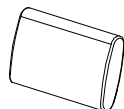
H:1PC
Allen Key



D:2PCS
Backrest



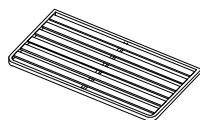
E:2PCS
Seat Cushion



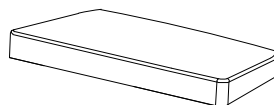
F:4PCS
Back Cushion



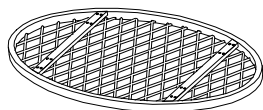
I:1PC
Lovesofa Backrest



J:1PC
Lovesofa Seat



K:1PC
Seat Cushion



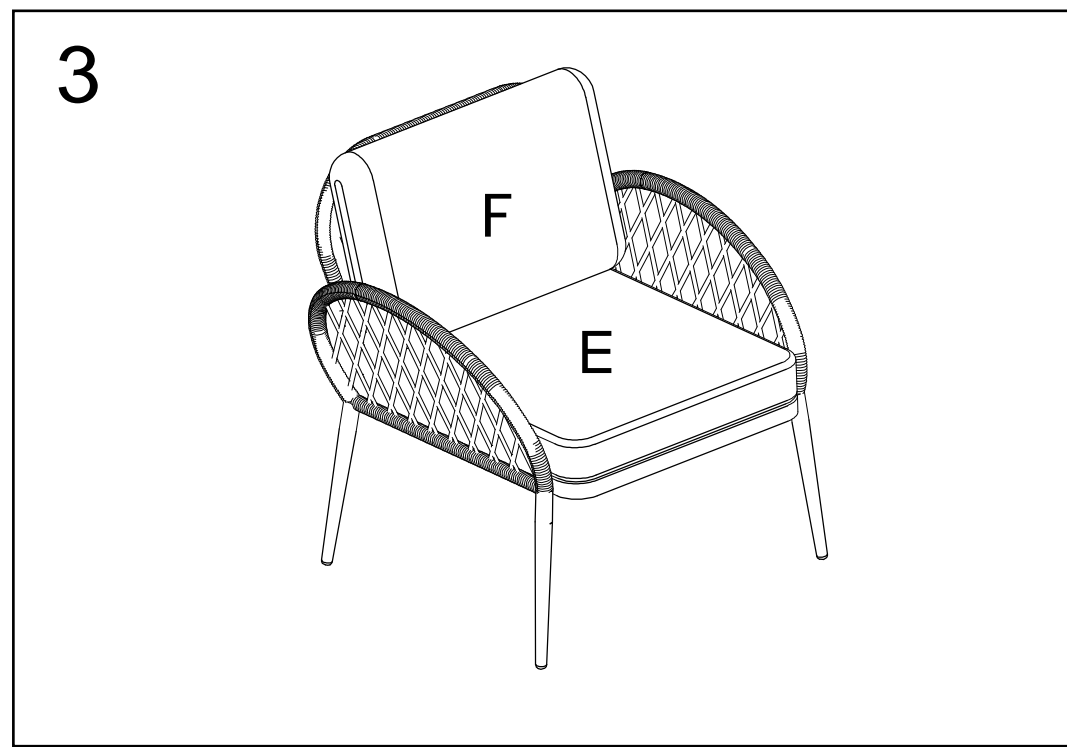
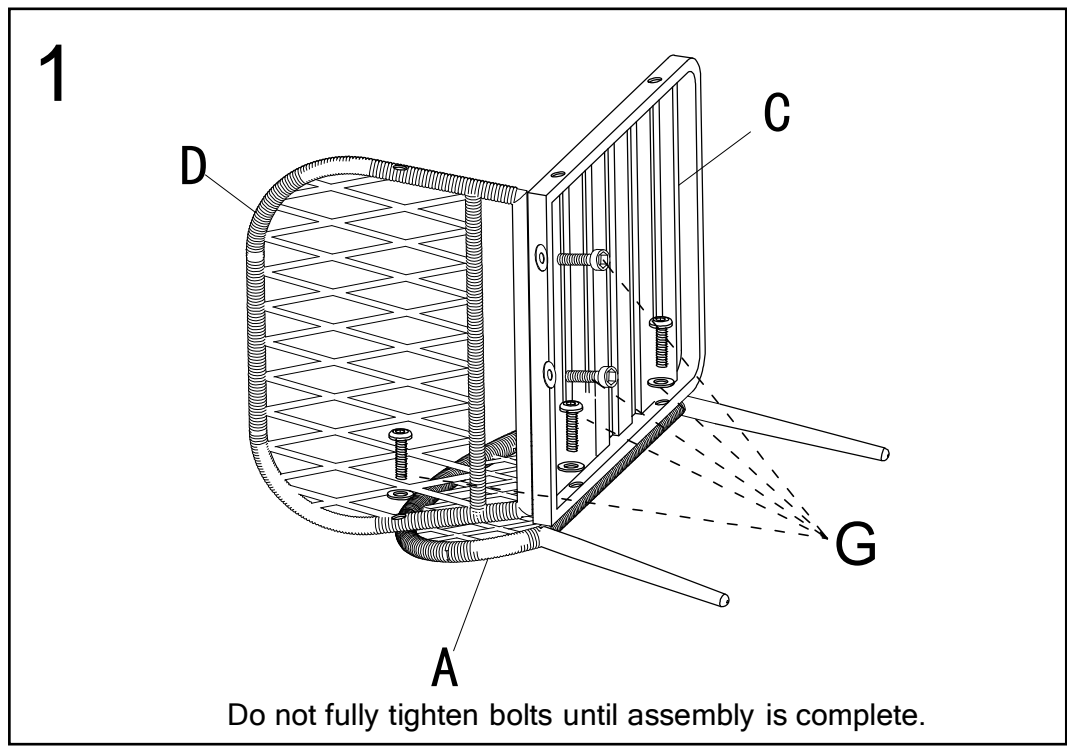
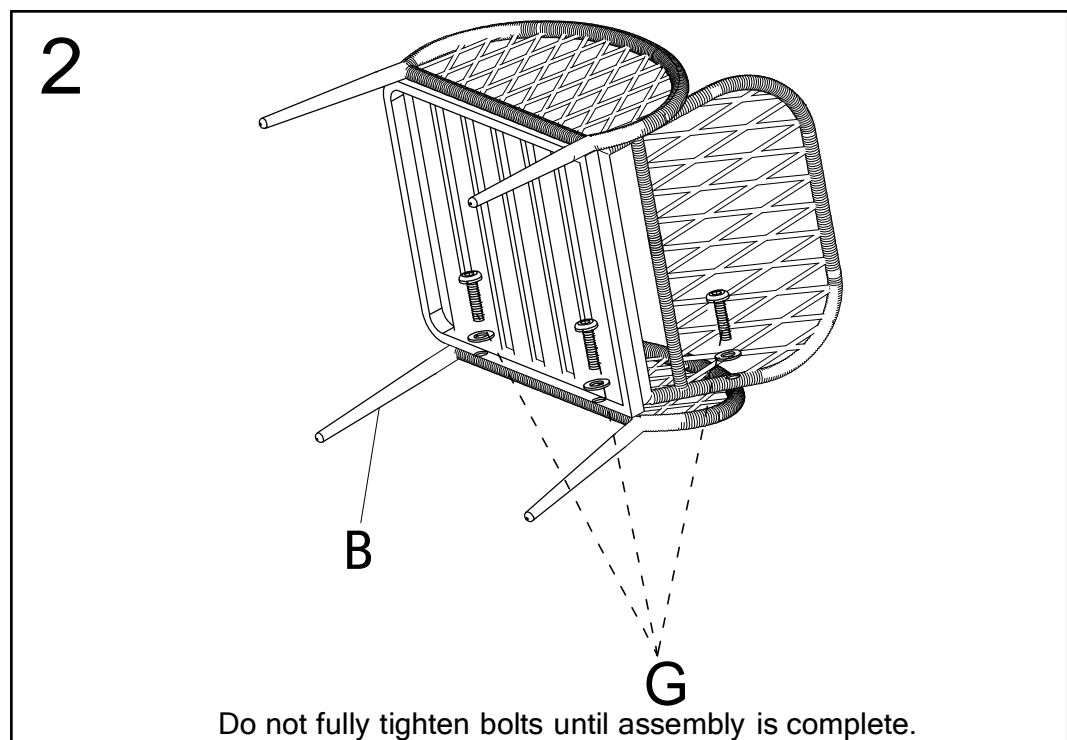
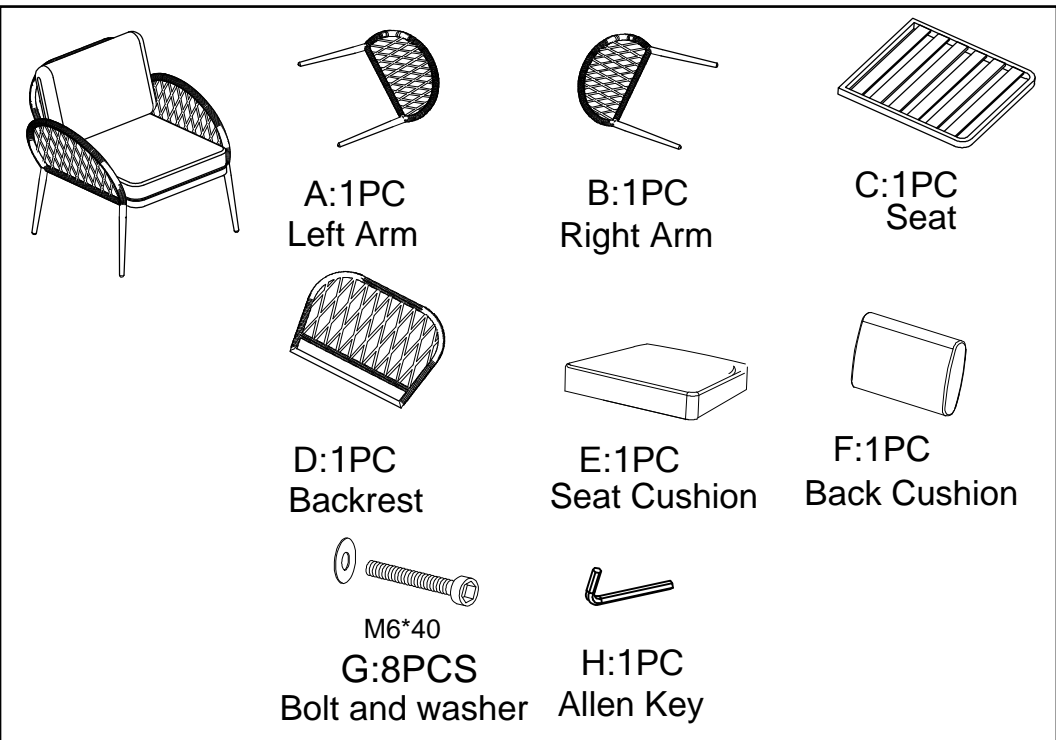
L:1PC
Table Top

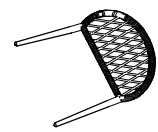


M:4PCS
Table Leg

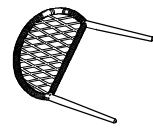


N:1PC
Table Glass

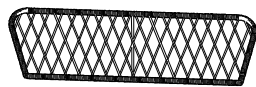




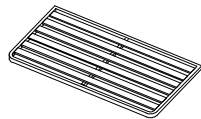
A:1PC
Left Arm



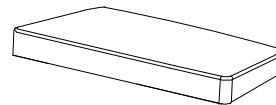
B:1PC
Right Arm



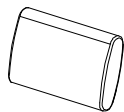
I:1PC
Lovesofa Backrest



J:1PC
Lovesofa Seat



K:1PC
Seat Cushion



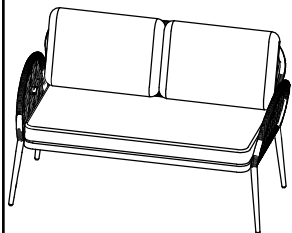
F:2PCS
Back Cushion



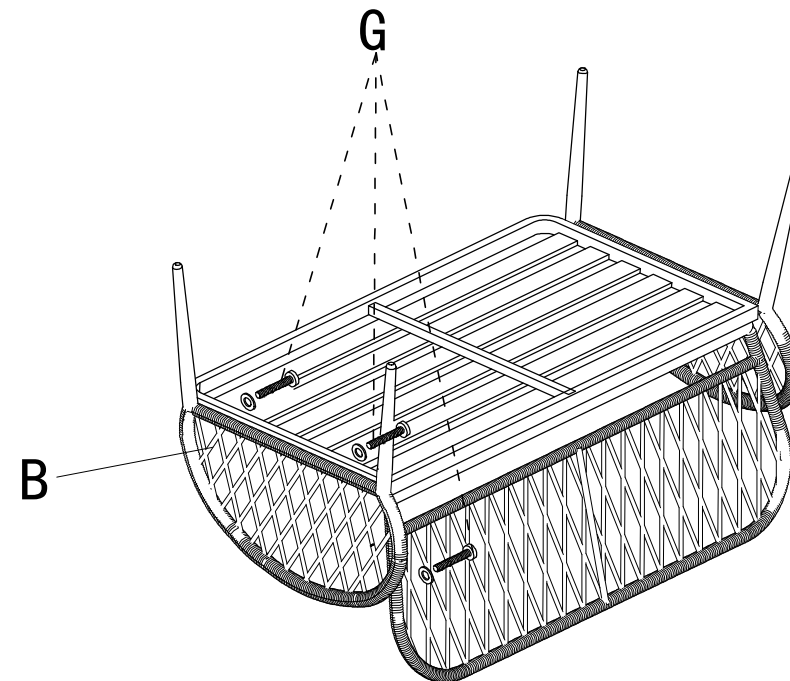
M6*40
G:8PCS
Bolt and washer



H:1PC
Allen Key

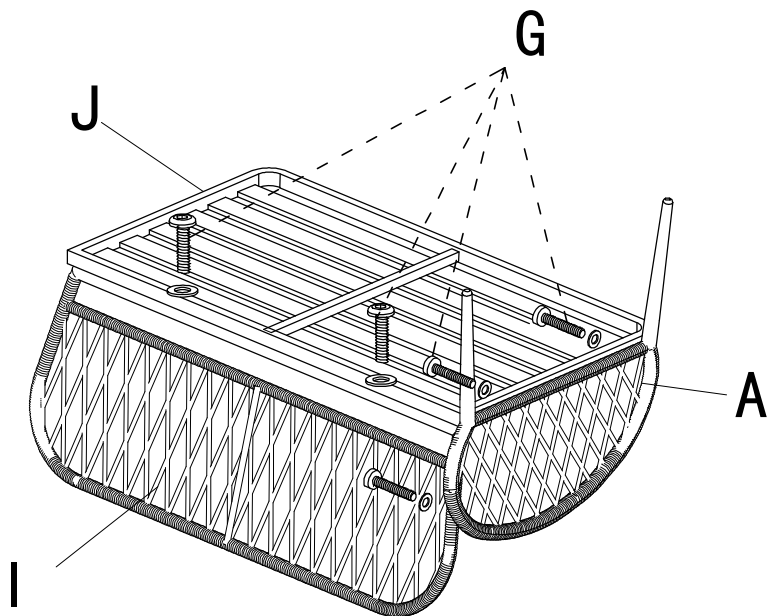


5



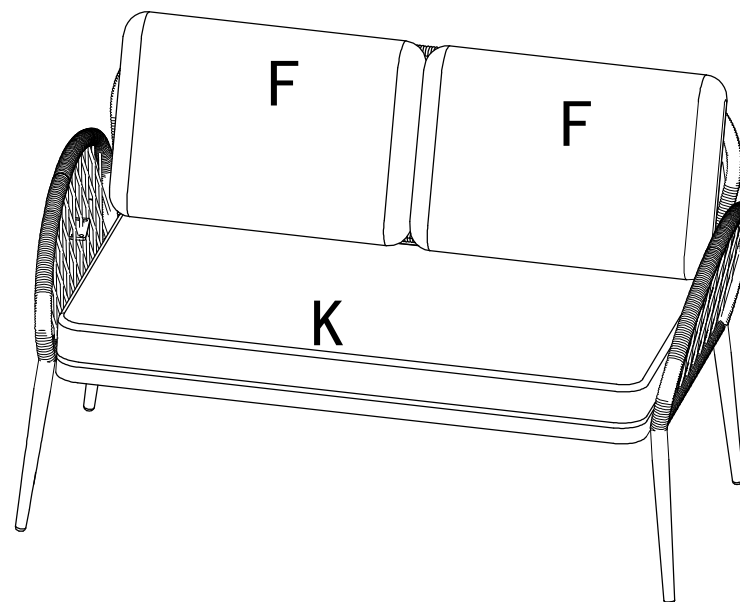
Do not fully tighten bolts until assembly is complete.

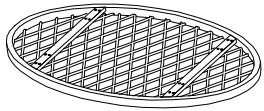
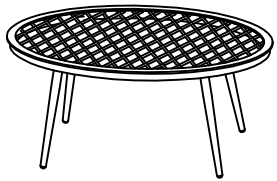
4



Do not fully tighten bolts until assembly is complete.

6

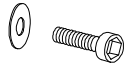




L:1PC
Table Top

M:4PCS
Table Leg

N:1PC
Table Glass

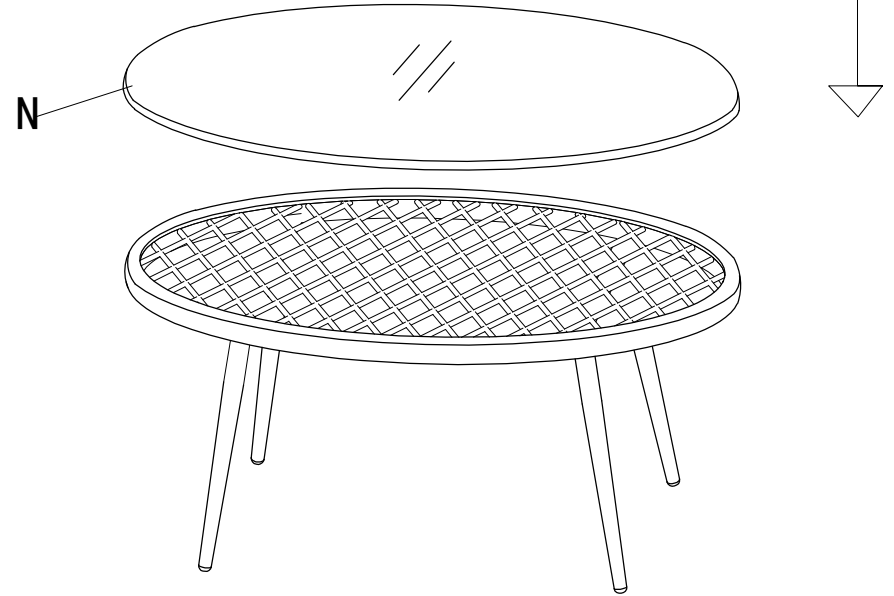


M6*15
O:16PCS
Bolt and washer



H:1PC
Allen Key

8



7

