

INSTRUCTION

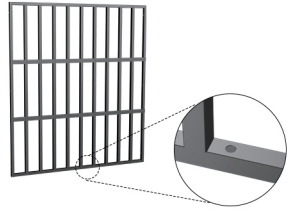
INSTRUCTION



A x1



B x2



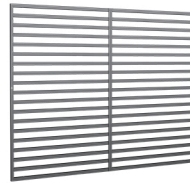
C x1



D x1



E x1



F x1

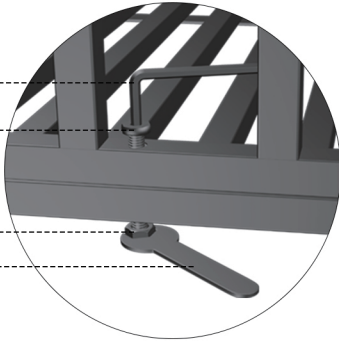


K

H

J

M



G x4



H x22



M6x35mm

I x1



J x24



K x1



L x1

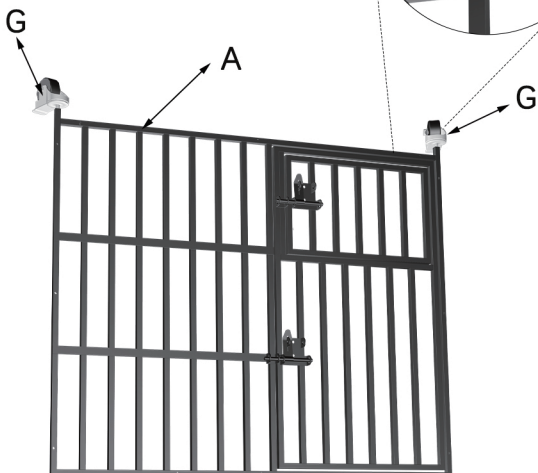
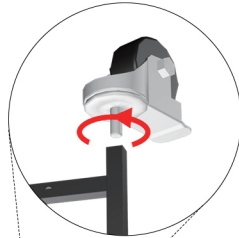


M x1



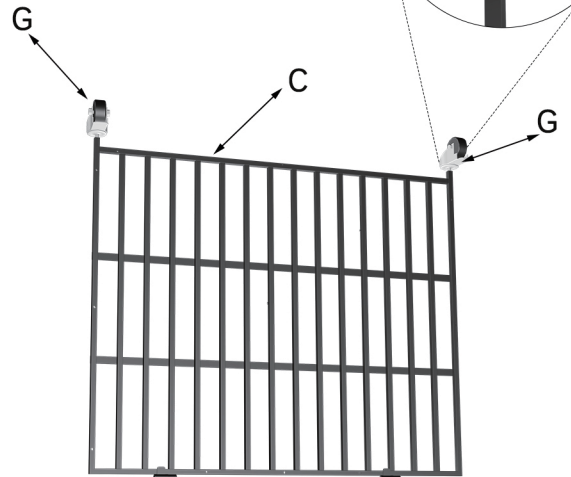
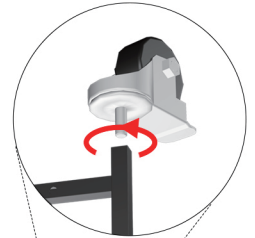
1

G x2



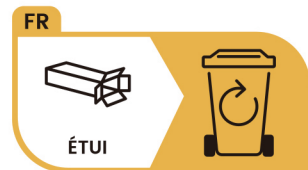
2

G x2



UK REP

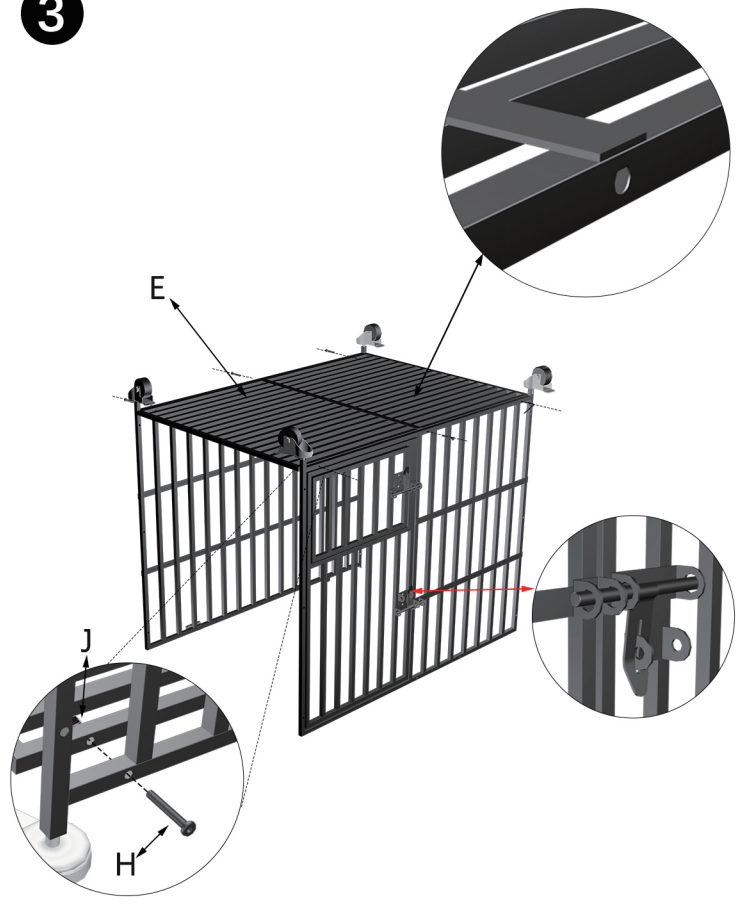
EC REP



FR

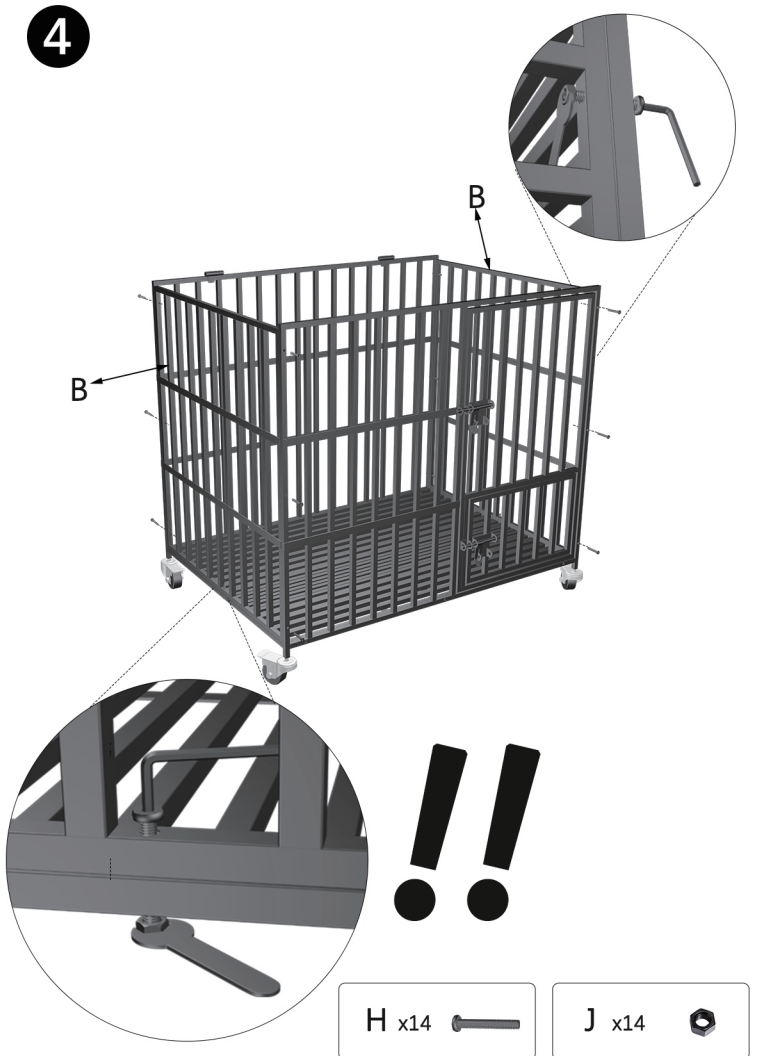


3



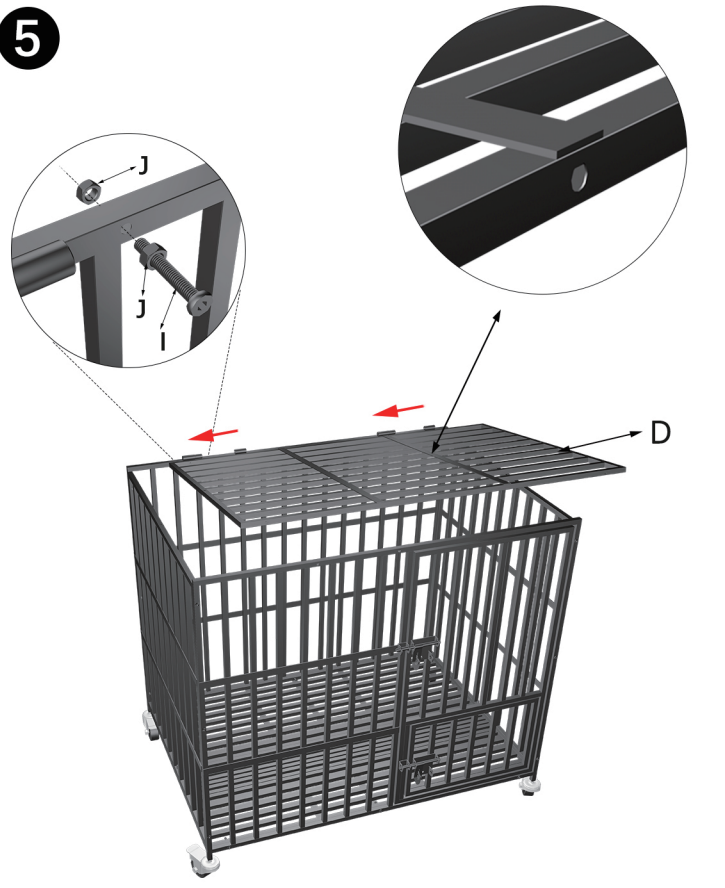
- H x6
- J x6

4



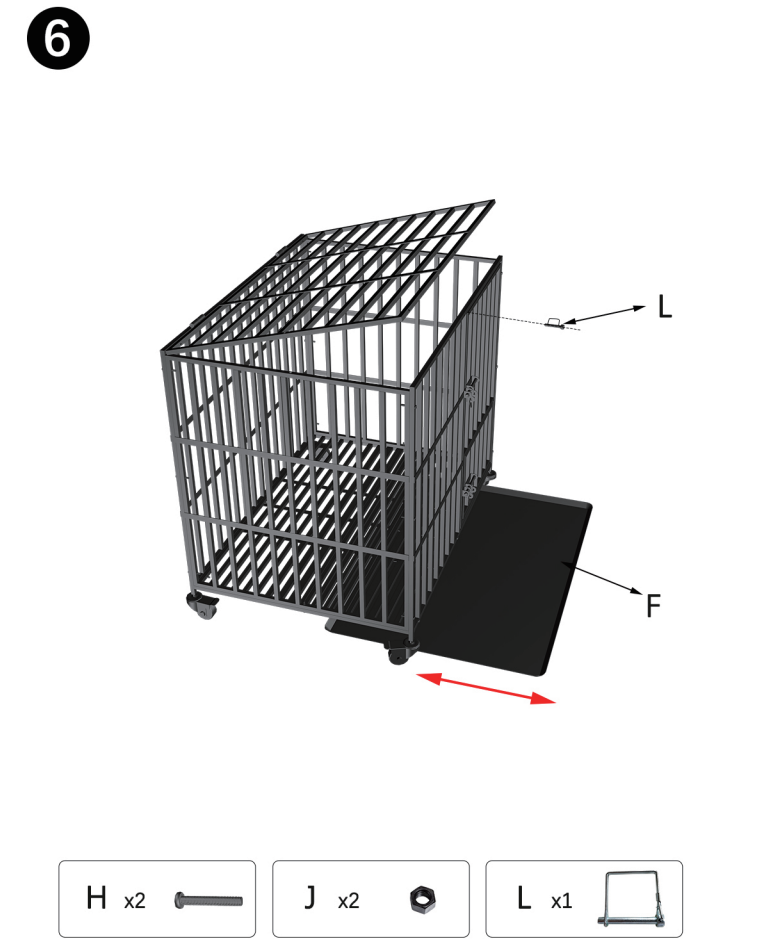
- H x14
- J x14

5



- I x1
- J x2

6



- H x2
- J x2
- L x1