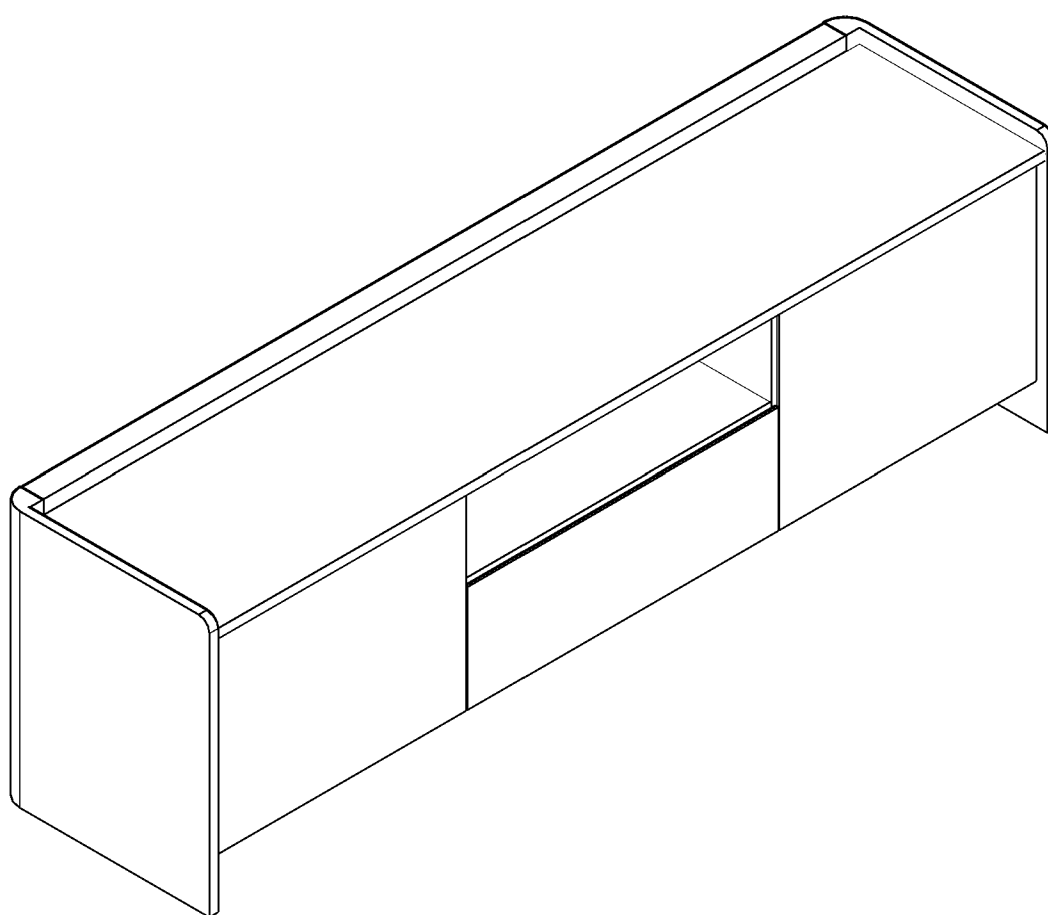


LuxenHöme

TV Stand and Console

SKU WHIF2677



ASSEMBLY INSTRUCTIONS



90 min. assembly
2 person

* The estimated assembly time may vary depending on the individual.

Hey, there

Now is assembly time!

Deeeeep breathe.... and again....
Tools ready,
Easy peasy!

Estimated



90 min. assembly
2 person

Tools Required

- Allen Wrench(included)
- Phillips screwdriver(not included)
- Hammer(not included)
- Power Drill(not included)
- Drill bit(not included)

important.Cautious when you use power tools

Need Help?

- Call us at +1 909 548 6688
- Email customerservice@luxenhome.com
- Submit a ticket on www.luxenhome.com/help

Thank you for purchasing this LuxenHome product. This product has been manufactured with the highest standards of safety and quality.

PLEASE READ ALL INSTRUCTIONS CAREFULLY BEFORE ASSEMBLY.

Unpack all parts from the packaging inside the carton to ensure there are no missing or damaged parts. Lay out all the parts on a clean, flat, and soft surface to prevent scratches. Refer to the steps provided as assembling guide. Do not attempt to assemble or use the product if any parts are missing or damaged. Please save this manual for future reference.

REMINDERS

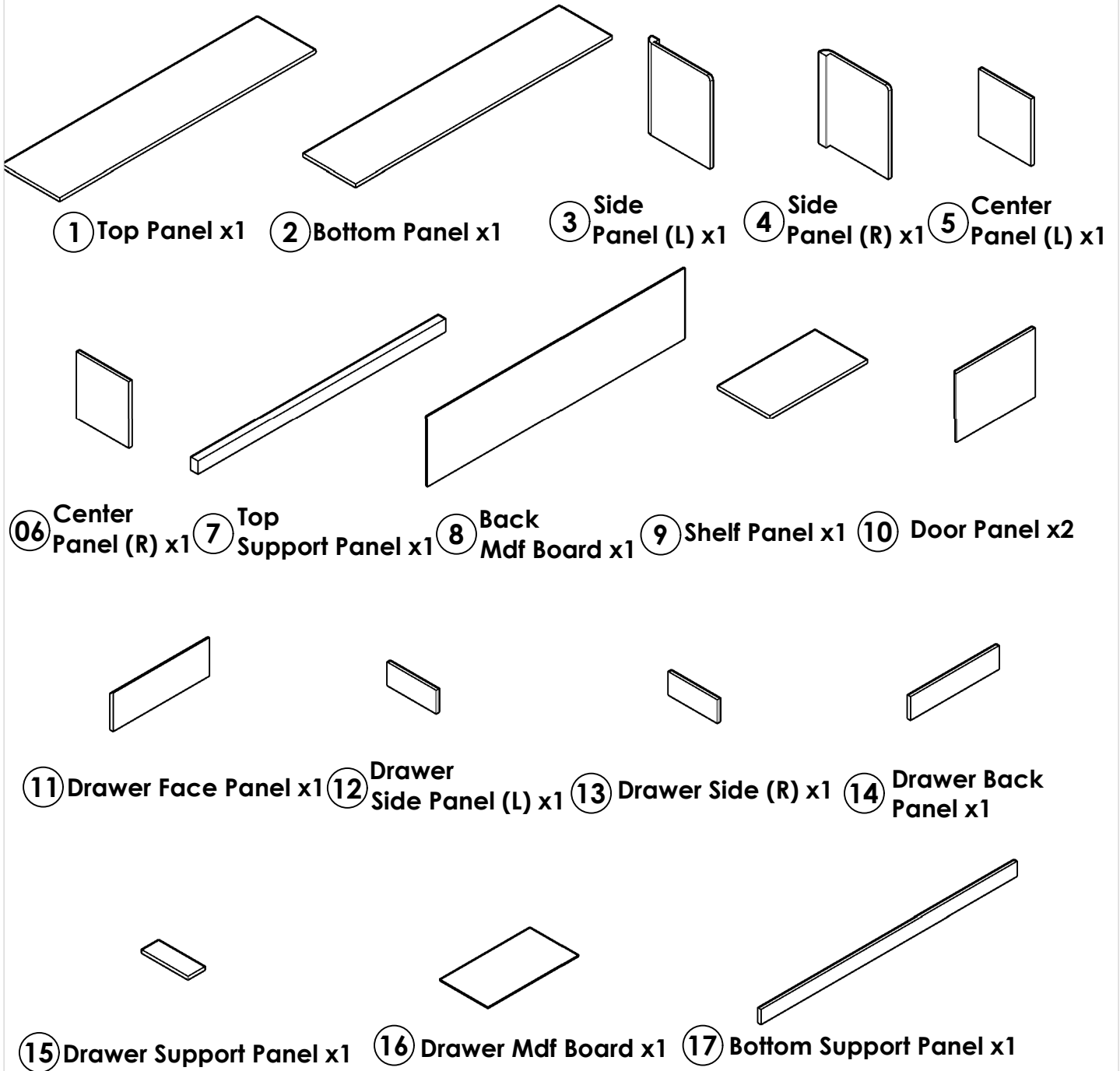
SAFE USAGE IS KEY

Your well-being is our top priority when you use our product. Please prioritize your safety by diligently following the assembly guidelines and inspecting the product carefully both when it arrives and before each use. Please be aware that LuxenHome and Winsome House, Inc. cannot be held liable for any injuries or fatalities that occur due to not adhering to the provided instructions or misuse of the product.

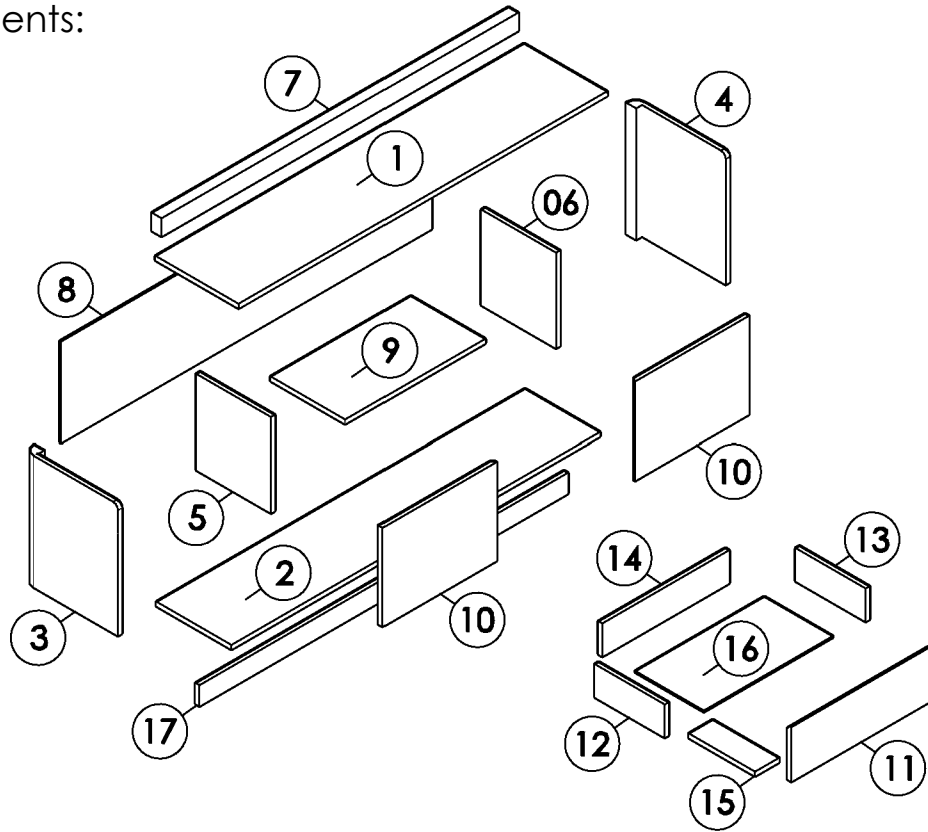
DO NOT MODIFY

Our products undergo rigorous testing to ensure they meet established safety standards before being released for sale. Altering the product in any way can lead to serious safety concerns, for which LuxenHome cannot assume responsibility.

Furniture components:



Furniture components:



Provided hardware:



A Cam Pin x18



B Cam Lock x18



C Wood Dowel
M8x30MM x34



D White Leg Pin x6



E1 Drawer Slide 12" x1



E2 Screw
M3.5x16MM x26



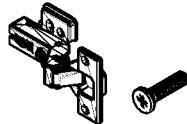
F Screw M6x50MM x4



G Screw
M4x38MM x4





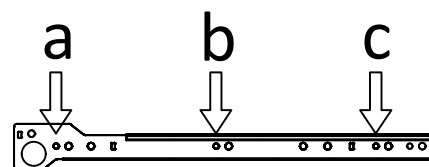
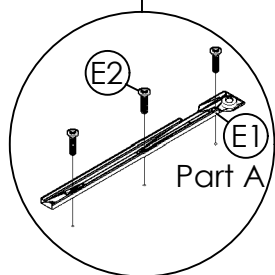
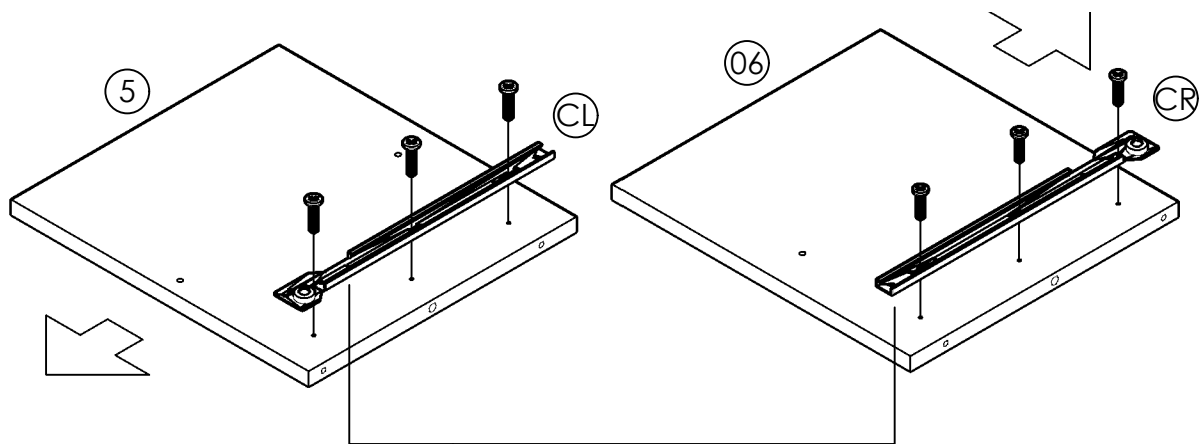
H Allen Key x1



SH Hydraulic Hinges 7/8" x4
78 Screw
M3.5x16MM x24

Step 1

(E1) x1	(E2) x6
	
	M3.5x12MM



Screw in hole a,b and c

CL for panel (5)

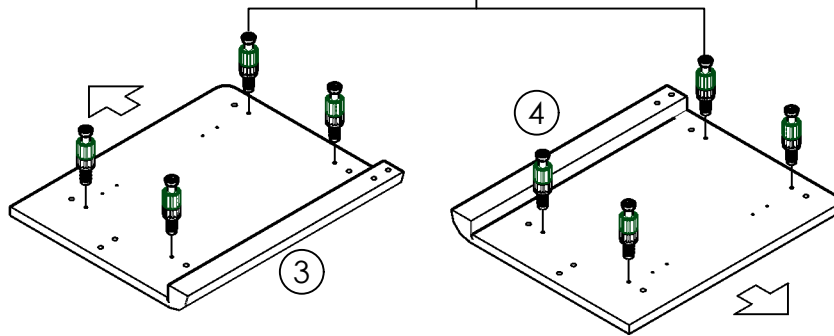
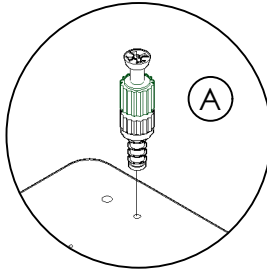
CR for panel (06)

Note: Please find the CL and CR steel seals on the tracks.

Step 2

(A) x8	(B) x4	(C) x4

Installation Cam Pin:
Please insert the screw
on panel using a screwdriver.

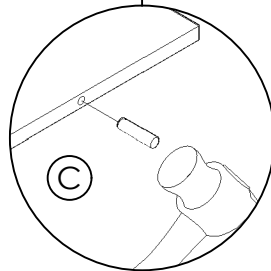
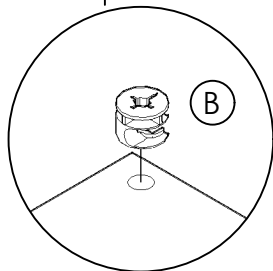
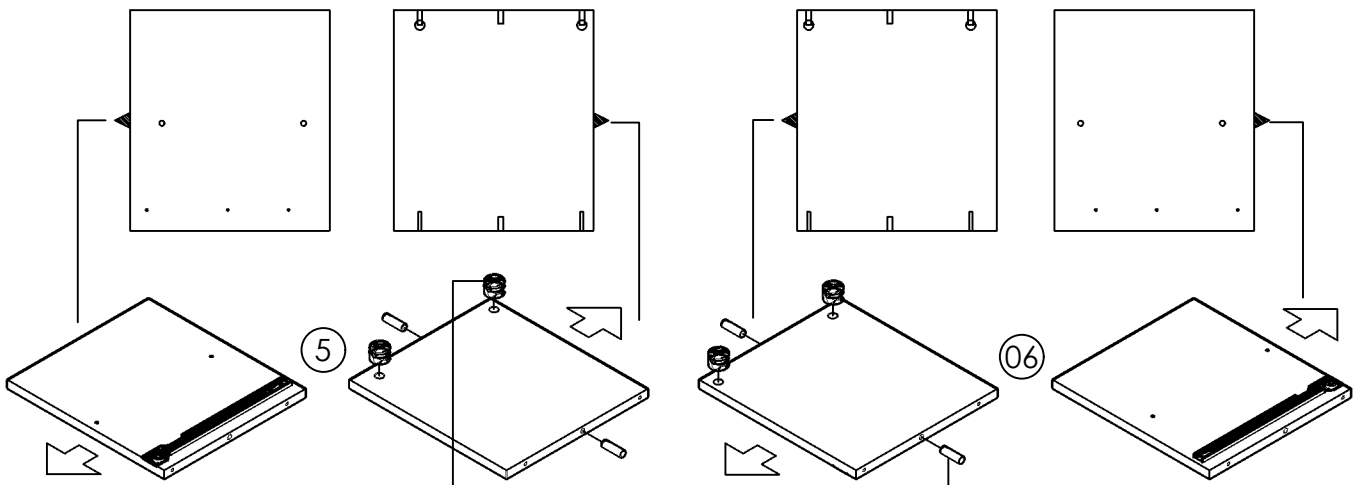


Left View:

Right View:

Left View:

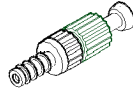


Right View:

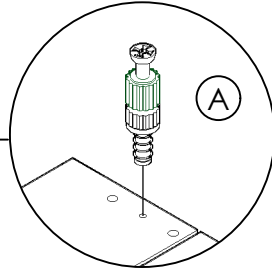


Installation Hardware:

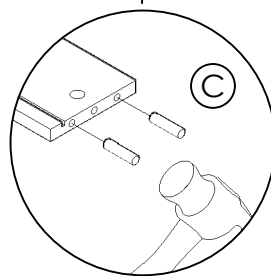
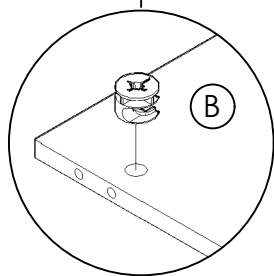
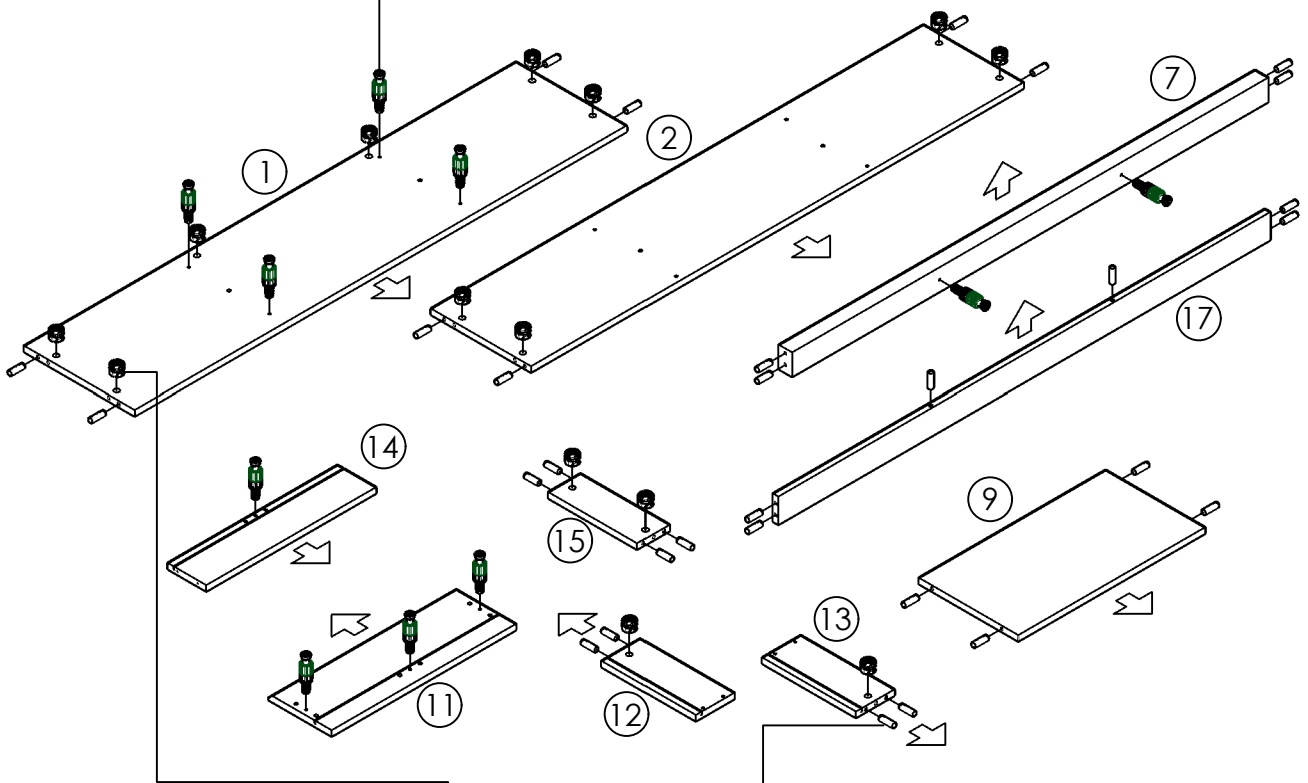
As Shown, Please using the hammer to insert the cam lock (B), wood dowel (C) into hole of panel.

Step 3

(A) x10	(B) x14	(C) x30
		

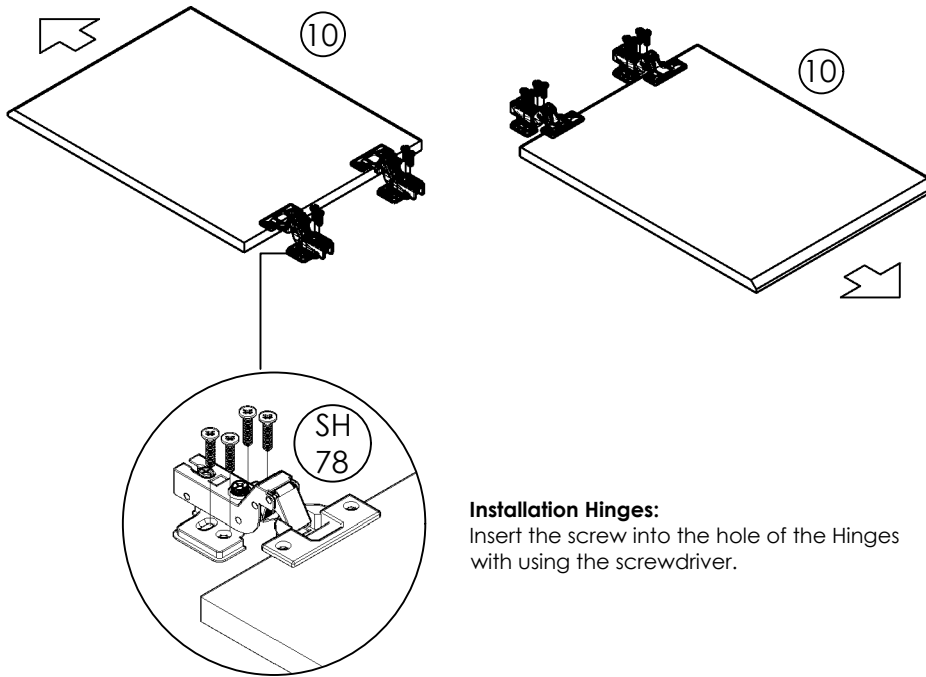


Installation Cam Pin:
Please insert the screw
on panel using a screwdriver.



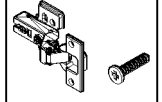
Installation Hardware:
As Shown, Please using the hammer to insert the
cam lock (B), wood dowel (C) into hole of panel.

Step 4

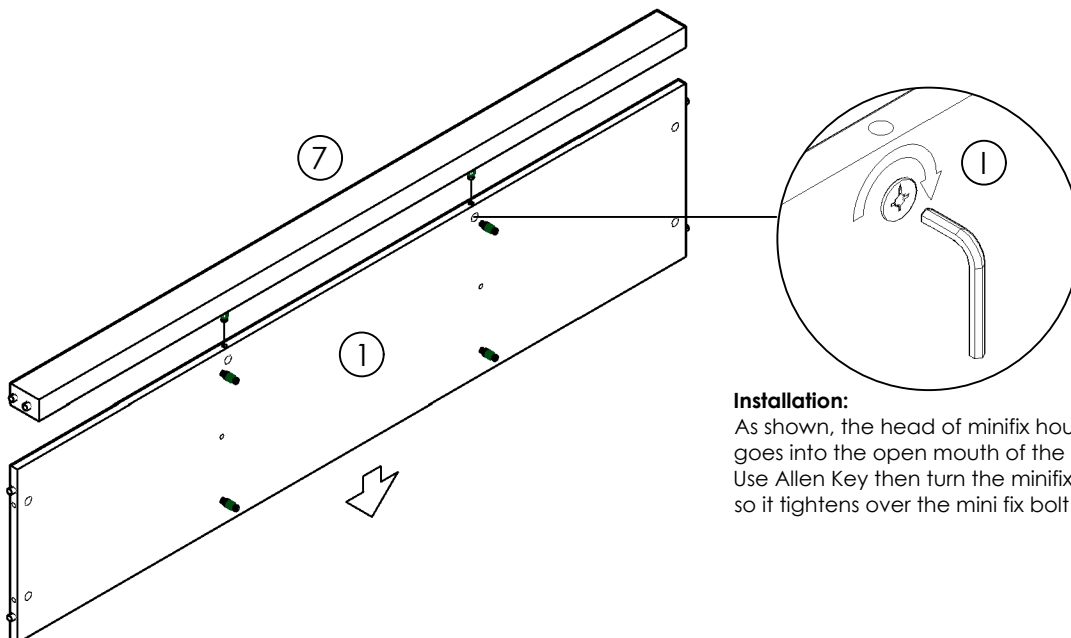


Installation Hinges:
Insert the screw into the hole of the Hinges with using the screwdriver.

SH 78 x4

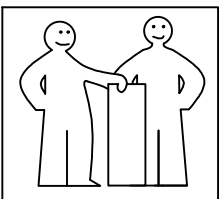


Step 5

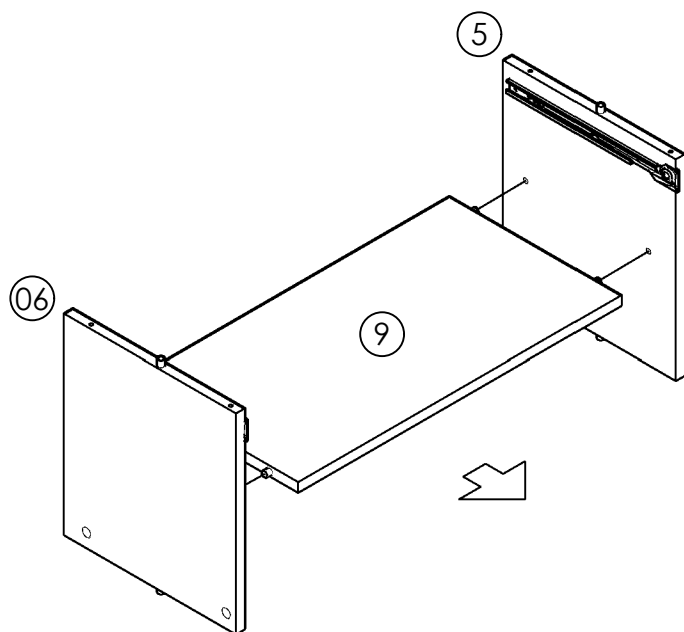


Installation:
As shown, the head of minifix housing goes into the open mouth of the mini fix bolt. Use Allen Key then turn the minifix housing so it tightens over the mini fix bolt.

H x1



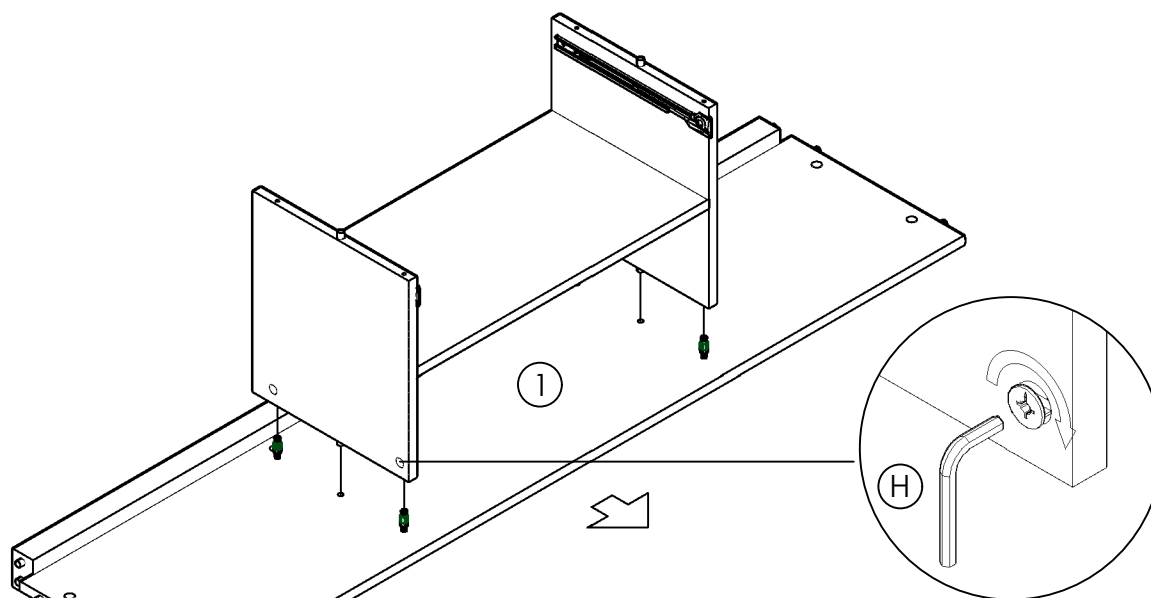
Step 6



Joining Part in the stand Position:

As shown, stand the panel on the position to attach together the component No 5 and 06 with the component No 9 into the hole.

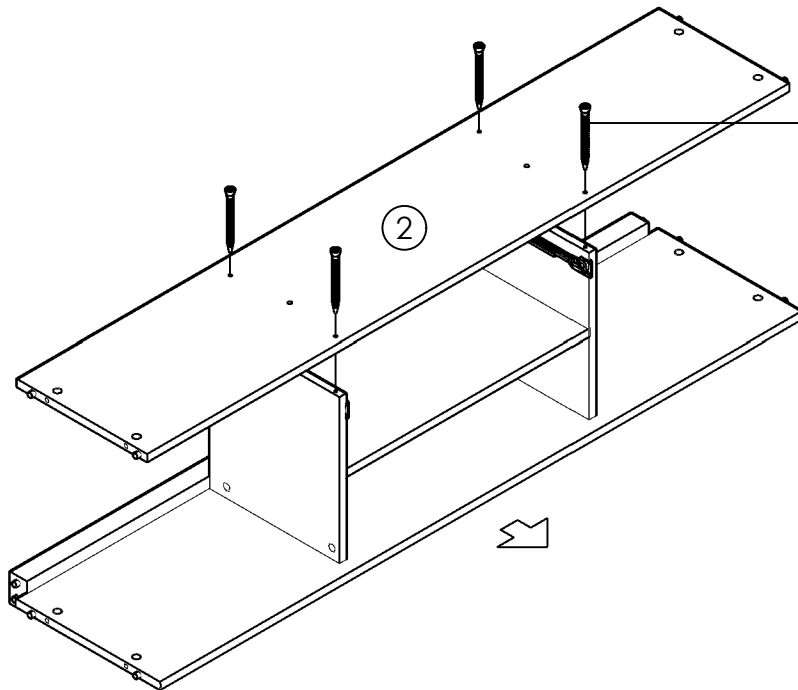
Step 7


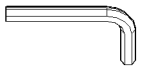


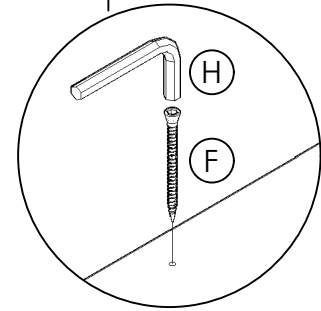
Installation:

As shown, the head of minifix housing goes into the open mouth of the mini fix bolt. Use Allen Key then turn the minifix housing so it tightens over the mini fix bolt.

Step 8



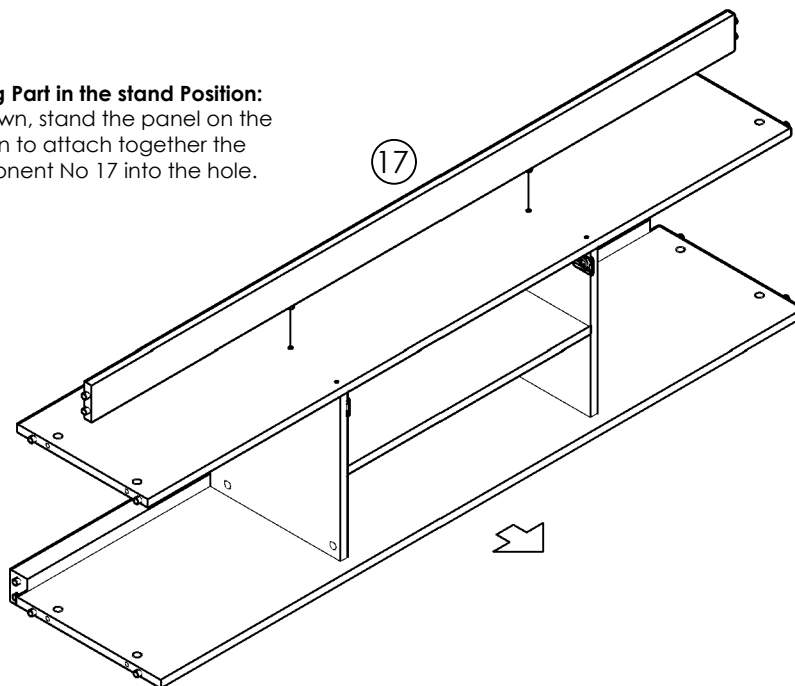
(F) x4	(H) x1
 M6x50MM	



Installation Screw:
Please insert the screw (F)
on the hole using an allen key.

Step 9

Joining Part in the stand Position:
As shown, stand the panel on the
position to attach together the
component No 17 into the hole.



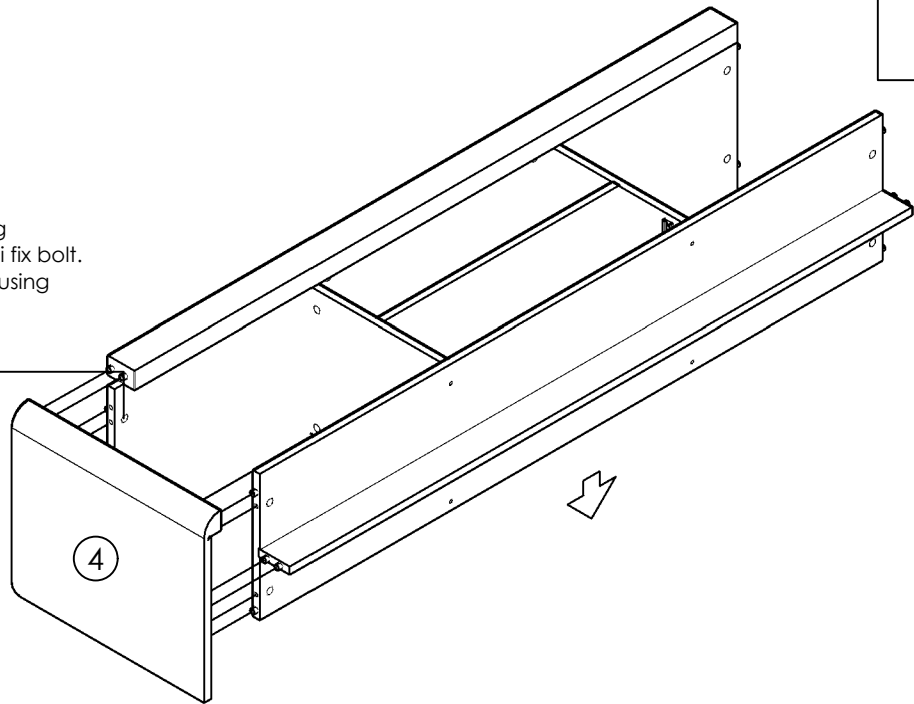
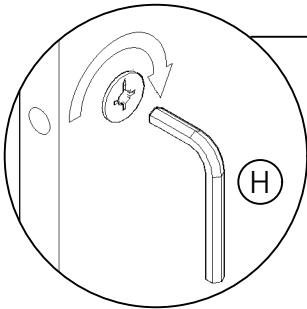
Step 10

(H) x1



Installation:

As shown, the head of minifix housing goes into the open mouth of the mini fix bolt. Use Allen Key then turn the minifix housing so it tightens over the mini fix bolt.



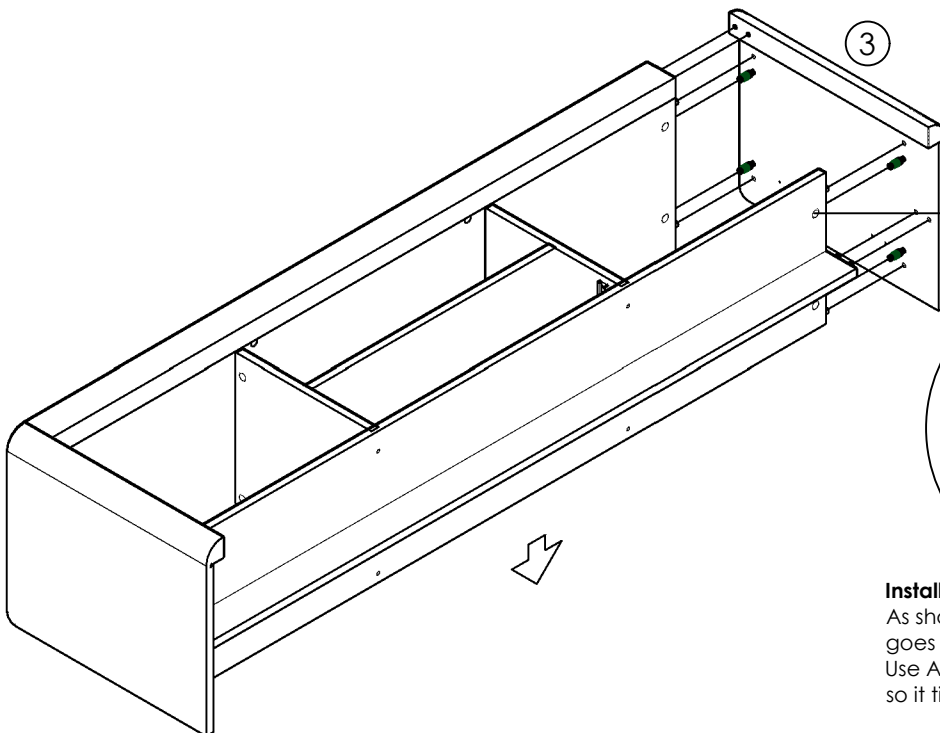
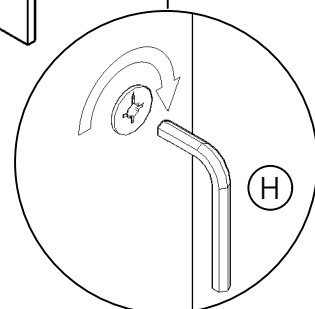
Step 11

(H) x1

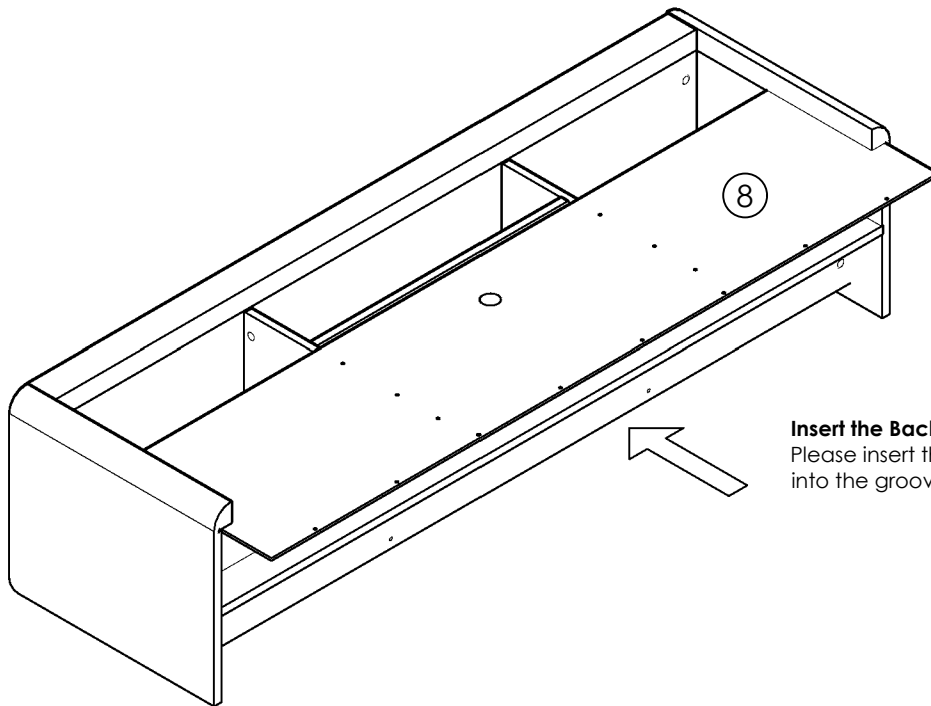


Installation:

As shown, the head of minifix housing goes into the open mouth of the mini fix bolt. Use Allen Key then turn the minifix housing so it tightens over the mini fix bolt.

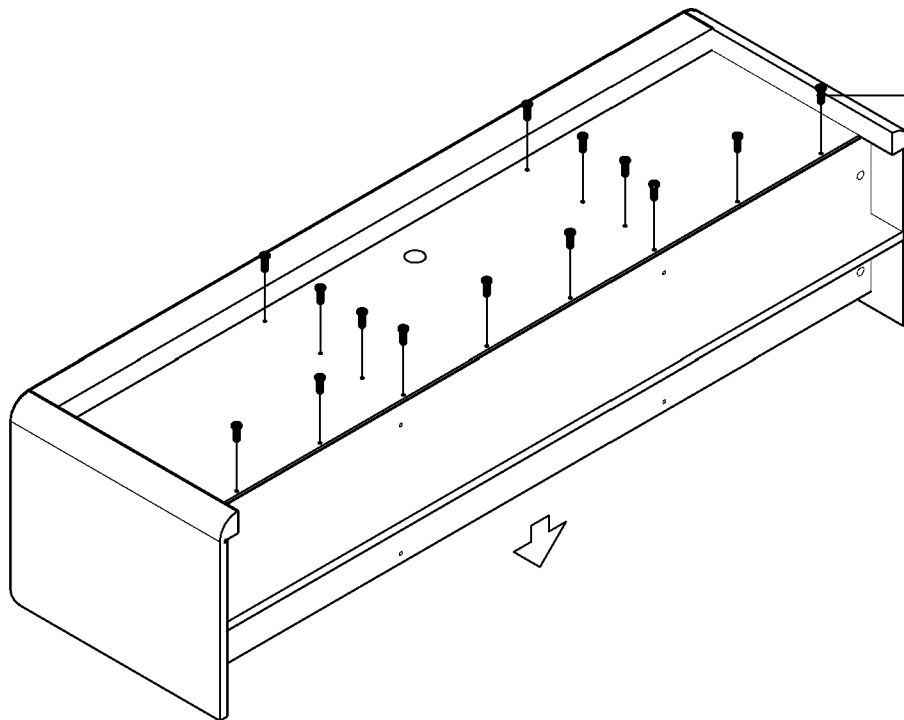


Step 12



Insert the Back MDF Board:
Please insert the Back Mdf Board into the groove of cabinet.

Step 13



(E2) x14



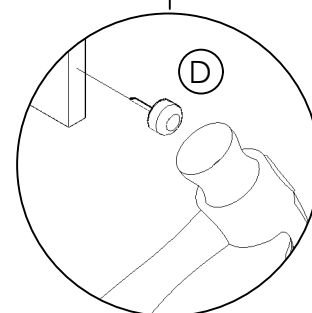
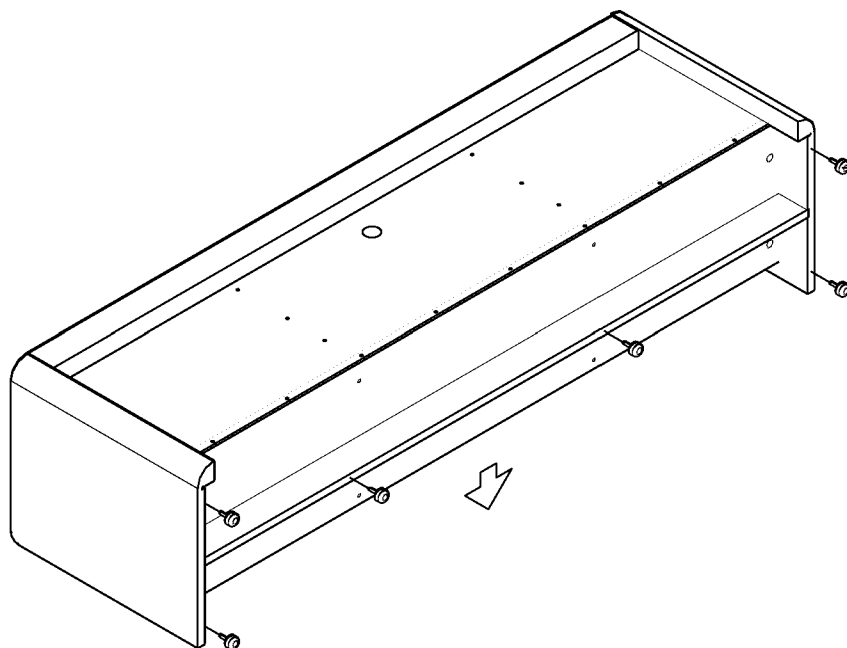
M3.5x16MM

(E2)

Installation Screw:
Please insert the screw (E2) on the hole using a screwdriver.

Step 14

(D) x6



Installation Hardware:
As Shown, Insert the white leg pin(D),
into the panel using the hammer.

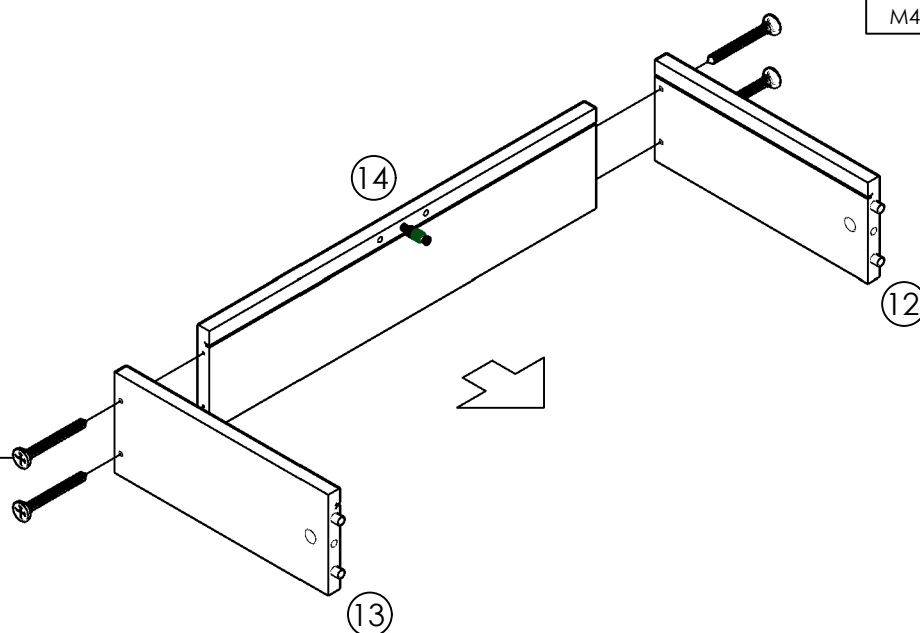
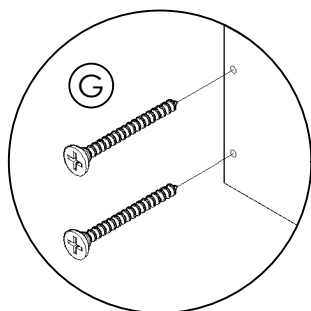
Step 15

(G) x4

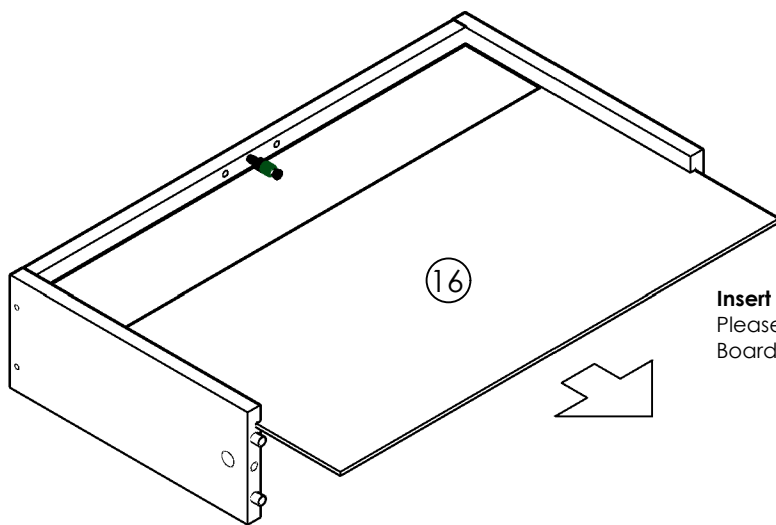


M4x38MM

Installation Screw:
Please insert the screw (G)
on the hole using a screwdriver.

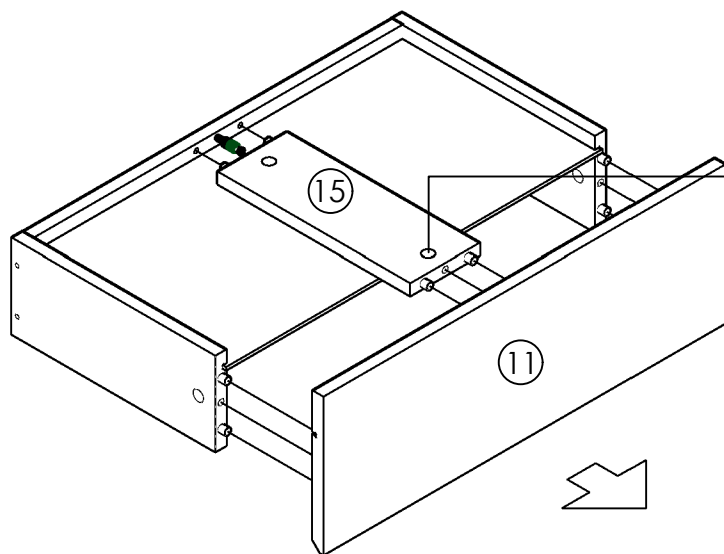


Step 16

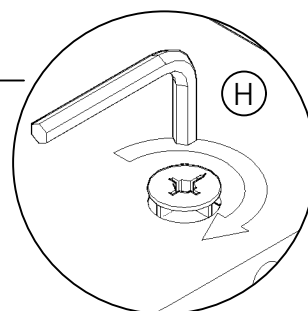


Insert the Drawer MDF Board:
Please insert the Drawer MDF Board into the groove of panel.

Step 17



(H) x1

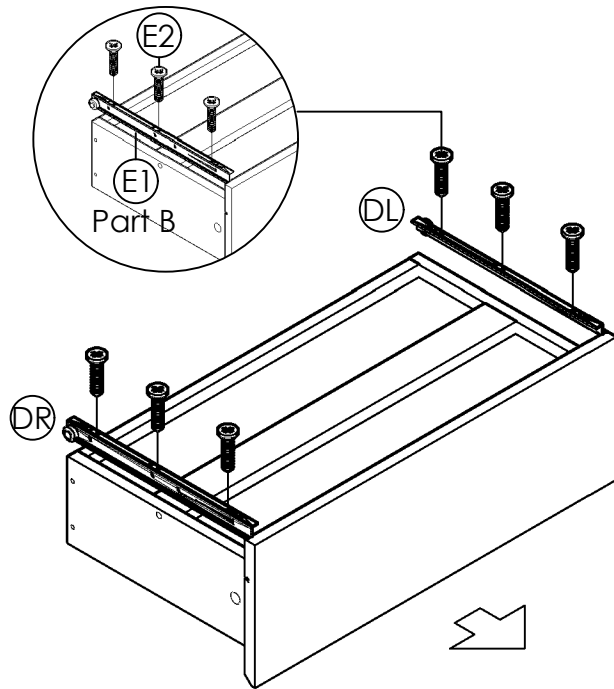




Installation:

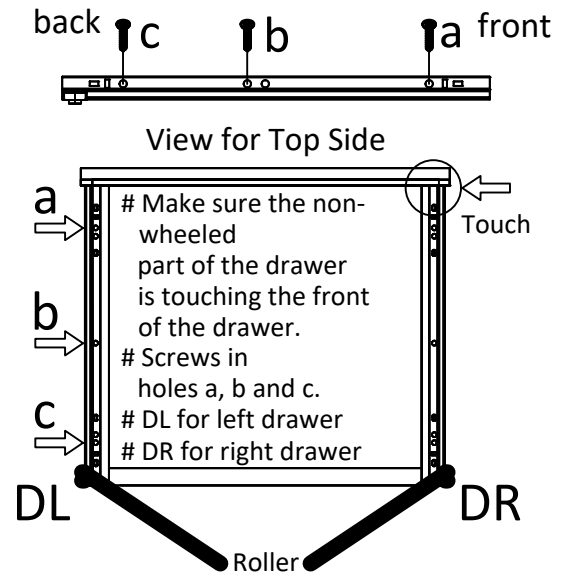
As shown, the head of minifix housing goes into the open mouth of the mini fix bolt. Use Allen Key then turn the minifix housing so it tightens over the mini fix bolt.

Step 18

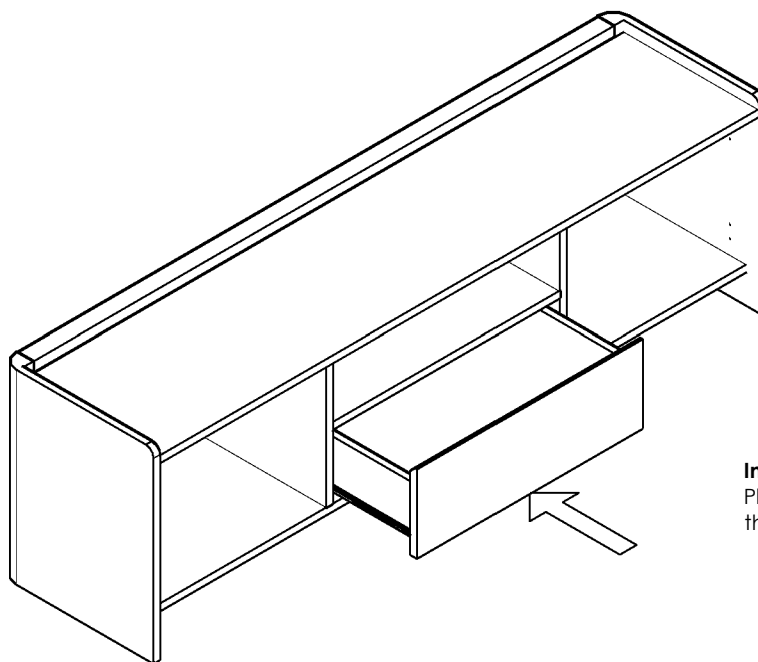
Note: Please find the DL and DR steel seals on the tracks.



(E1) x1	(E2) x6
	
M3.5x12MM	

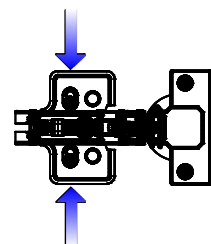
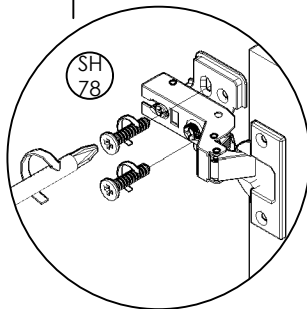
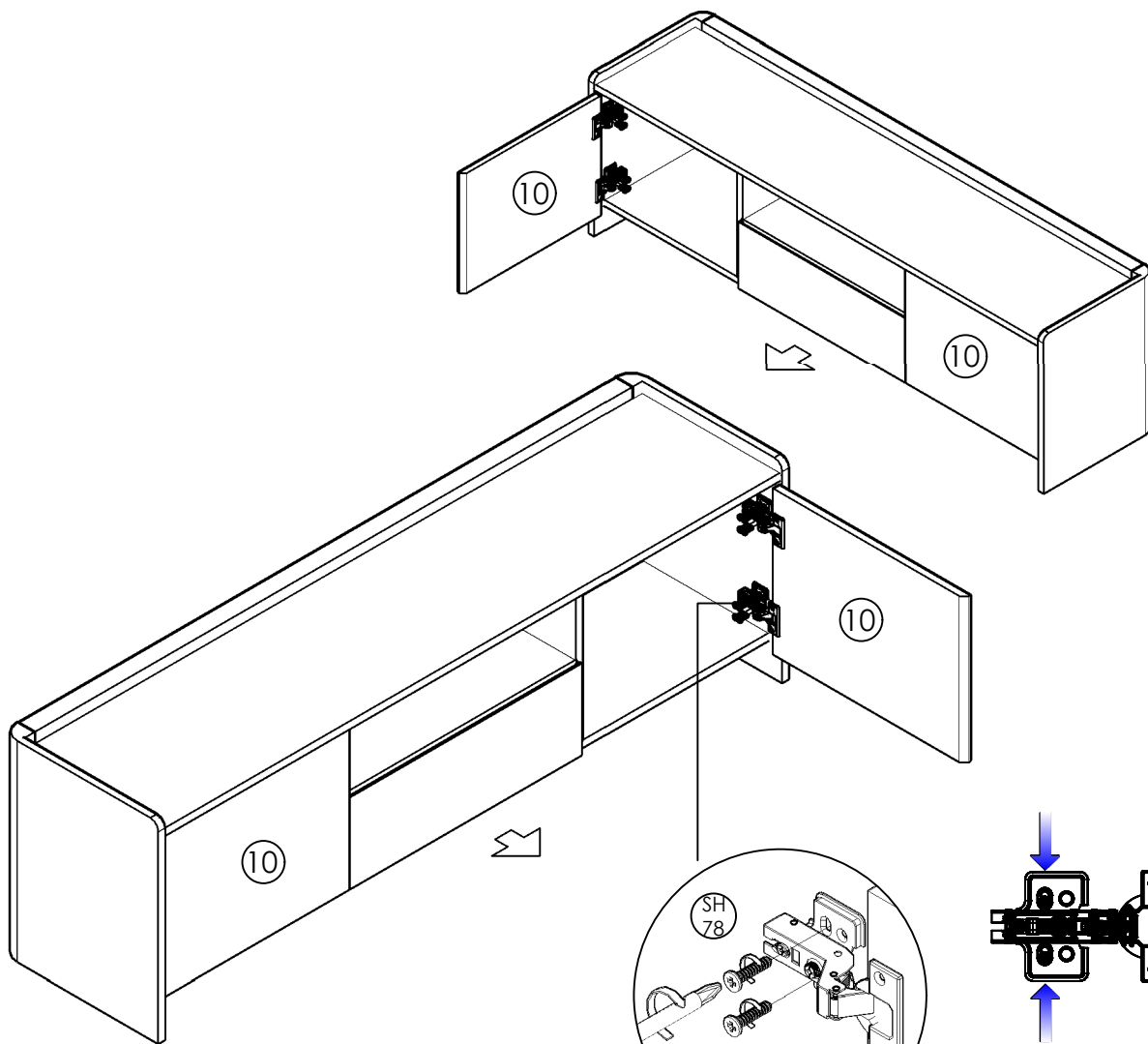
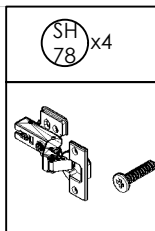


Step 19

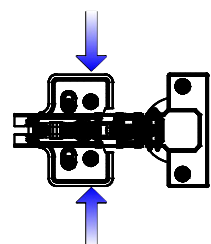
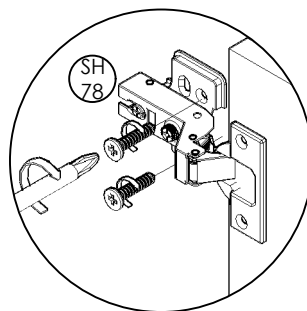


Insert the Drawer:
 Please insert the drawer into the cabinet.

Step 20



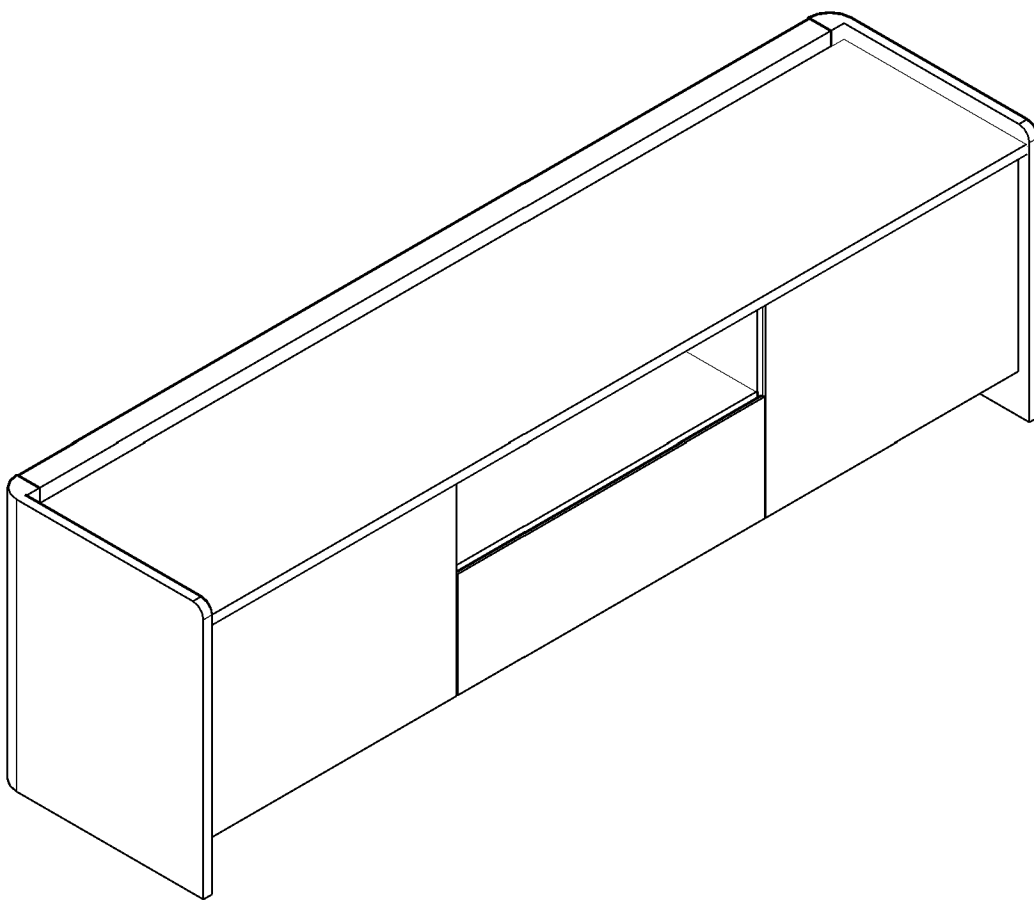
#Adjust the door by moving it up and down or left and right to tighten the screws



#Tighten the screws to prevent sliding doors

VOILA!

Now enjoy.



Warning !!!

DO NOT climb, sit or stand on the TV stand as this may damage the product and cause serious bodily injury.

Something not right?

We are always here to help.

We make mistakes like every human does. Though we always strive to provide the best possible products at competitive prices and the best service in the industry, it's not possible to completely eliminate mistakes. If you experience any dissatisfaction, feel free to contact us immediately. Our in-house customer care team will respond ASAP.

- customerservice@luxenhome.com
Get response within 24 hrs
- 909.548.6688
Mon-Fri 9am-5pm PST/PDT
- www.luxenhome.com/help
Submit a ticket on our website

Things to do to expedite the process

- Have your order# ready
- Take photos/videos to help us better identify the issues
- DO NOT throw away the packaging

Happy with our product?

Leave us a review

It really help us as a small business

Find the product you purchased on our website (tip: search by SKU) and leave us a review.

Alternatively, you can always return to the marketplace where you purchased it and leave a review there.

Share with others

Our customers look for REAL stuff



- Follow us on IG @luxen.home
- Share your #liveluxen moments



Please save this manual for future reference.