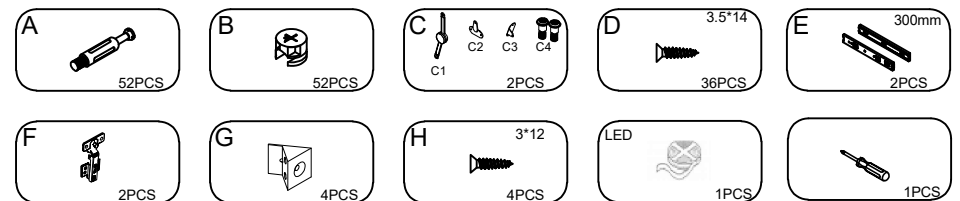
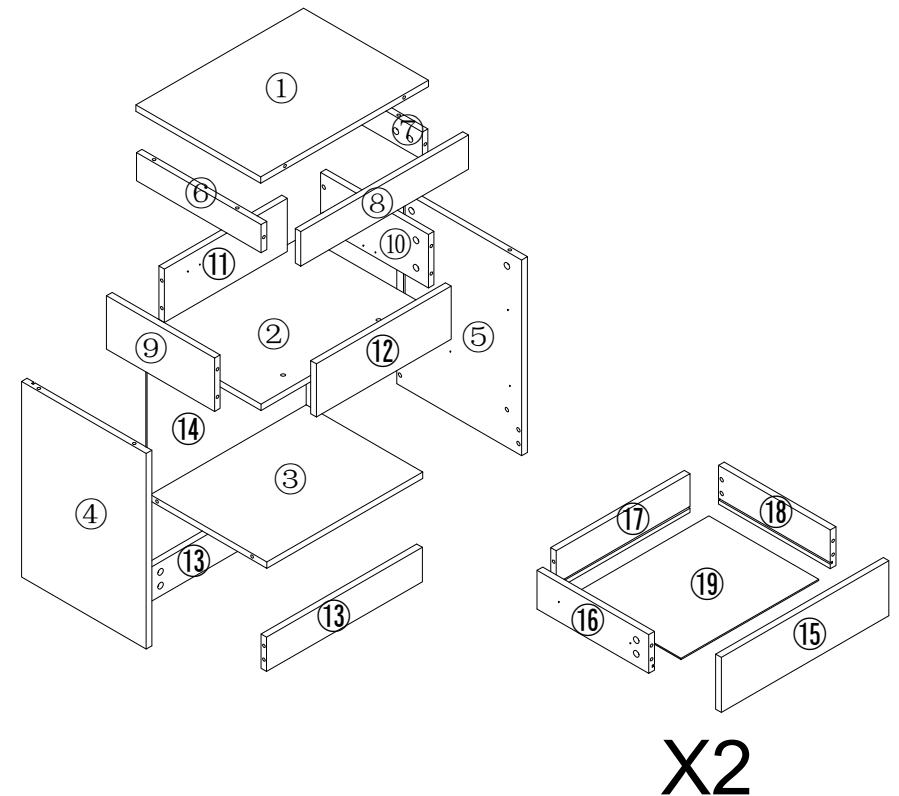
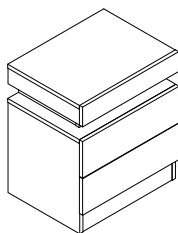


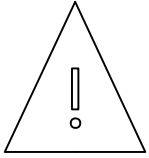
ASSEMBLY INSTRUCTION

- IT would be best if you set aside and organize all pieces & corresponding “nuts/bolts” first.
- Please follow the instructions to assemble the items correctly.
- Could be assembled by one person ,but would recommend two.
- Please ensure the safety of the glass when assembling.
- Do not make the screws too loose or too tight.
- As shown in the figure ,Insert the screw into the hole.
The arrow in the picture .Then rotate 90° or 180° clockwise.
- The remaining parts are spare parts.
- If any problems, please contact us via email for support and replacement:

SAFETY INFORMATION

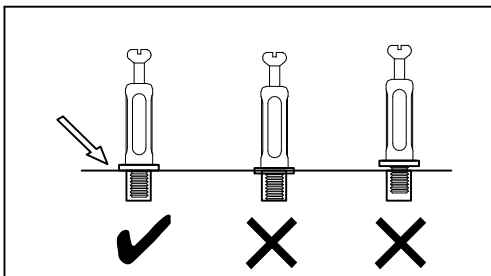
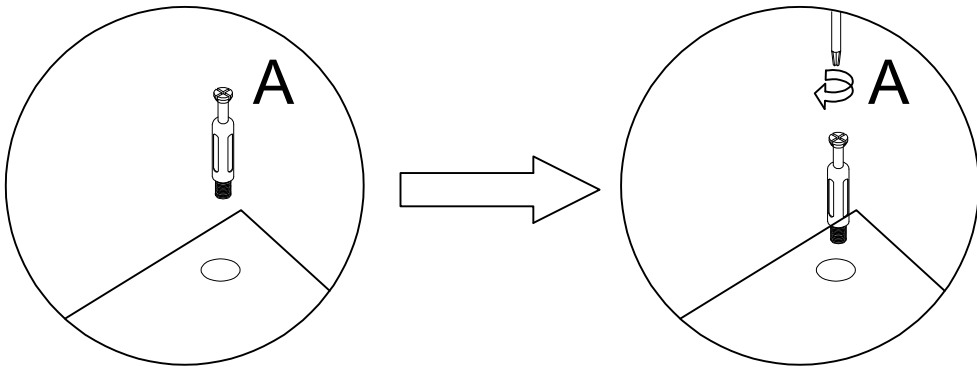
- The accessory bag contains some small accessories, which should be kept away from children.
- Kids are not allowed to climb or play with the product for safety reasons.



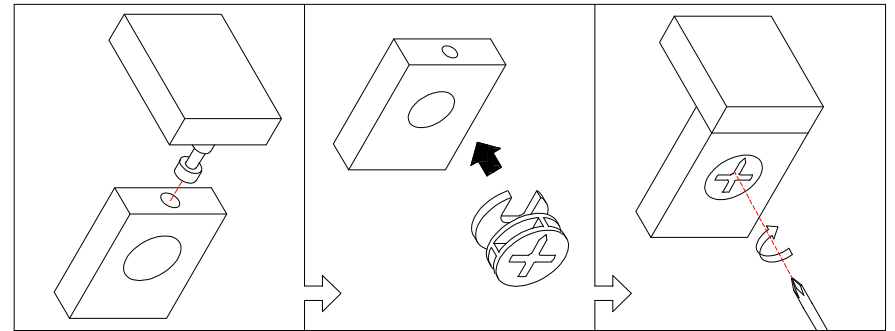


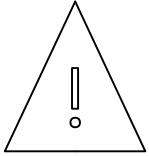
Hardware installation demonstration

- Please make sure "A" hardware tightened and can't be pulled out



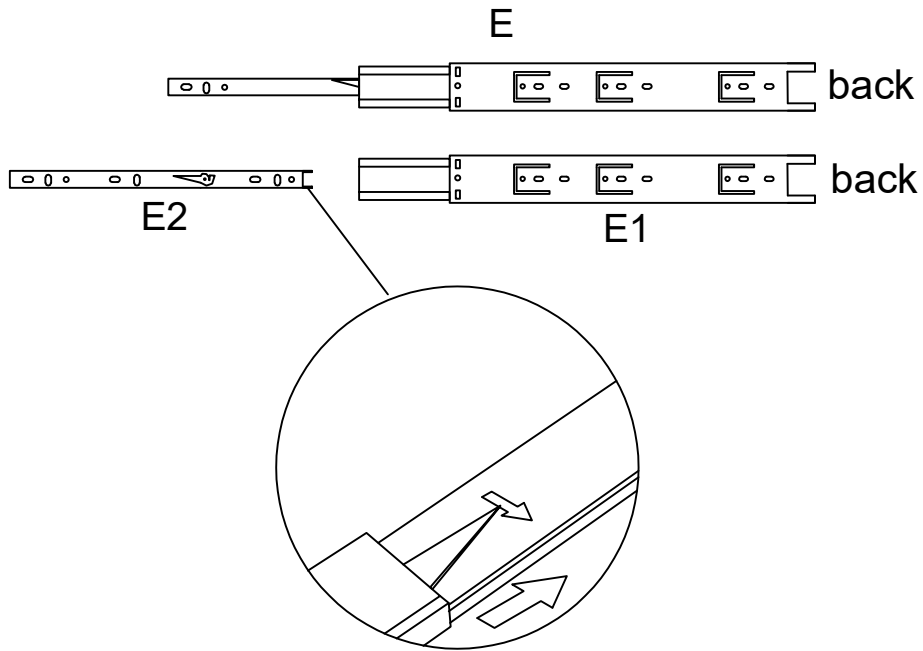
- When inserting cam ensure arrowhead on cam points toward to the hole on the panel edge



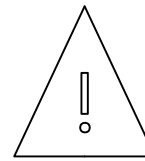


Hardware installation demonstration

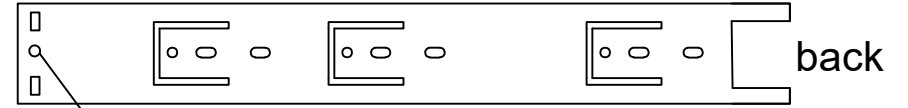
- Before installing the drawer rail, you need to separate the E1 and E2 first.



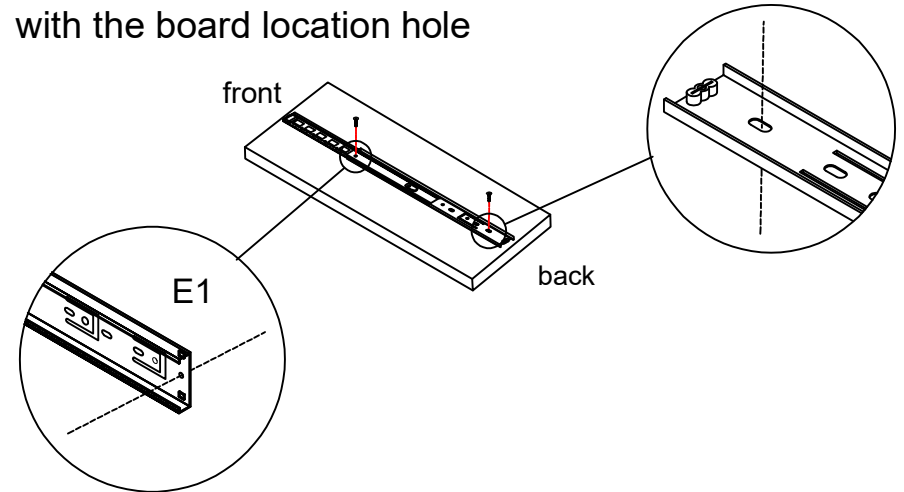
Warm Reminder : Press it and split.



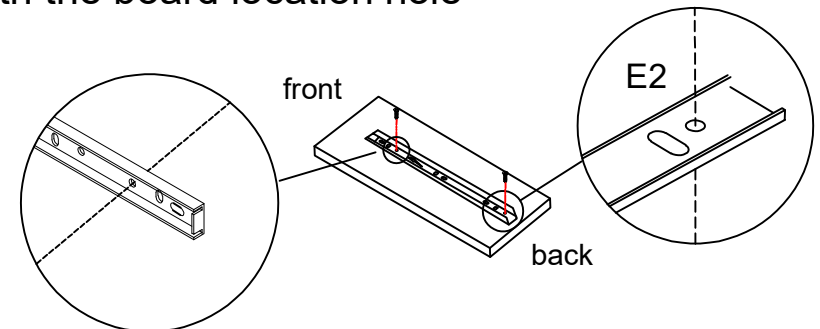
Hardware installation demonstration



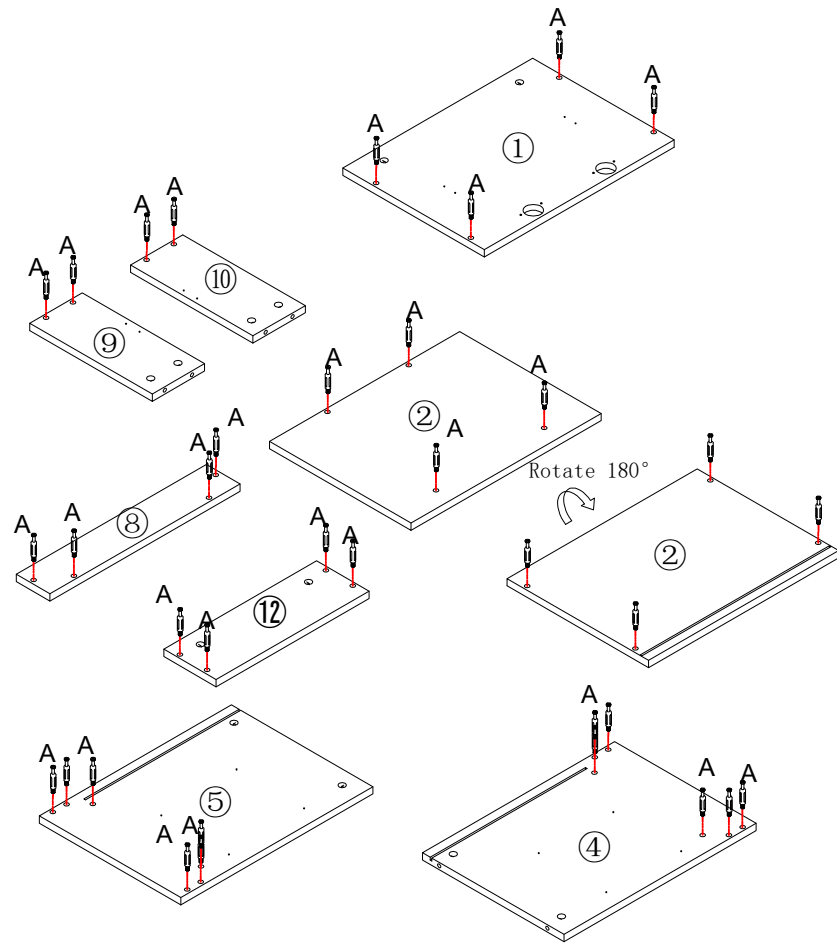
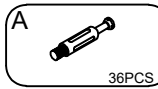
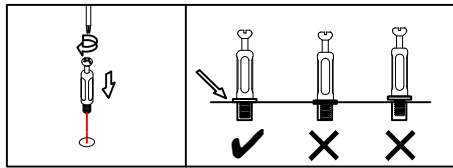
The first screw hole should corresponded with the board location hole



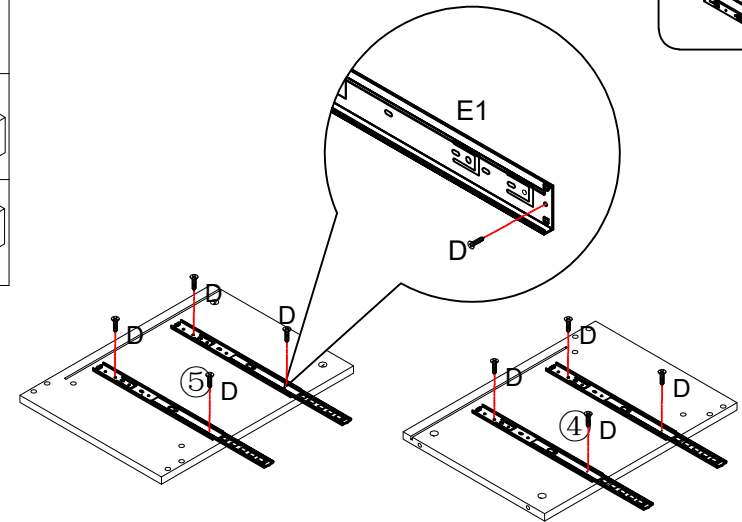
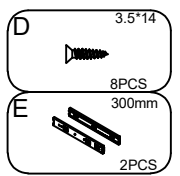
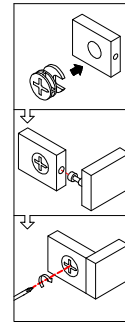
The first screw hole should corresponded with the board location hole



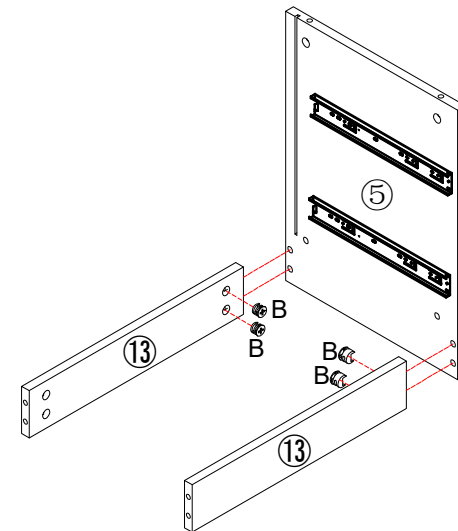
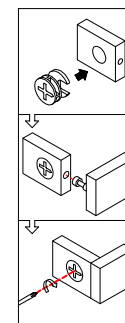
STEP 1



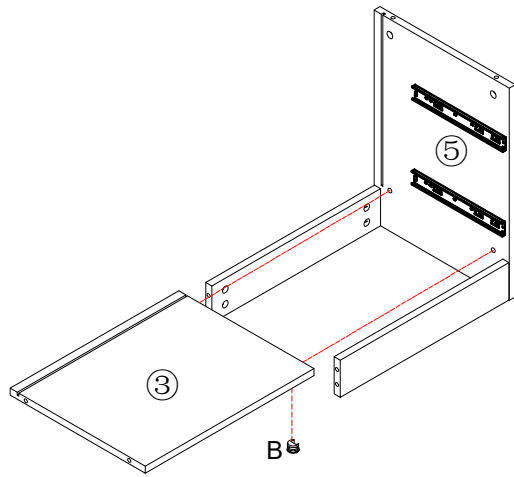
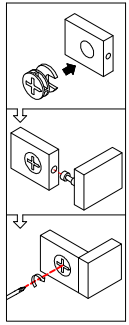
STEP 2



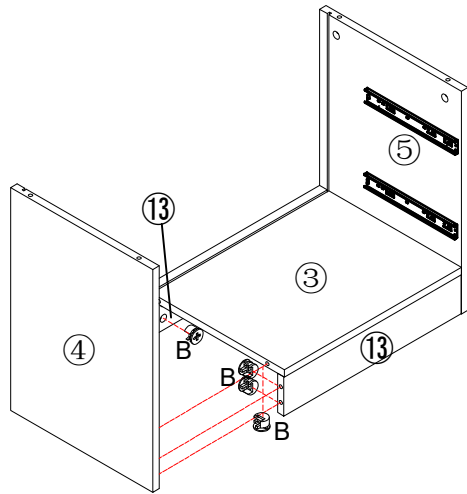
STEP 3



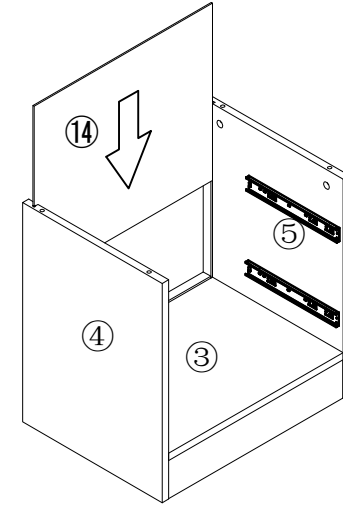
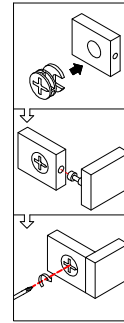
STEP 4



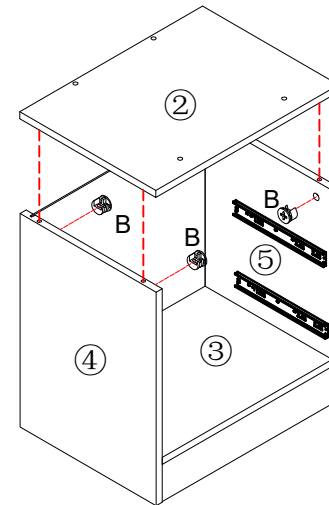
STEP 5



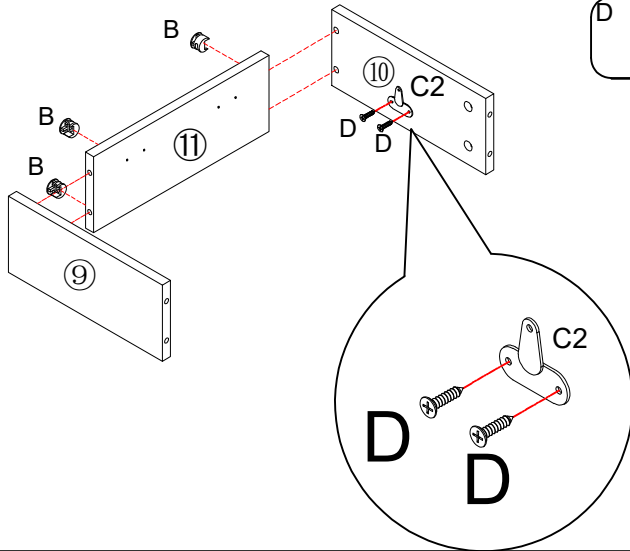
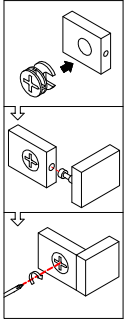
STEP 6



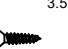


STEP 7

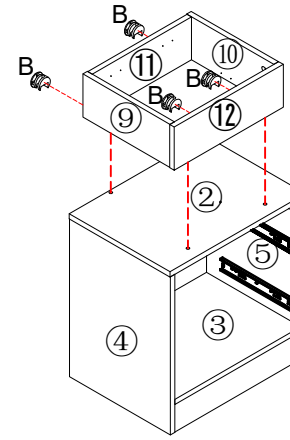
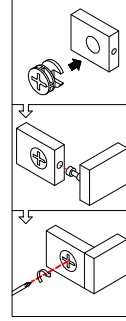


STEP 8



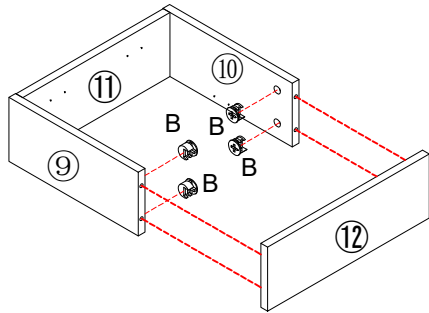
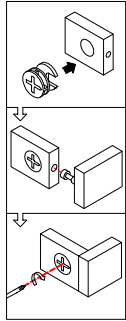
- B  4PCS
- C  2PCS
3.5*14
- D  4PCS

STEP 10



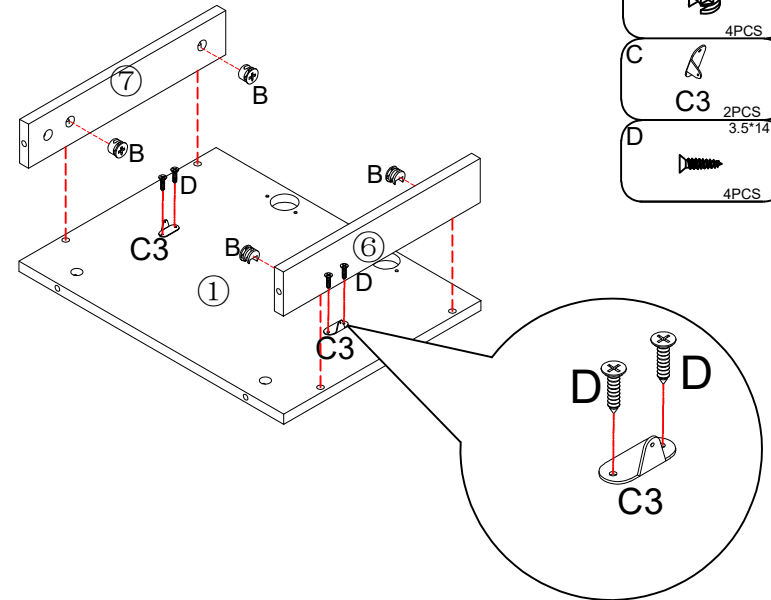
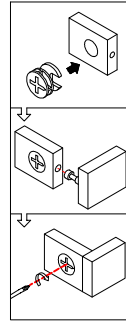
- B  4PCS



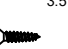
STEP 9



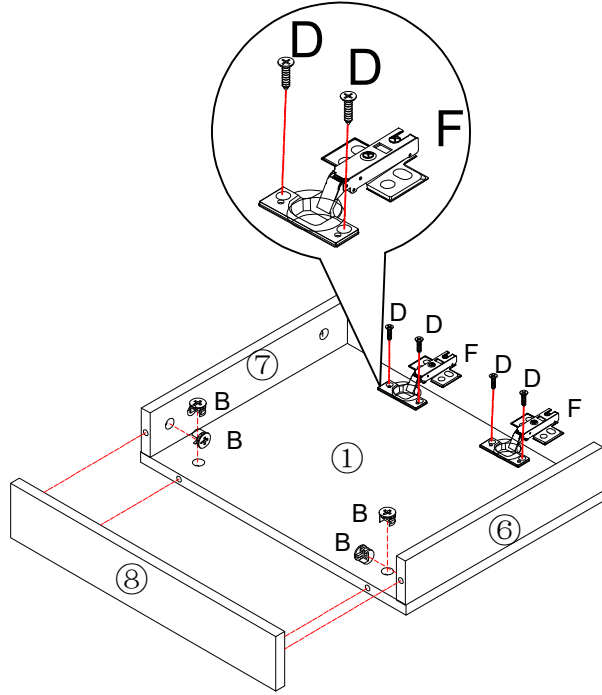
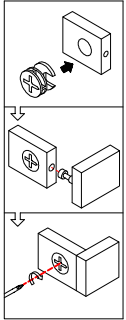
- B  4PCS

STEP 11



- B  4PCS
- C  2PCS
3.5*14
- D  4PCS

STEP 12

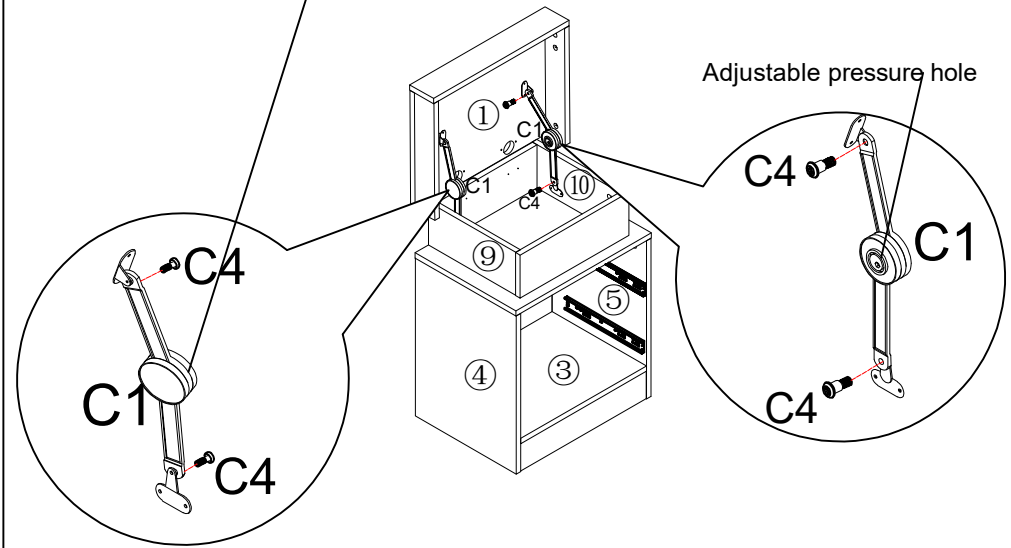


- B** 4PCS
3.5*14
- D** 4PCS
- F** 2PCS

STEP 14

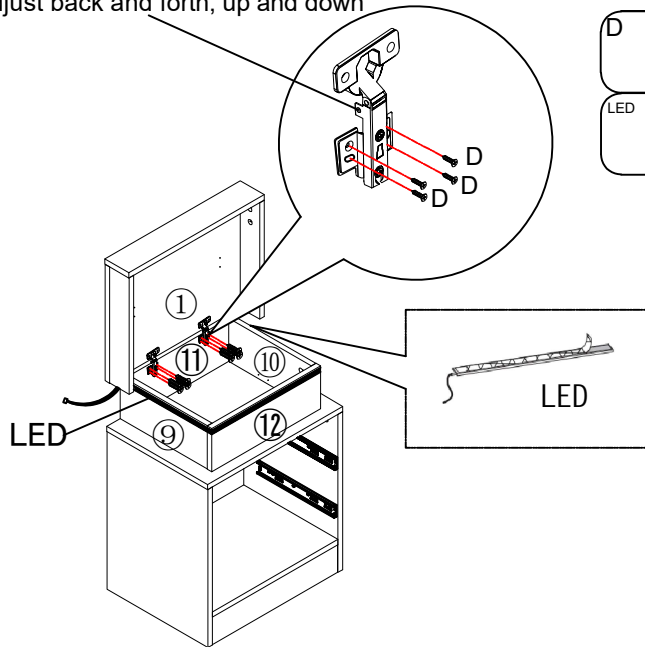
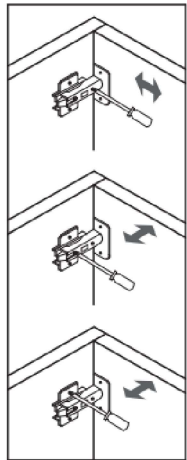
When installing C1, place the adjustable pressure holes opposite each other, with the three circles facing forward

- C** C1 2PCS
- C4** 2PCS



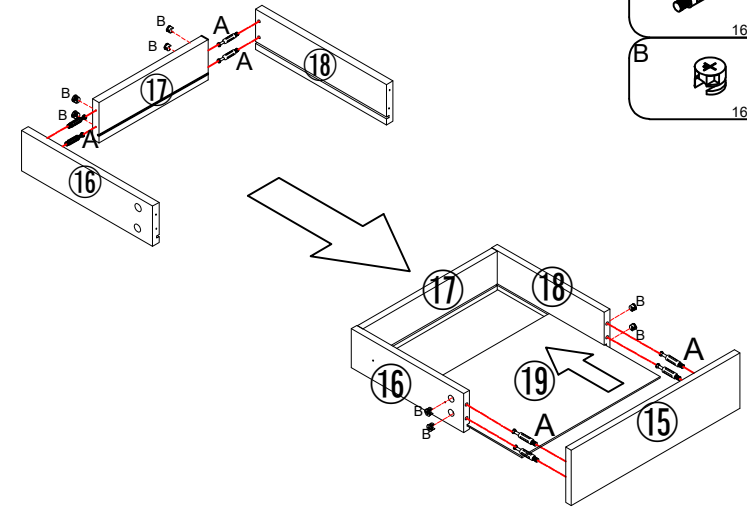
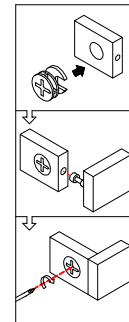
STEP 13

Adjust back and forth, up and down



- D** 3.5*14
8PCS
- LED** 1PCS

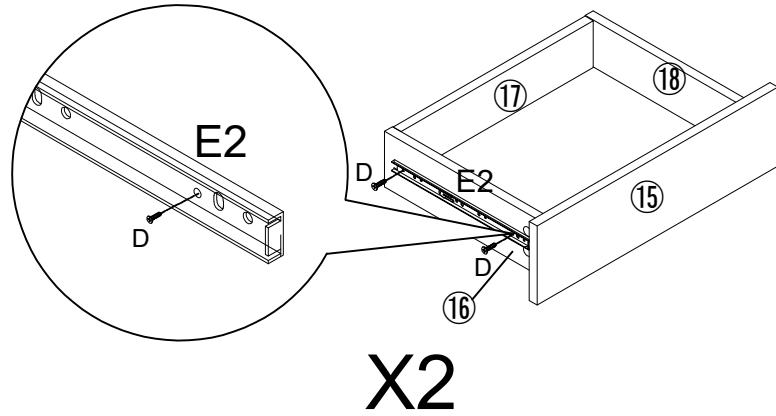
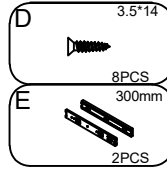
STEP 15



- A** 16PCS
- B** 16PCS

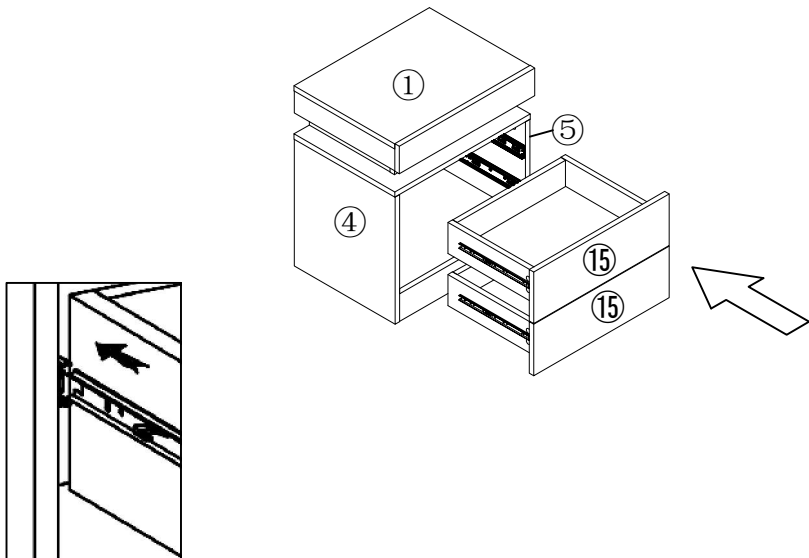
X2

STEP 16



STEP 17

For the high gloss panel, please peel off the plastic film after assembling



STEP 18

