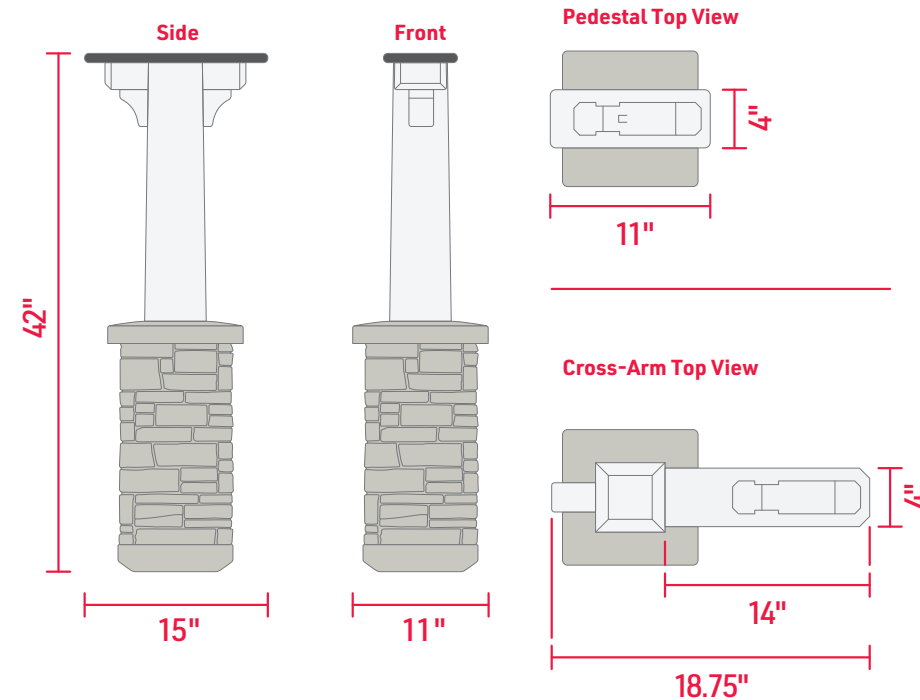


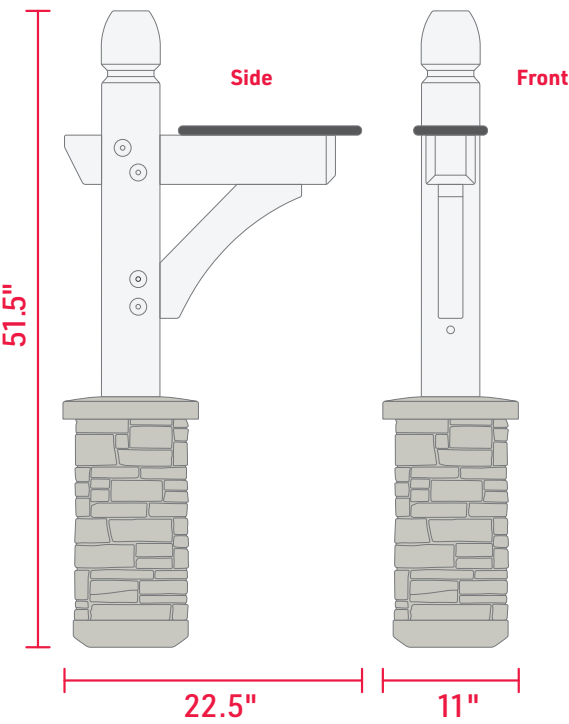
Pak PAK™ PREMIUM MAILBOX POST SET INSTALLATION

SIZE + MEASUREMENTS

Pedestal Measurements



Cross-Arm Measurements



90-DAY WARRANTY

The manufacturer warrants this product against defects in materials and workmanship. Pak products warrants to the original consumer purchaser of this mailbox product for 90 days from the original purchase date, that it is free of latent defects in materials, parts and workmanship. This warranty is limited to repair or replacement of the defective mailbox product. At the discretion of Pak products, defective products must be returned freight prepaid to Pak products. If the unit is determined to be defective, it will be repaired or replaced free of charge at Pak product's option.

Please contact customer service first before mailing the product. This warranty does not include repair or replacement due to defects caused by abuse, misuse, fire, vandalism, substandard or nonconforming installation, contact with brick mortar or destructive weather conditions (includes salt air, road salt or other corrosive materials). This warranty does not cover the labor or any other cost of removal, reinstallation or replacement of, or as a consequence of, the defective mailbox product. This warranty does not cover field expenses or the cost of any items other than the defective mailbox product. Consequential damages to property are excluded.

PROPER CARE & MAINTENANCE

With a minimum amount of maintenance, your mailbox post can look like new for a long period of time. Cleaning the surfaces of the product with a damp cloth and household detergent occasionally will help to maintain the condition of the product.

CUSTOMER SERVICE

Customers should not contact their place of purchase. For questions regarding warranty and assembly of products, please contact Pak products customer service by calling **833.599.0755** or email us at support@pakproducts.com.

CONGRATULATIONS!

Thank you for choosing this classic, durable mailbox and post from Pak products. Manufactured with high-quality materials, this mailbox will protect your important mail and small packages while withstanding the elements for years to come. Enjoy!

BEFORE YOU START

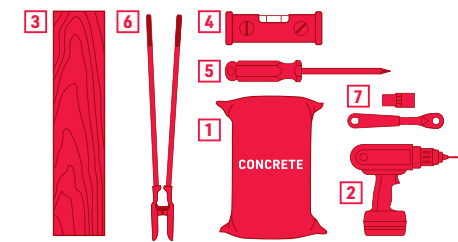
Contact the local post office before installing your mailbox to ensure its correct placement and height at the street. Generally, mailboxes are installed at a height of 41"-45" from the road surface to inside floor of the mailbox or point of mail entry and are set back 6"-8" from the front face of the curb or road edge to the mailbox door.

WARNING

Check for underground cables or pipes before digging.

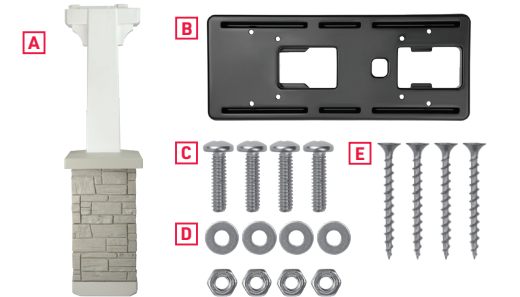
TOOLS REQUIRED

- 1 Concrete
- 2 Drill with 1/4" bit
- 3 4x4 Wood Post (minimum 66" long)
- 4 Level
- 5 Phillips screwdriver
- 6 Post hole digger
- 7 1/2" socket and driver



PARTS INCLUDED

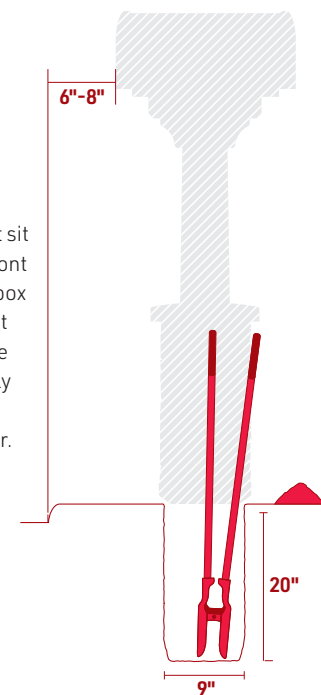
- A Mailbox post (Pedestal or Cross-Arm)
- B Mounting plate
- C Four (4) Phillips/slotted machine screws
- D Four (4) hex washers and four (4) nuts
- E Four (4) wood screws
- F Eight (8) Decorative Lag Screws and eight (8) washers (Cross-Arm Only)



PREPPING THE HOLE

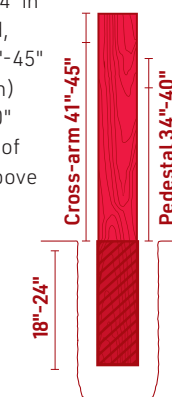
STEP 1

Mailbox must sit 6"-8" from front edge of mailbox to curb/street edge. Dig hole approximately 20" deep and 9" in diameter.



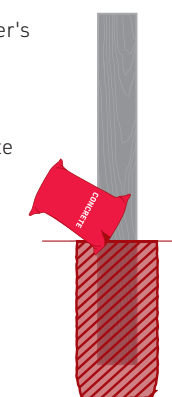
STEP 2

Place 4x4 wood post 18"-24" in the ground, leaving 41"-45" (cross-arm) and 34"-40" (pedestal) of the post above ground.



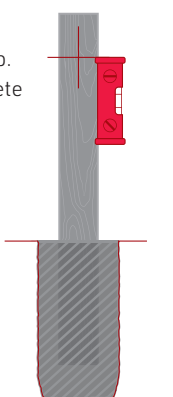
STEP 3

Mix the concrete following manufacturer's instructions then fill the hole making sure concrete goes under the post and on all sides.



STEP 4

Check that the post is level and square with the curb. Allow concrete to cure.



Pak

PAK™ PREMIUM MAILBOX POST SET INSTALLATION

PAKPRODUCTS.COM | 833.599.0755

All images shown are for illustration or representation purpose only. Actual product may differ due to product enhancements.

PAKPRODUCTS.COM | 833.599.0755

BOTTOM MOUNT INSTALLATION



STEP 1a
Install post assembly over 4x4. Ensure front of mailbox will face the street correctly.



STEP 1b
Push the post downward until flush with the ground surface.



STEP 1c
Ensure Door-Front-Street type on bottom of plate is in close alignment with the front of mailbox door. See box modification.



STEP 2a
Align the holes on the plate with the holes on the inside of your mailbox.



STEP 2b
Place the hex nuts inside the corresponding holes. Push the bolt through each hole into the hex nut and finger tighten.



STEP 2c
Using the provided hex bolts and nuts, mount the plate to the mailbox using a Phillips screwdriver.



STEP 3a
Align mounting plate with top of pedestal.



STEP 3b
Slide from front to back until it snaps and locks into position.



STEP 4 - OPTIONAL
Cross-arm model only. Pre-drill the center of four inset holes on the side of post (eight total). Use a 1/2" socket to tighten the lag screws and washers into position.

SIDE MOUNT INSTALLATION

MAILBOX MUST BE SAME WIDTH AS MOUNTING PLATE FOR BEST FIT.



STEP 1
Install mailbox post over 4x4 until flush with the ground surface.



STEP 2
Align mounting plate with top of pedestal.



STEP 3
Slide from front to back until it snaps and locks into position.



STEP 4
Check to make sure the mailbox width fits snug with the mounting plate.



STEP 5
Place mailbox over the mounting plate and slide forward or back to desired position.



STEP 6
Use drill to drive wood screws through the side holes (4x) to secure to the mounting plate. (Only self-centering solution if mailbox is same width as mount plate.)

Simply remove screws to replace mailbox.

TO REMOVE AND REPLACE A BOTTOM MOUNT MAILBOX



STEP 1
To remove or replace an installed mailbox, the screws need to be removed to lift off the mailbox.



STEP 2
Use a flathead screwdriver to lift the plastic stop behind the catch and slide the mount plate to release.

Stone base texture and color variation

To achieve the look of natural stone, several accent colors are blended together, resulting in a random variety of colors, textures and patterns seen in the base.

