



The installation process takes approximately 20 minutes.



A minimum of 2 people is required to properly install the product.



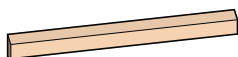
Improper installation can result in personal injury and property damage.

For safe mounting, it is essential to use wall anchors appropriate to your wall type (i.e. plaster, drywall, concrete...).

Mount to wood studs.

HARDWARE KIT INCLUDES

(A)



Wood hanger
x1

(B)



M6 screw
x2

(C)



M3.5 screw
x2

ASSEMBLY TOOLS REQUIRED (NOT INCLUDED)



Pencil



Drill



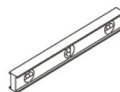
Phillips
Screwdriver



Tape
Measure



Stud
Finder



Level

STEP 1:

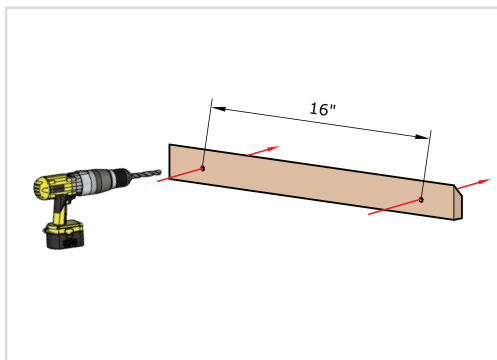
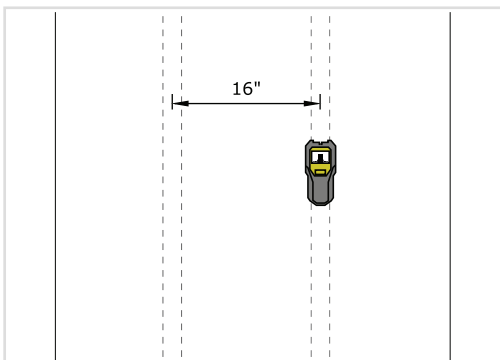
Using the stud finder and marker, locate & mark the studs behind the drywall.

For a brick/concrete wall, simply mark the areas where you want to mount the cabinet.

STEP 2:

Locate, mark and drill 2 pilot holes on the hangers (A) aligned with the studs.

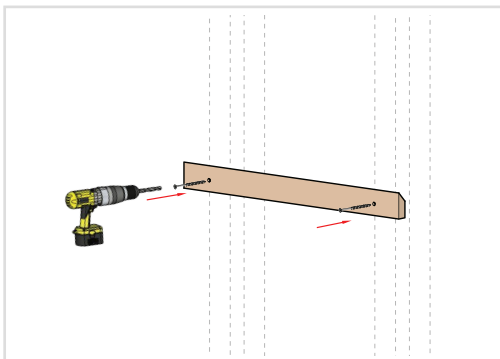
Important: The spacing of two studs varies based on your wall structure. If the studs do not align with your cabinet, you can install wood blocking between them.



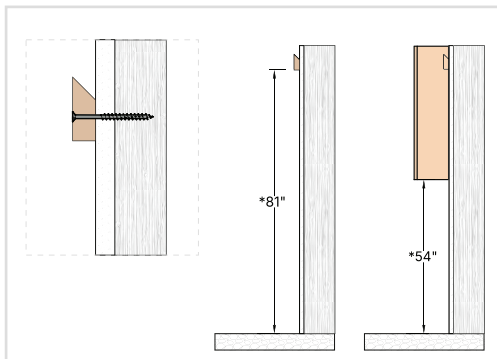
STEP 3:

Drill and secure the hangers to the wall & studs with the M6 screws (B).

3.1

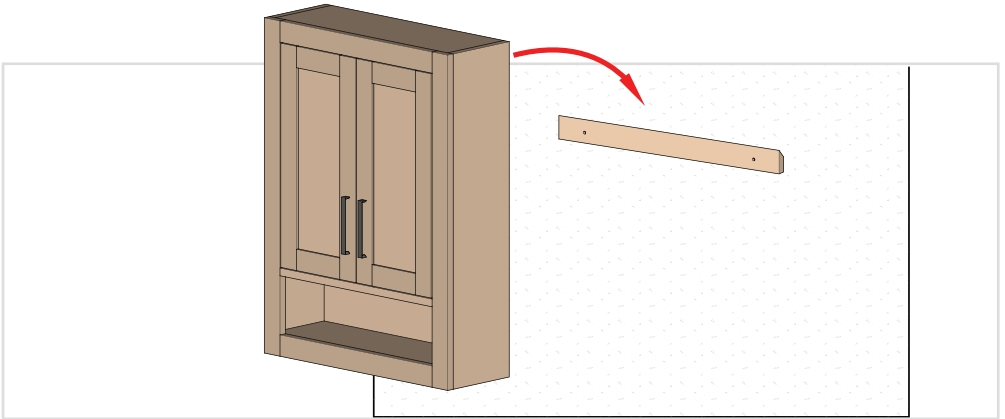


3.2

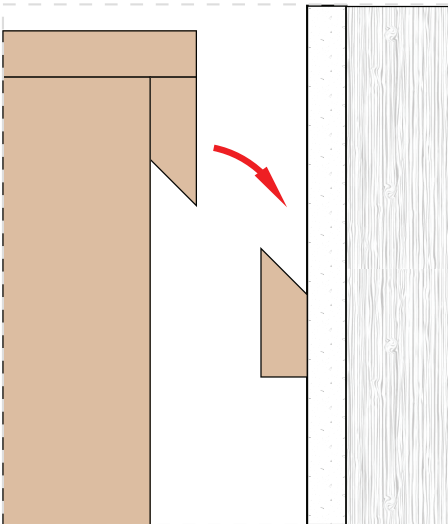


* This height is recommended for wall cabinets, but you can adjust it to fit your needs.

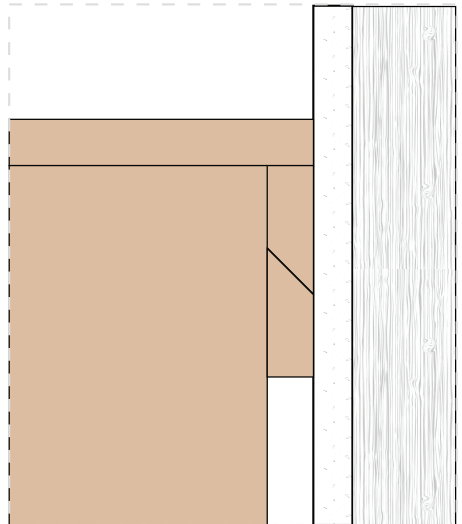
STEP 4:
Mount the cabinet to the hangers.



4.1

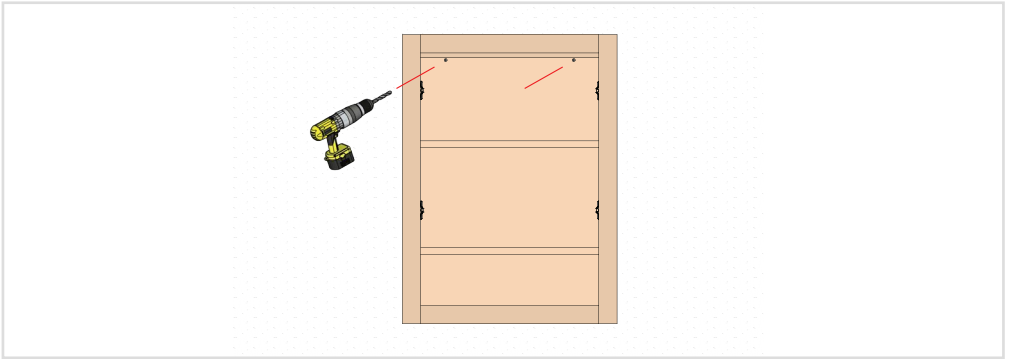


4.2

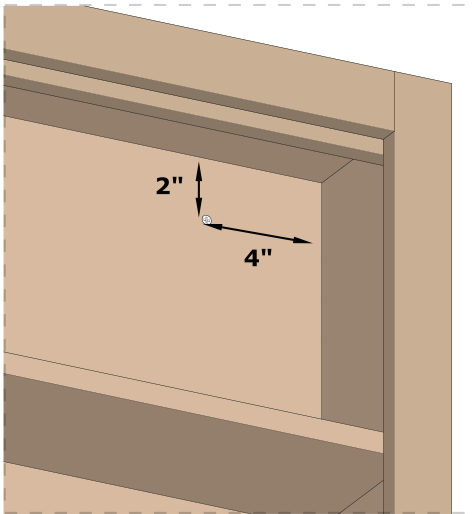


STEP 5:

Secure the cabinet with the hanger use the M3.5 screws (C).



5.1



5.2

