








# Installation & Assembly



## Before You Start

-  Please read all instructions carefully.
-  Retain instructions for future reference.
-  Separate and count all parts and hardware.
-  Read through each step carefully and follow the proper order.
-  We recommend that, where possible, all items are assembled near to the area in which they will be placed in use, to avoid moving the product unnecessarily once assembled.
-  Always place the product on a flat, steady and stable surface.
-  Keep all small parts and packaging materials for this product away from babies and children as they potentially pose a serious choking hazard.

## Assembly Instructions

We have designed our furniture with you, the customer in mind. Our clear, easy to follow step by step instructions will guide you through the project from start to finish. Feel confident that this will be a fun and rewarding project. The final product will be a quality piece of furniture that will go together smoothly and give years of enjoyment.

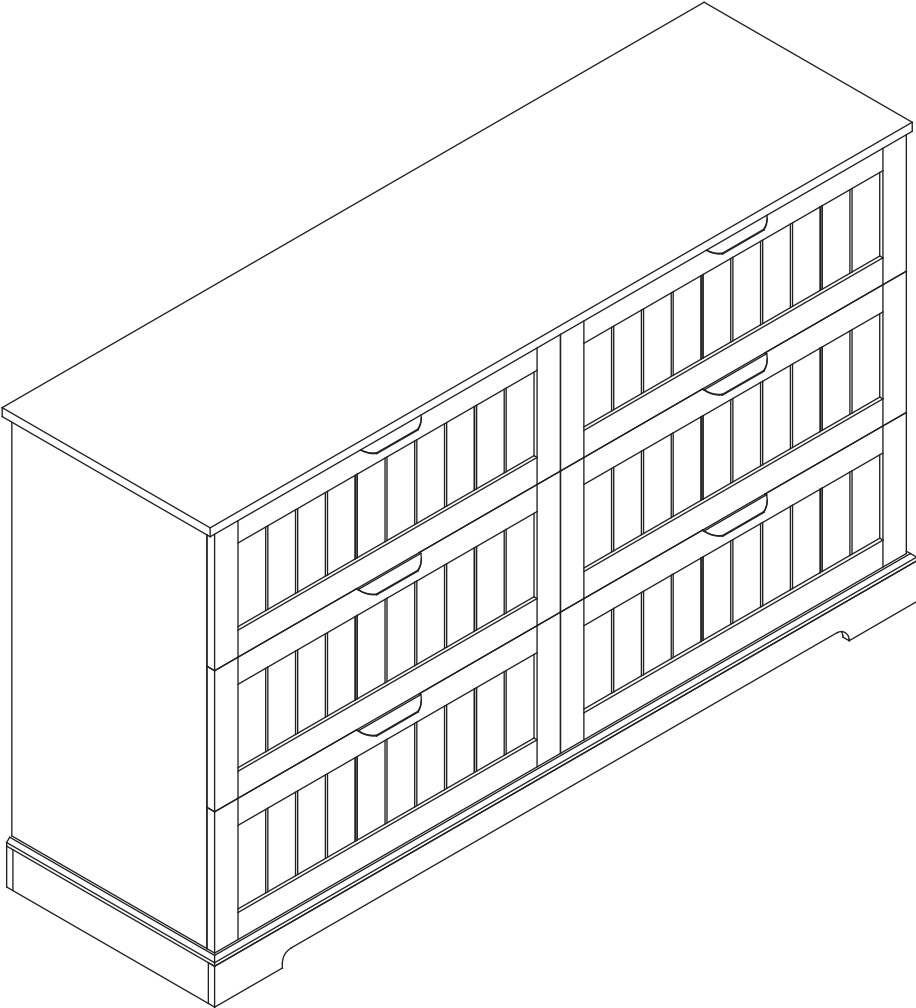
### **ANTI-TOPPLE WARNING !**

Overtipped furniture can cause serious or fatal crush injuries. To prevent tipping over, be sure to use the wall attachment, if not included with this product. Please purchase the wall attachment that fit your wall. If unsure, seek professional advice. Please read and follow each step of the instructions carefully.

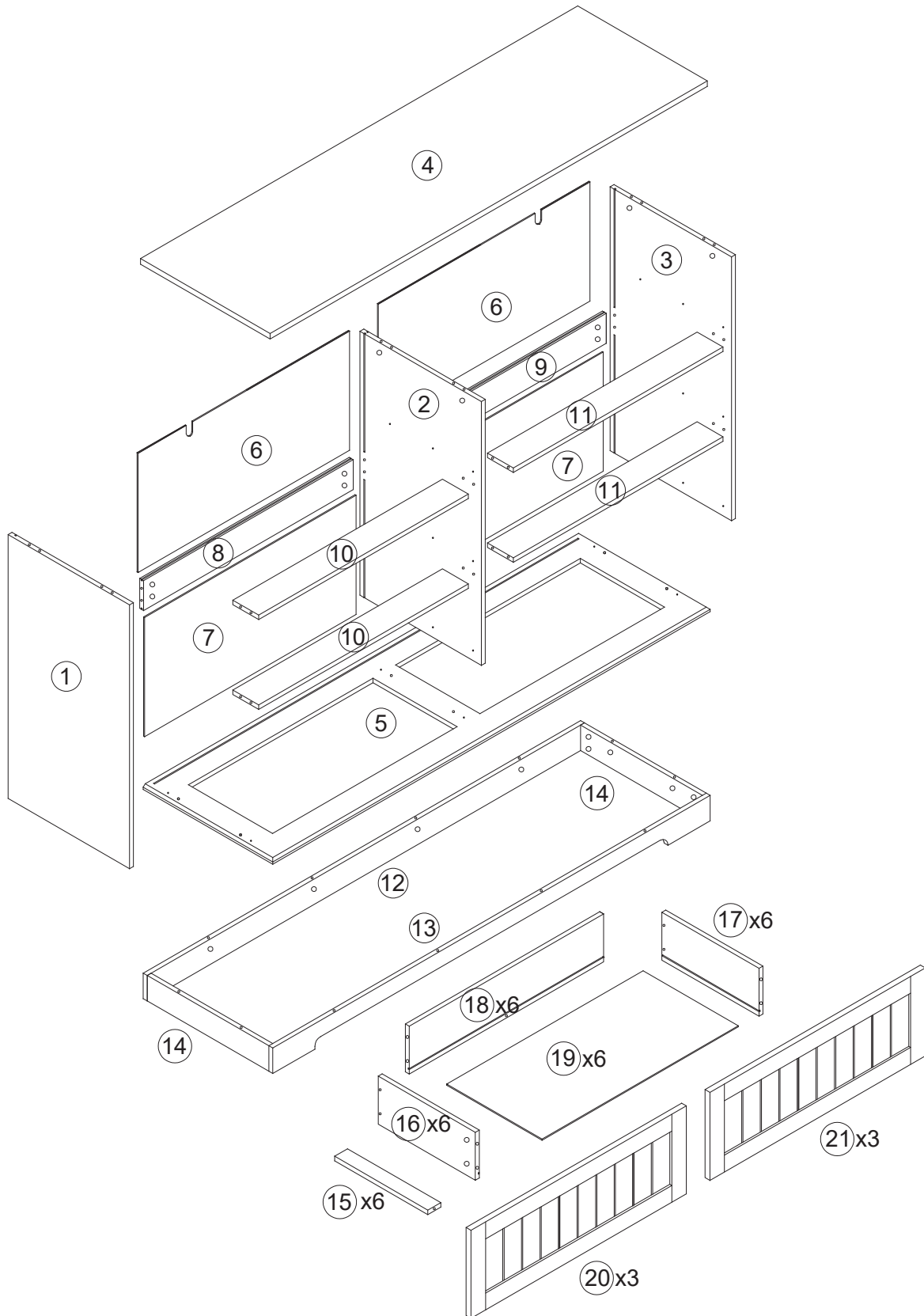


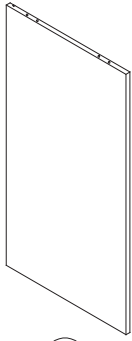
Please do not return to the store  
Broken or missing Hardware?  
Need help with Assembly?  
If you have any questions just email us

# Completed Assembly

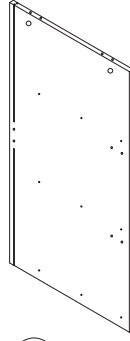


# Parts Description

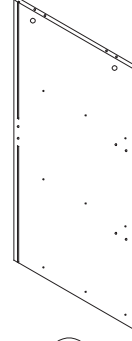




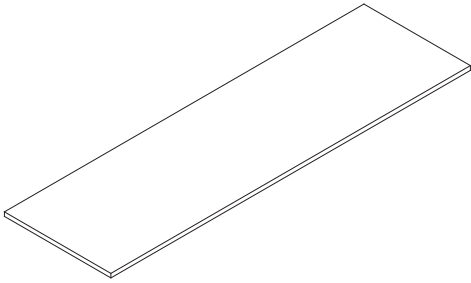
①



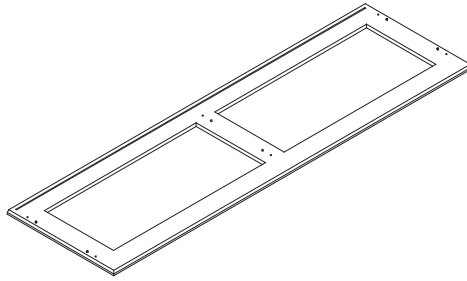
②



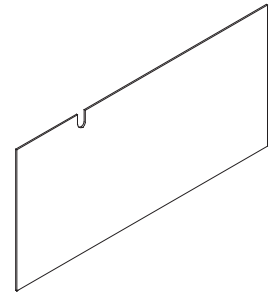
③



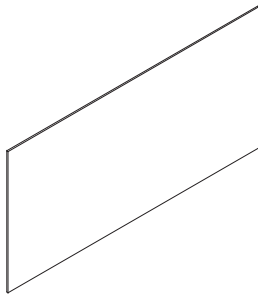
④



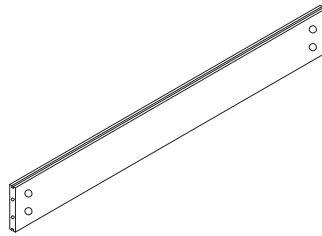
⑤



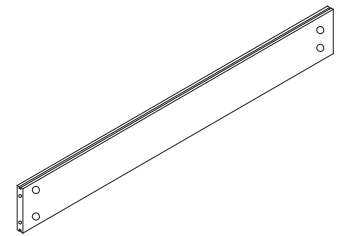
⑥ x2



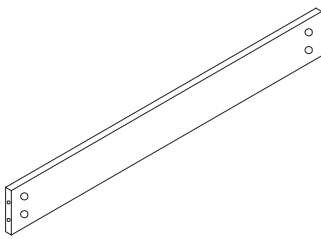
⑦ x2



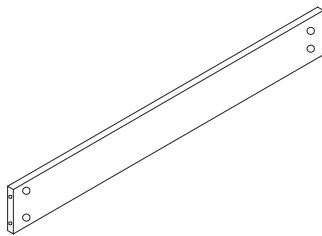
⑧



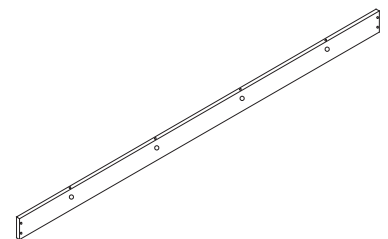
⑨



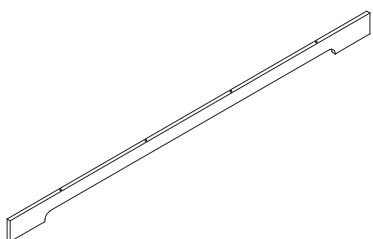
⑩ x2



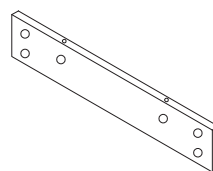
⑪ x2



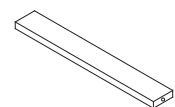
⑫



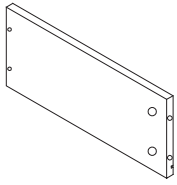
⑬



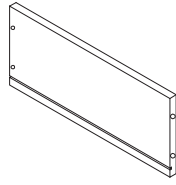
⑭ x2



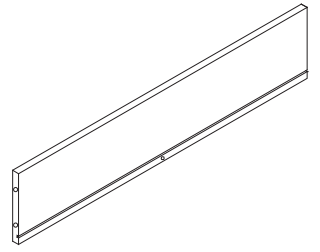
⑮ x6



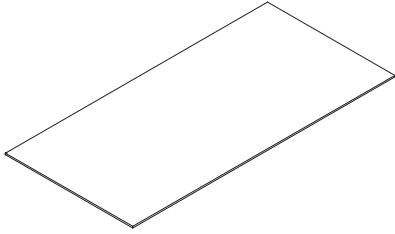
16 x6



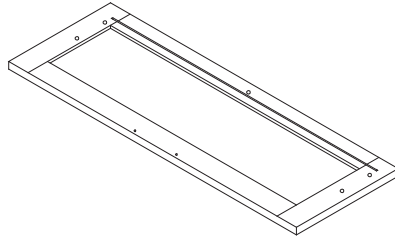
17 x6



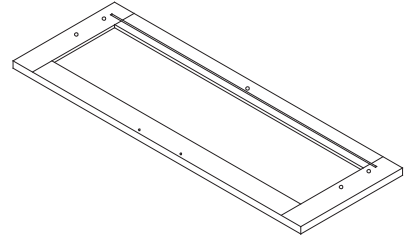
18 x6




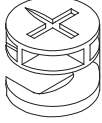




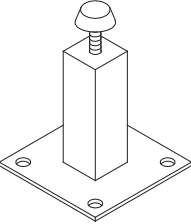
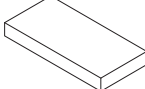
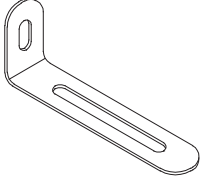

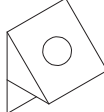
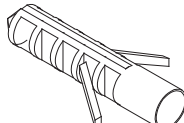
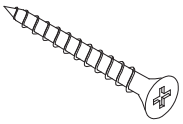
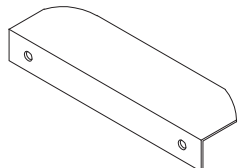
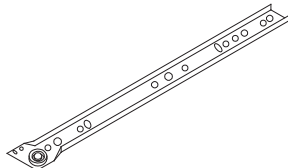
19 x6



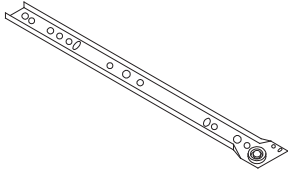
20 x3



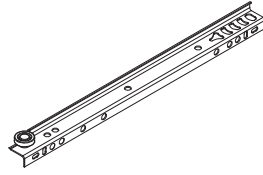
21 x3

<p>A</p>  <p>Cam Bolt</p> <p>80+2</p>	<p>B</p>  <p>Cam Lock</p> <p>80+2</p>	<p>C</p>  <p>3x12mm Screw</p> <p>72+2</p>
<p>D</p>  <p>8x30mm Wooden Dowel</p> <p>12+1</p>	<p>E</p>  <p>4x30mm Screw</p> <p>36+2</p>	<p>F</p>  <p>4x12mm Screw</p> <p>8</p>
<p>G</p>  <p>1</p>	<p>H</p>  <p>Foot Pad</p> <p>8</p>	<p>I</p>  <p>Tilting Prevention Device</p> <p>2</p>
<p>J</p>  <p>3x15mm Screw</p> <p>8</p>	<p>K</p>  <p>Rear Panel Hooks</p> <p>8</p>	<p>L</p>  <p>Anchor</p> <p>2</p>
<p>M</p>  <p>4x35mm Screw</p> <p>2</p>	<p>N</p>  <p>Knob</p> <p>6</p>	<p>CL</p>  <p>Left Glider</p> <p>6</p>

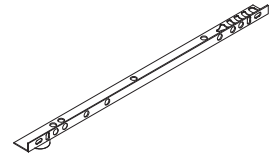
CR



DL



DR



Right Glider

6

Left Slider

6

Right Slider

6



Note: Please do not use any power tools. Use of power tools may cause damage and void manufacture warranty.

## Instructions For Fastening Cam Bolt and Cam Lock



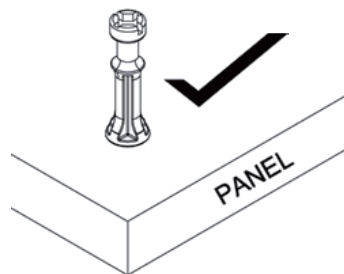
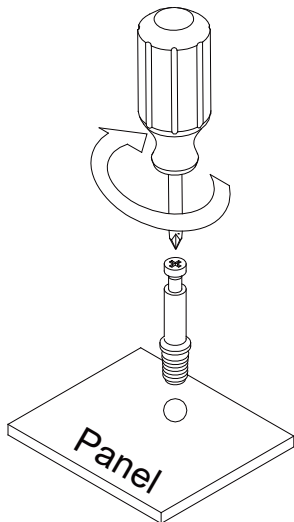
CAM BOLT



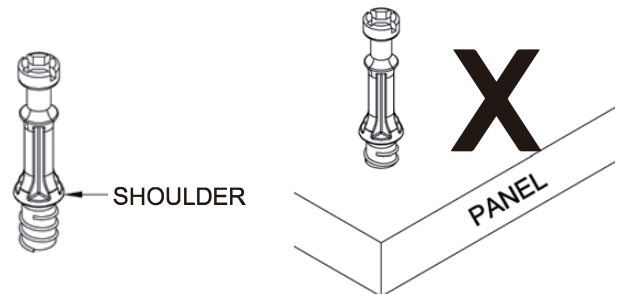
CAM LOCK

### Cam Bolt

Place Cam Bolt on the designated pre-drilled hole on the panel. Use a Phillips Screwdriver to screw in Cam Bolt vertically until shoulder is snug and flushed with panel. Do not over-tighten or under-tighten Cam-bolt. See illustrations below.



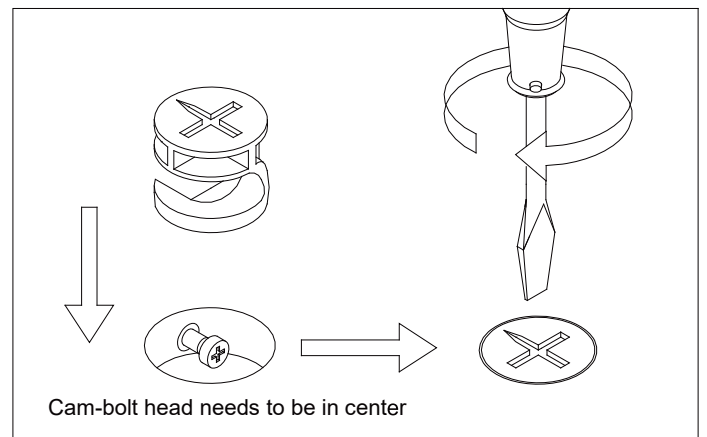
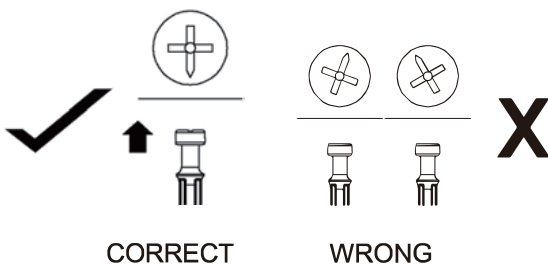
Shoulder is flushed (on the same level) with the panel.



Shoulder is above the panel.

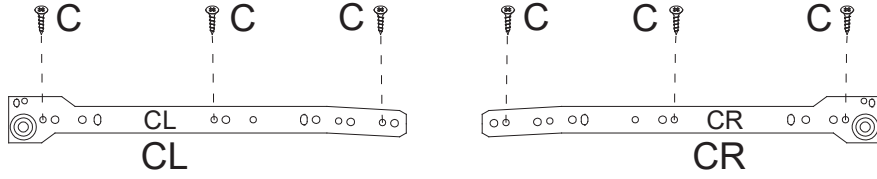
### CAM-LOCK


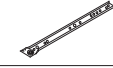

Align the arrow on the Cam-lock to the Cam-bolt head and insert the Cam-lock.

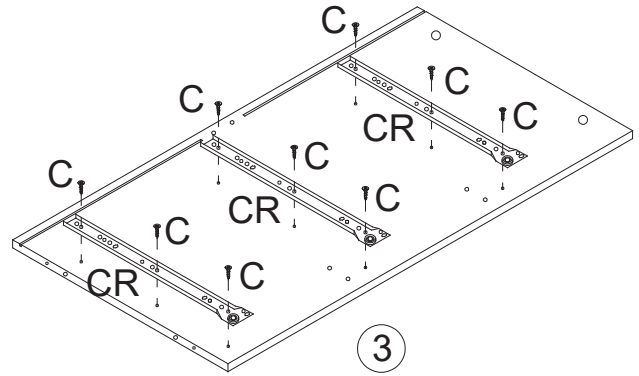
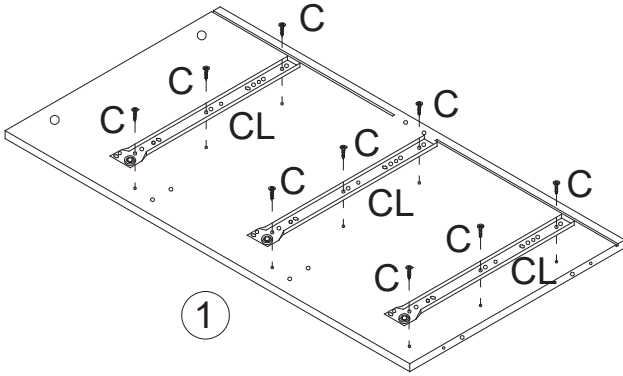


Use a Flat-head Screwdriver to turn Cam Lock clockwise to lock onto the head of the Cam Bolt. Turn until it is snug (about a half turn) – over-tightening could damage Cam Lock and/or Cam Bolt.

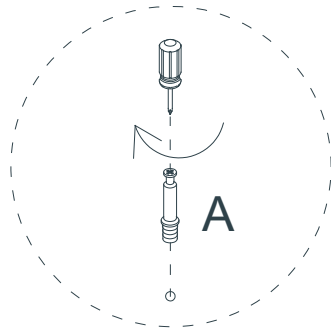
# Step 1

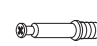


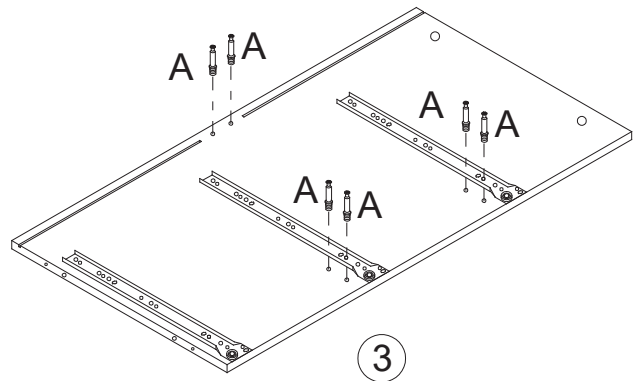
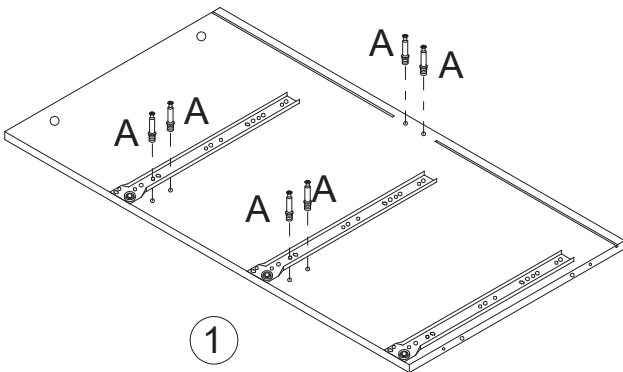
Hardware Needed		
C		X18
CL		X3
CR		X3



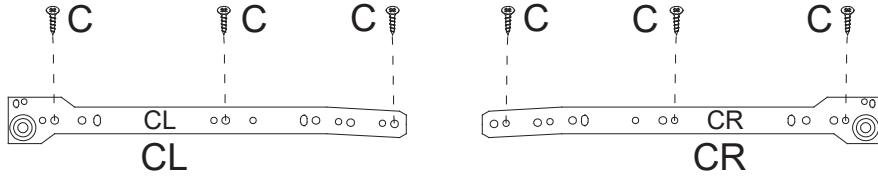
# Step 2


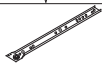
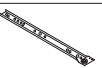


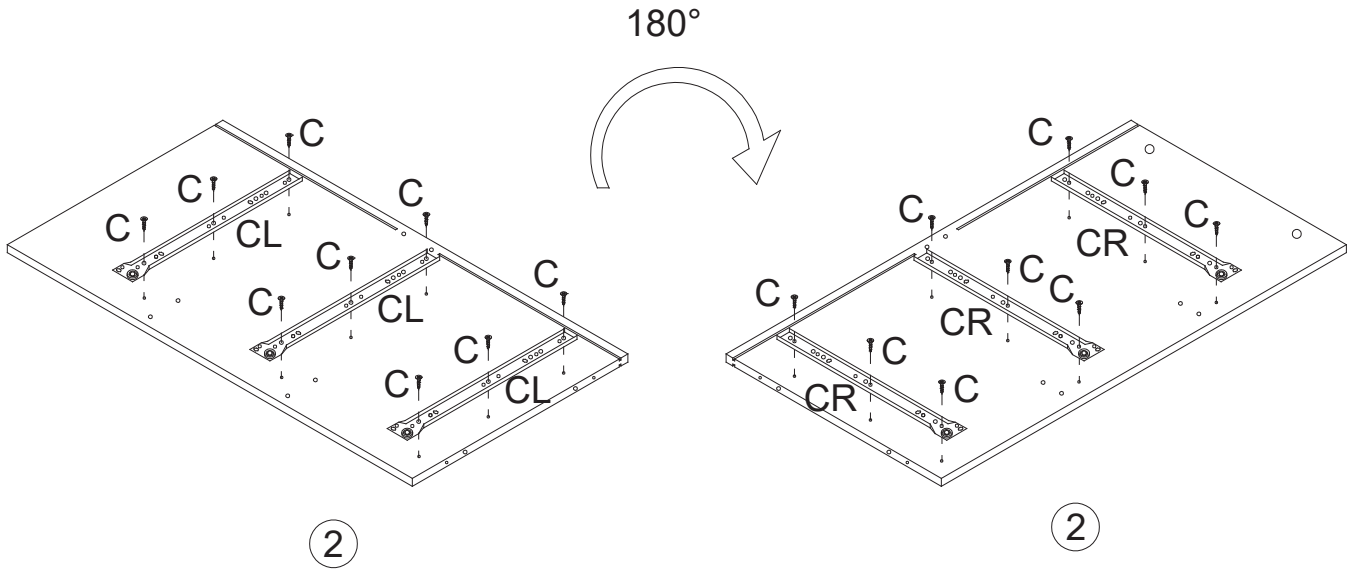
Hardware Needed		
A		X12



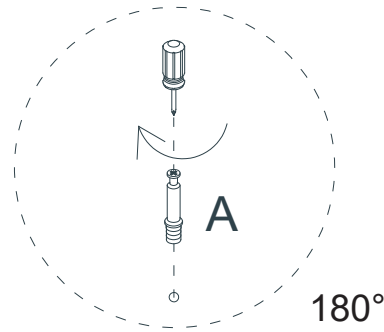
### Step 3




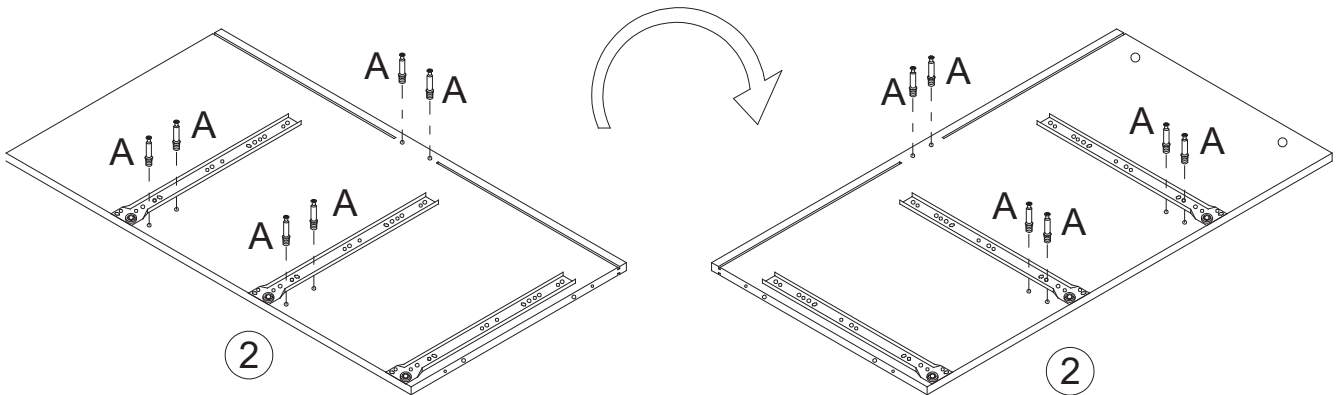
Hardware Needed		
C		X18
CL		X3
CR		X3



### Step 4



Hardware Needed		
A		X12



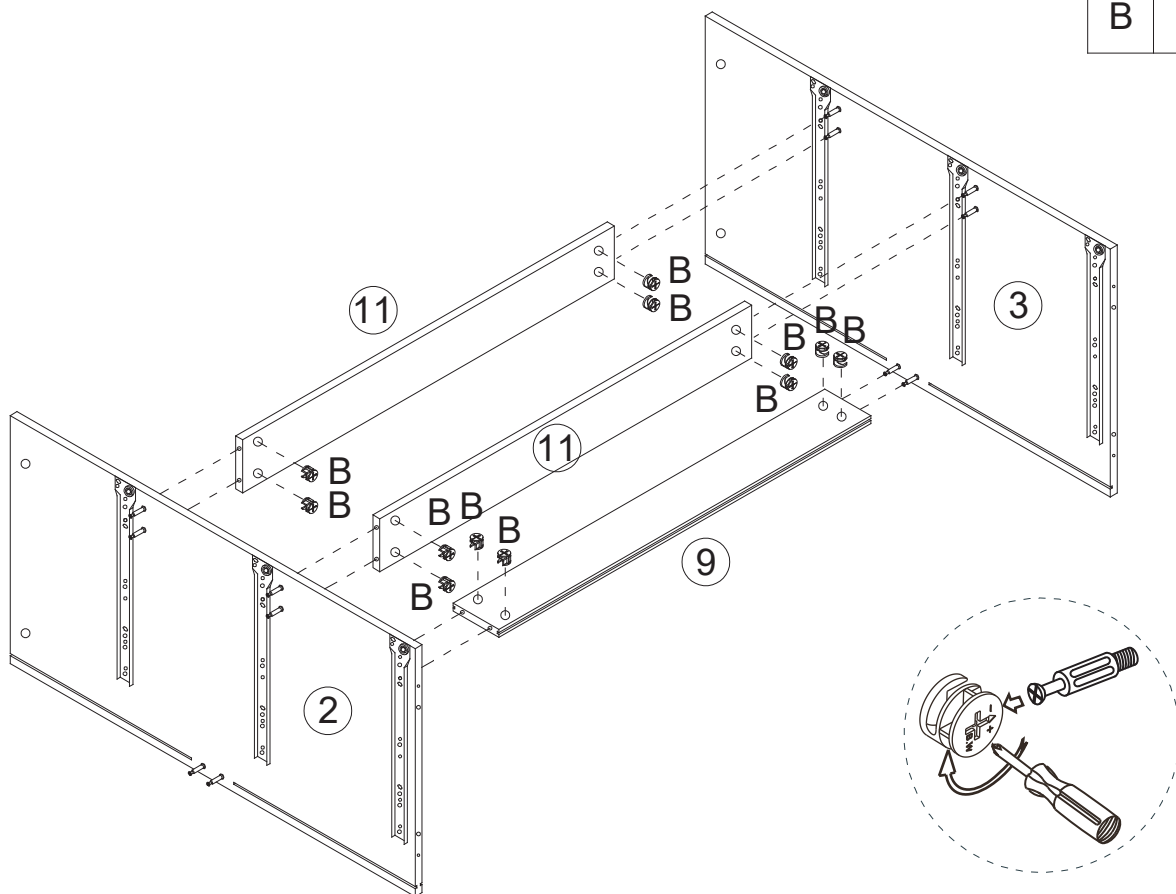
# Step 5

## Hardware Needed

B



X12



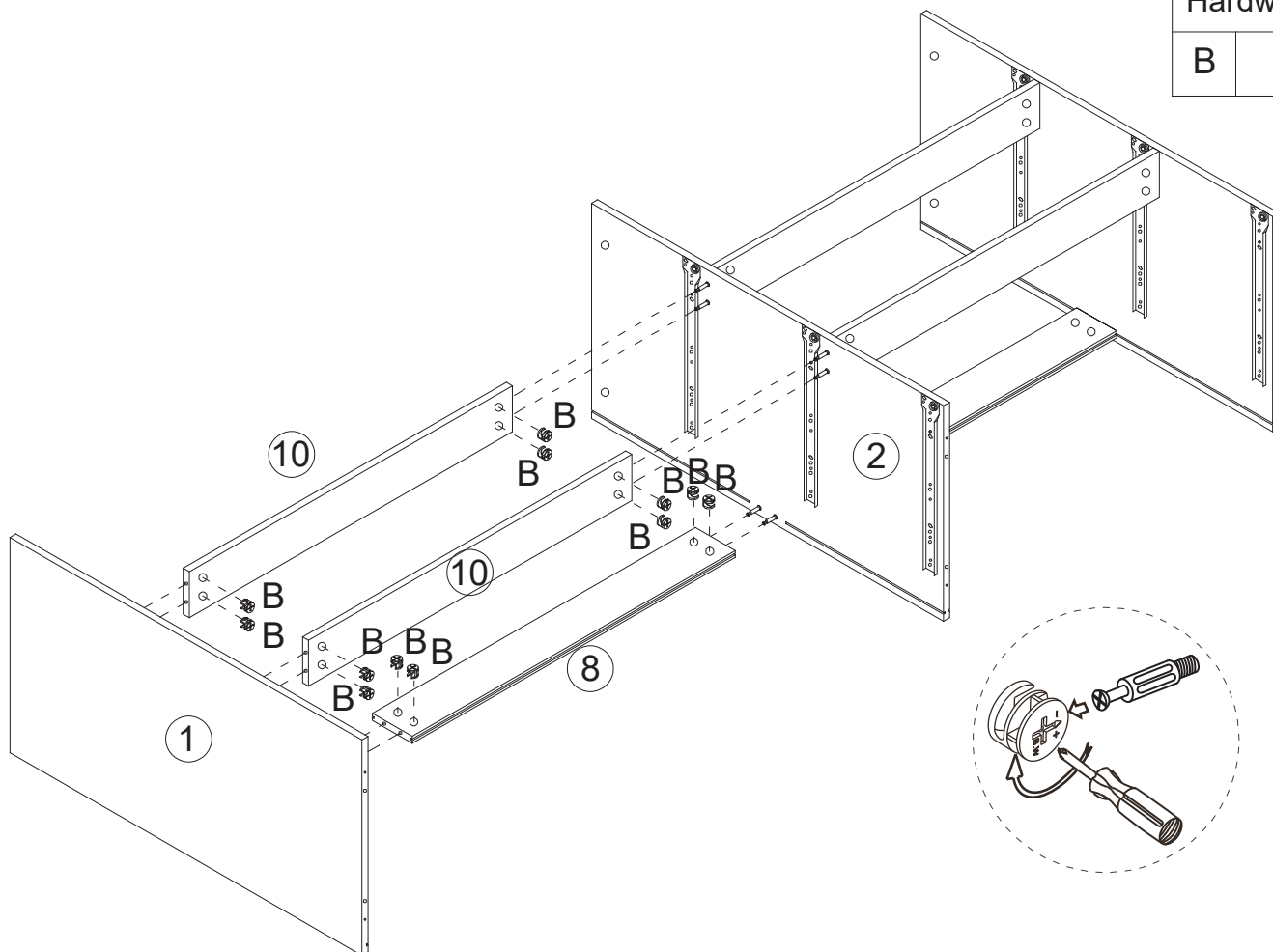
# Step 6

## Hardware Needed

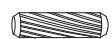
B

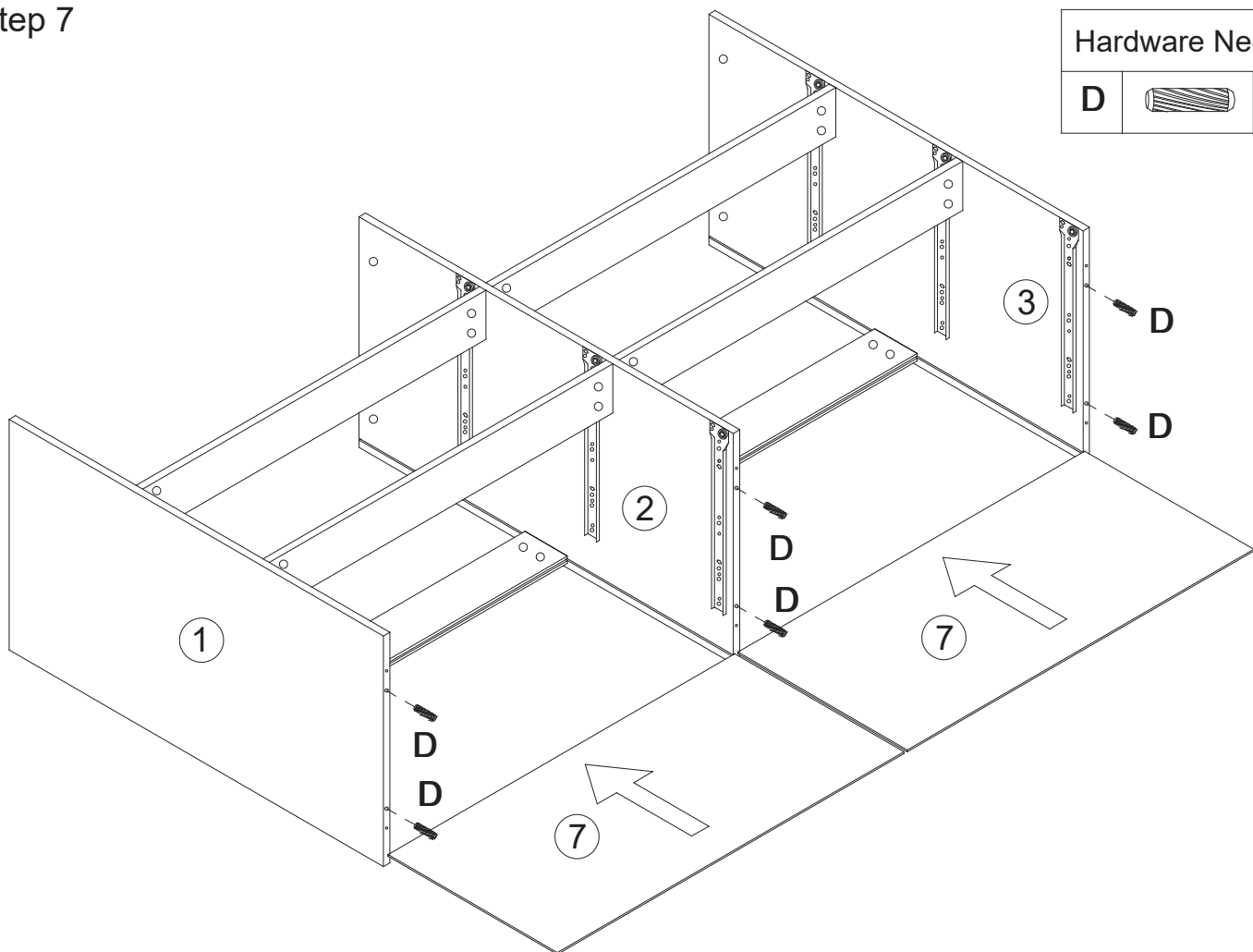


X12




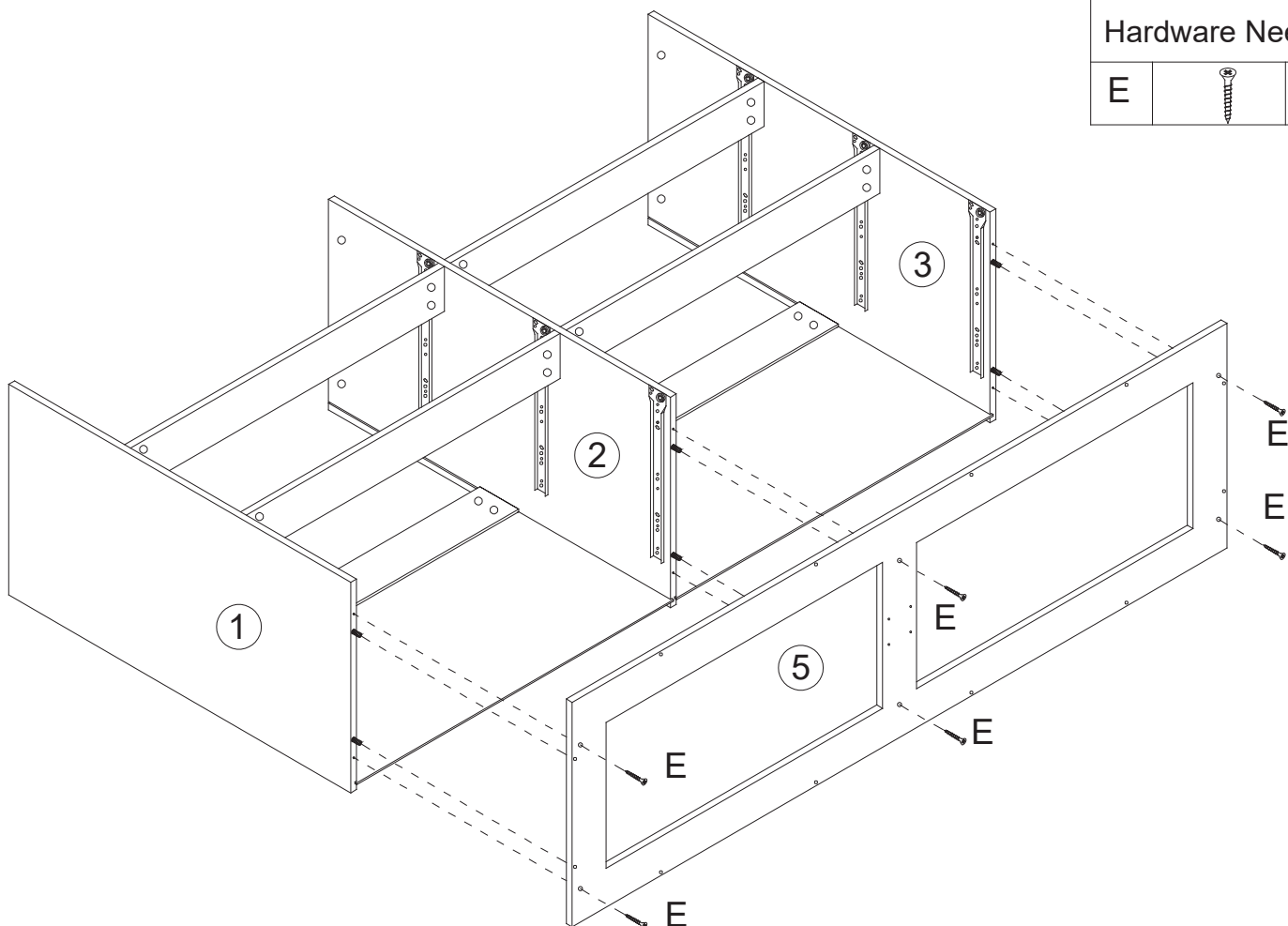
# Step 7

Hardware Needed		
D		X6

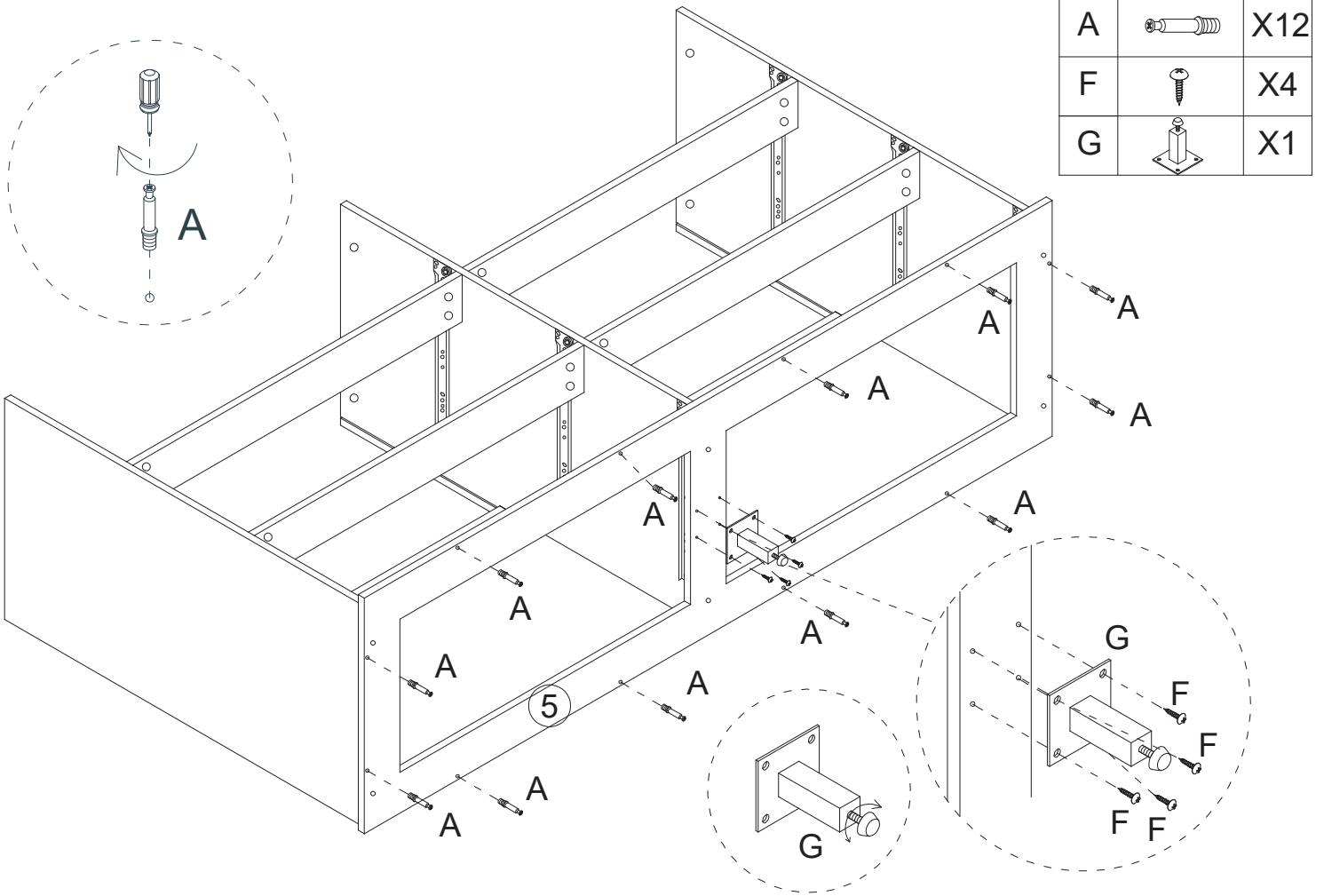


# Step 8



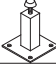
Hardware Needed		
E		X6



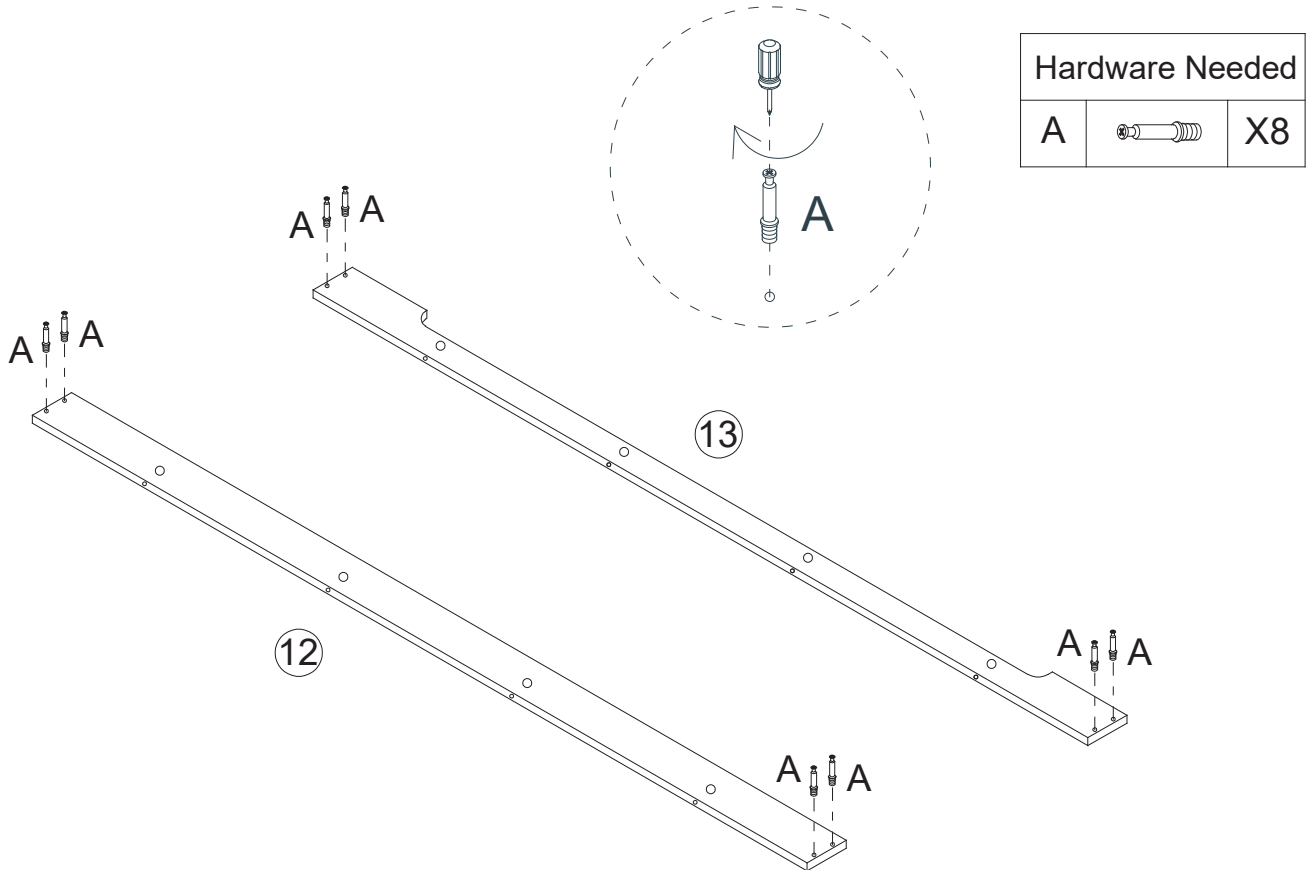
### Step 9



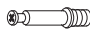
#### Hardware Needed

A		X12
F		X4
G		X1

### Step 10



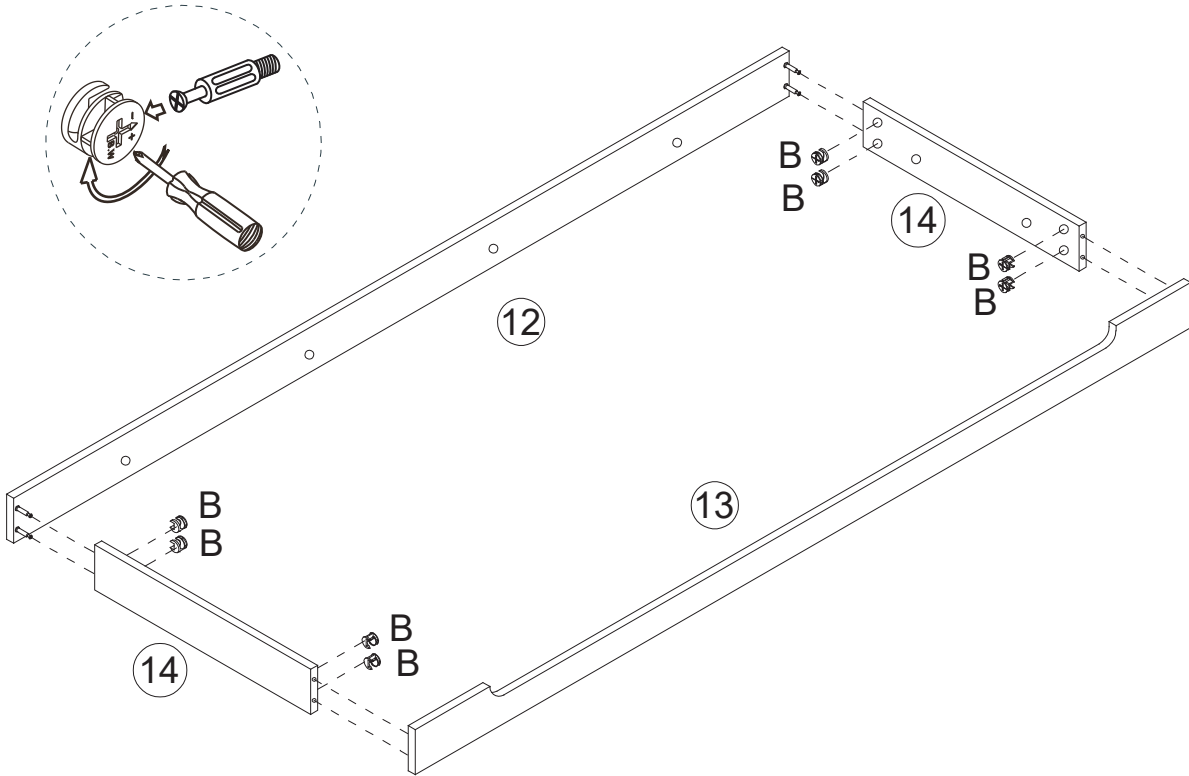
#### Hardware Needed

A		X8
---	---	----

# Step 11

## Hardware Needed

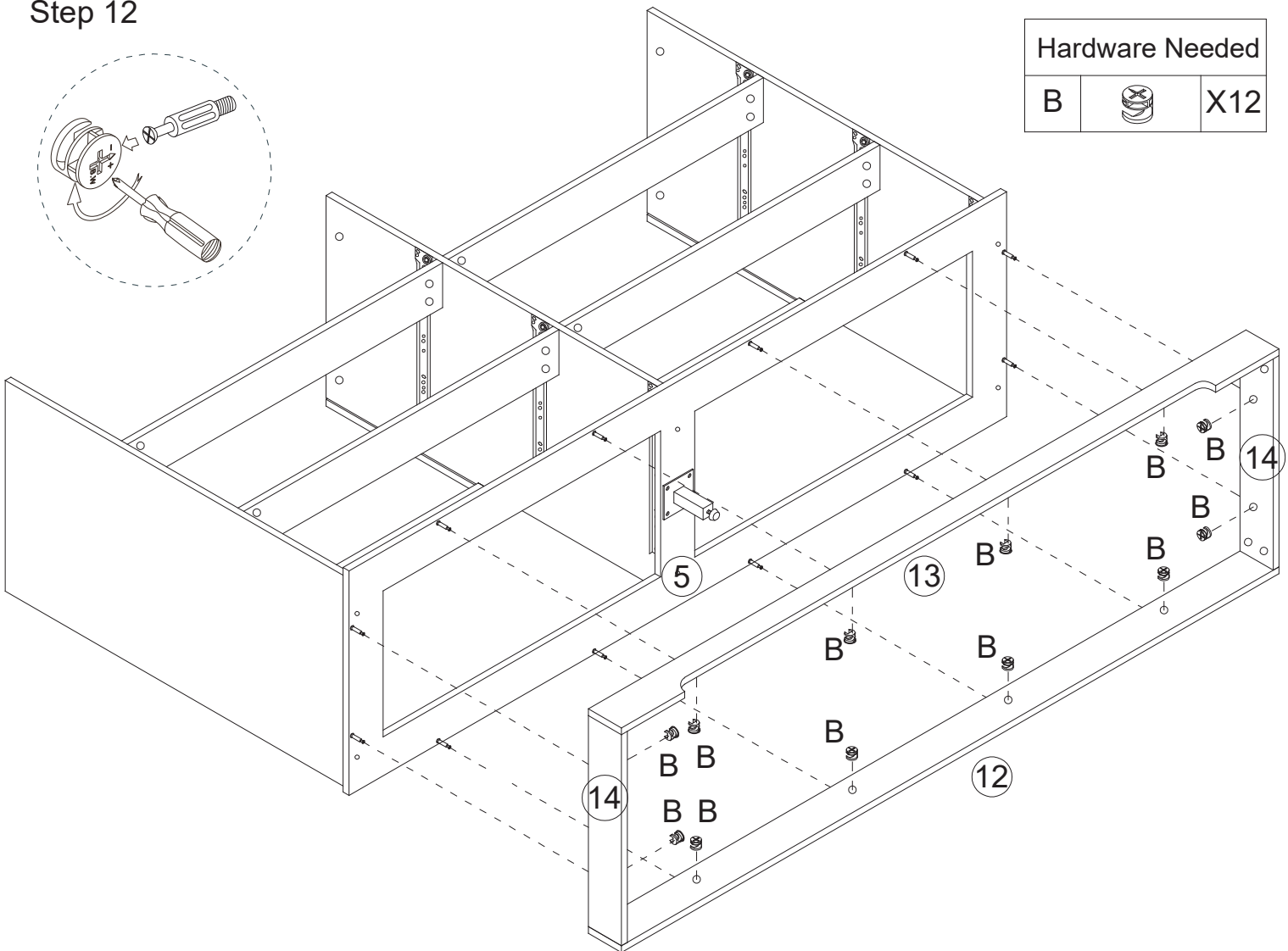
B		X8
---	---	----



# Step 12

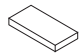
## Hardware Needed

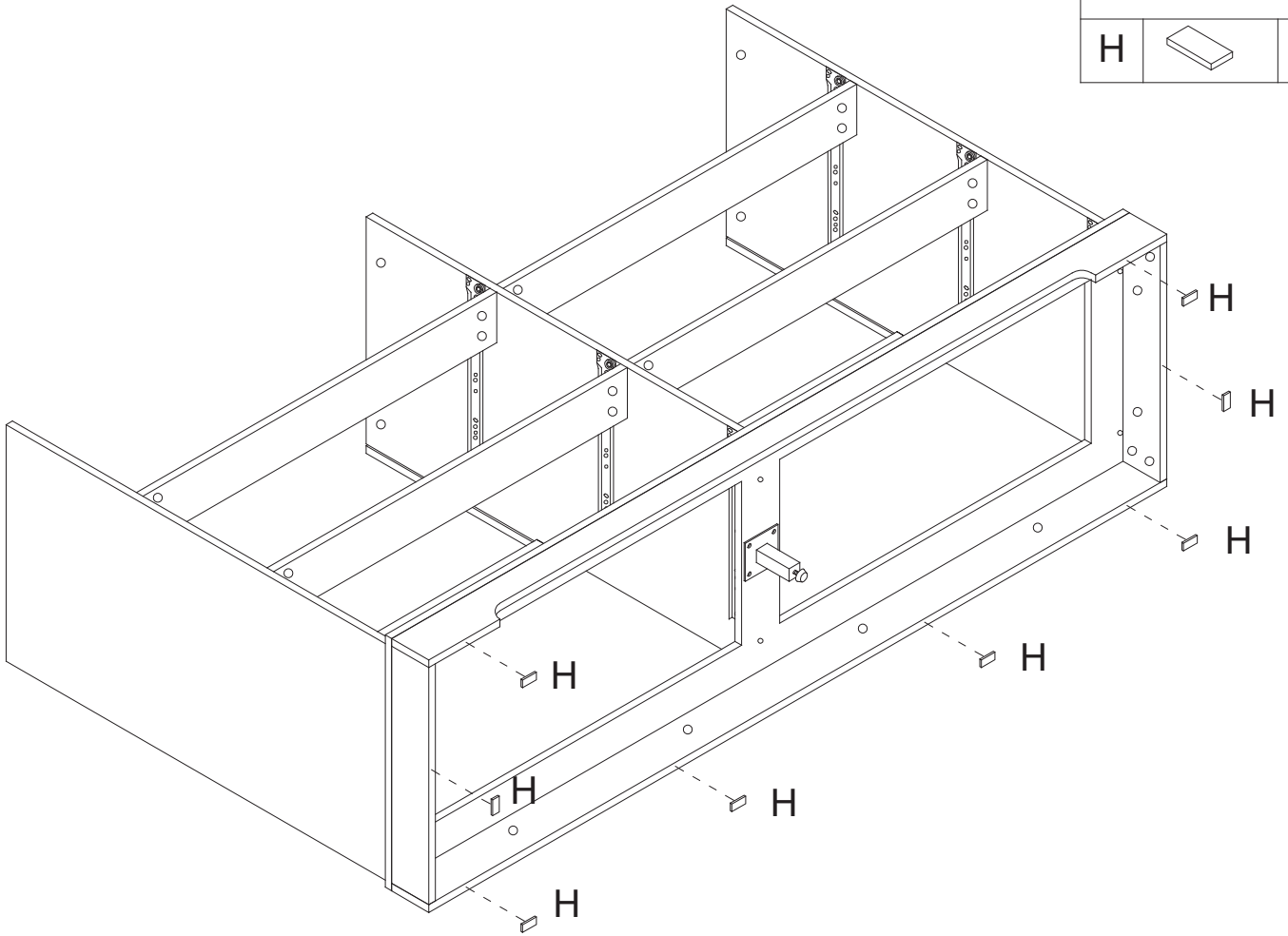
B		X12
---	---	-----



### Step 13

#### Hardware Needed

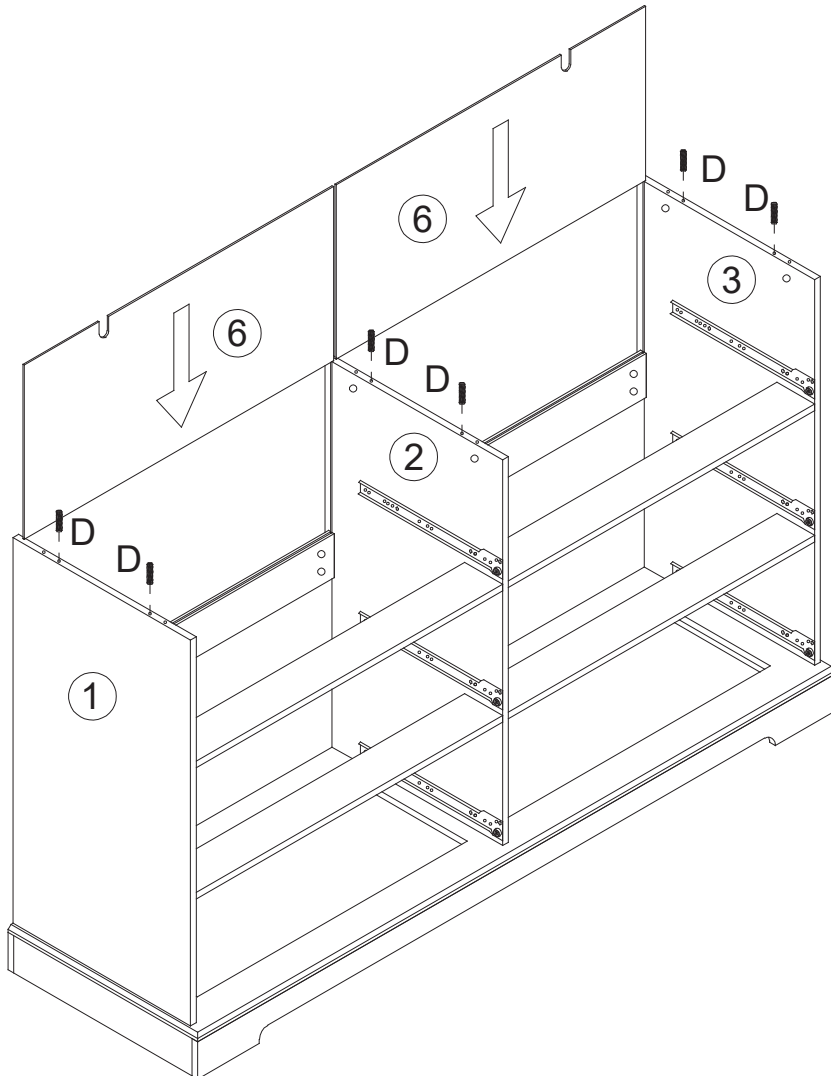
H		X8
---	---	----



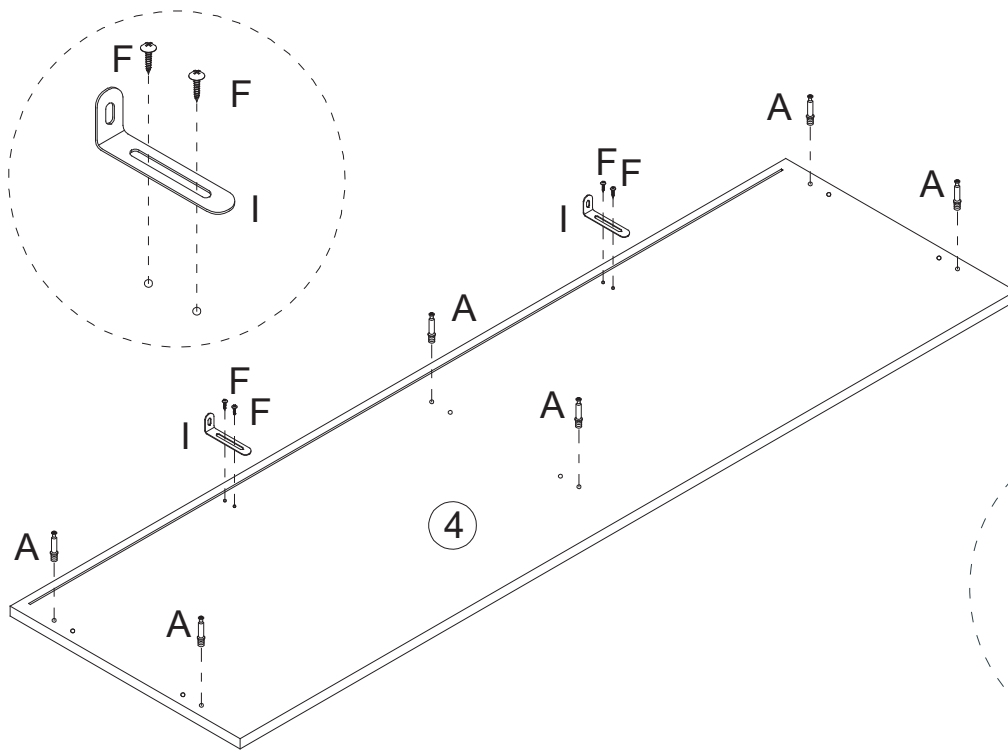
### Step 14




#### Hardware Needed

D		X6
---	---	----

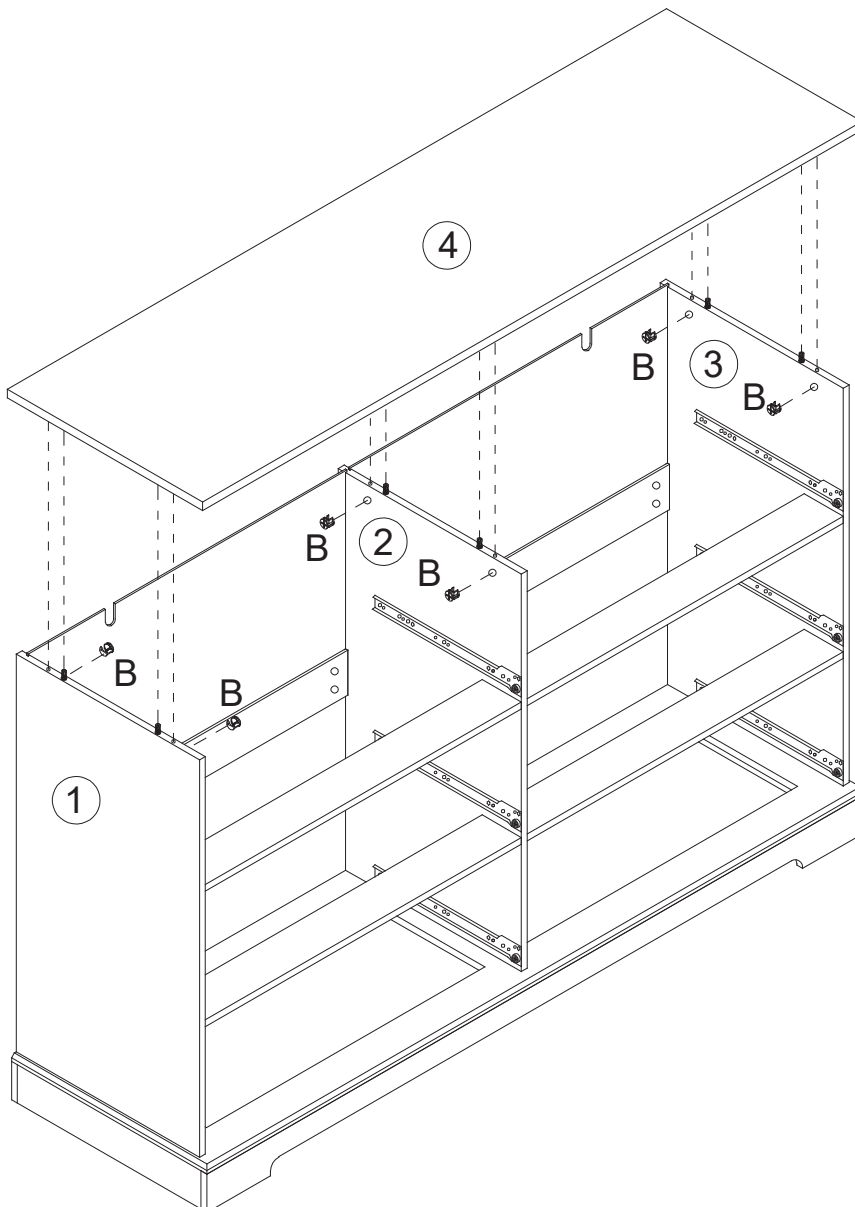



# Step 15



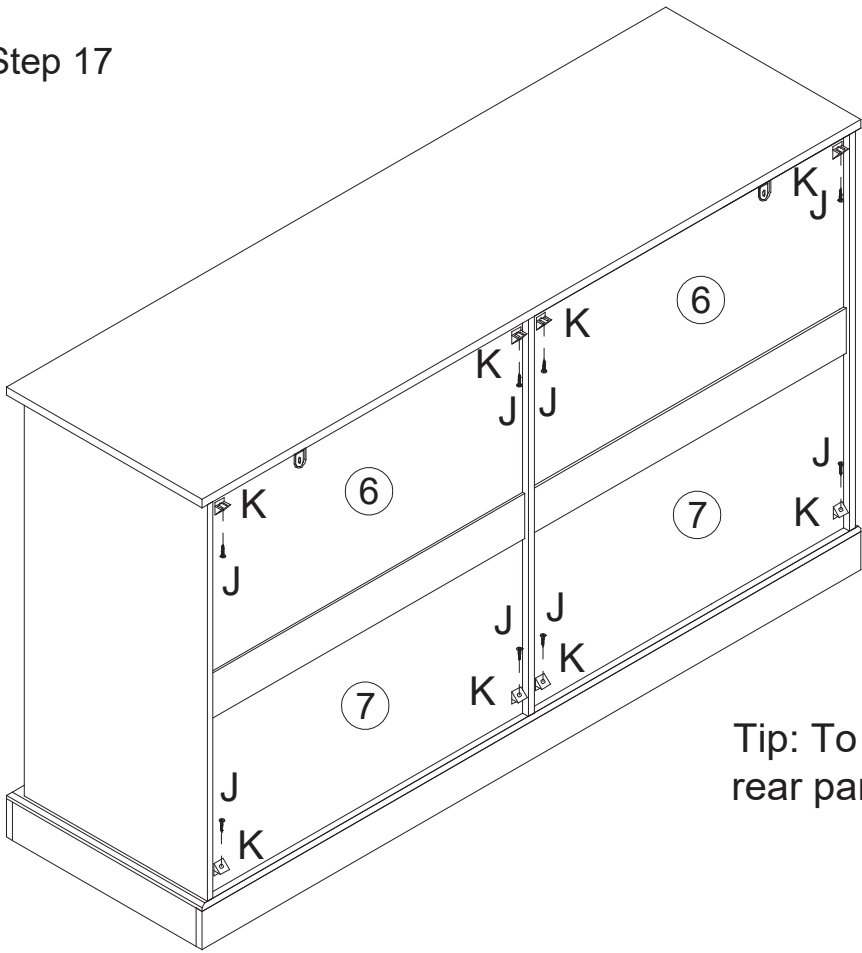
Hardware Needed		
A		X6
F		X4
I		X2



# Step 16

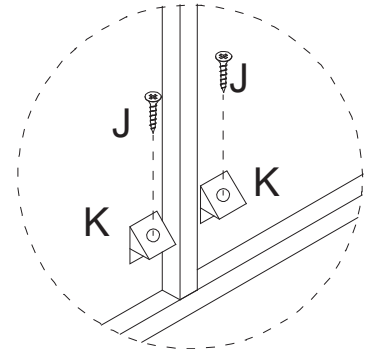


Hardware Needed		
B		X6

### Step 17

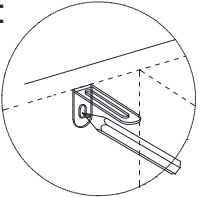
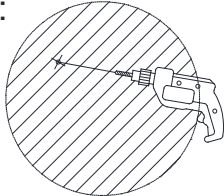
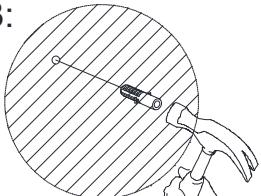
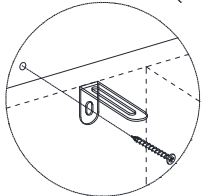


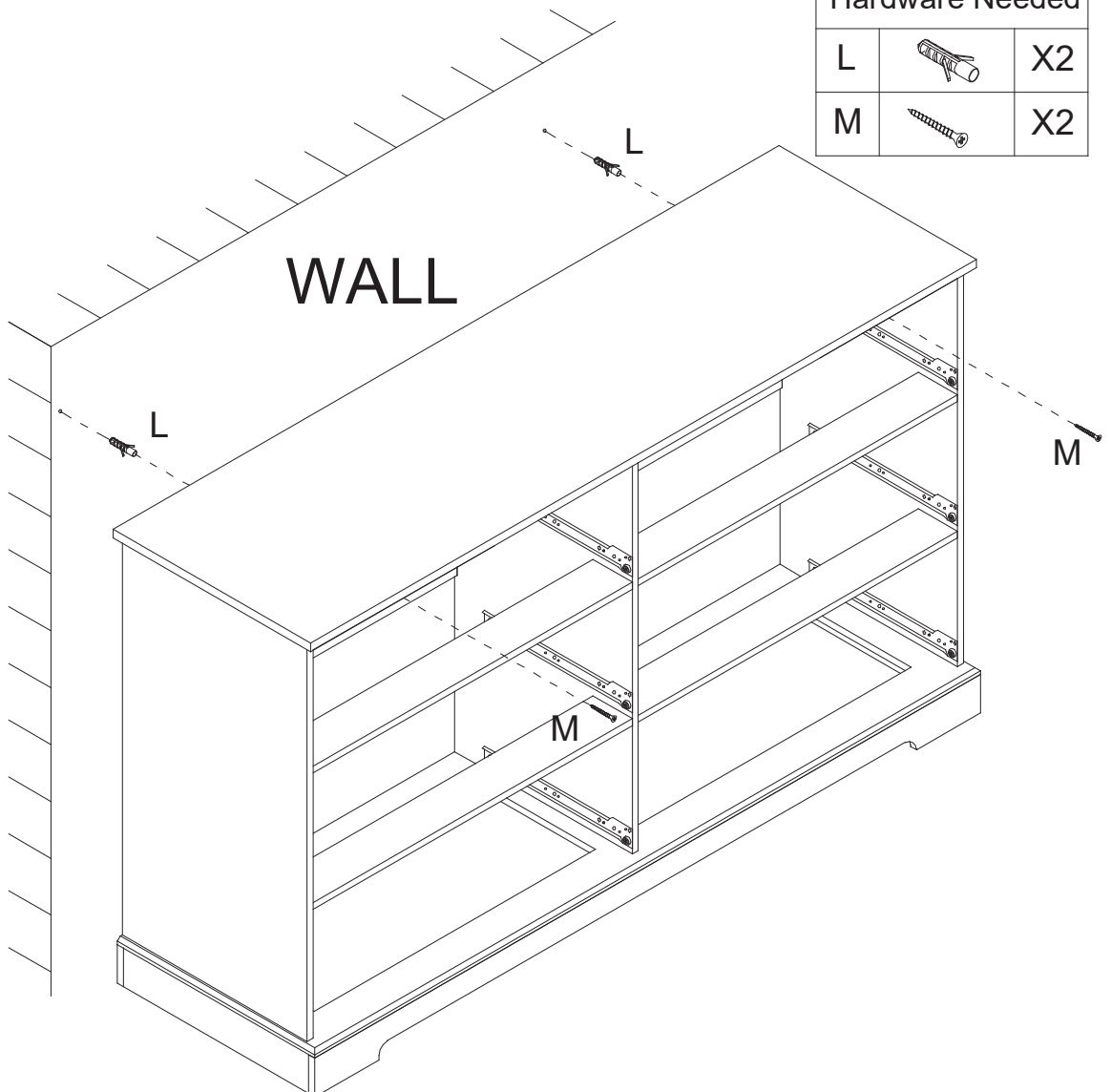
Hardware Needed		
J		X8
K		X8





Tip: To increase stability please lock the rear pane hooks at a right angle position.

### Step 18


- 1: 
- 2: 
- 3: 
- 4: 

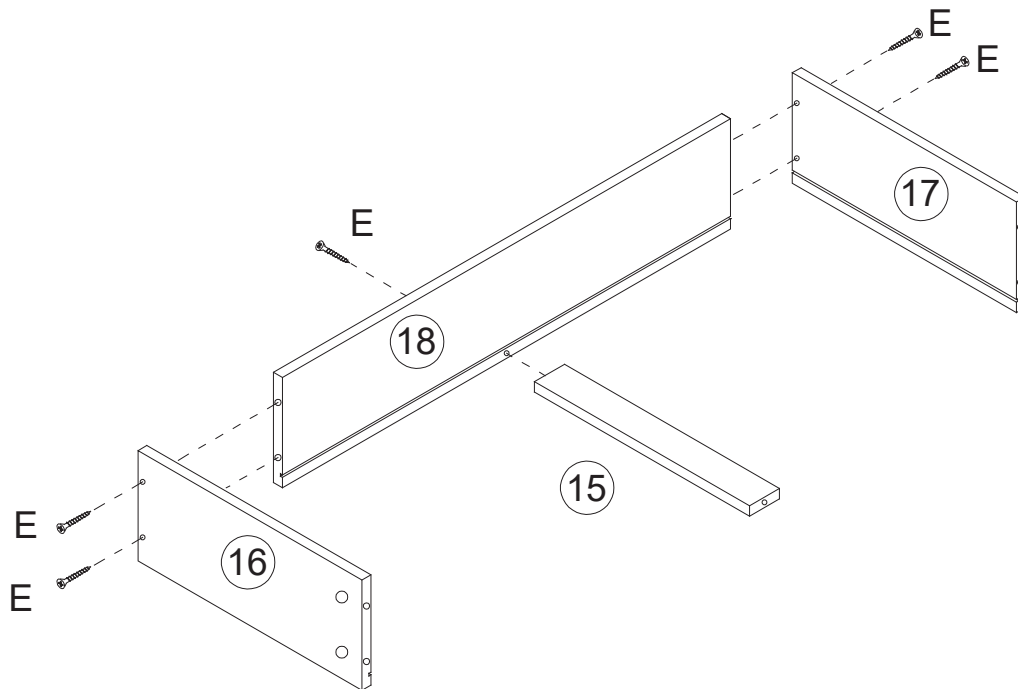


Hardware Needed		
L		X2
M		X2

# Step 19

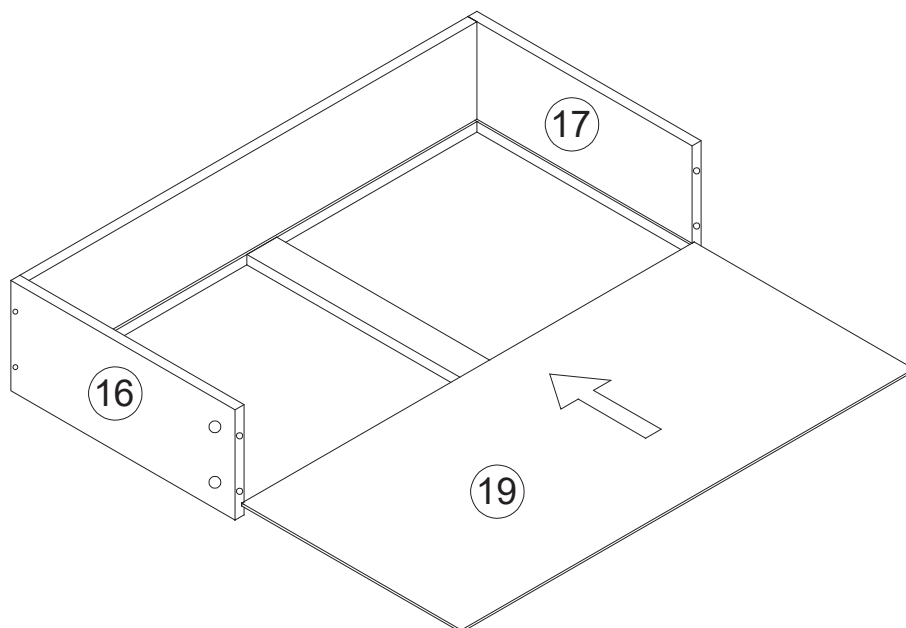
## Hardware Needed

E		X30
---	---	-----



# X6


# Step 20

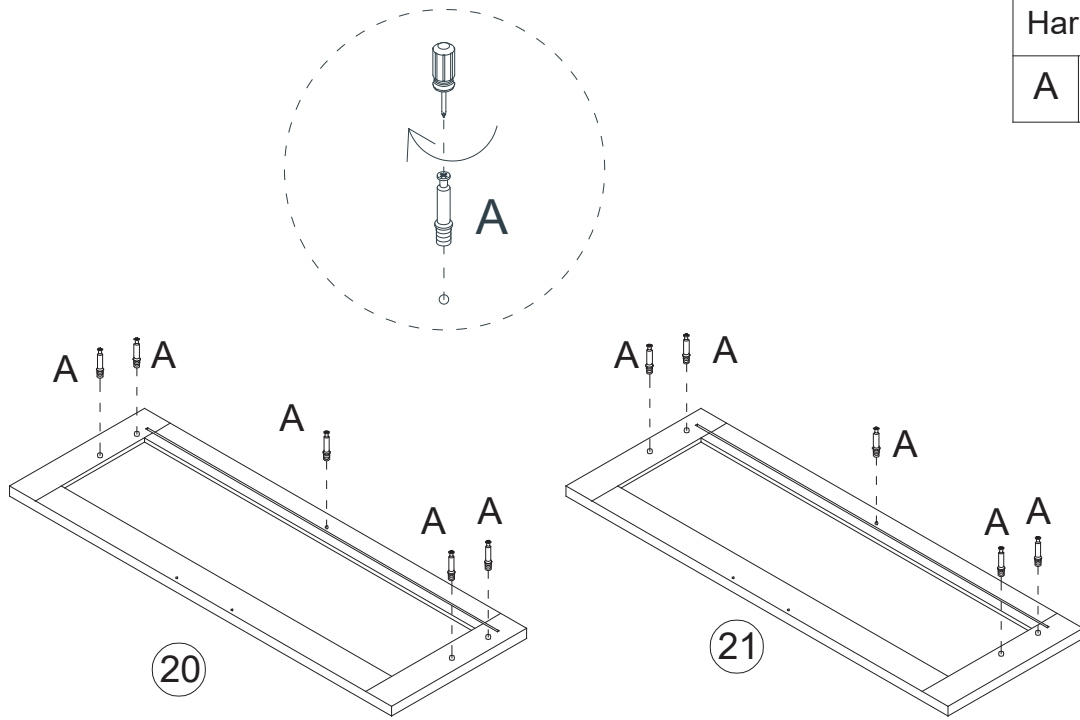


# X6

## Step 21

### Hardware Needed

A		X30
---	---	-----

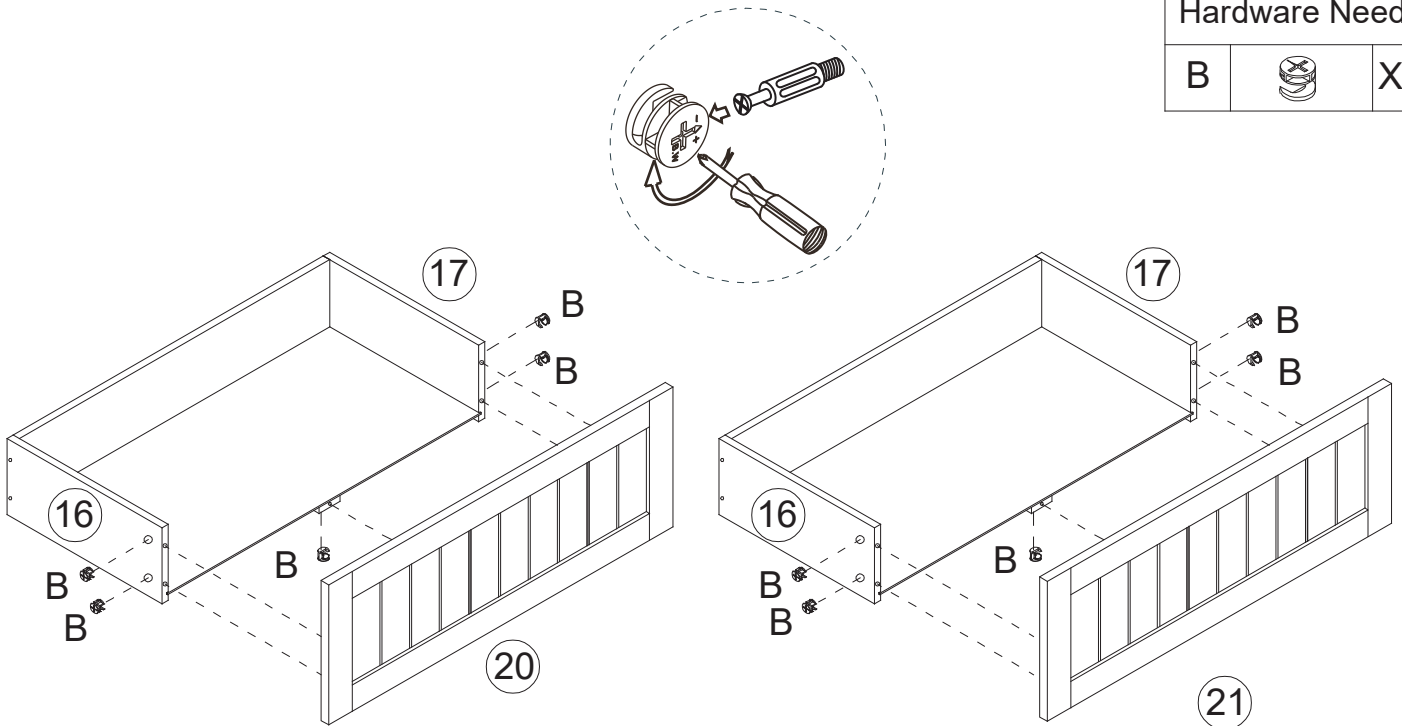


# X3

## Step 22

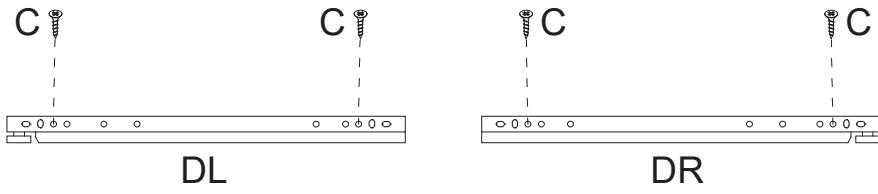
### Hardware Needed




B		X30
---	---	-----

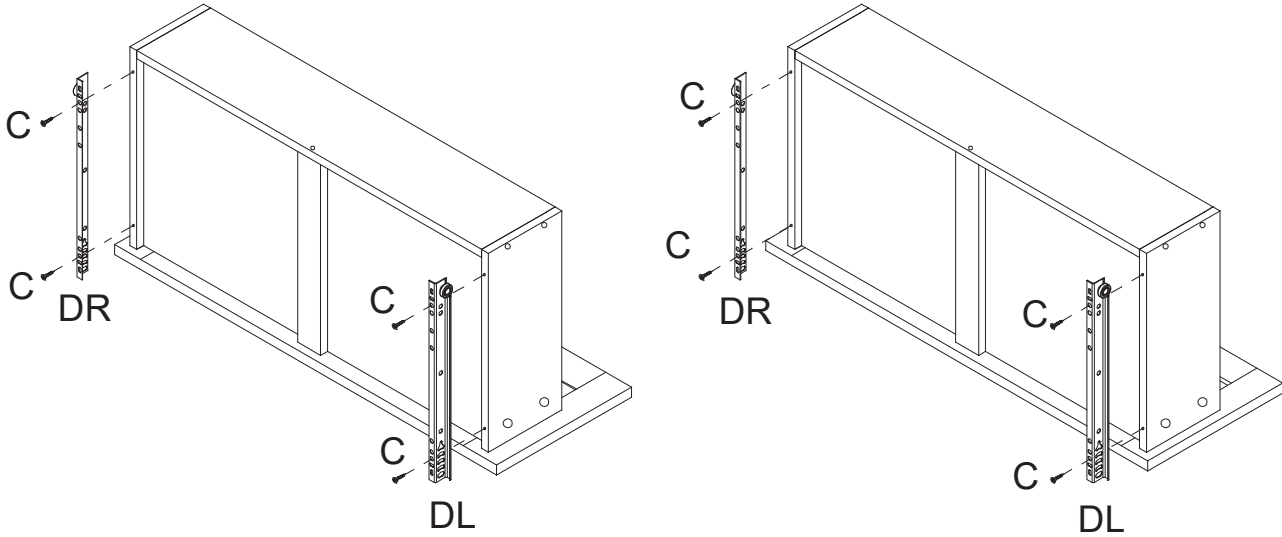


# X3

Step 23

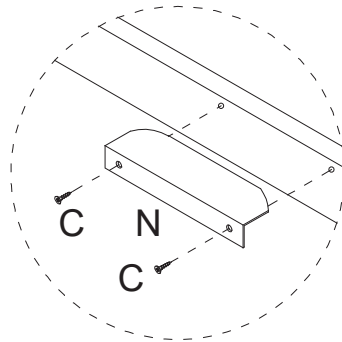



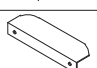
Hardware Needed		
DL		X6
DR		X6
C		X24

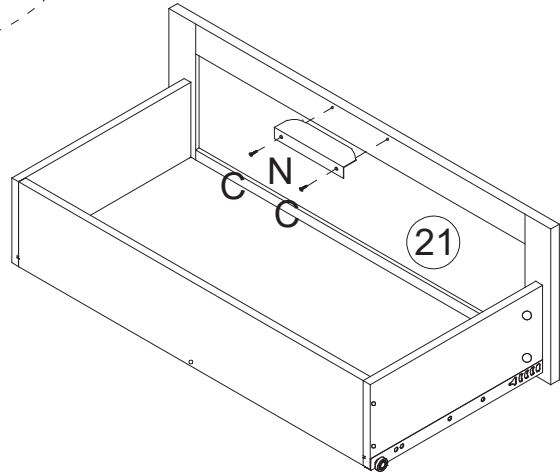
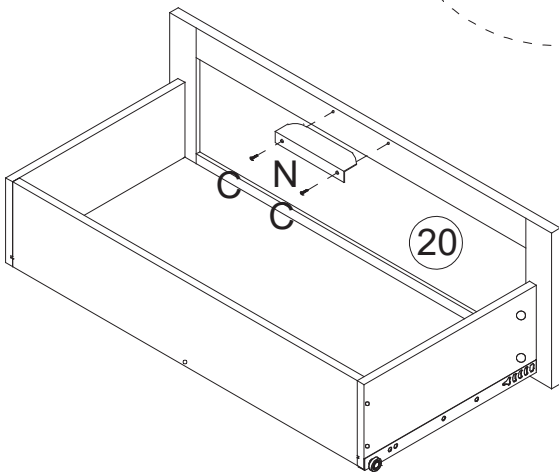


X3

Step 24



Hardware Needed		
C		X12
N		X6



X3

Step 25

