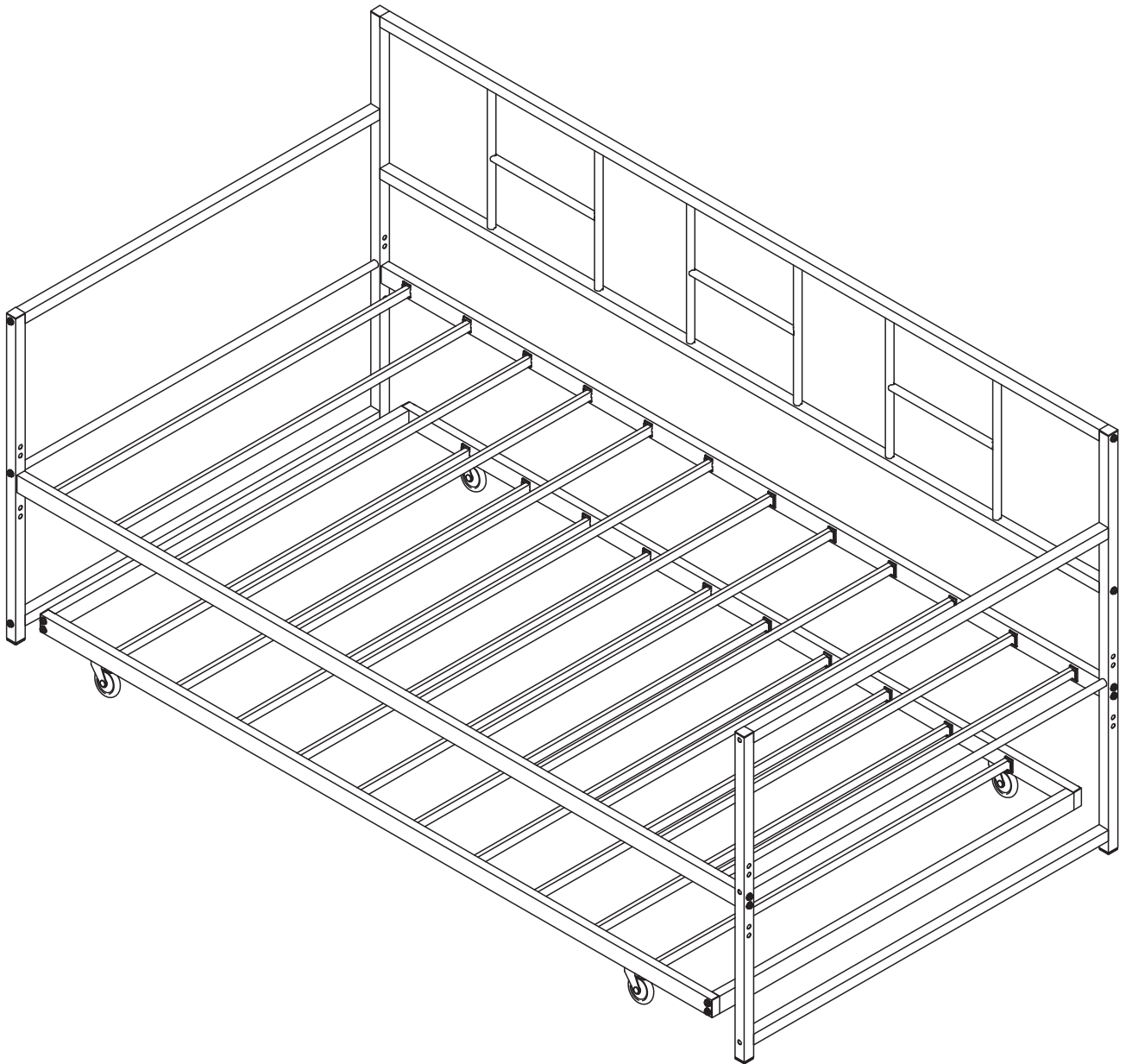


**XMJH-V 1**



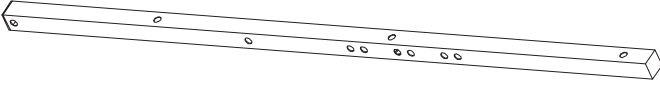
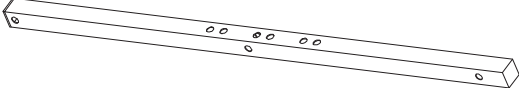
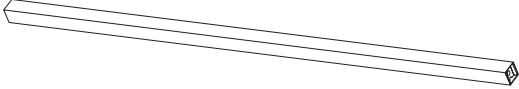

FTBFBF-2005

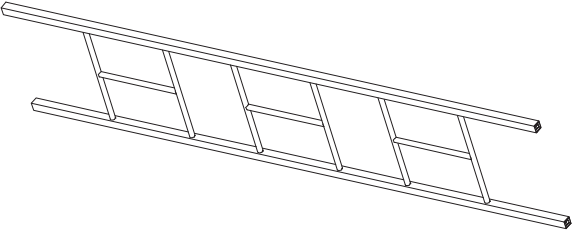

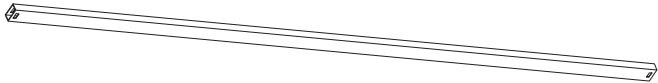
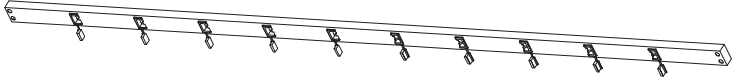
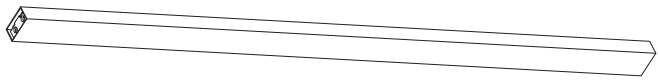
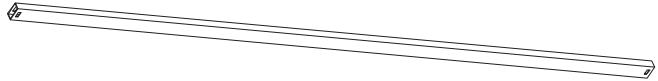

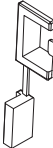


**BED FRAME**



1. Two or more people are required for the assembly.
2. To avoid squeaking, fix the bolts tight until they can no longer turn. An electric drill is recommended for the assembly.

Item no.	Reference Image	Qty.
<p style="text-align: center;">(A)</p>		<p style="text-align: center;">X1</p>
<p style="text-align: center;">(B)</p>		<p style="text-align: center;">X32+2extra</p>
<p style="text-align: center;">(C)</p>		<p style="text-align: center;">X2</p>
<p style="text-align: center;">(D)</p>		<p style="text-align: center;">X2</p>
<p style="text-align: center;">(E)</p>		<p style="text-align: center;">X4</p>
<p style="text-align: center;">(F)</p>		<p style="text-align: center;">X2</p>

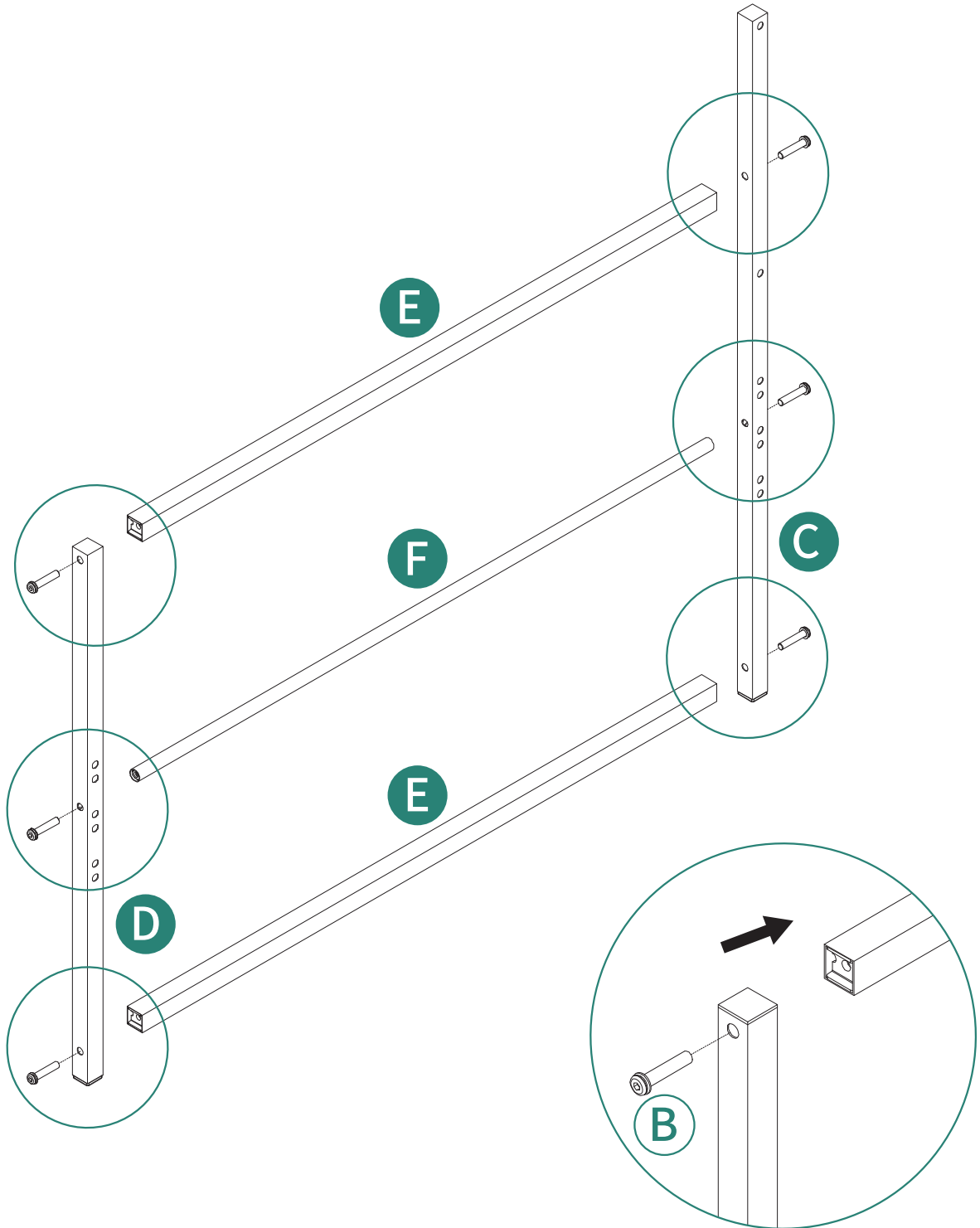
Item no.	Reference Image	Qty.
<p style="text-align: center;"><b>G</b></p>		<p style="text-align: center;">X1</p>
<p style="text-align: center;"><b>H</b></p>		<p style="text-align: center;">X2</p>
<p style="text-align: center;"><b>I</b></p>		<p style="text-align: center;">X12</p>
<p style="text-align: center;"><b>J</b></p>		<p style="text-align: center;">X2</p>
<p style="text-align: center;"><b>K</b></p>		<p style="text-align: center;">X2</p>
<p style="text-align: center;"><b>L</b></p>		<p style="text-align: center;">X10</p>
<p style="text-align: center;"><b>M</b></p>		<p style="text-align: center;">X4</p>
<p style="text-align: center;"><b>N</b></p>		<p style="text-align: center;">4extra</p>

**1**

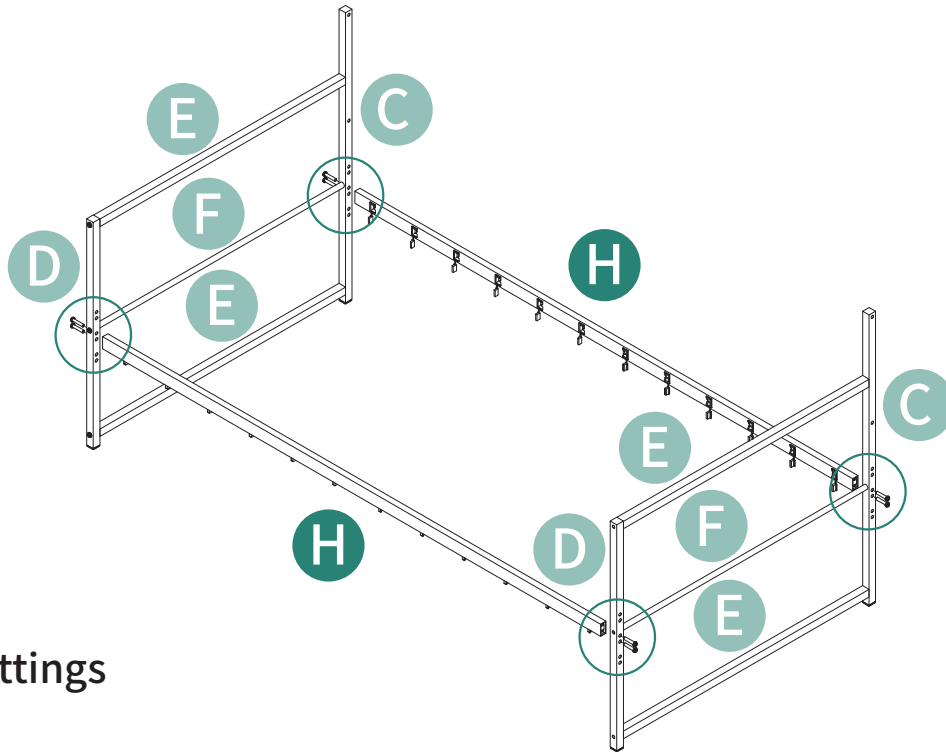
**X2**



Ⓑ 12pcs Ⓒ 2pcs Ⓓ 2pcs Ⓔ 4pcs Ⓕ 2pcs

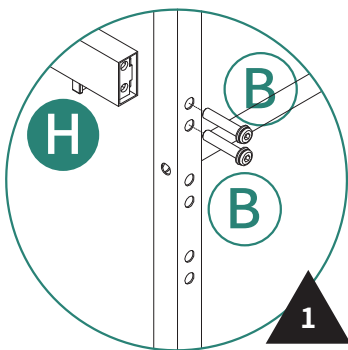


# 2

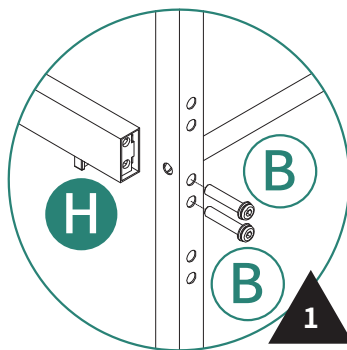


### 3 Height Settings

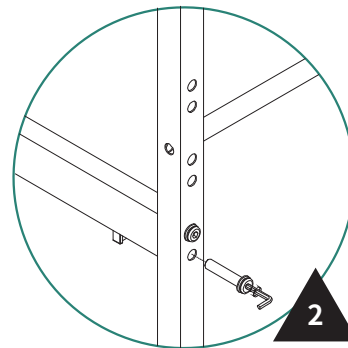
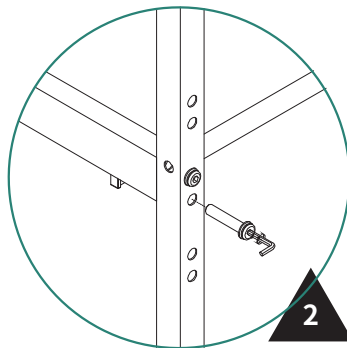
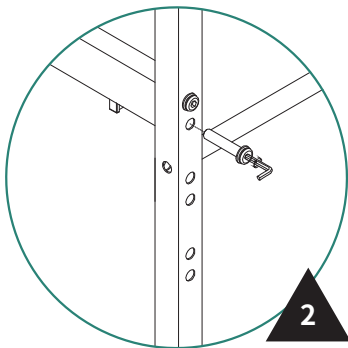
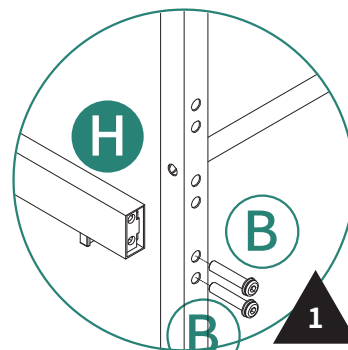
Method 1



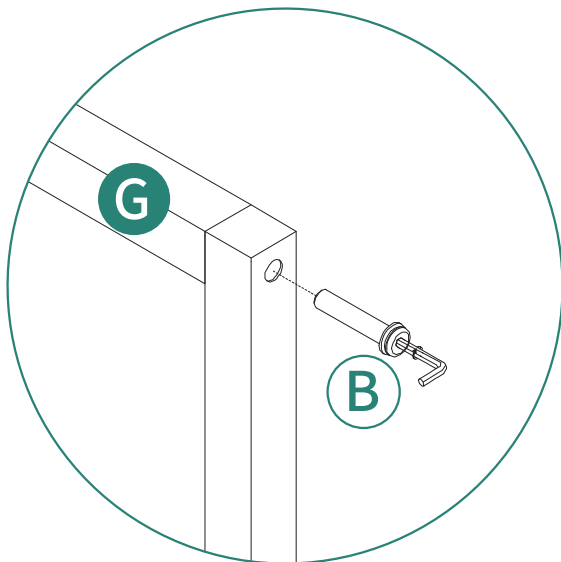
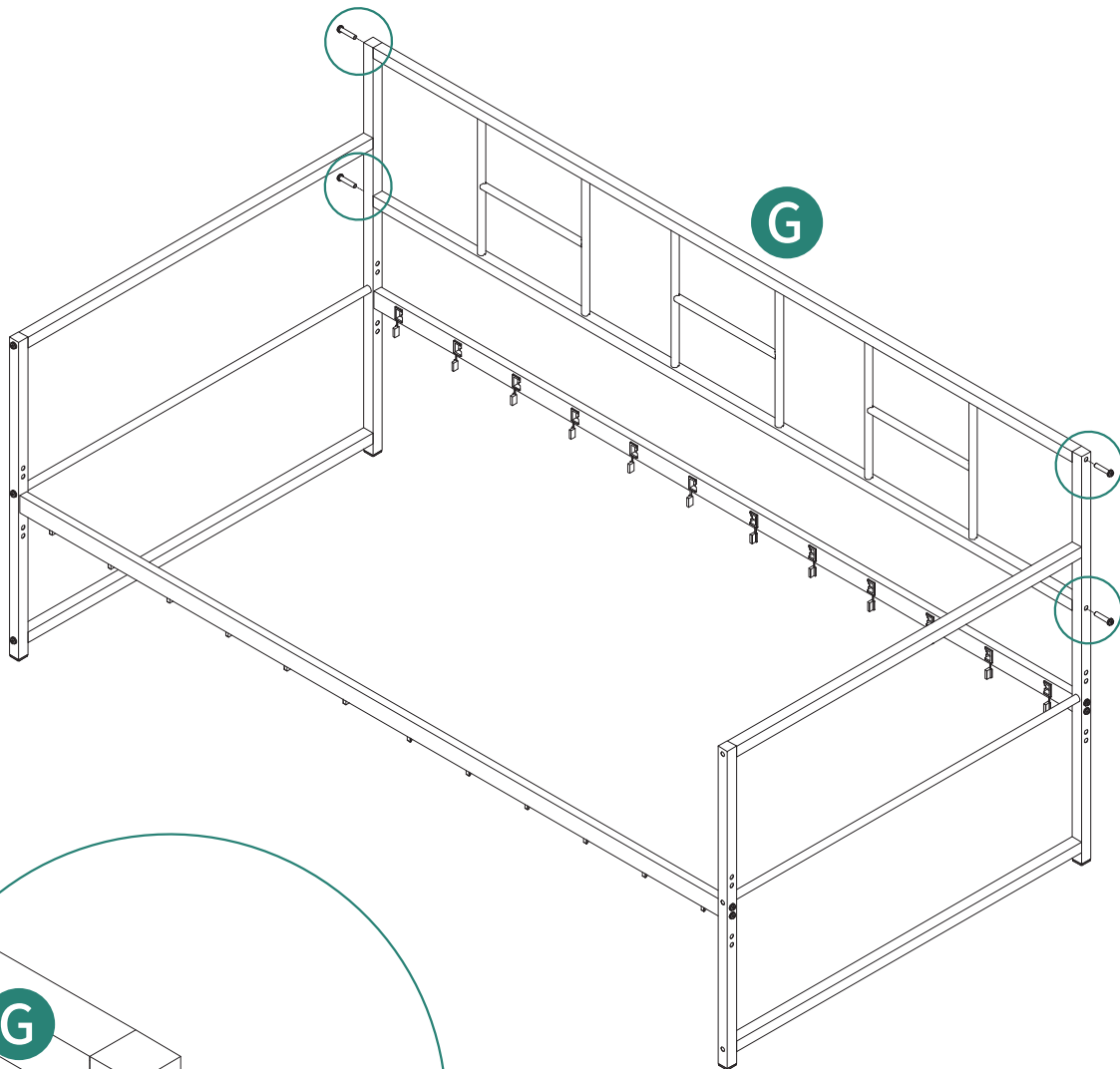
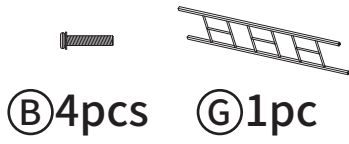
Method 2



Method 3



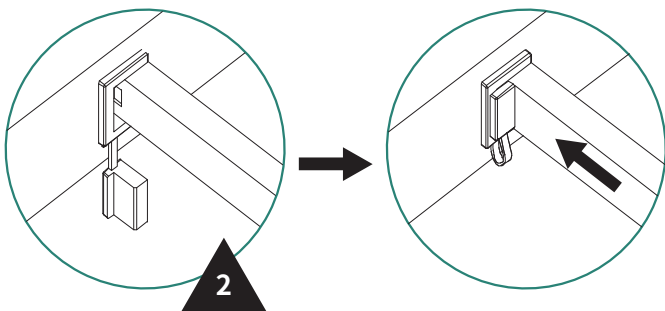
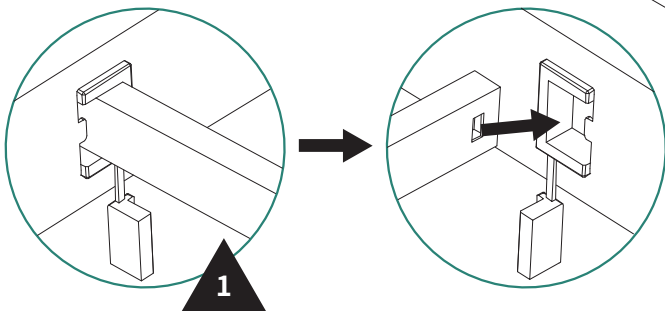
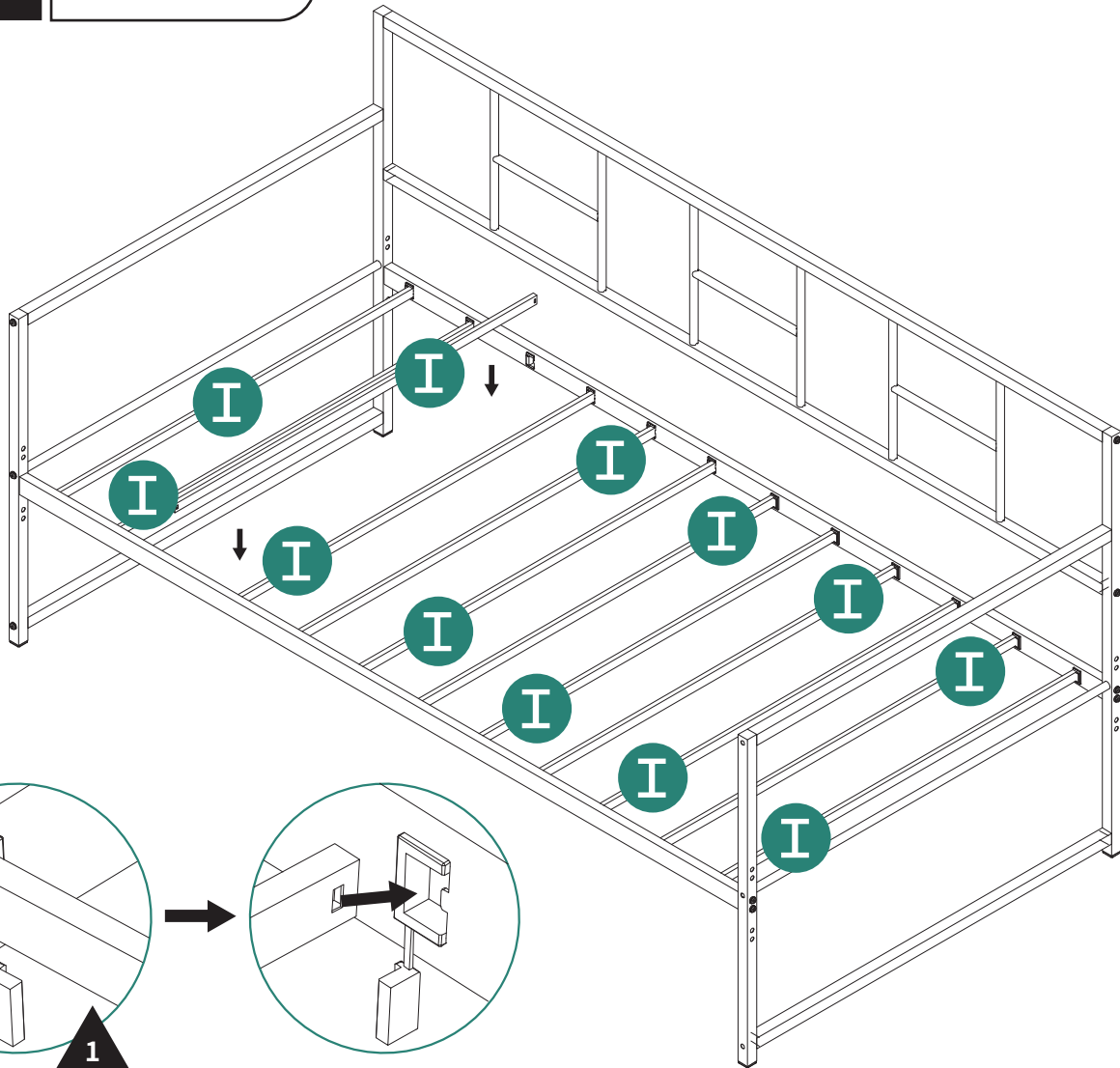
3



# 4



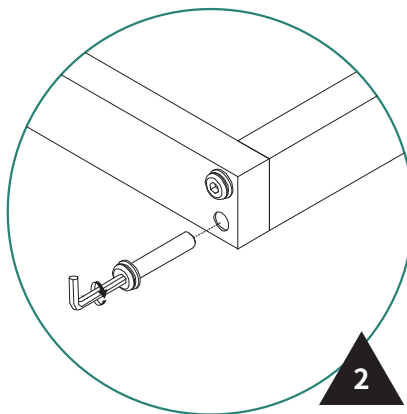
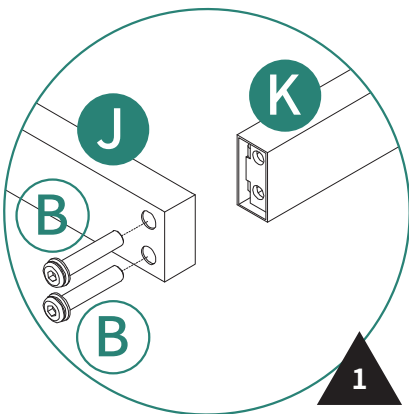
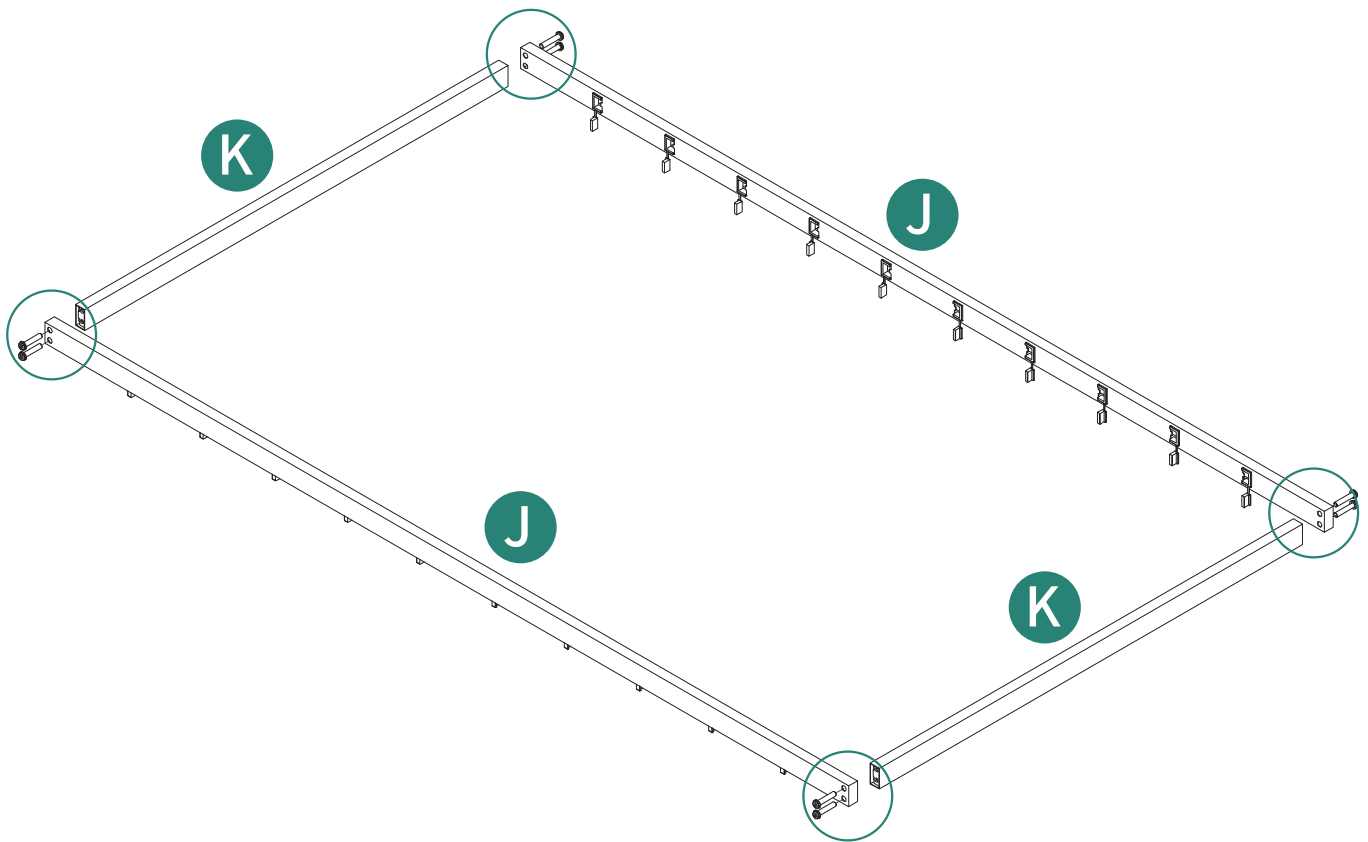
Ⓡ12pcs

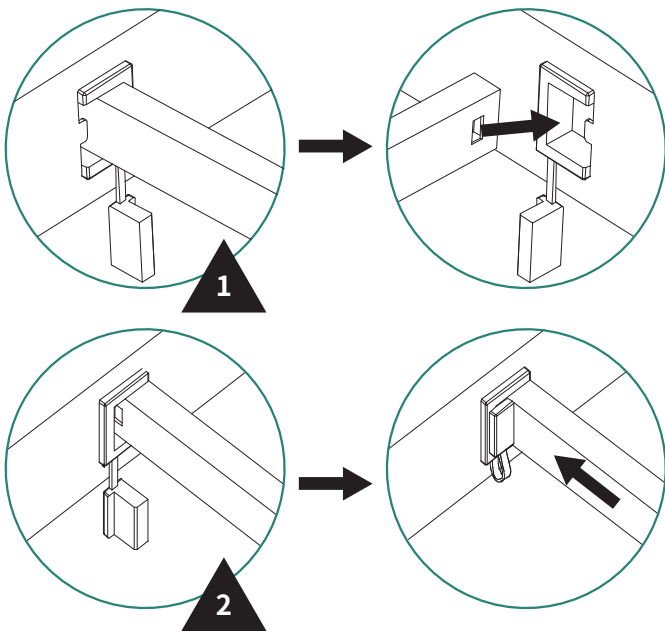
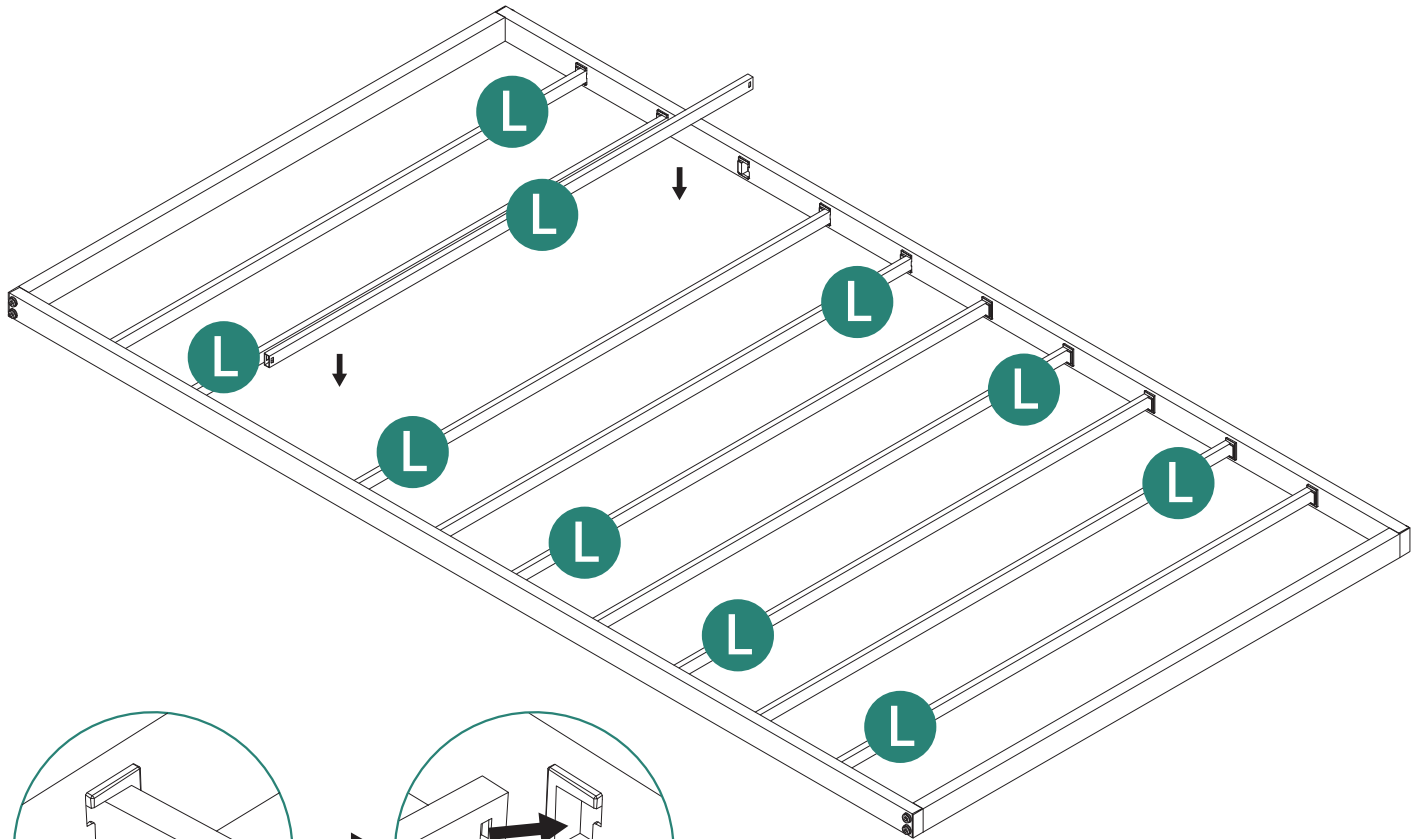
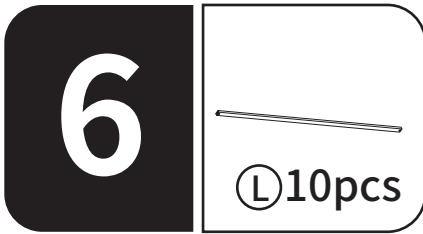


Note: In step 1, insert one end of the slat into the hole until it is fully inserted. Then insert the other end into the opposite hole and fully secure.

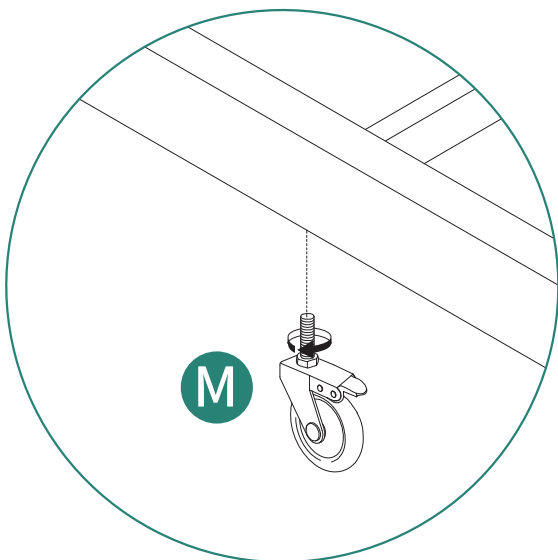
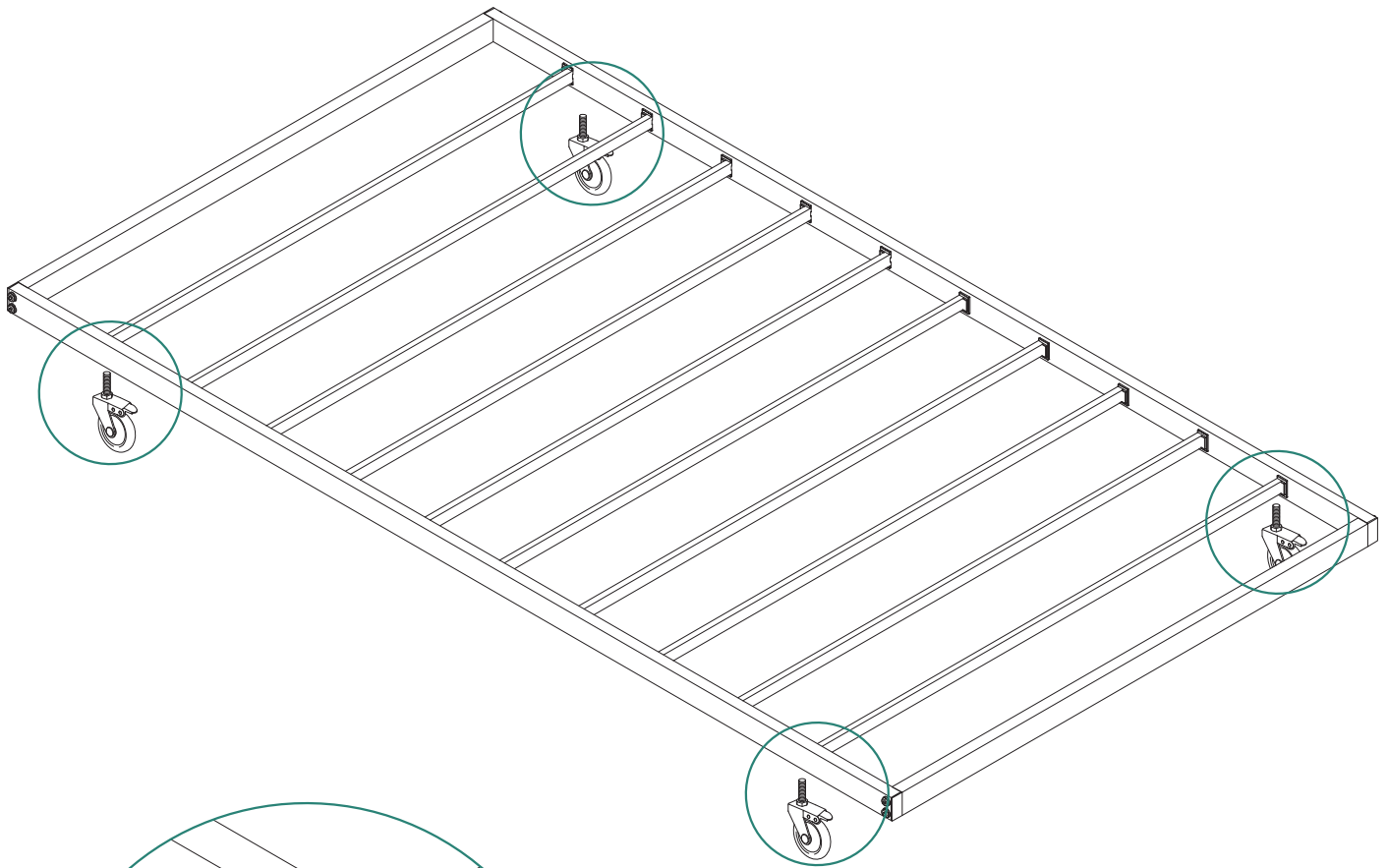
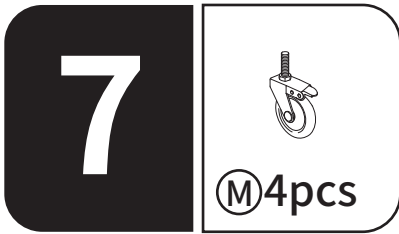
5

    
Ⓑ 8pcs Ⓙ 2pcs Ⓚ 2pcs

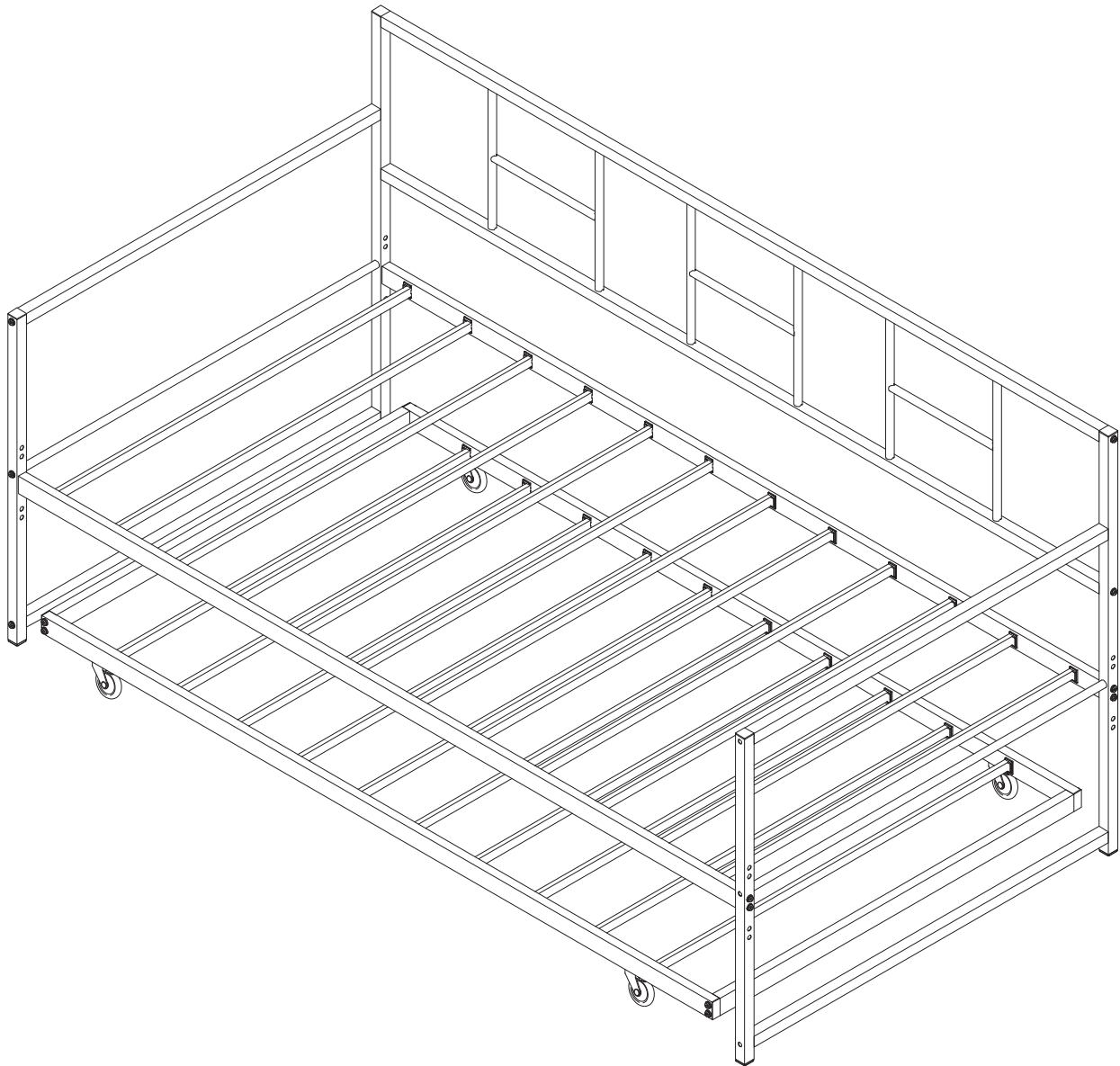




Note: In step 1, insert one end of the slat into the hole until it is fully inserted. Then insert the other end into the opposite hole and fully secure.



8



Installation Completed



Pure & Easy

## CONTACT US:

If you have any questions about the installation of YITAHOME products, just contact us at +1 (888) 717-8084 from Mon-Fri 8:00 AM-4:30 PM PST / Sat. 8:00 AM-12:00 PM PST or e-mail us at [after-sale.cs@hotmail.com](mailto:after-sale.cs@hotmail.com)

Alternative method to contact us (amazon.com orders only)

1. Log into your Amazon account
2. Go to "Your Orders" and find the purchase
3. Click on "Contact Seller"