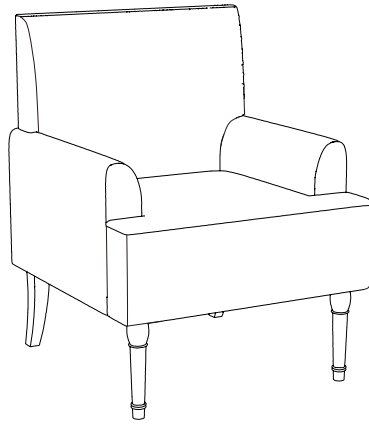
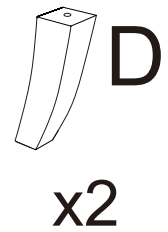
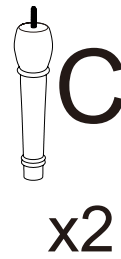
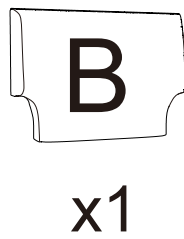
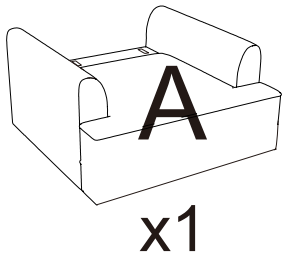


ASSEMBLY INSTRUCTION

ITEM NO.: D5972.D5973.D5974.D5975.D5976



PARTS LIST



HARDWARE LIST



1

x2



5/16*10CM

2

x2



5/16*19MM

3

x2

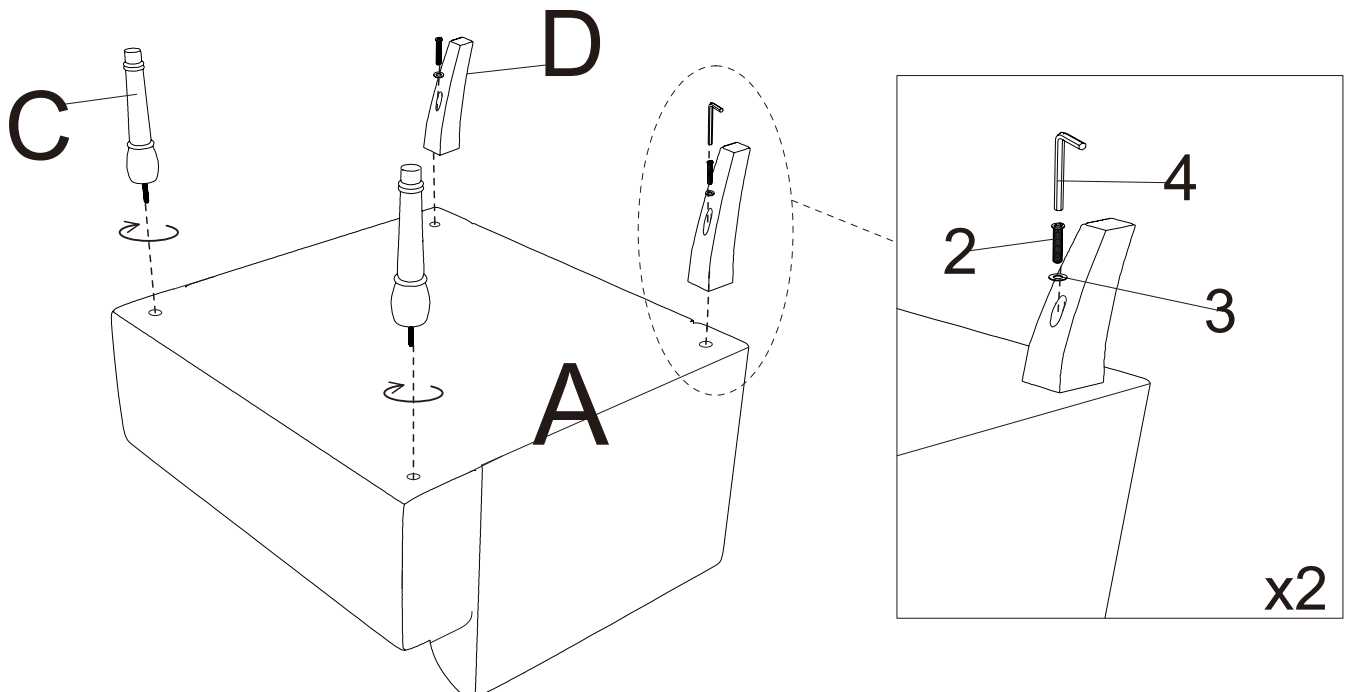


M5/40*100MM

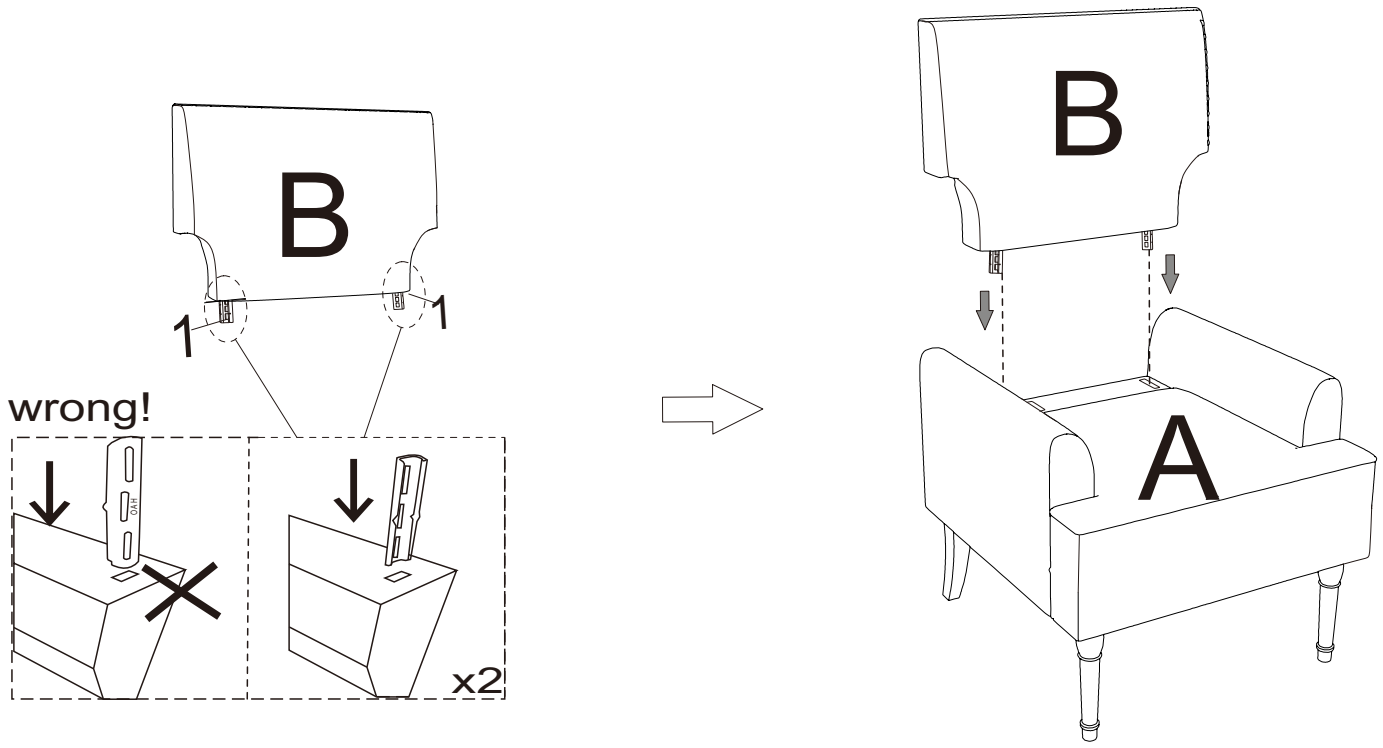
4

x1

Step 1



Step2



Step3

