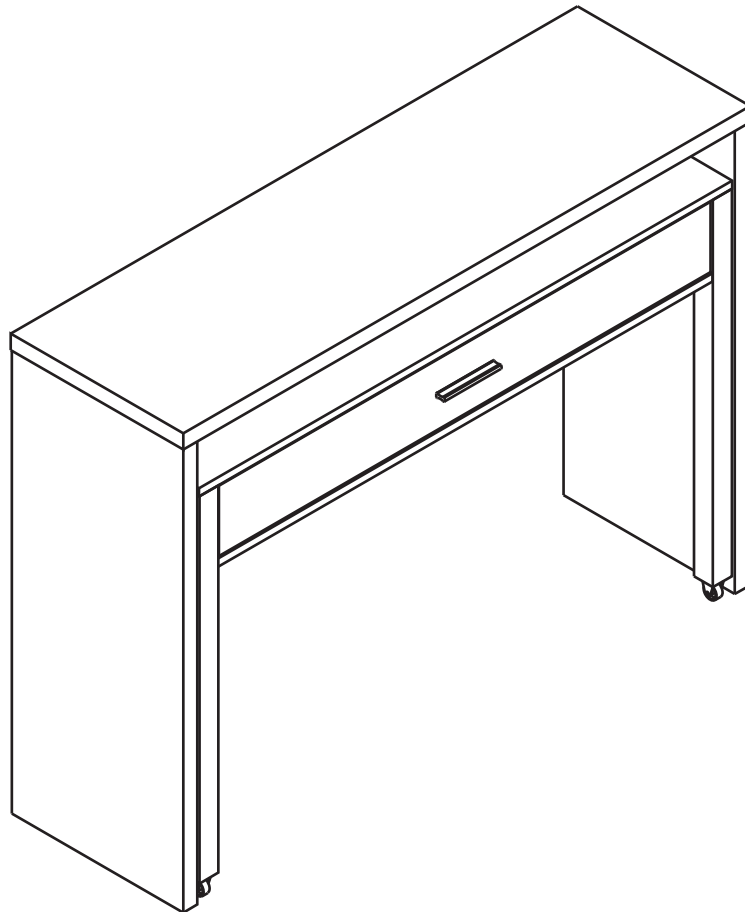









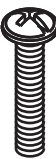




SLIDE OUT DESK W/ RISER AND DRAWER



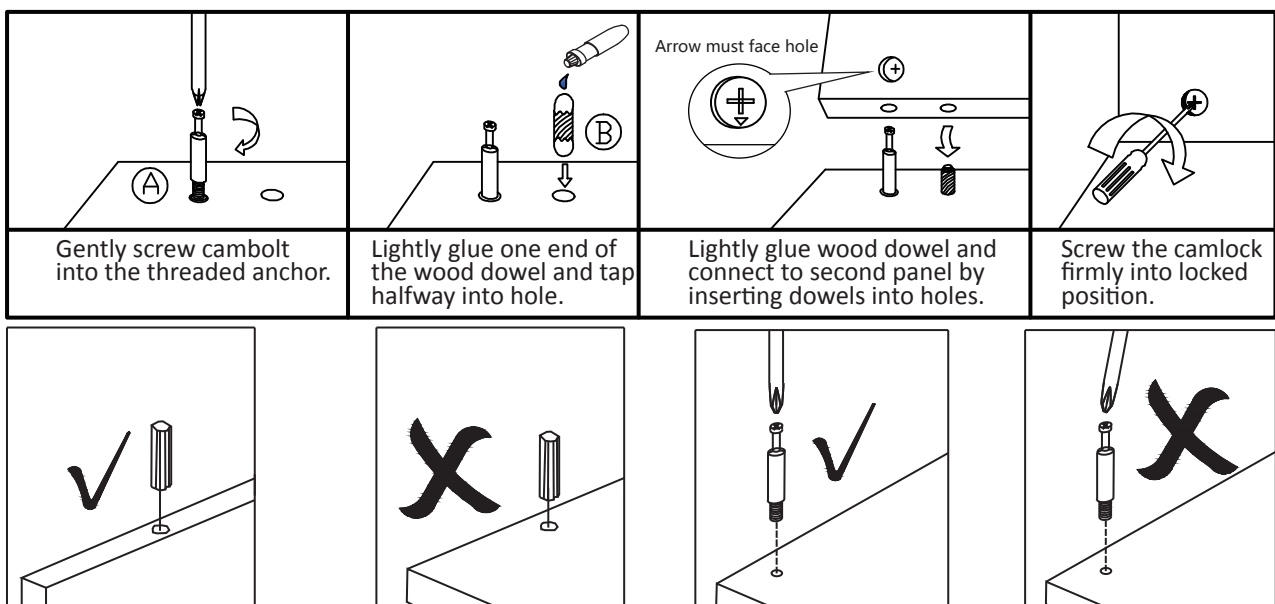
ASSEMBLY INSTRUCTIONS

We have designed our furniture with you , the customer in mind . Our clear , easy to follow , step by step instructions will guide you through the project from start to finish .
Feel confident that this will be a fun and rewarding project . The final product will be a quality piece of furniture that will go together smoothly and give years of enjoyment .

Hardware List

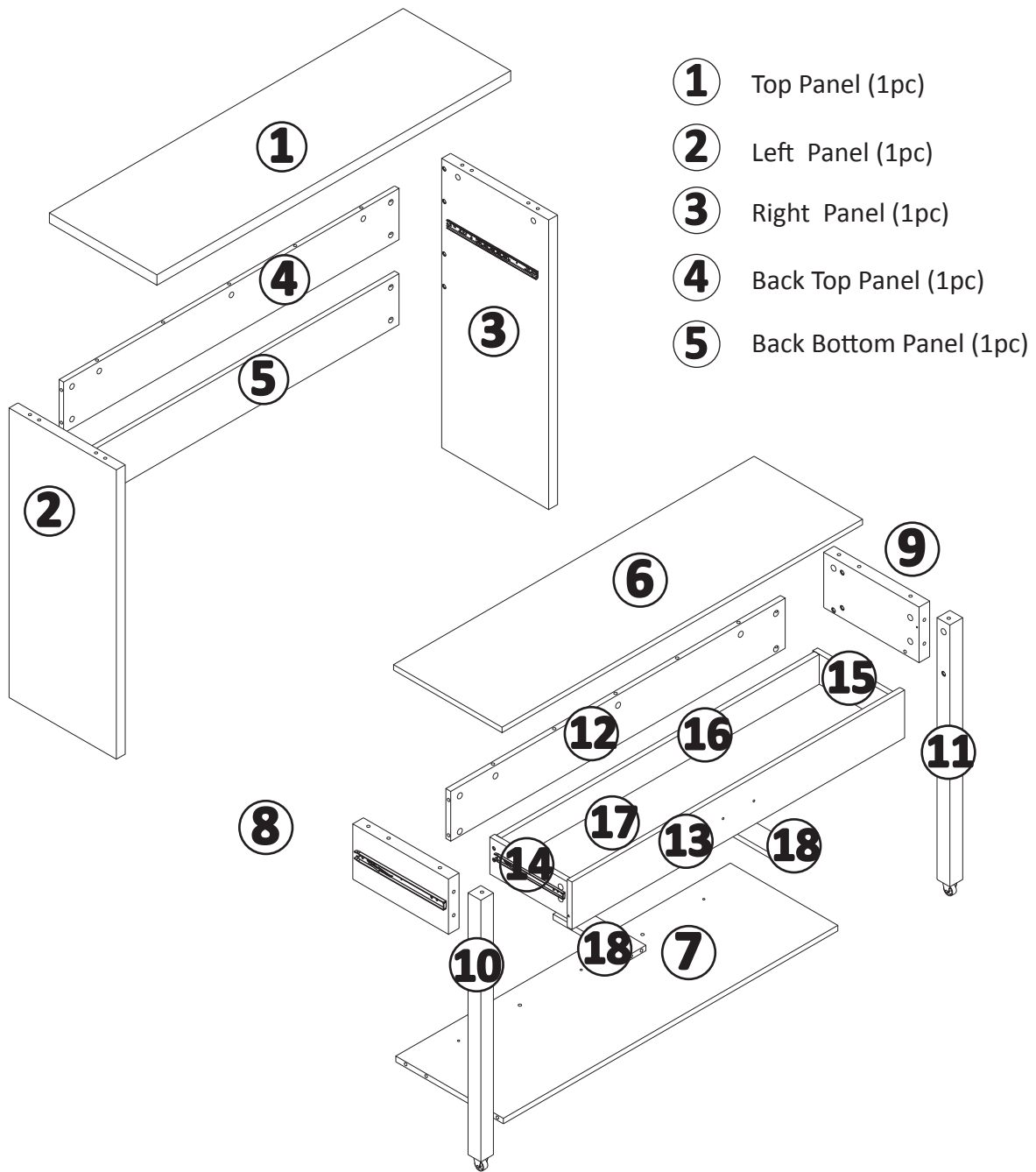
A  7*37mm	B  15*11.5mm	C  8*30mm	D  5*38mm	E  4*16mm
Cam Bolt (40pcs)	Cam Lock (40pcs)	Wood Dowel (22pcs)	Long Screw (3pcs)	Small Screw (4pcs)
F  3.5*12mm	G  4*30mm	H  4*20mm	I 	J 
Gilde Screw (6pcs)	Drawer Screw (6pcs)	Knob Screw (2pcs)	Knob (1pc)	Wheel (2pcs)
K 	L 			
Gilde (2pcs)	Glue (1pc)			
Glue : For securing please apply to wood dowel first before inserting into panel .				

Assembling the unit with camlocks and wood dowels.



Please count and verify all parts before assembly.

Panel List

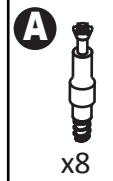
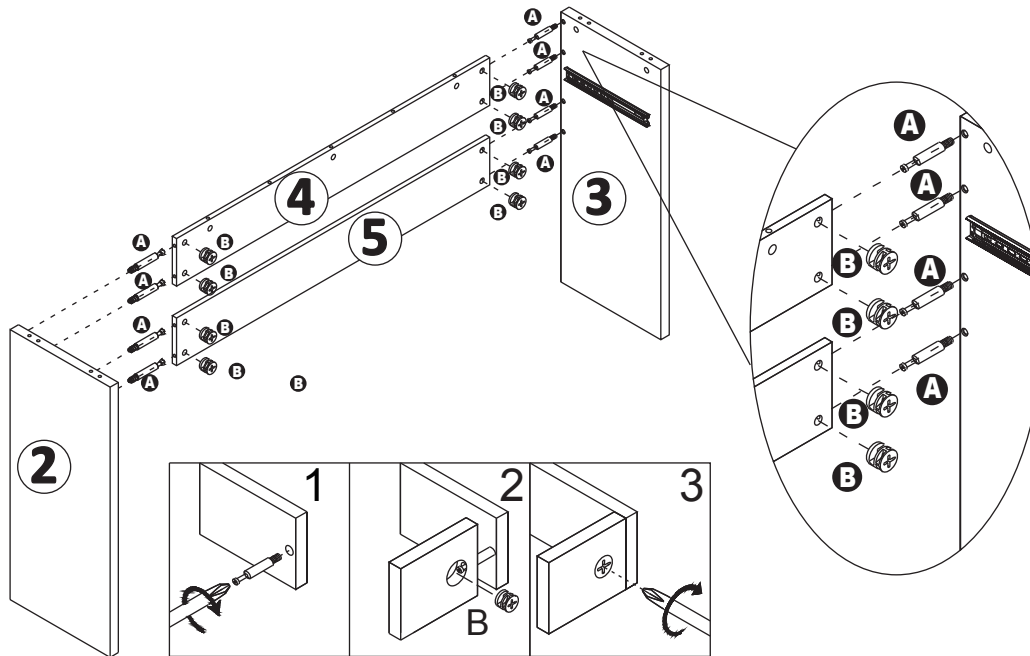


- | | |
|-----------------------------------|------------------------------------|
| ① Top Panel (1pc) | ⑬ Drawer Front Panel (1pc) |
| ② Left Panel (1pc) | ⑭ Drawer Left Panel (1pc) |
| ③ Right Panel (1pc) | ⑮ Drawer Right Panel (1pc) |
| ④ Back Top Panel (1pc) | ⑯ Drawer Back Panel (1pc) |
| ⑤ Back Bottom Panel (1pc) | ⑰ Drawer Bottom Panel (1pc) |
| ⑥ Table Top Panel (1pc) | ⑱ Drawer Support Bar (2pcs) |
| ⑦ Table Bottom Panel (1pc) | |
| ⑧ Table Left Panel (1pc) | |
| ⑨ Table Right Panel (1pc) | |
| ⑩ Table Left Leg (1pc) | |
| ⑪ Table Right Leg (1pc) | |
| ⑫ Table Back Panel (1pc) | |

Step 1

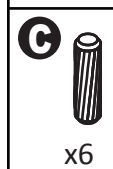
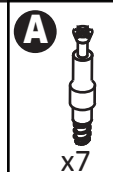
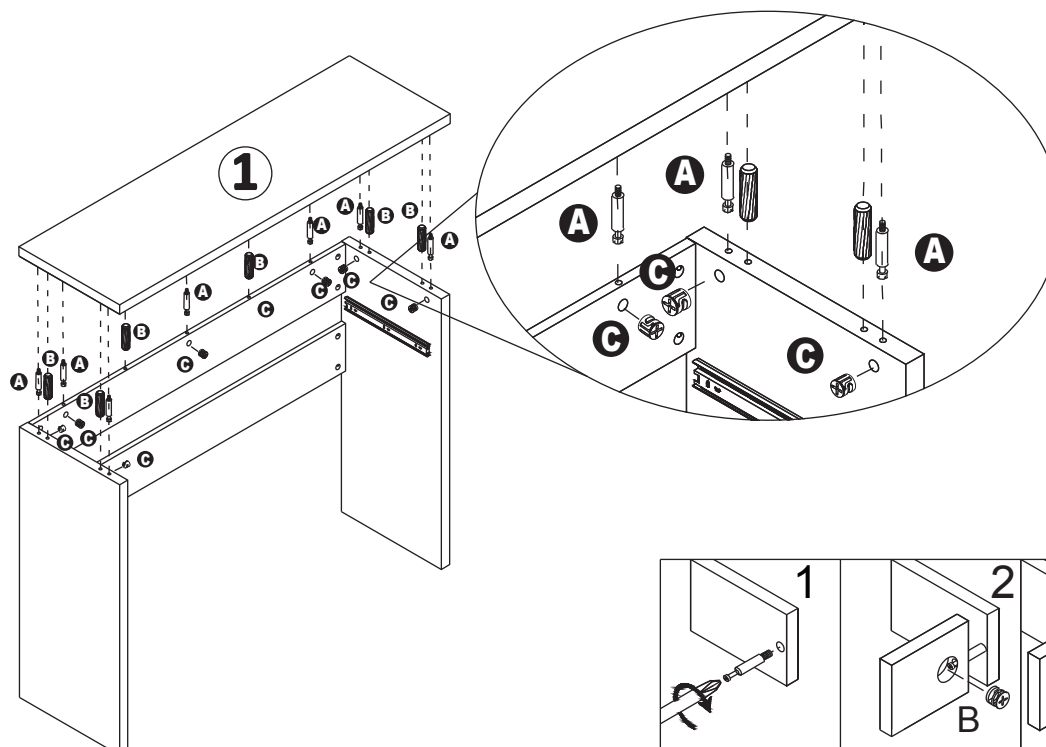
*Assemble unit on carpet or soft surface.

1. Connect Left panel (2) and Right panel (3) to Back Top Panel (4) and Back Bottom Panel (5) as shown using Cambolts (A) and Camlocks (B), by gently tightening camlocks (B).



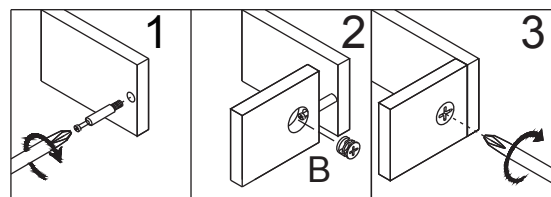
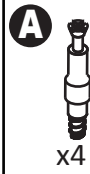
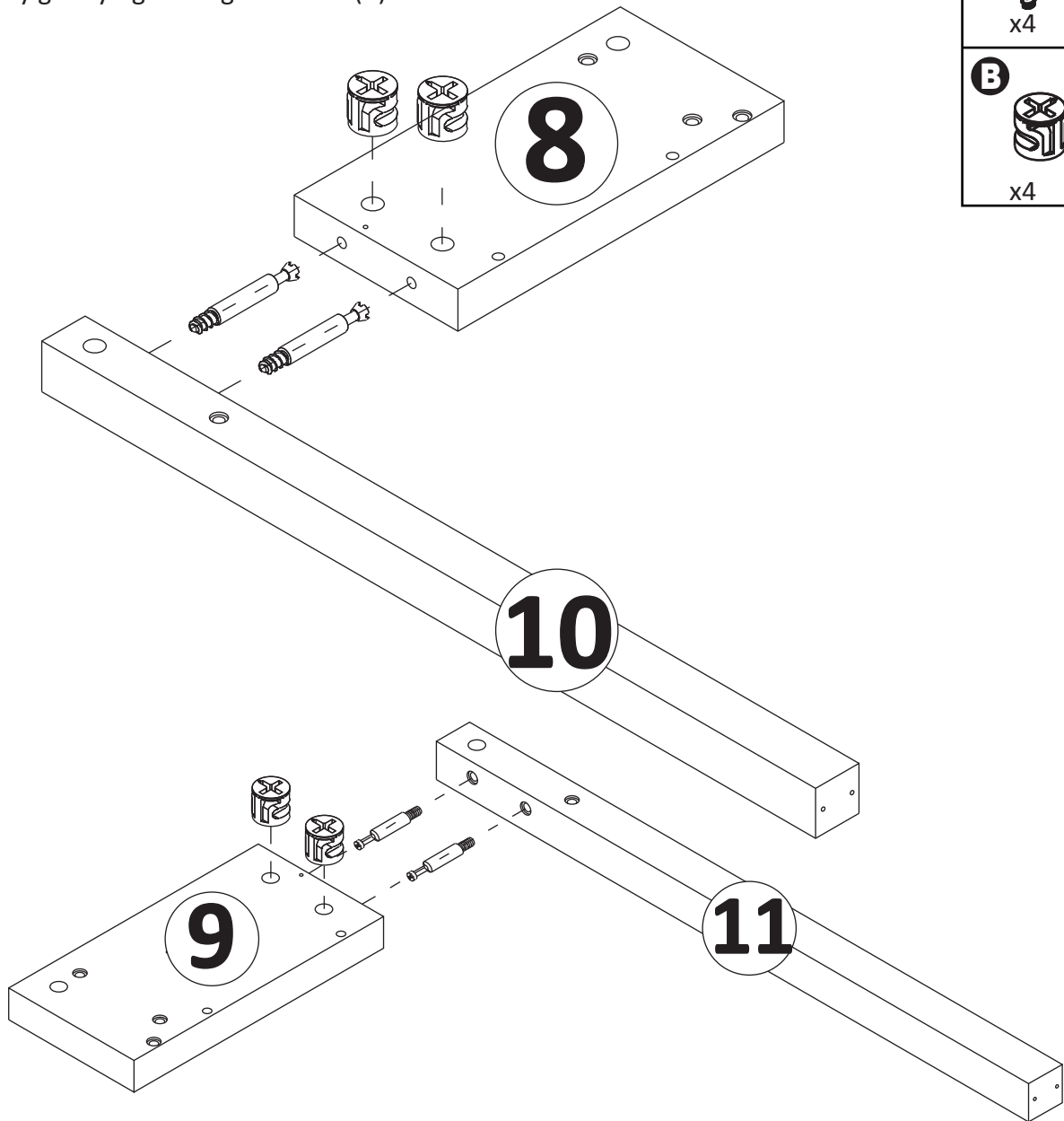
Step 2

1. Connect Top Panel (1) to assembly as shown using Cambolts (A), Camlocks (B) and Wood Dowels (C), by gently tightening Camlocks (B).



Step 3

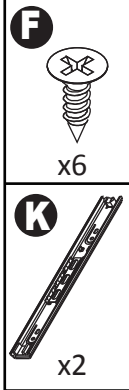
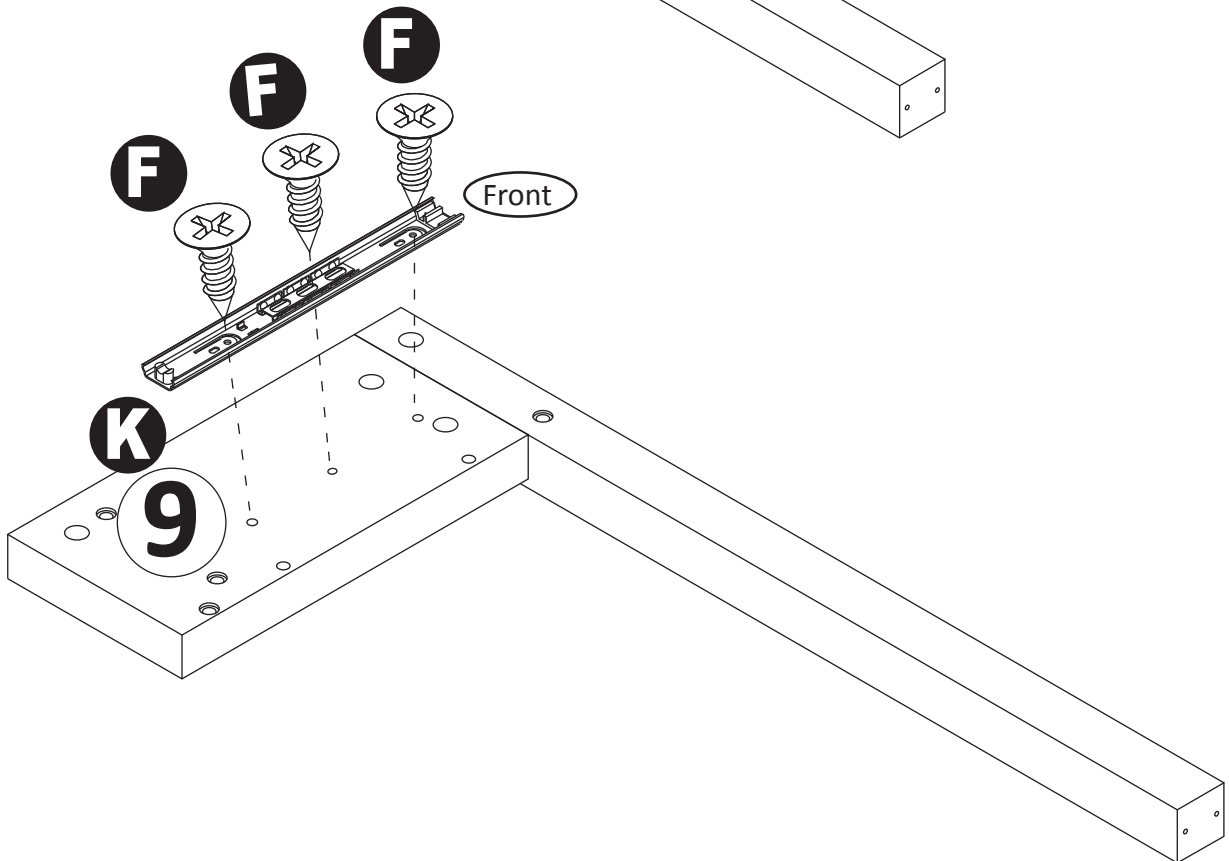
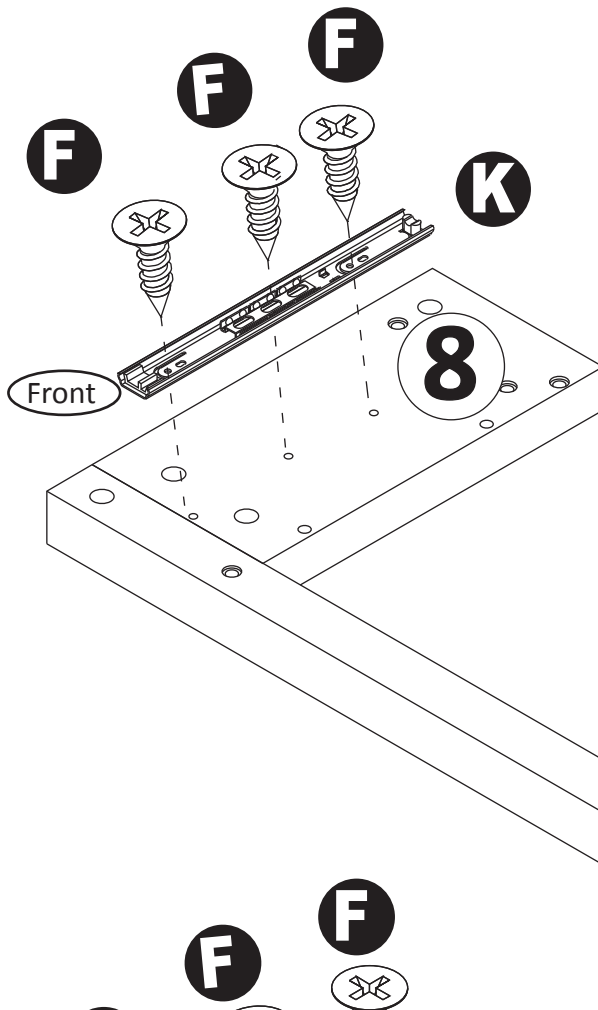
1. Connect Table Left Panel (8) and Table Right Panel (9) to Table Left Leg (10) and Table Right Leg (11) as shown using Cambolts (A) and Camlocks (B), by gently tightening camlocks (B).



Step 4

*Assemble unit on carpet or soft surface.

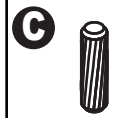
1. Connect Gildes (K) to assembly using Gilde Screws (F) as shown.



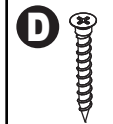
Step 5

*Assemble unit on carpet or soft surface.

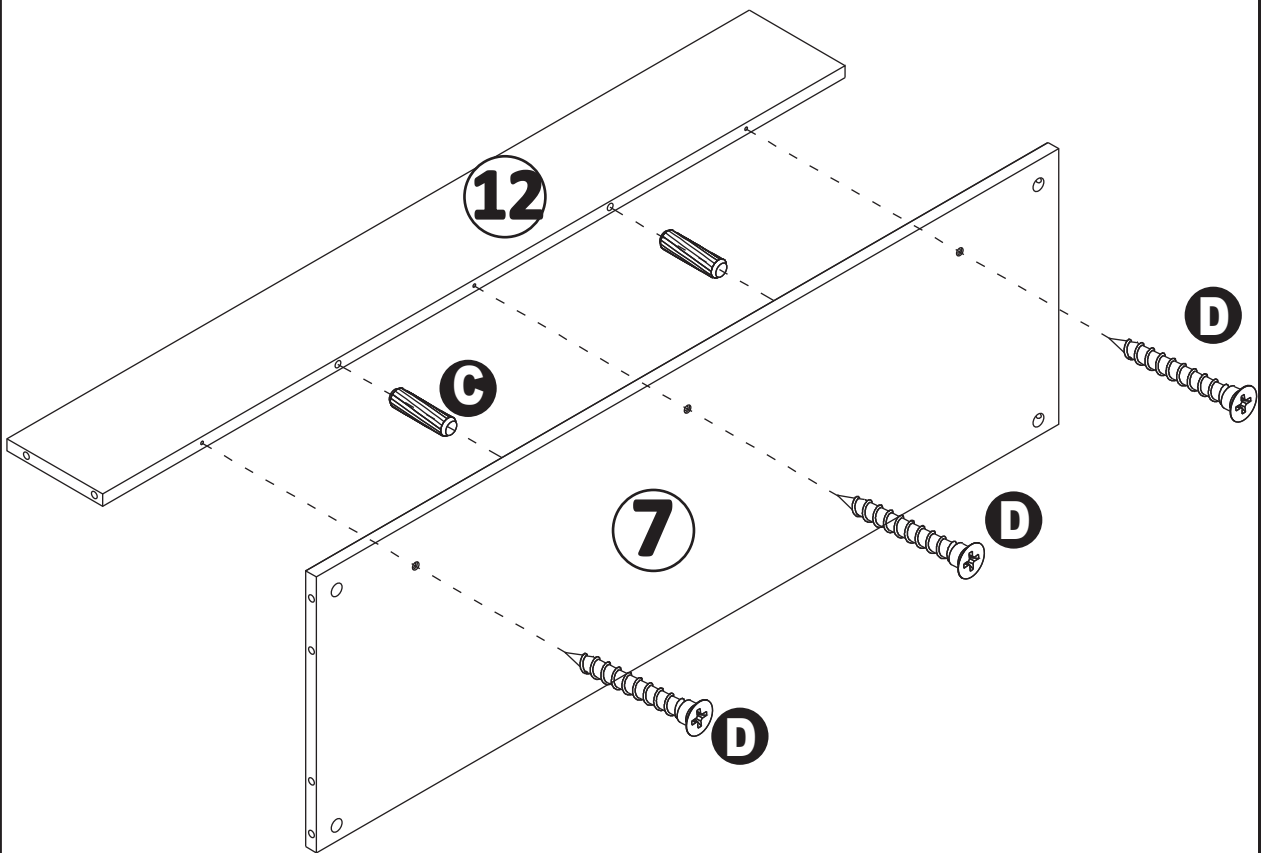
1. Connect Table Bottom Panel (7) and Table Back Panel (12) using Long Screws (D) and Wood Dowels (G) as shown.



x2



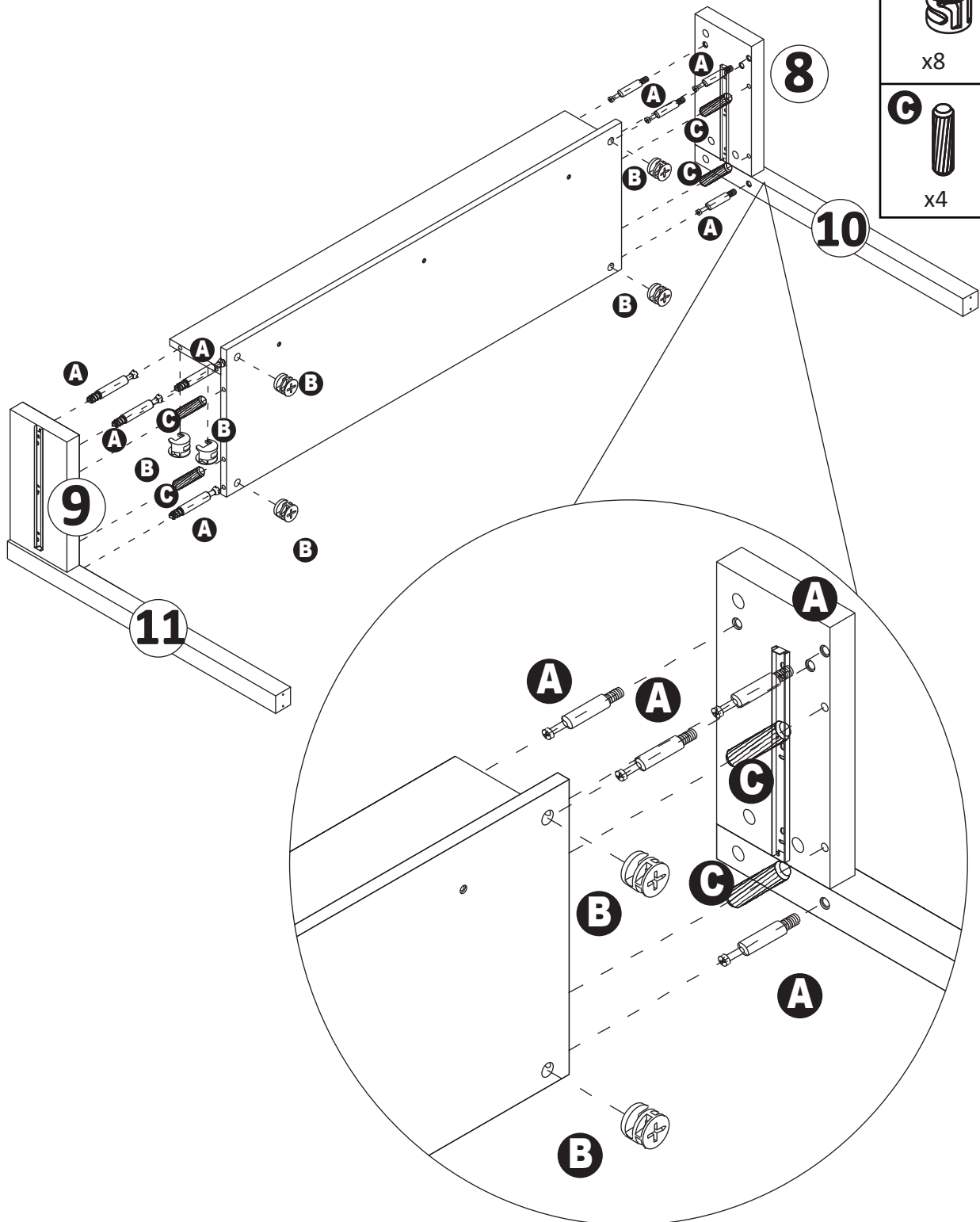
x3



Step 6

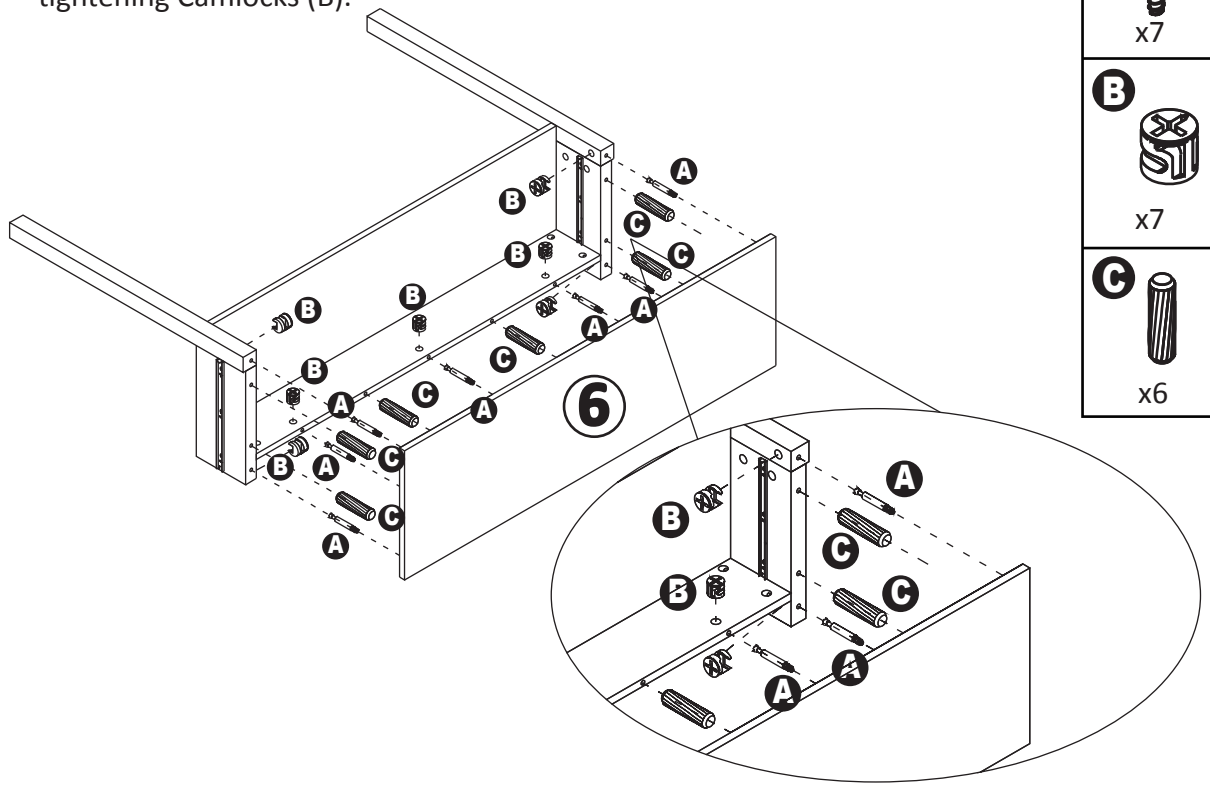
*Assemble unit on carpet or soft surface.

1. Connect Table Left Panel (8) and Table Right Panel (9) to assembly as shown using Cambolts (A), Wood Dowels (C) and Camlocks (B), by gently tightening camlocks (B).



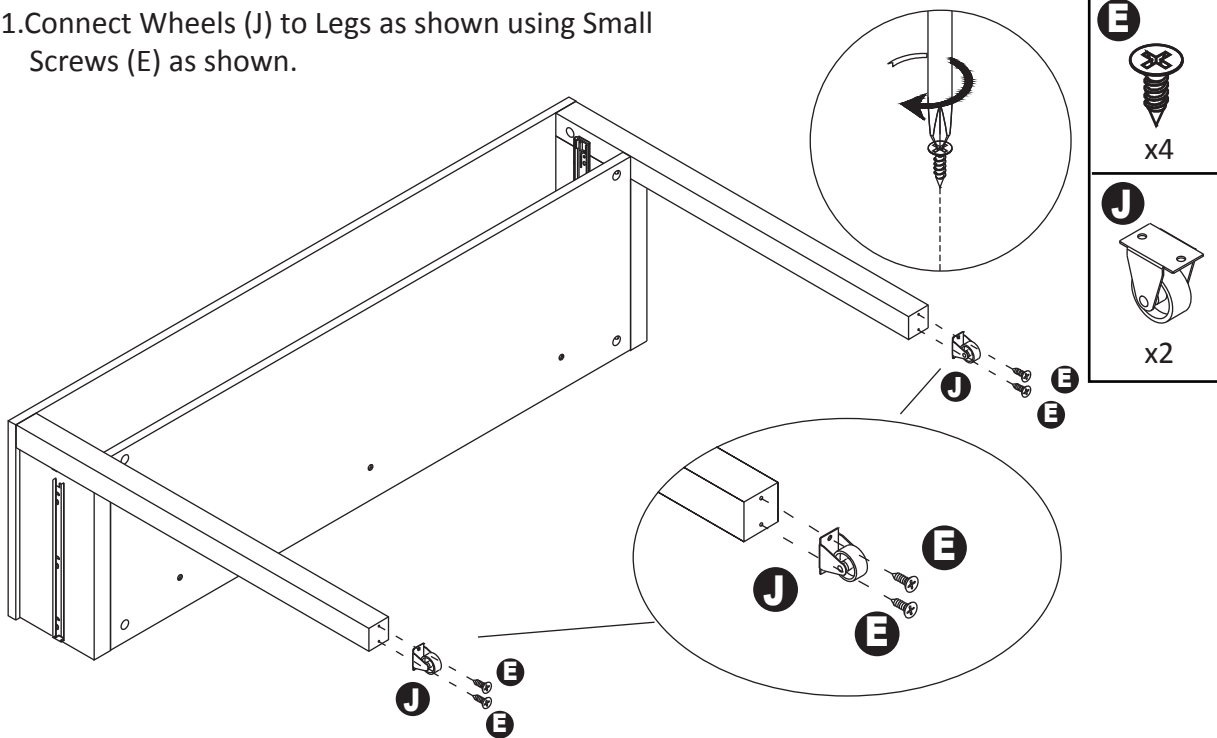
Step 7 *Assemble unit on carpet or soft surface.

1. Connect Table Top Panel (6) to assembly as shown using Cambolts (A), Camlocks (B) and Wood Dowels (C), by gently tightening Camlocks (B).



Step 8

1. Connect Wheels (J) to Legs as shown using Small Screws (E) as shown.

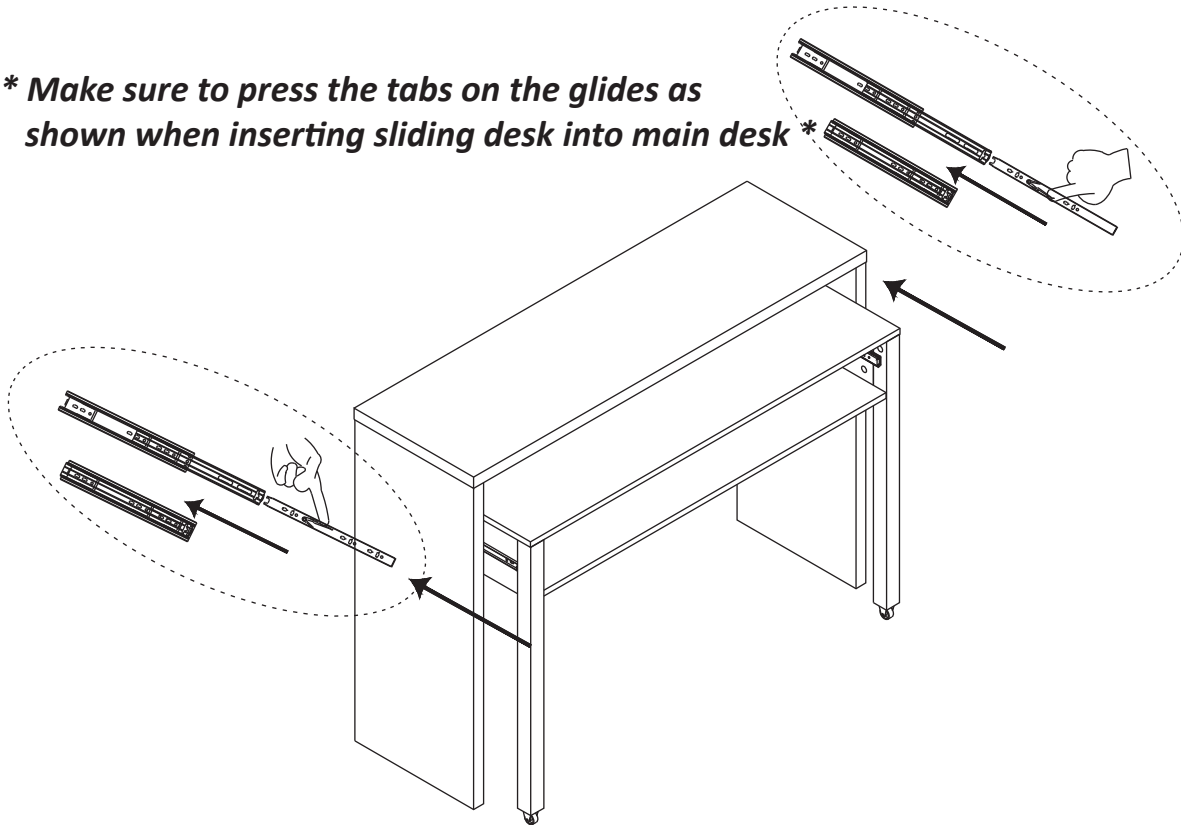


Step 9

* Assemble unit on carpet or soft surface.

1. Carefully connect the assembly as shown.

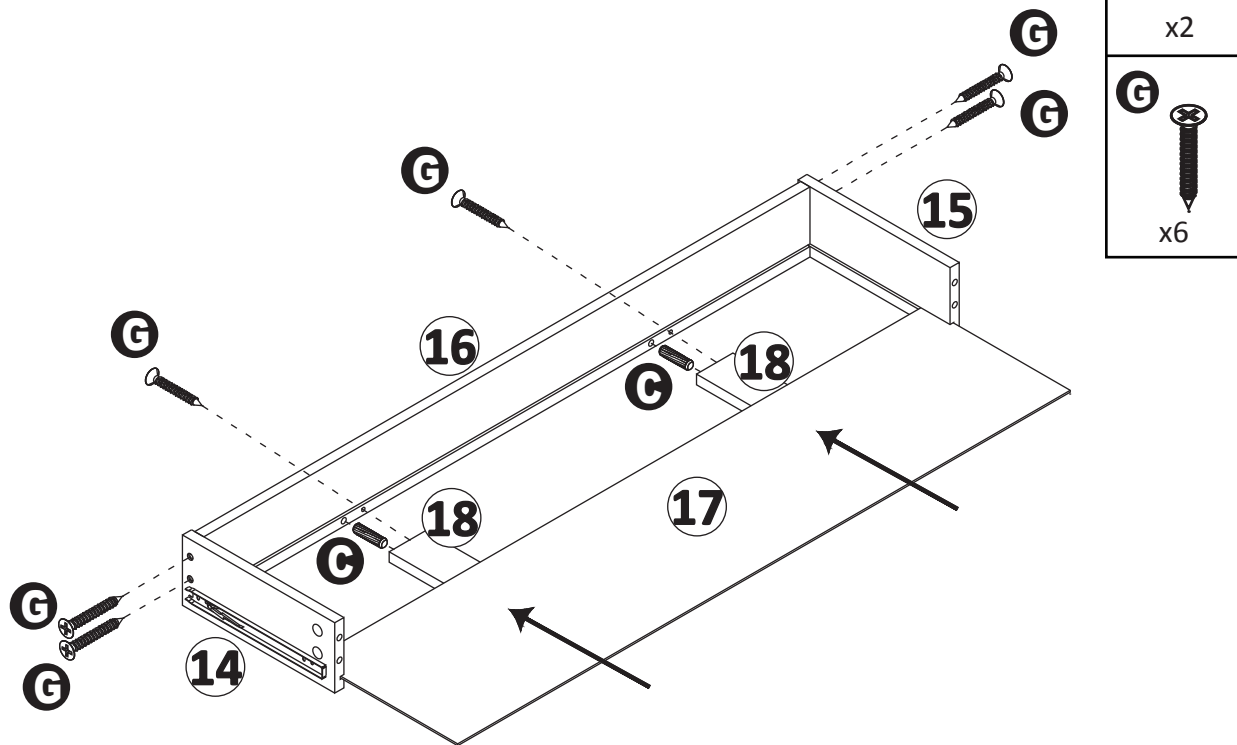
** Make sure to press the tabs on the glides as shown when inserting sliding desk into main desk **



Step 10

* Assemble unit on carpet or soft surface.

1. Attach Drawer Side Panels **14** & **15** and Drawer Bottom Support Bars **18** to Drawer Back Panel **16** using Drawer Screws (G) and Wood Dowels (C).
2. Insert Drawer Bottom Panel **17** into grooves of drawer assembly.

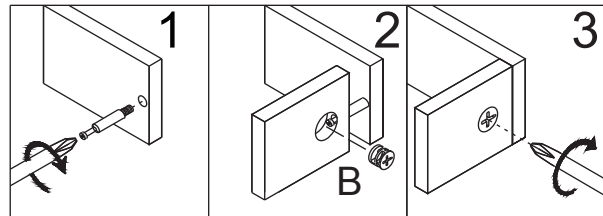
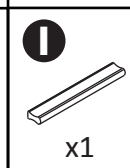
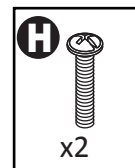
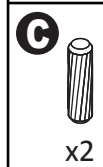
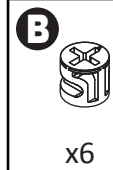
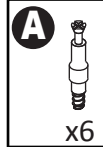
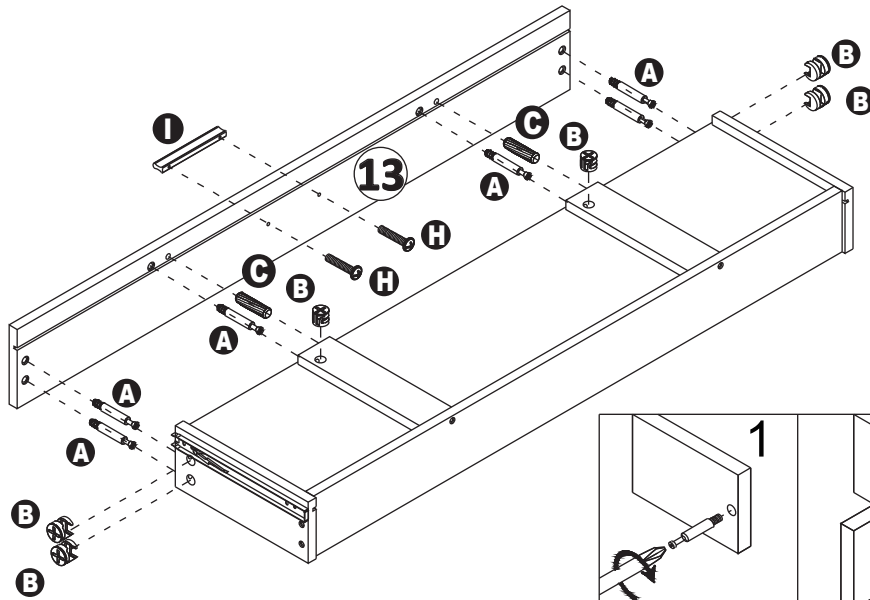


Step 11

***Assemble unit on carpet or soft surface.**

1. Connect Drawer Front Panel **13** to assembly using cambolts (A), camlocks (B) and Wood Dowels (C), by gently tightening Camlocks (B).

2. Attach Handle (I) to Drawer Front Panel **13** by using Handle Screws (H).



Step 12

1. Carefully place Drawer into unit as shown.

*** Make sure to press the tabs on the glides as shown when inserting drawer into sliding desk ***

