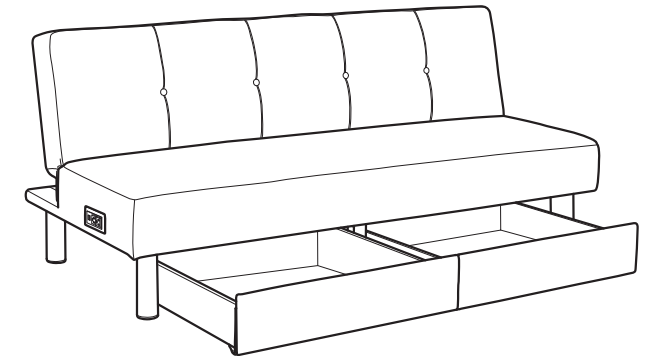
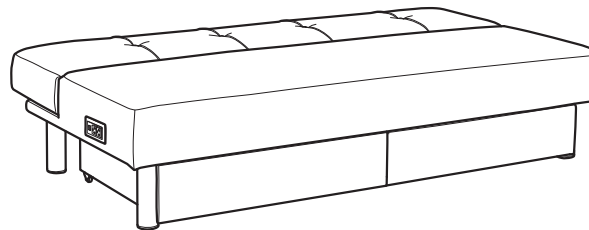
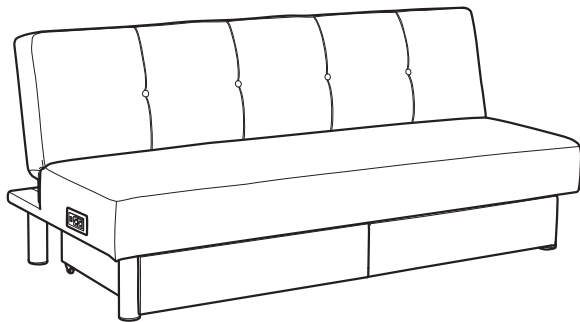




Dream Convertibles®

# SOFA BED WITH STORAGE

## ASSEMBLY INSTRUCTIONS



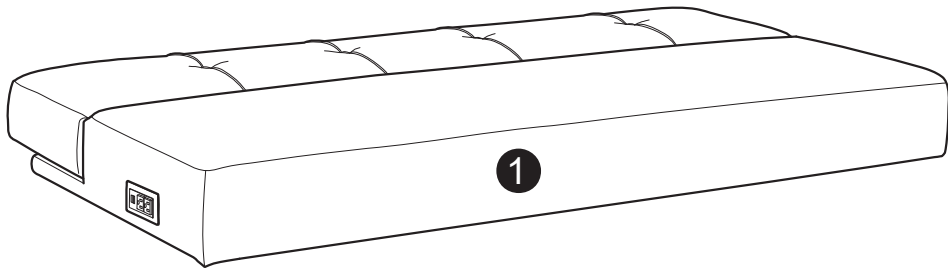
### WARNING

- This product has been designed for seating three (3) average adults. To prevent injury and damage to this unit, PROHIBIT jumping on it.
- This product is designed for home use and not intended for commercial use.
- Children under the age of 5, small infants and babies should not sleep alone on this product for safety reasons.
- Recommended # of people needed for handling: 2 (however it is always better to have an extra hand.)
- THIS INSTRUCTION BOOKLET CONTAINS **IMPORTANT** SAFETY INFORMATION. PLEASE READ AND KEEP FOR FUTURE REFERENCE.

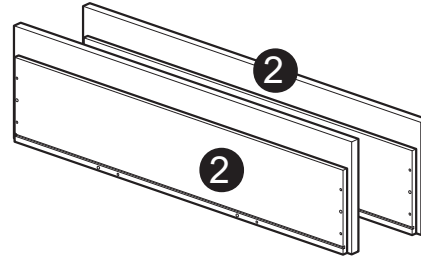
---

# PARTS

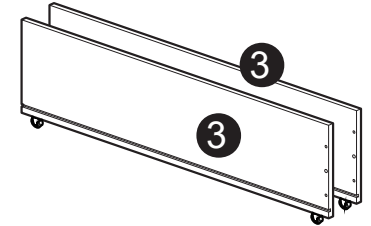
---



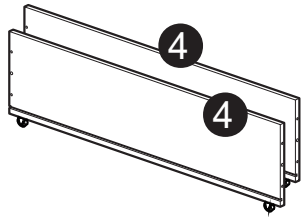
Sofa Body  
QTY:1



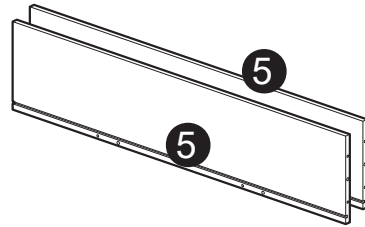
Drawer Front Panel  
QTY:2



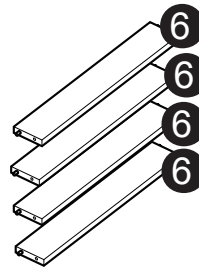
Drawer Left Side Panel  
QTY:2



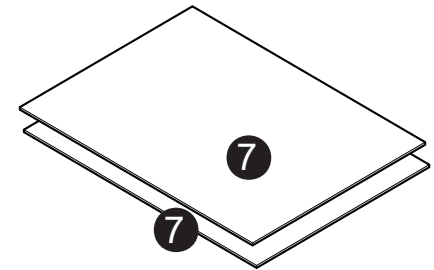
Drawer Right Side Panel  
QTY:2



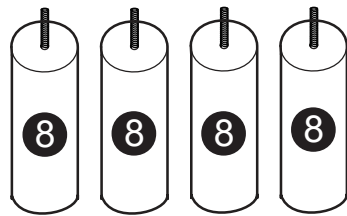
Drawer Rear Panel  
QTY:2



Drawer Support Rail Panel  
QTY:4



Drawer Bottom Panel  
QTY:2



Leg  
QTY:4

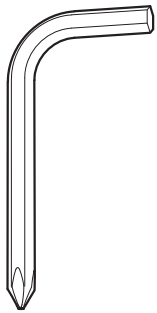


Centre Leg  
QTY:1

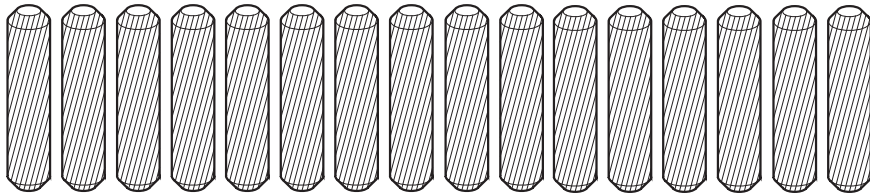
---

# HARDWARE

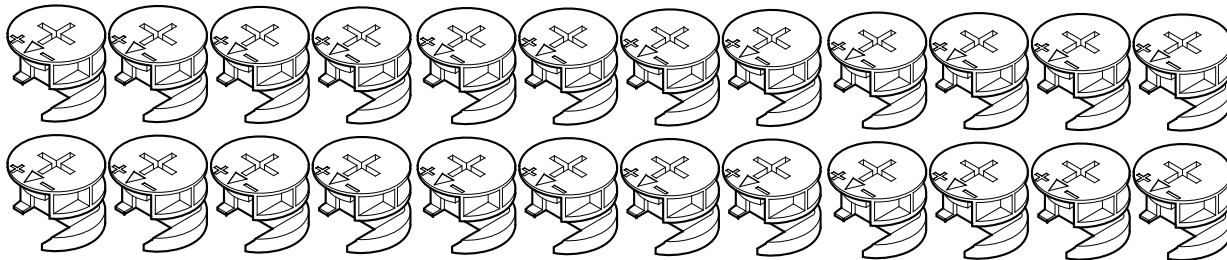
---



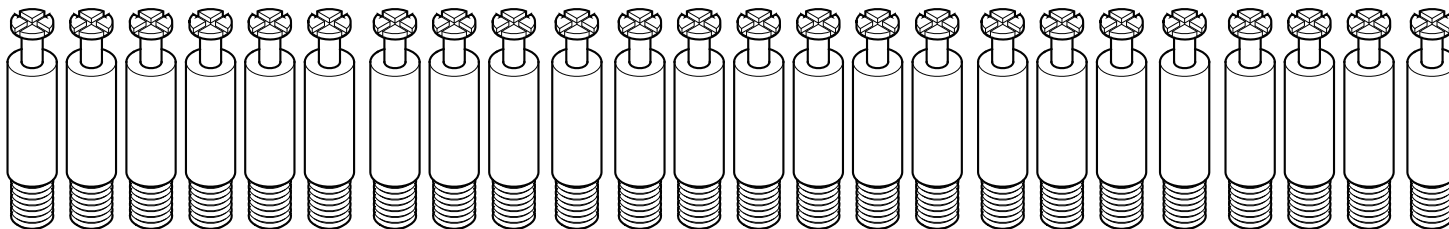
A  
Spanner  
M5 x 63mm  
QTY : 1 PC



B  
Wood Dowel  
M8 x 30mm  
QTY : 16 PCS

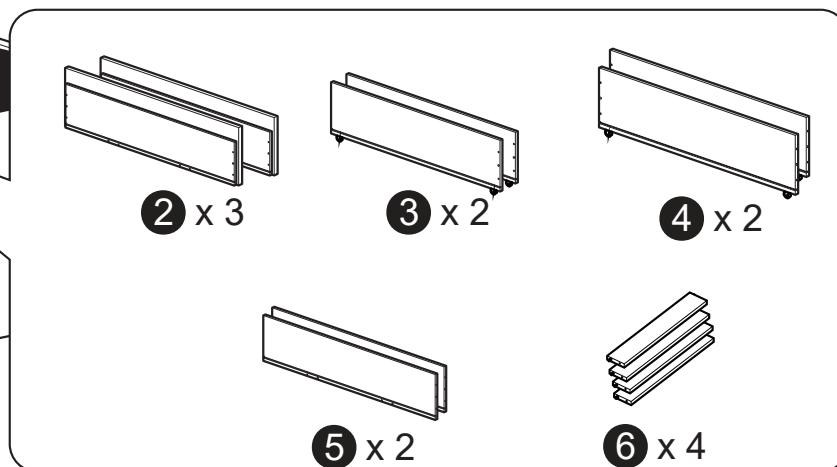
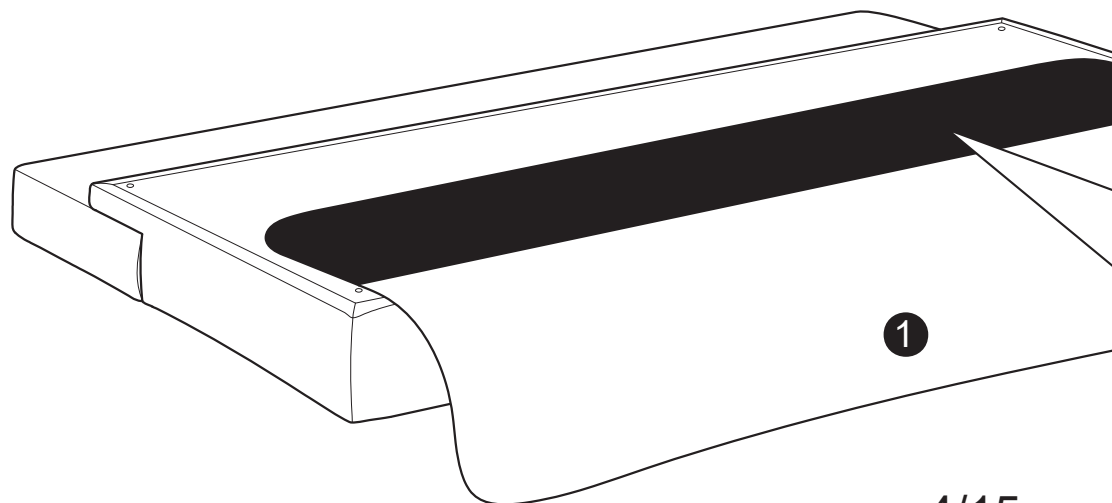
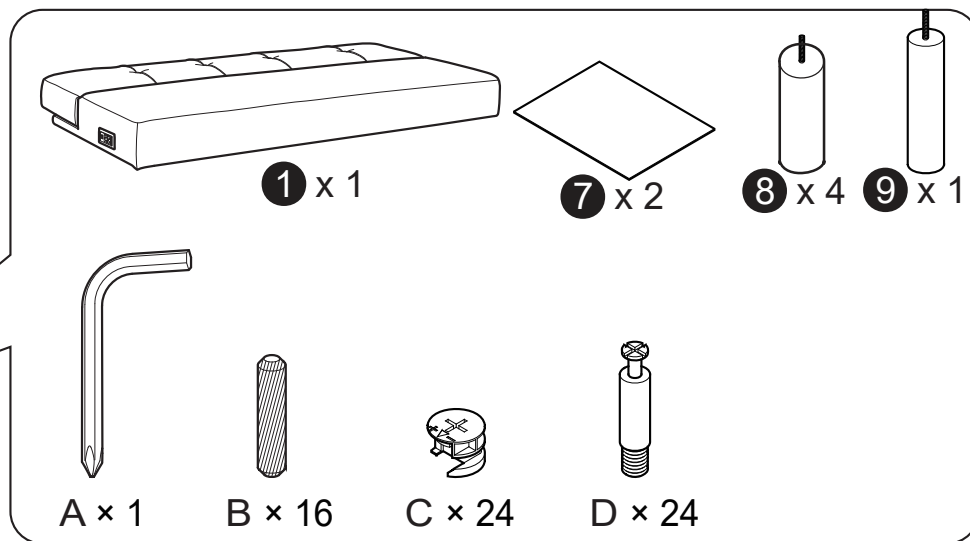
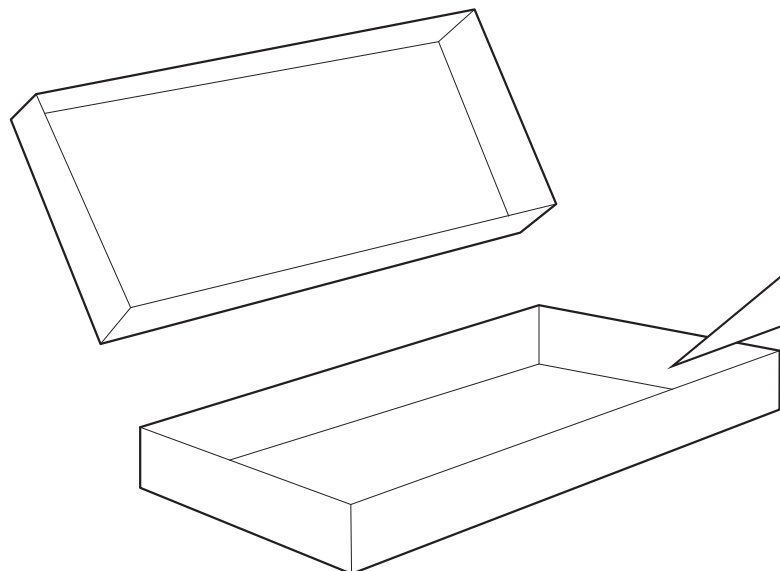


C  
Cam Lock  
M15 x 12mm  
QTY : 24 PCS



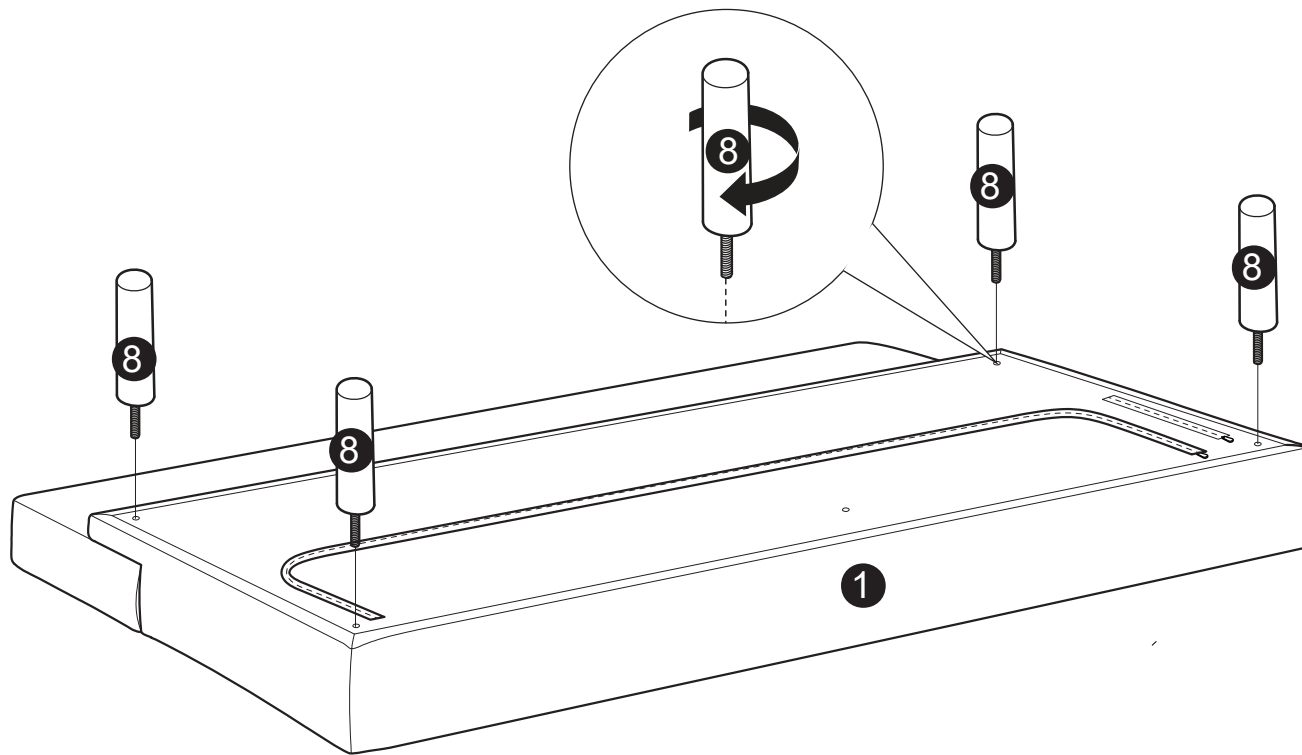
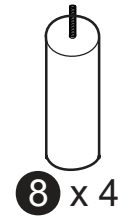
D  
Bolt  
M6 x 40mm  
QTY : 24 PCS

# Step 1 :



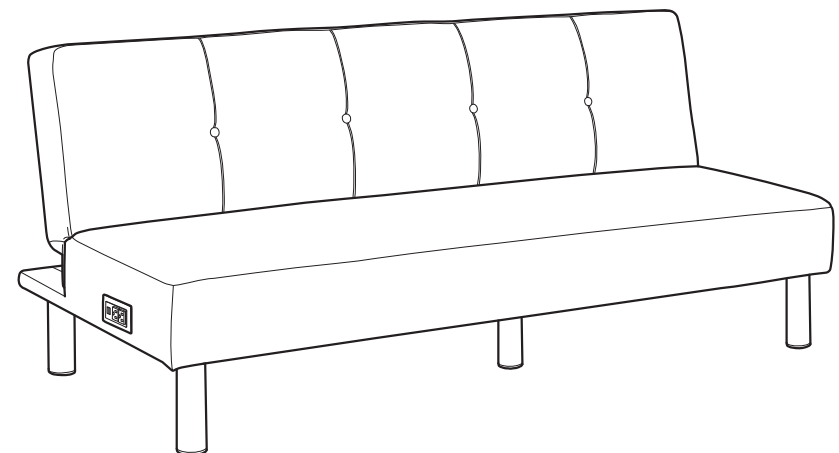
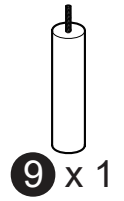
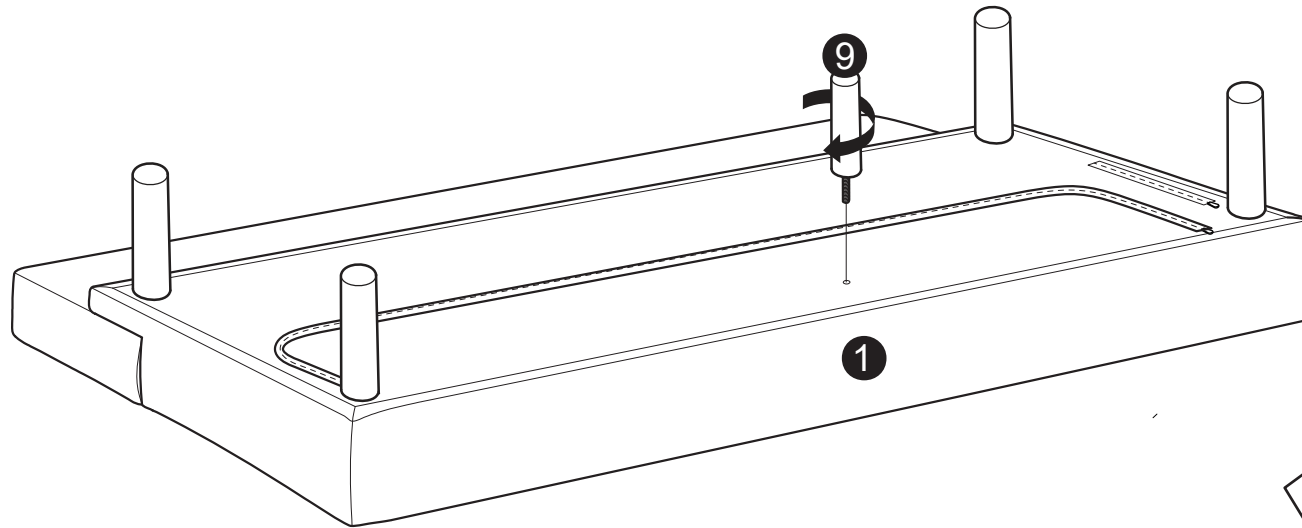
---

Step 2 :

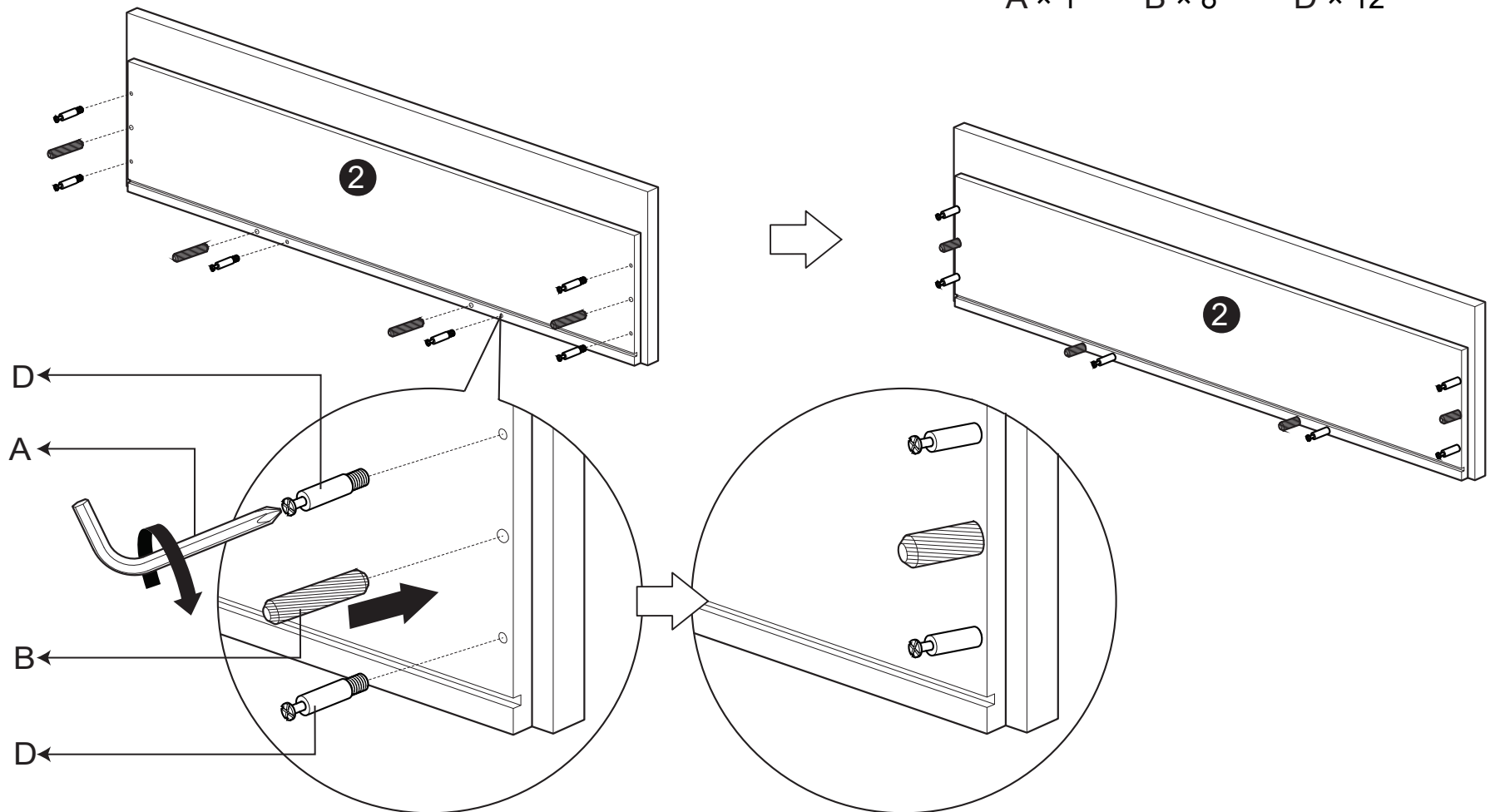
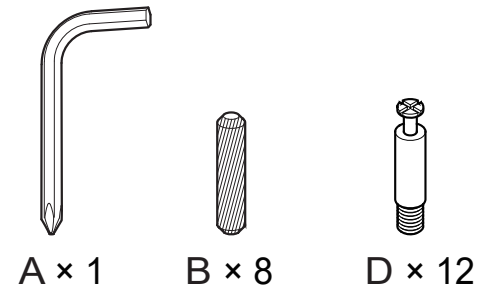


---

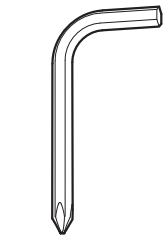
Step 3 :



Step 4 :



Step 5 :



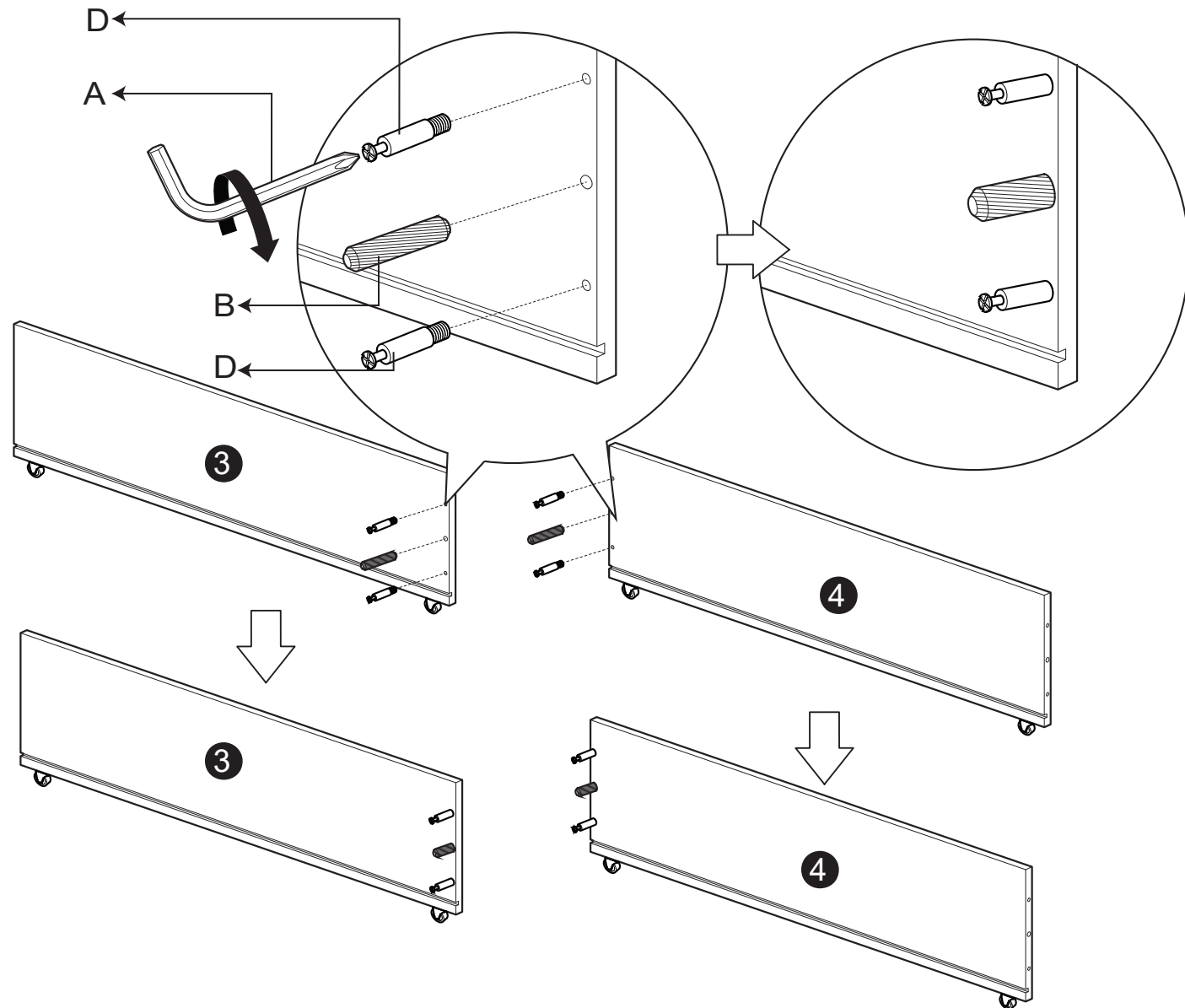
A × 1



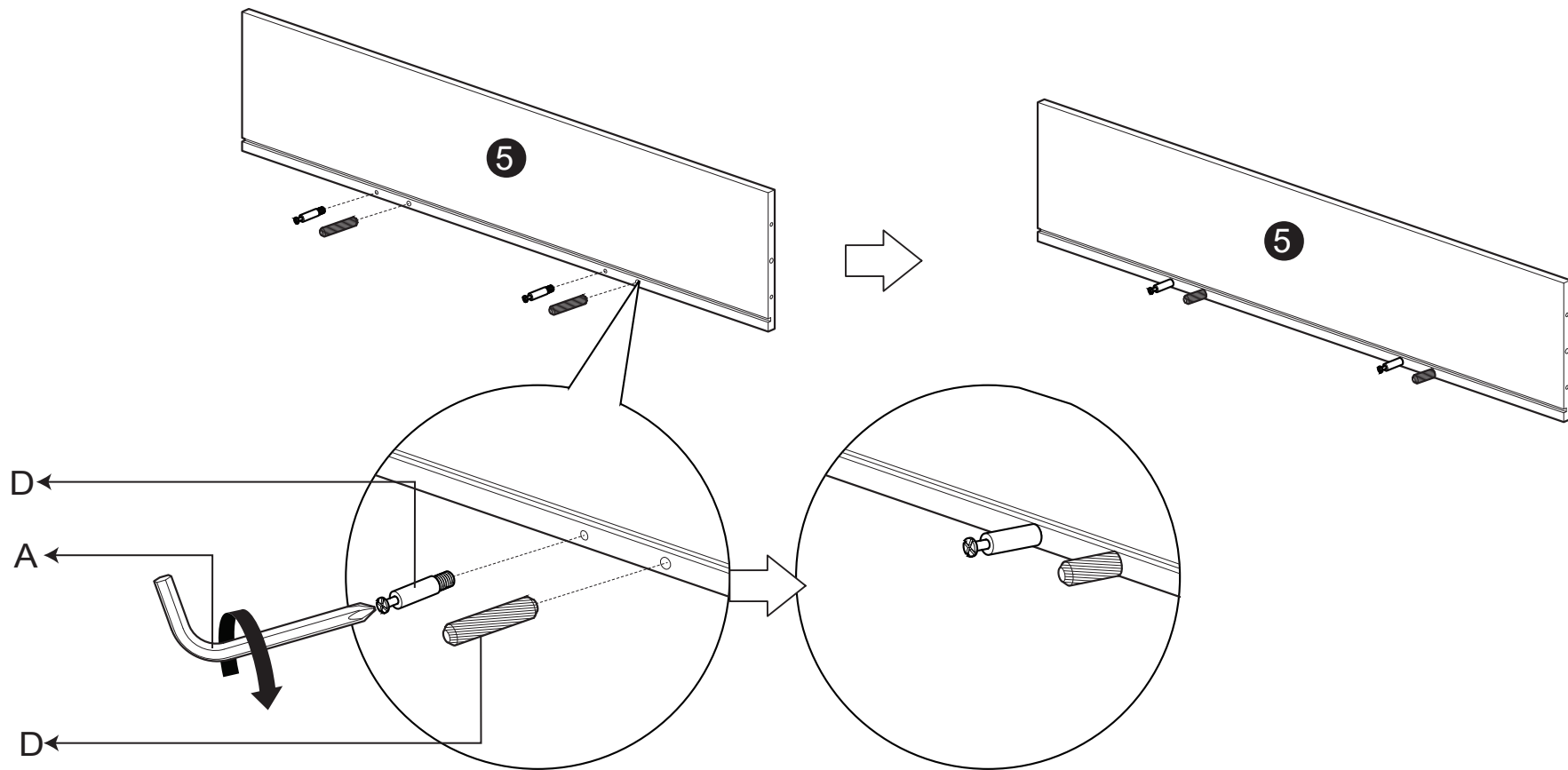
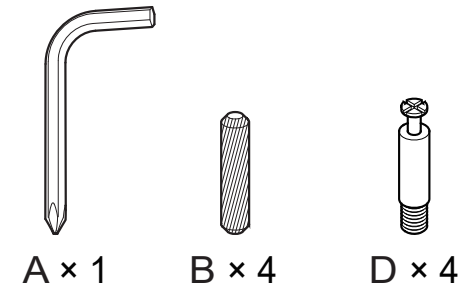
B × 4



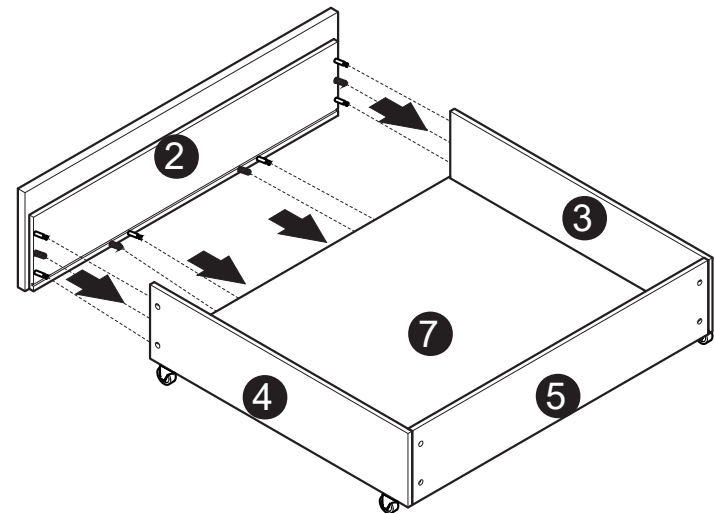
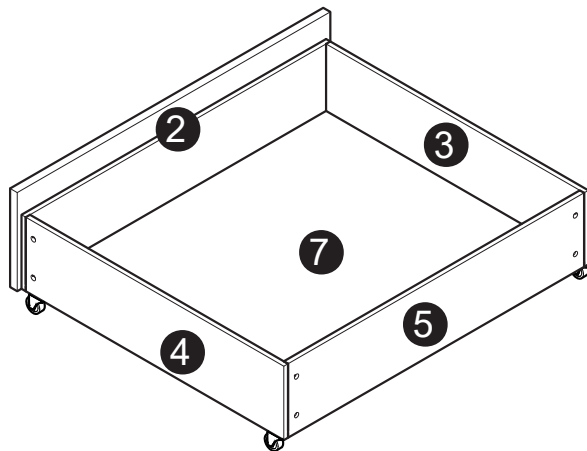
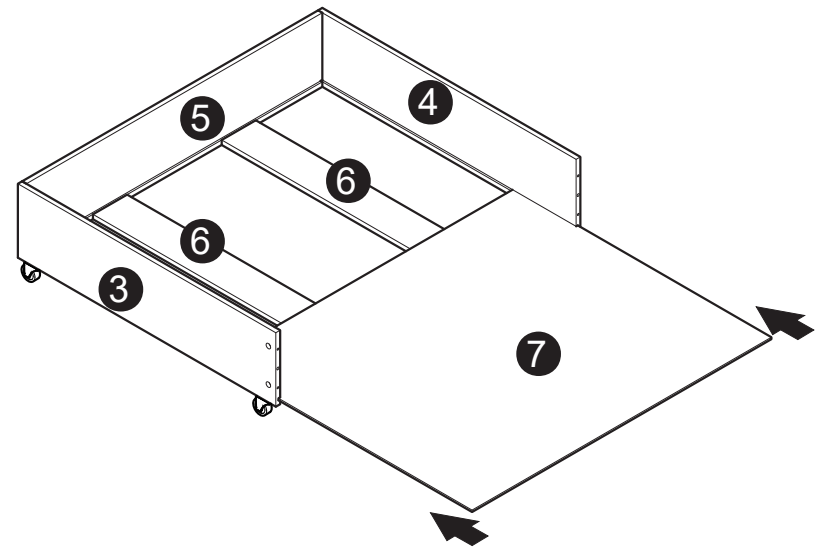
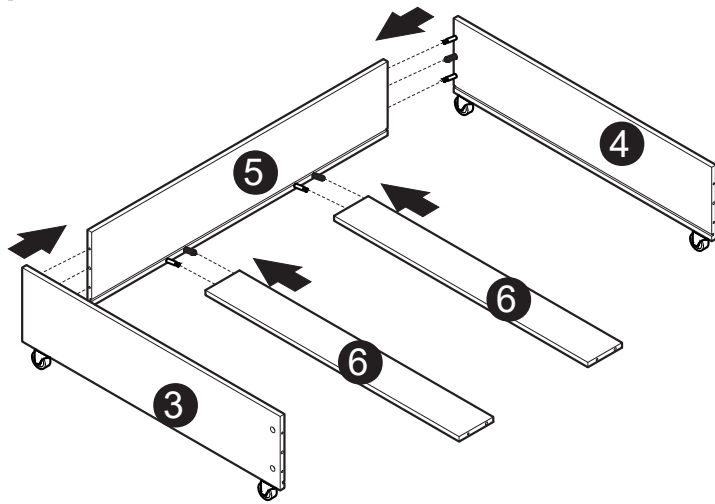
D × 8



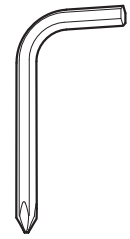
Step 6 :



Step 7 :



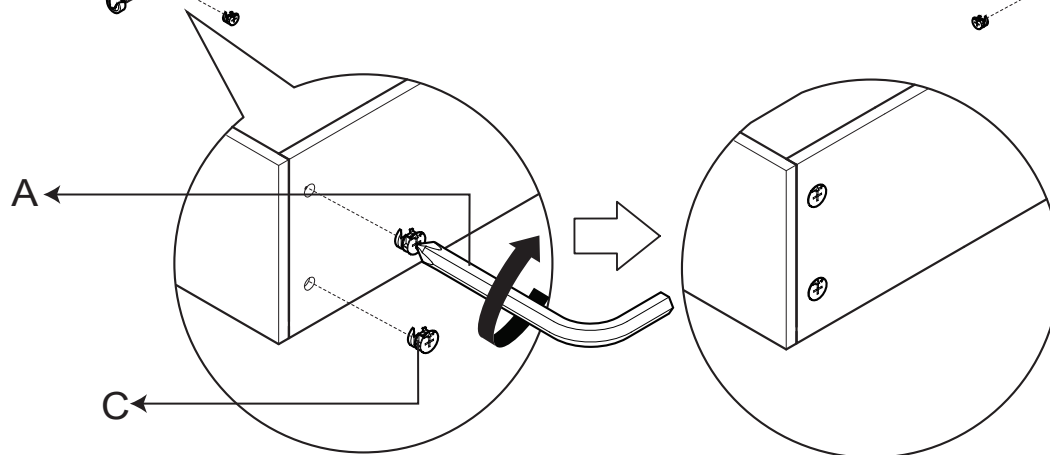
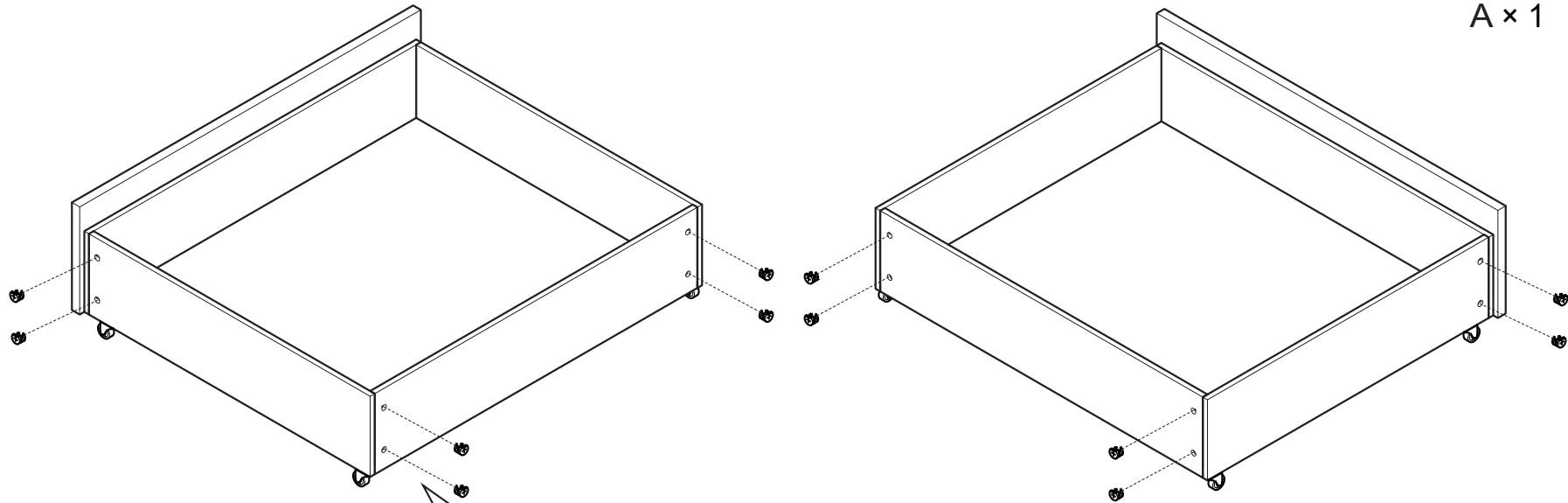
Step 8 :



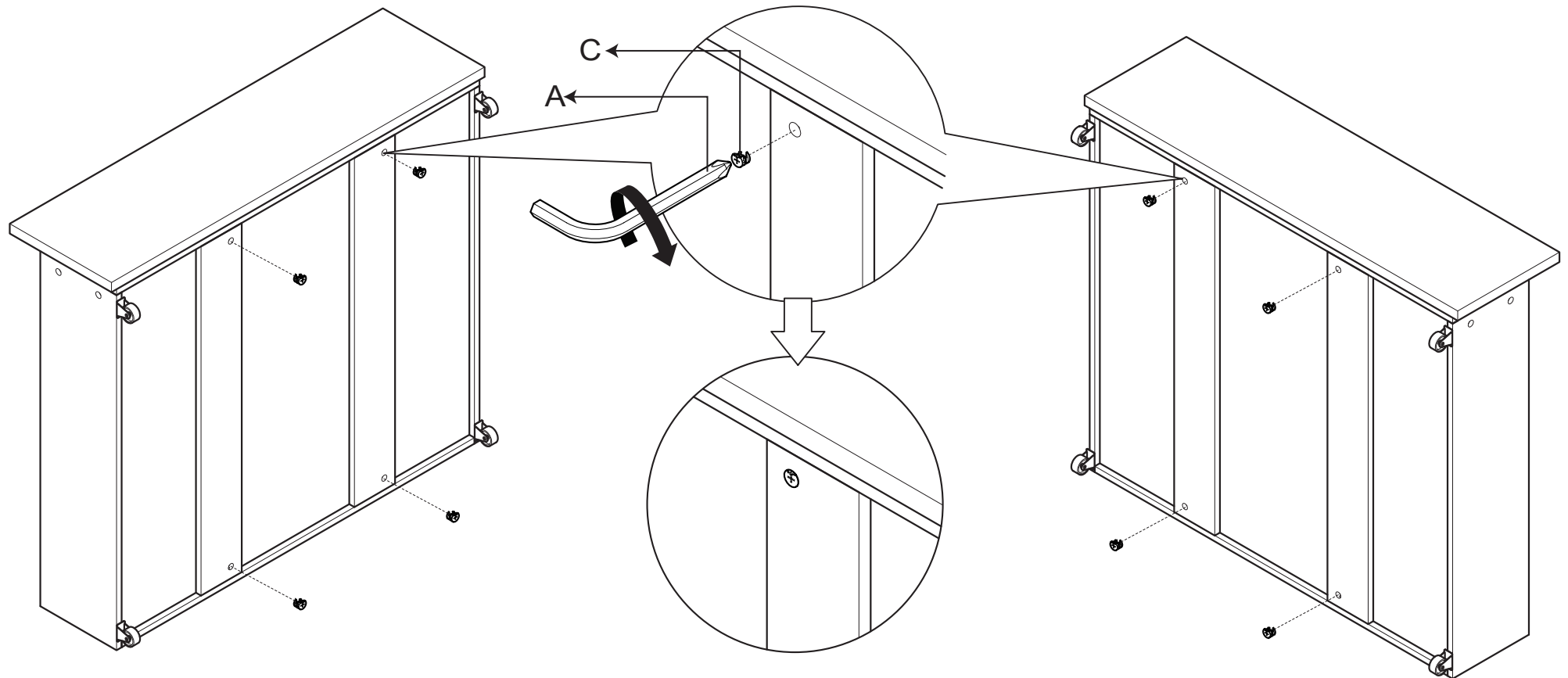
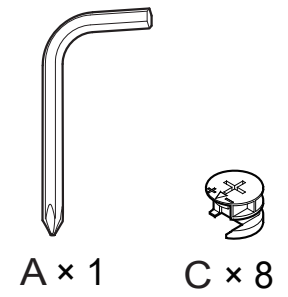
A × 1



C × 16

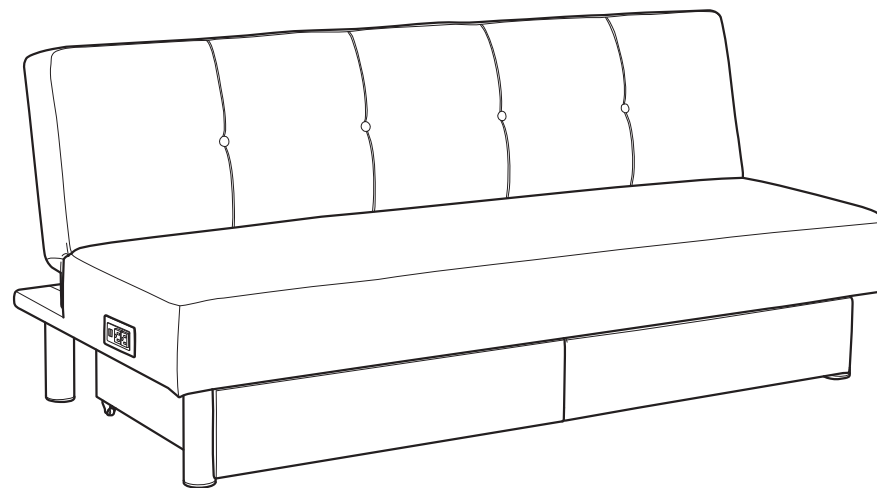
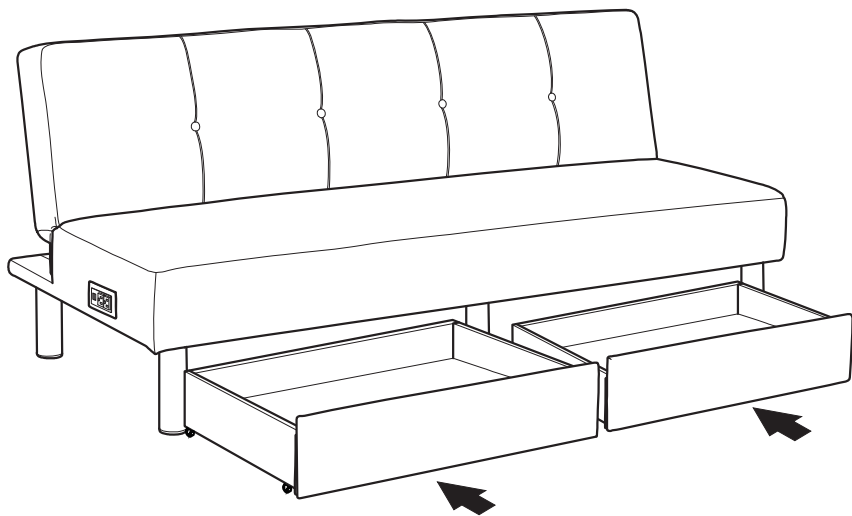


Step 9 :



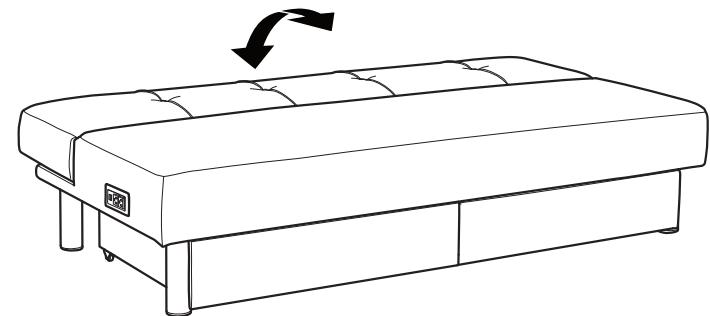
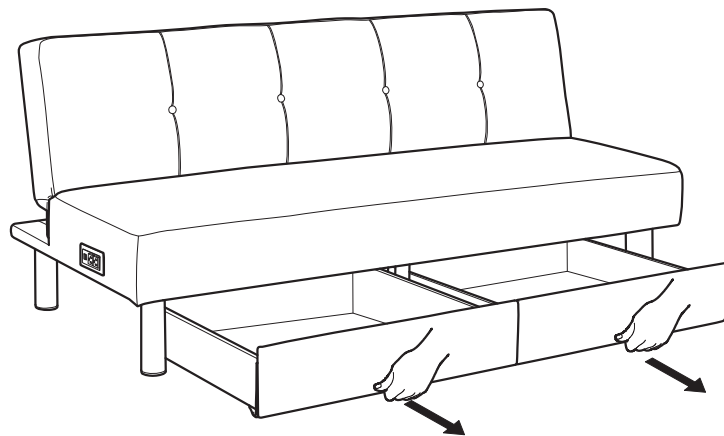
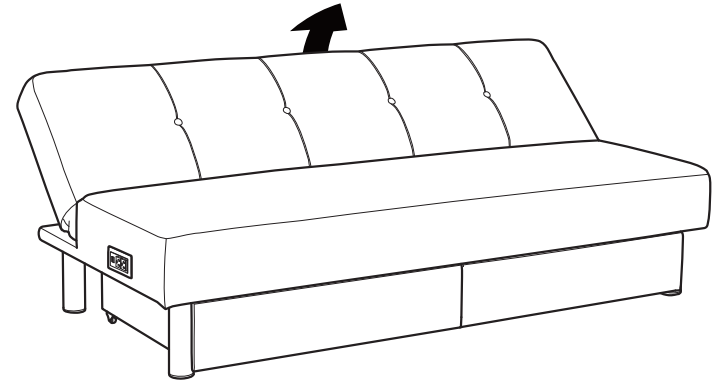
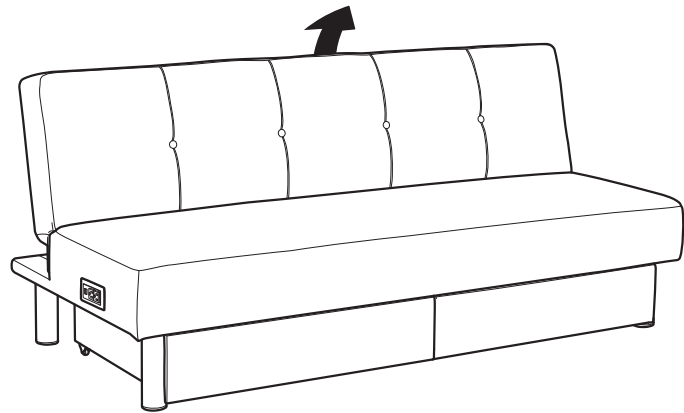
---

Step 10 :

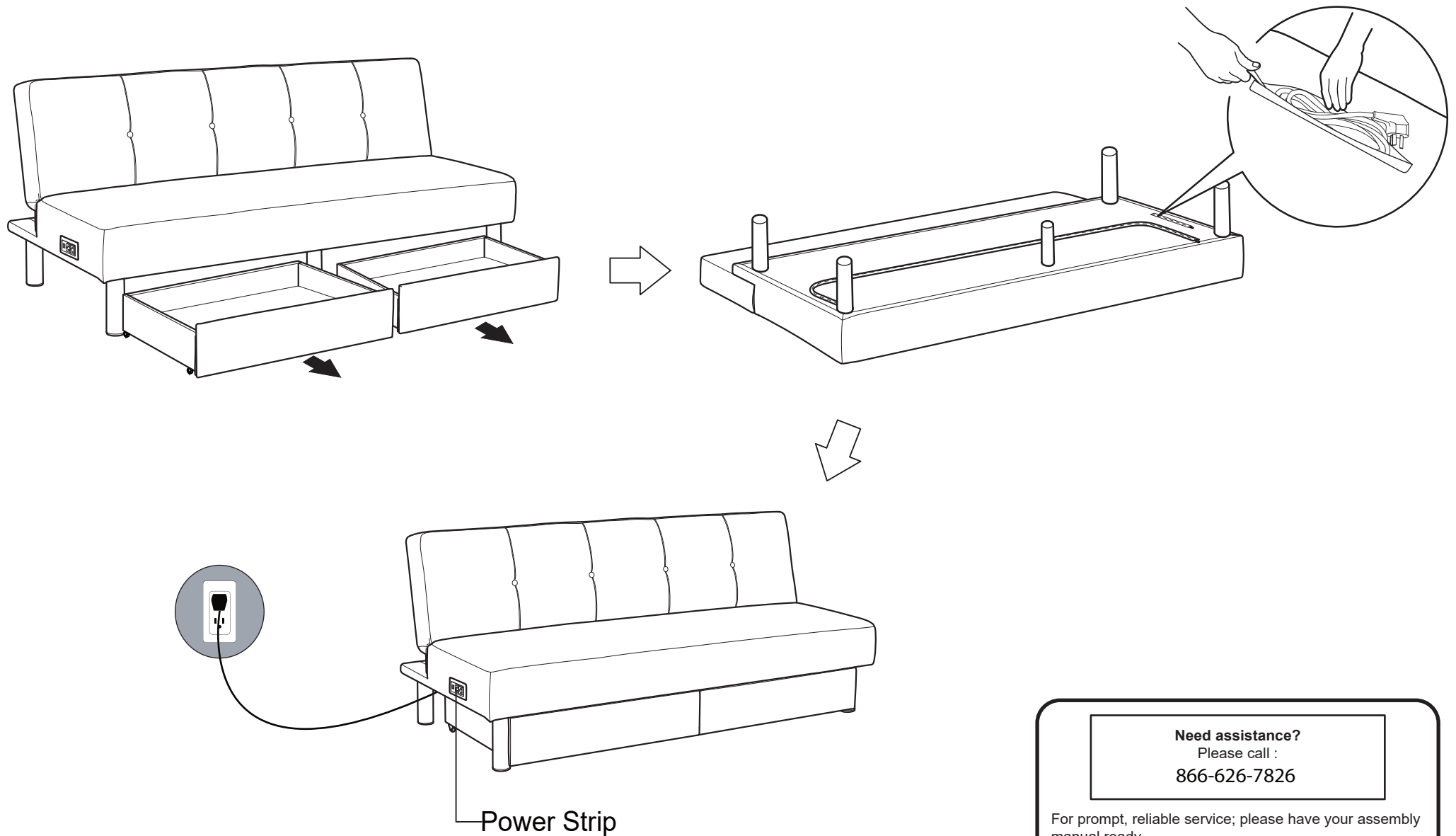


---

FUNCTIONS :



# FUNCTIONS :



**Need assistance?**

Please call :

**866-626-7826**

For prompt, reliable service; please have your assembly manual ready.