

TROUBLESHOOTING:

	Possible Cause	Corrective Action
Bulb will not light.	1. Bulb is burned out.	1. Replace light bulb.
	2. Power is off.	2. Make sure power supply is on.
	3. Cord not plugged in.	3. Make sure cord is plugged into the outlet.
	4. Circuit breaker off.	4. Make sure circuit breaker is to the 'on' position.
Fuse blows or circuit breaker trips when light is turned on.	1. Exposed wire	1. Discontinue use. Unplug unit from the wall and contact a qualified electrician

PRODUCT MAINTENANCE:

1. To clean simply wipe with a soft dry cloth.
2. Do not use any cleaners with chemicals, solvents or harsh abrasives.

LIMITED WARRANTY

The manufacturer warrants this portable luminaire to be free from defects in materials and workmanship for a period of one (1) year from date of purchase. This warranty applies only to the original consumer purchaser and only to products used in normal use and service. If this product is found to be defective, the manufacturer's only obligation, and your exclusive remedy, is the repair or replacement of the product at the manufacturer's discretion, provided that the product has not been damaged through misuse, abuse, accident, modifications, alterations, neglect or mishandling. This warranty shall not apply to any product that is found to have been improperly installed, setup, or used in any way not in accordance with the instruction supplied with the product. This warranty shall not apply to a failure of the product as a result of an accident, misuse, abuse, negligence, alteration, or faulty installation, or any other failure not relating to faulty material or workmanship. This warranty shall not apply to the finish on any portion of the product, such as surface and/or weathering, as this is considered normal wear and tear. **The manufacturer does not warrant and specially disclaims any warranty, whether express or implied, of fitness for a particular purpose, other than the warranty contained herein. The manufacturer specifically disclaims any liability and shall not be liable for any consequential or incidental loss or damage, including but not limited to any labor / expense costs involved in the replacement or repair of said product.**

INSTRUCTION MANUAL

Style of simplicity



Thank you for purchasing this product

Thank you for purchasing this product. This product has been manufactured to the highest standards of safety and quality.

The lampshade is made of metal, and the reflector makes the light more comfortable.

FEATURES:

1. Durable easy to maintain finish; simply wipe with a clean soft cloth to keep looking new.
2. Using 317 foot switch Makes this light easier to switch on and off and easier to operate
3. Popular E26 (E27) lamp holder may be fitted with a CFL equivalent energy-saving bulb..

QUESTIONS, PROBLEMS, MISSING PARTS:

Before returning to your local Home Depot, please call our Customer Service. Can solve your problem by mail, sales location

In the sales platform, you can submit photos and less parts, we will help you to solve them as soon as possible

CAUTION:

1. Before starting to assemble your portable luminaire, spread all parts out on a clean flat surface. Inspect each part for defects that may have occurred during shipping.

Important : Inspect the wire insulation for any cuts, abrasions or exposed copper that may have resulted during shipping. If there is a defect in the wire, DO NOT continue the assembly operation. Please call our Customer Service

2. CONSULT A QUALIFIED ELECTRICIAN IF YOU HAVE ANY ELECTRICAL QUESTIONS.

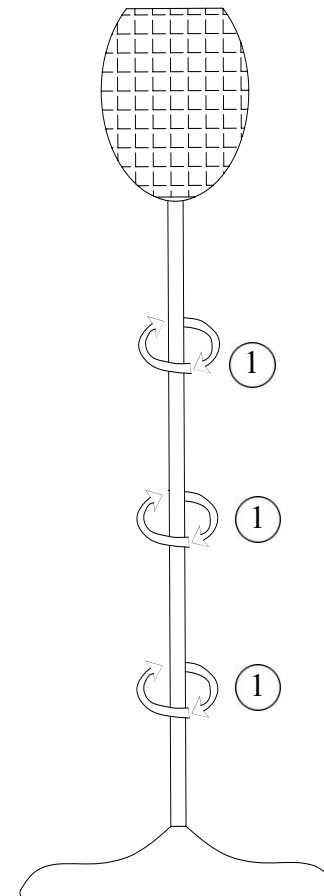
3. Keep your receipt and these Instructions for Proof of Purchase.

TOOLS REQUIRED FOR ASSEMBLY:



1 ea—150-watt maximum 1-way type
A bulb (or CFL equivalent)
(not included)

PARTS INCLUDED FOR ASSEMBLY (parts are not to scale):



1. ASSEMBLY INSTRUCTIONS:

Fix the water pipe on the lamp holder