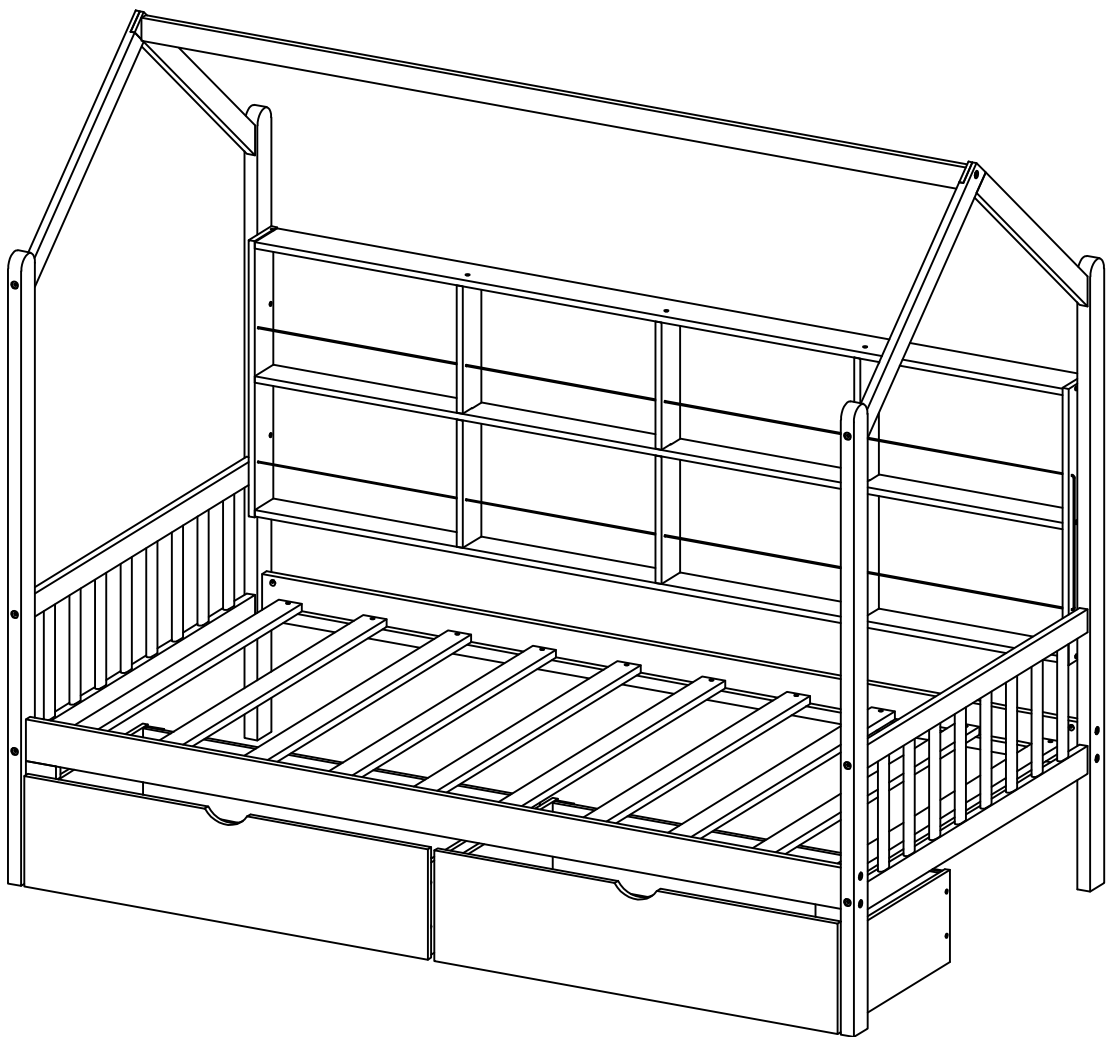
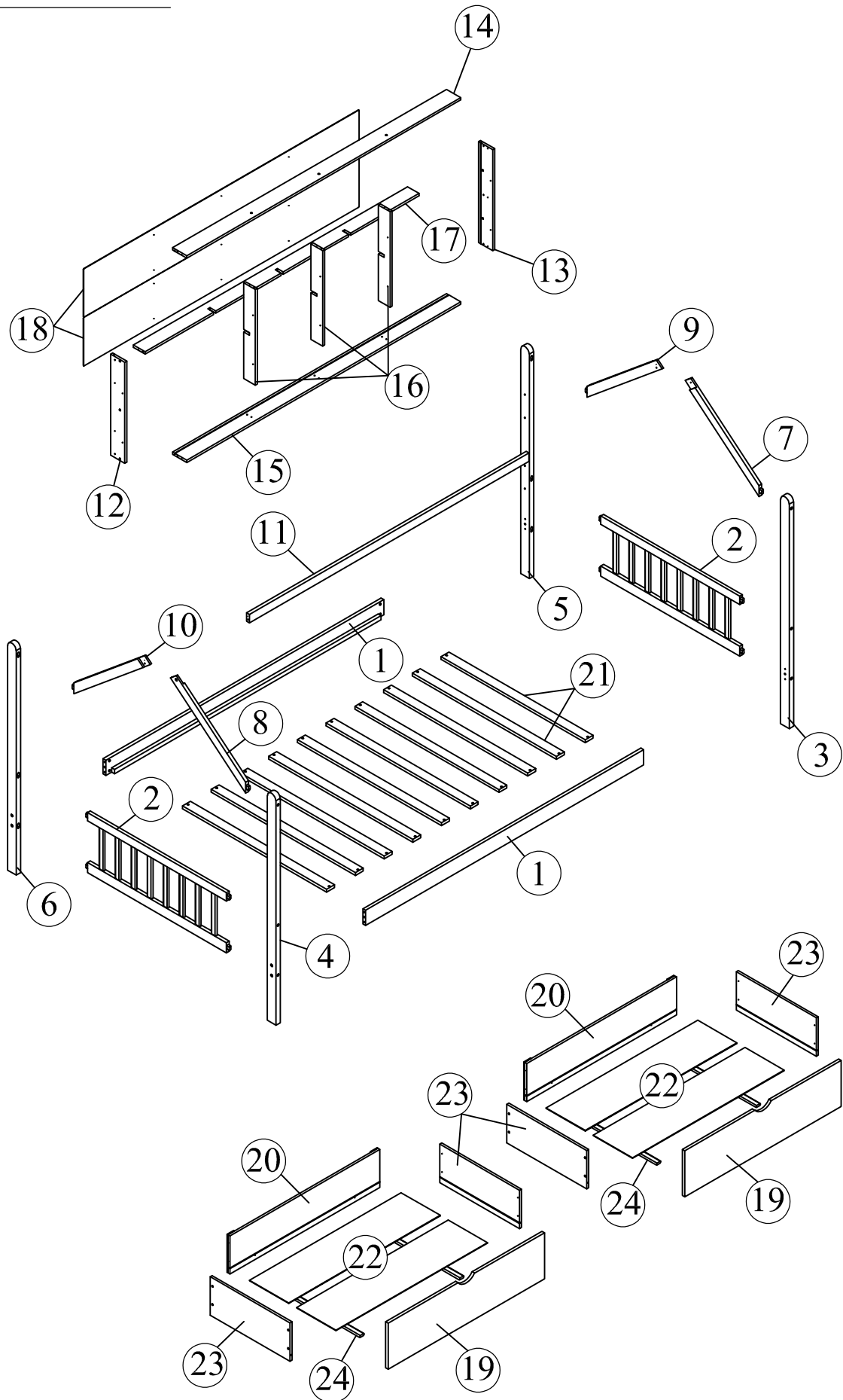


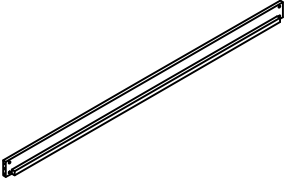
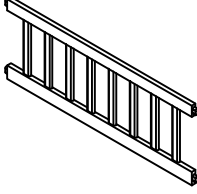




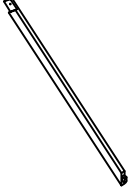
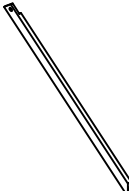


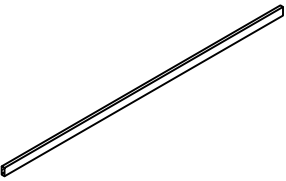


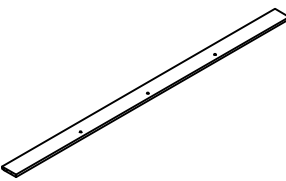
ASSEMBLY INSTRUCTION



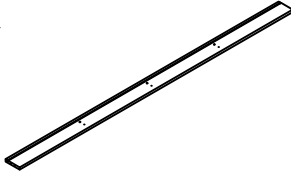

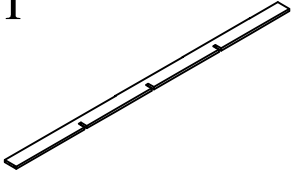
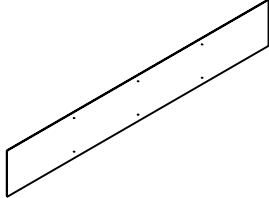
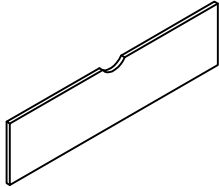
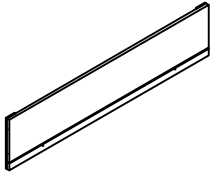
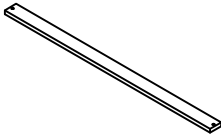
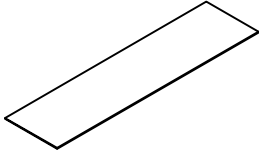
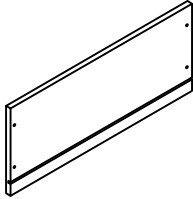

DETAIL VIEW:



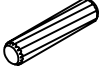
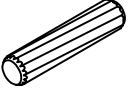
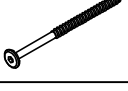




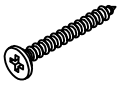





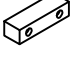
Part List

<p>① x2</p>  <p>Side Rails</p>	<p>② x2</p>  <p>Frames Headboards</p>
<p>③ x1</p>  <p>Front Right Leg</p>	<p>④ x1</p>  <p>Front Left Leg</p>
<p>⑤ x1</p>  <p>Back Right Leg</p>	<p>⑥ x1</p>  <p>Back Left Leg</p>
<p>⑦ x1</p>  <p>Front Right Roof Rail</p>	<p>⑧ x1</p>  <p>Front Left Roof Rail</p>
<p>⑨ x1</p>  <p>Back Right Roof Rail</p>	<p>⑩ x1</p>  <p>Back Left Roof Rail</p>
<p>⑪ x1</p>  <p>Roof Rail</p>	<p>⑫ x1</p>  <p>Left Side Shelf</p>
<p>⑬ x1</p>  <p>Right Side Shelf</p>	<p>⑭ x1</p>  <p>Top Shelf</p>

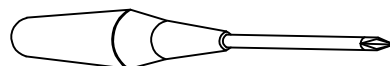
Part List

<p>①⑤ x1</p>  <p>Bottom Shelf</p>	<p>①⑥ x3</p>  <p>Shelf</p>
<p>①⑦ x1</p>  <p>Shelf</p>	<p>①⑧ x2</p>  <p>Back Shelf</p>
<p>①⑨ x2</p>  <p>Front Drawers</p>	<p>②⑦ x2</p>  <p>Back Drawers</p>
<p>②① x10</p>  <p>Slats</p>	<p>②② x4</p>  <p>Bottom Drawers</p>
<p>②③ x4</p>  <p>Side Drawers</p>	<p>②④ x4</p>  <p>Drawer Side Supports</p>


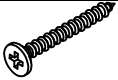
Hardware List

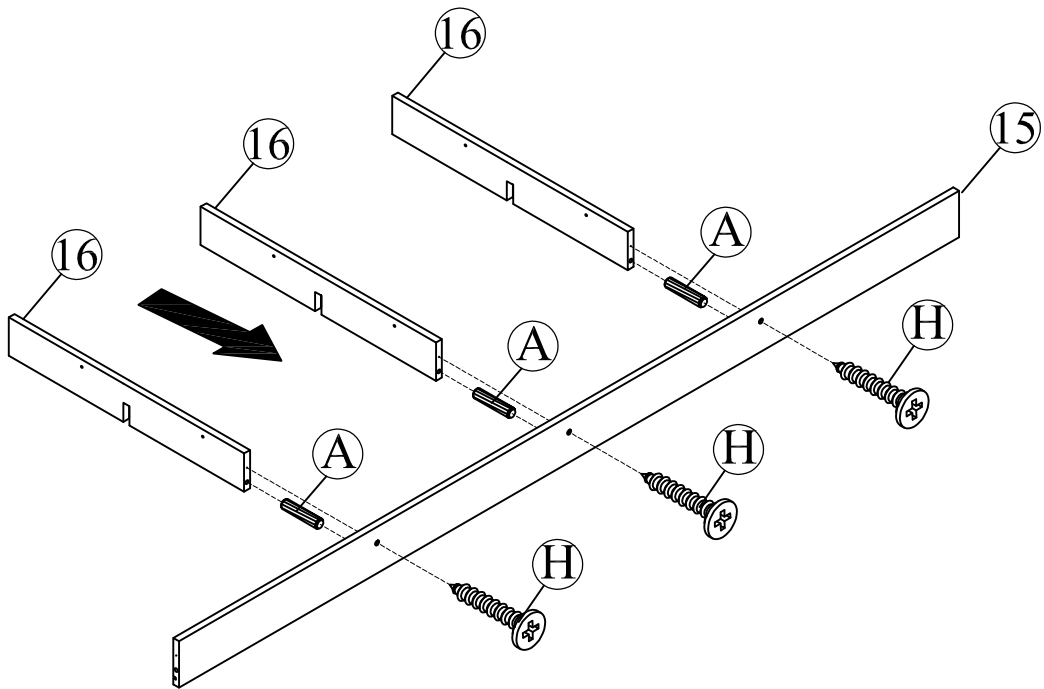
No.	OUTLOOK	DESC	ITY
(A)		Dowel Ø8*30mm	18
(B)		Dowel Ø10*40mm	4
(C)		Screws Ø6.5*70mm	12
(D)		Bolts 1/4"*25mm	4
(E)		Bolts 1/4"*70mm	10
(F)		Screws #6*12mm	44
(G)		Screws #8*25mm	44
(H)		Screws #8*35mm	12
(I)		Round head screw #8*20mm	12
(J)		Base L	6
(K)		Wheels	8
(M)		Rip cord 4150mm	1
(N)		Allen key 60*22*4mm	1
(O)		Wood stops	2

ASSEMBLY TOOLS REUIRED (NOT INCLUDED)

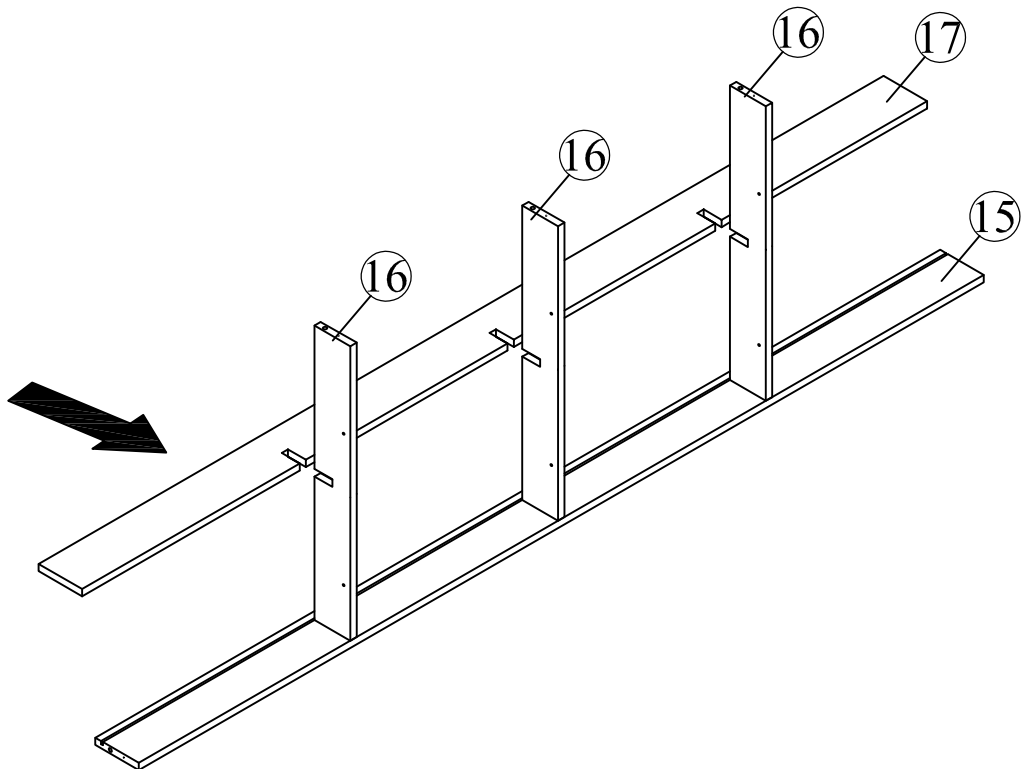


STEP 1:


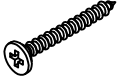
(A)		03
(H)		03

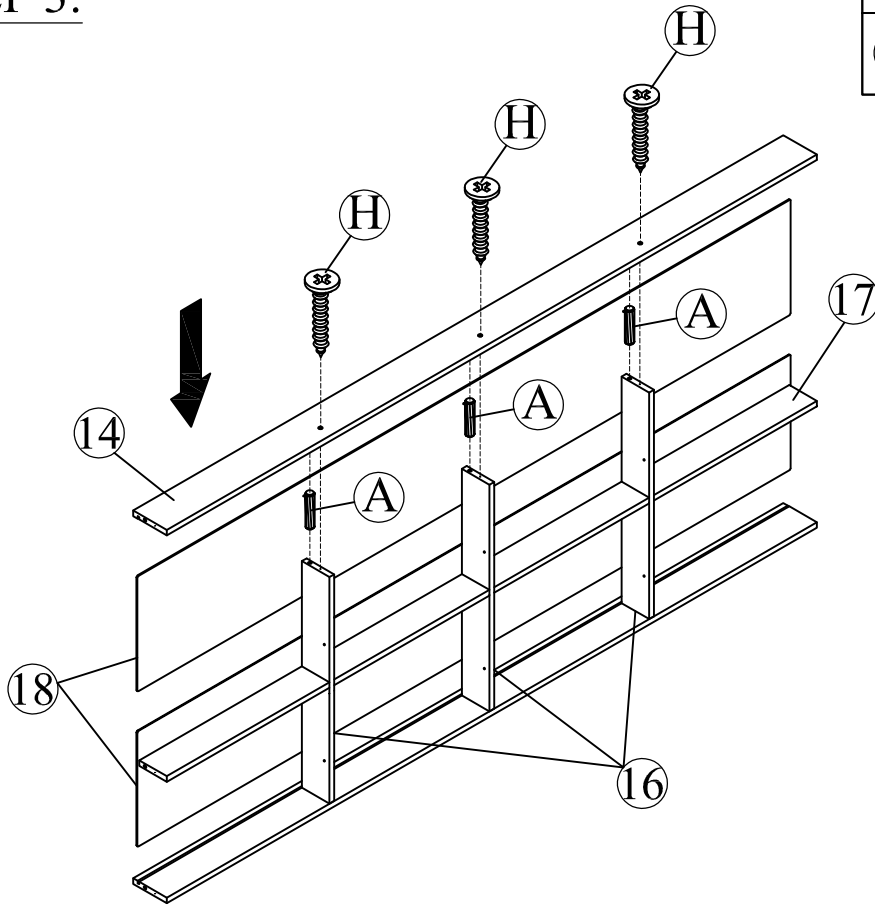


STEP 2:

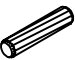
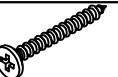




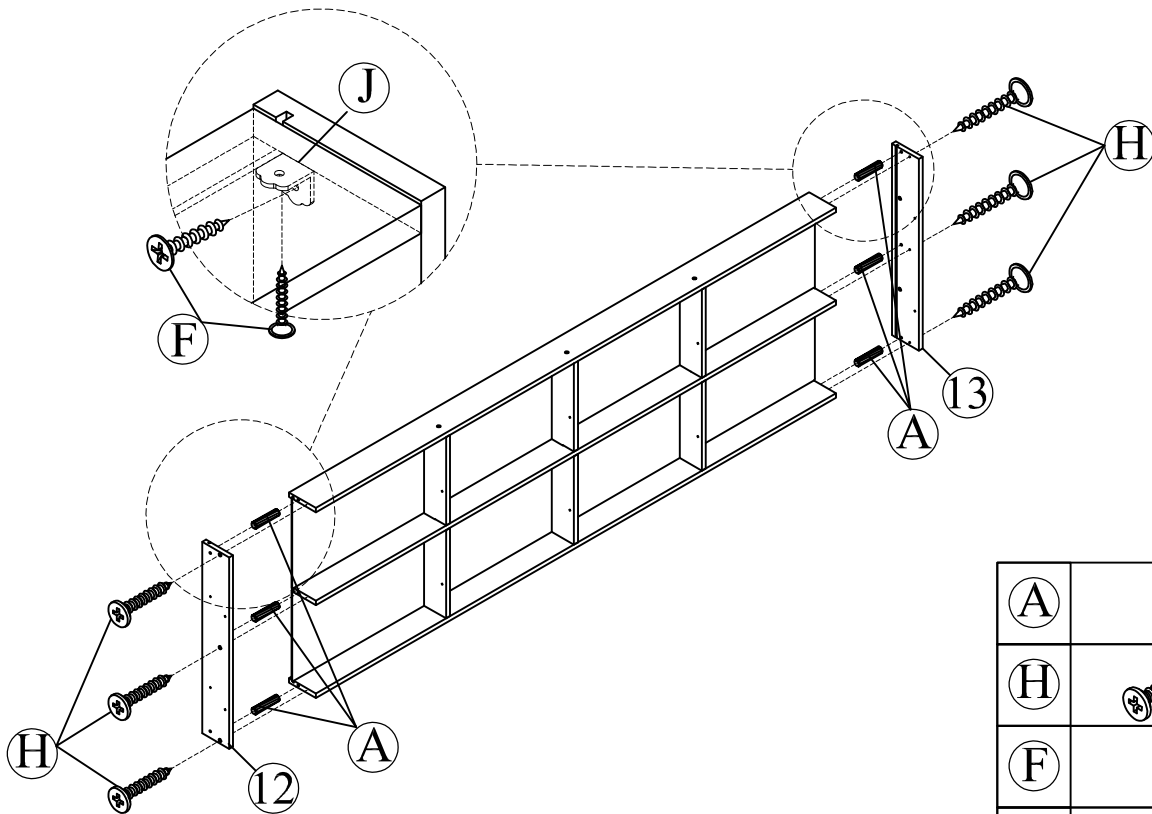
STEP 3:

(A)		03
(H)		03



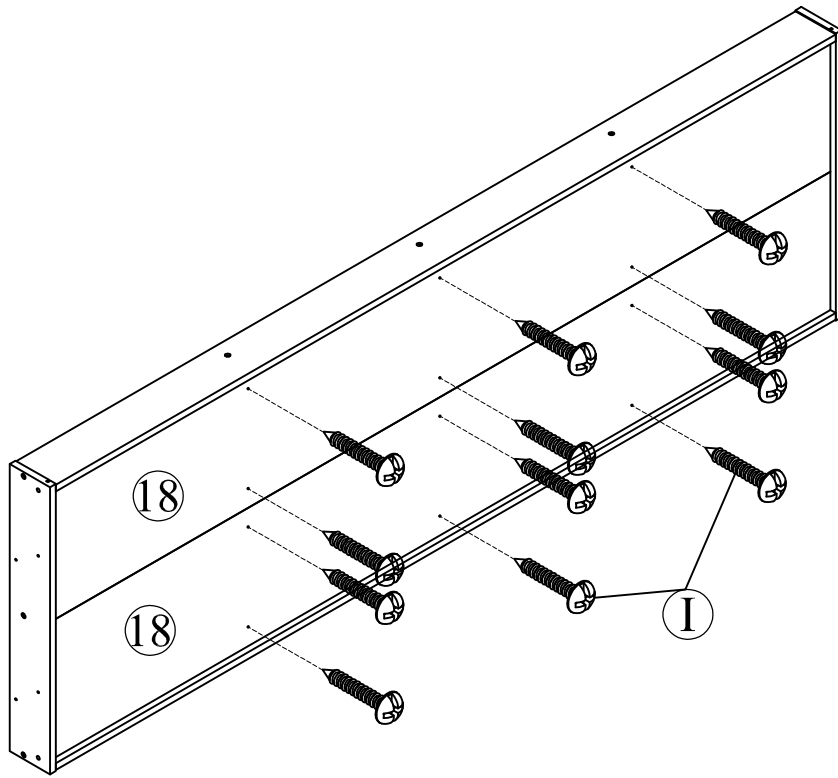
STEP 4:

(A)		06
(H)		06
(F)		04
(J)		02




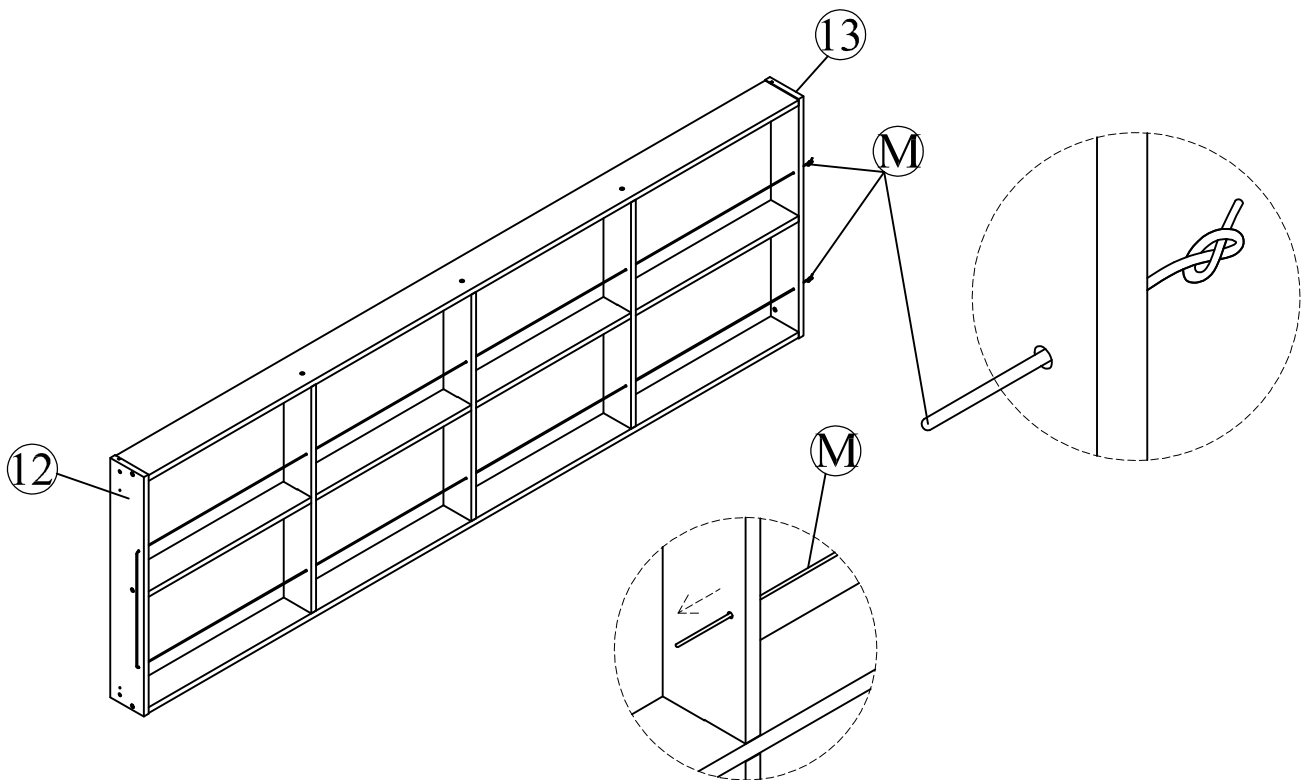
STEP 5:

I		12
---	---	----





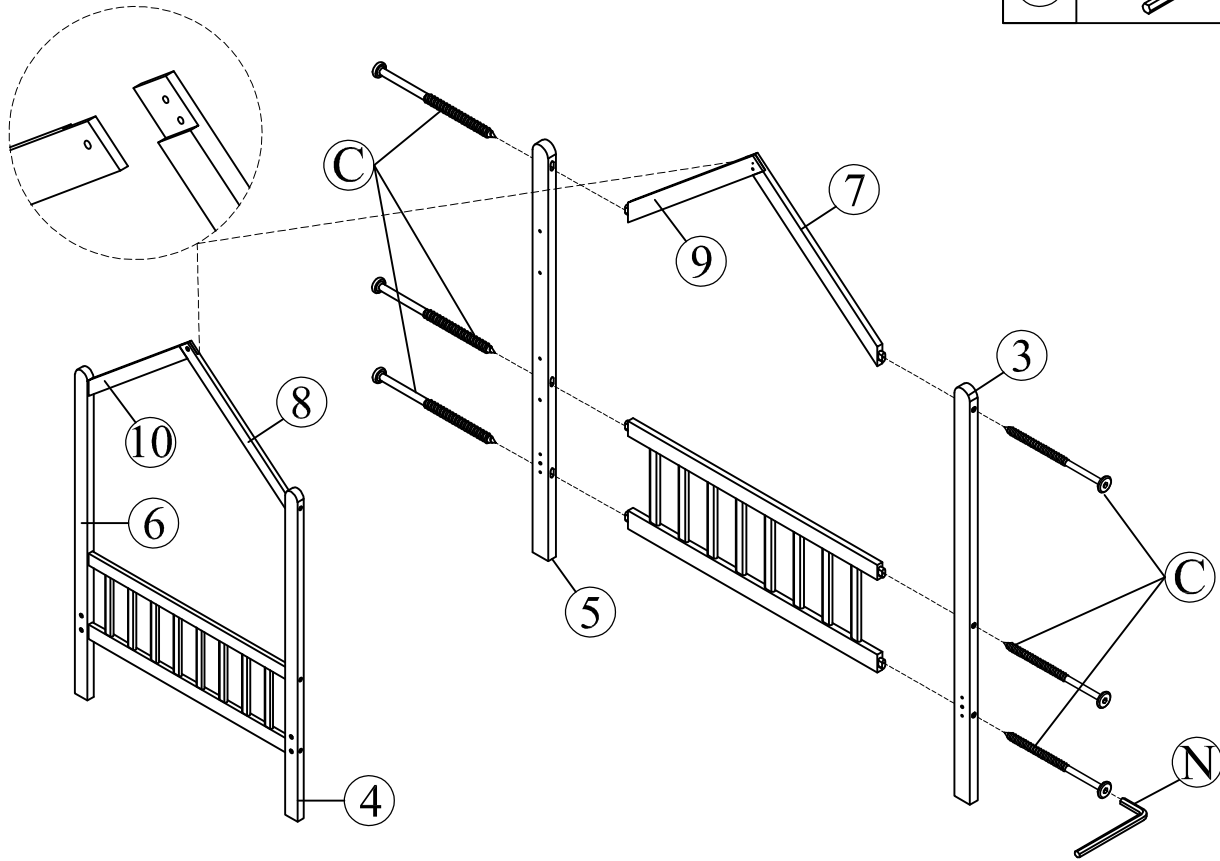
STEP 6:

M		01
---	---	----


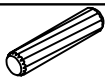
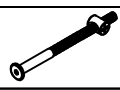



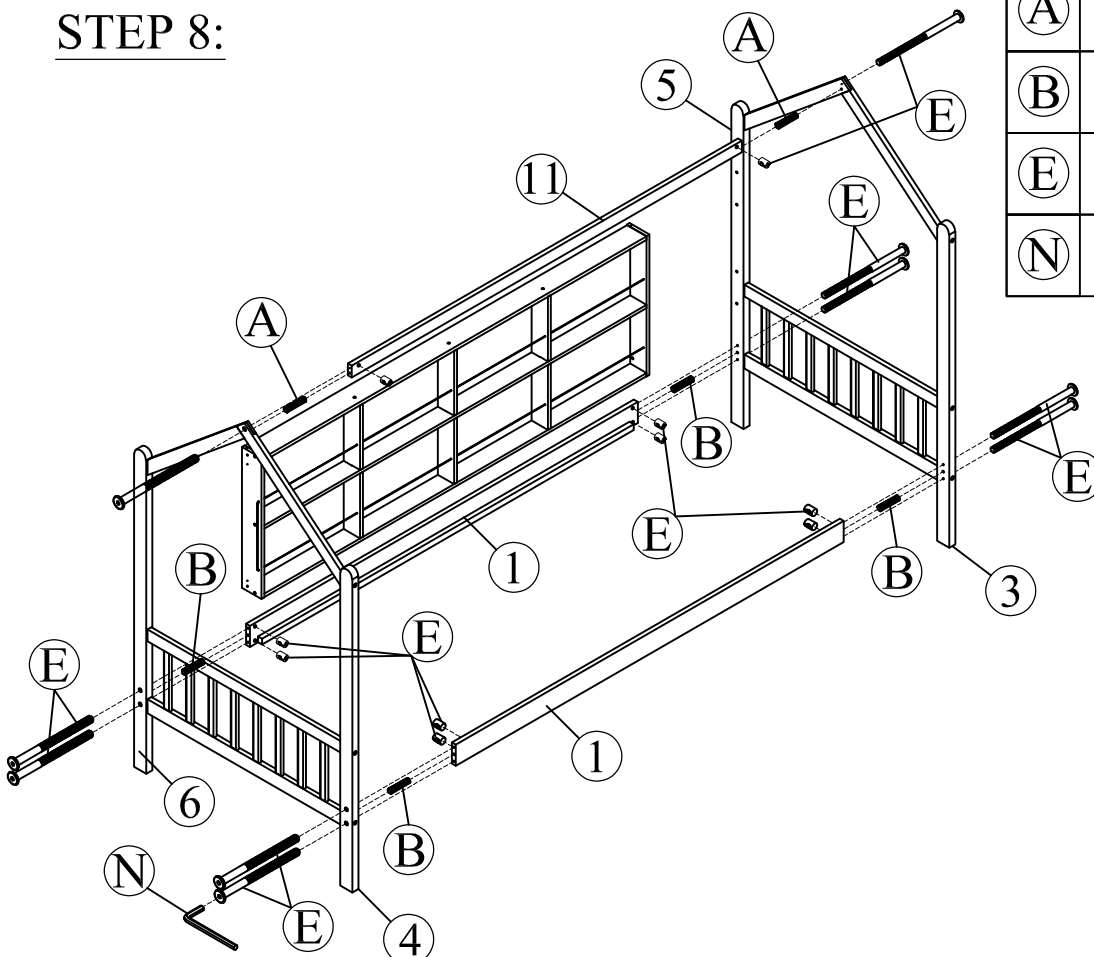
STEP 7:

(C)		12
(N)		01

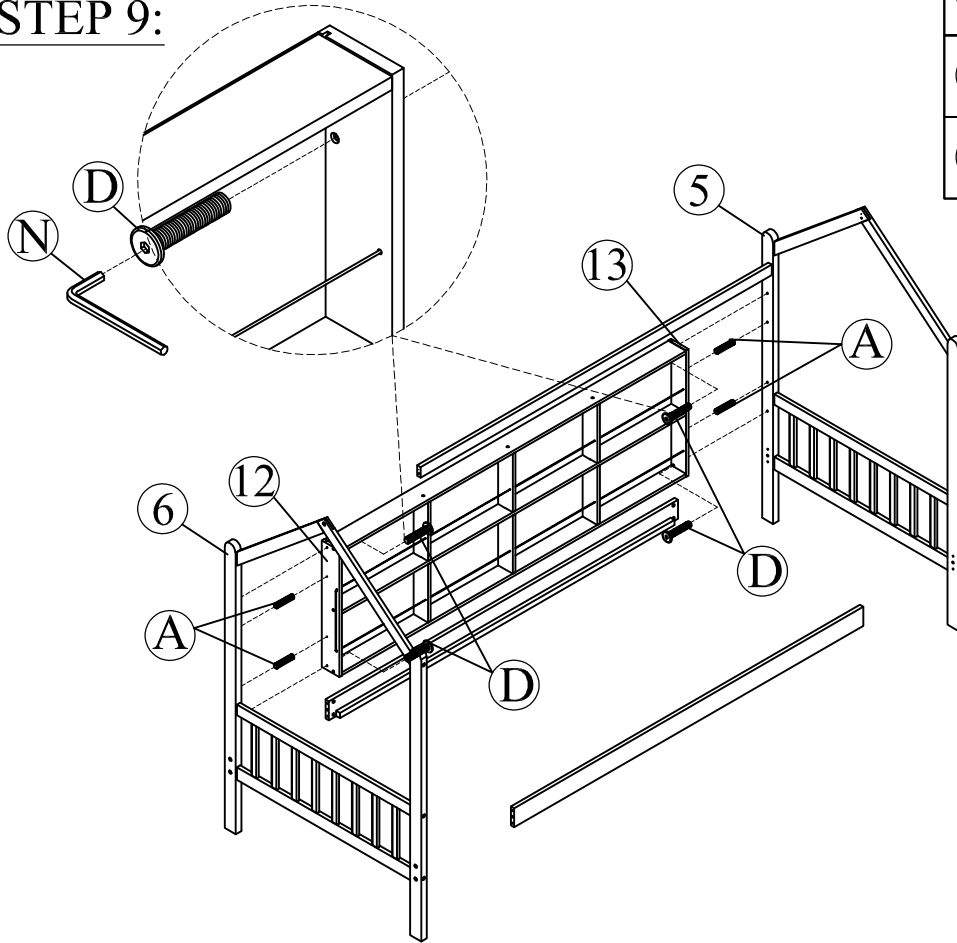





STEP 8:

(A)		02
(B)		04
(E)		10
(N)		01

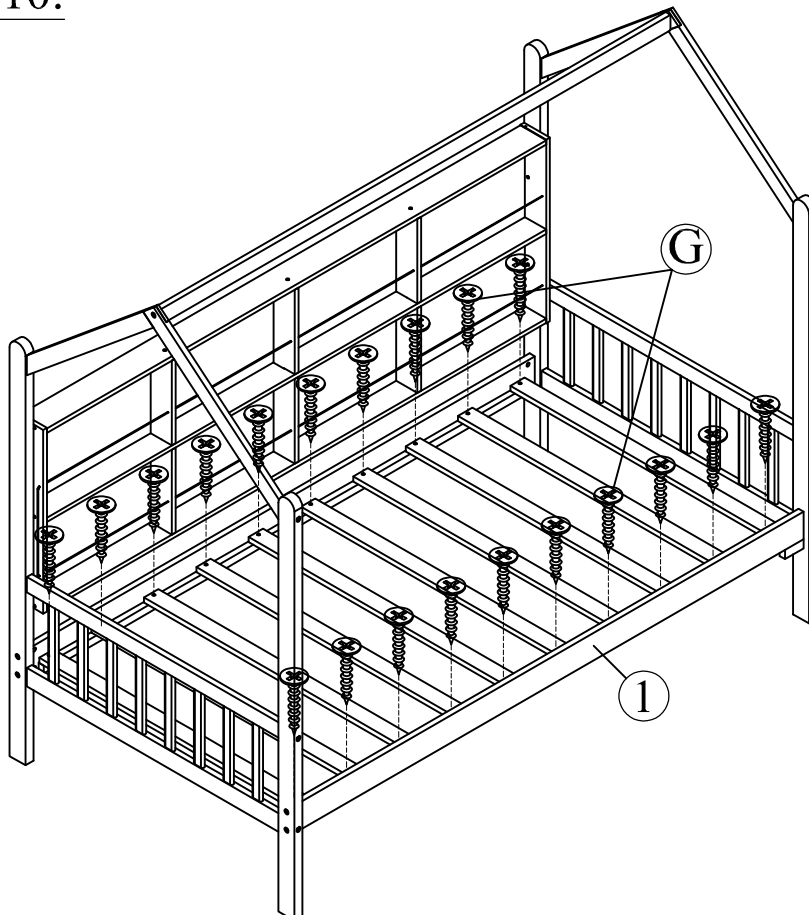



STEP 9:

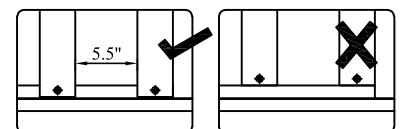


(A)		04
(D)		04
(N)		01


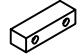
STEP 10:

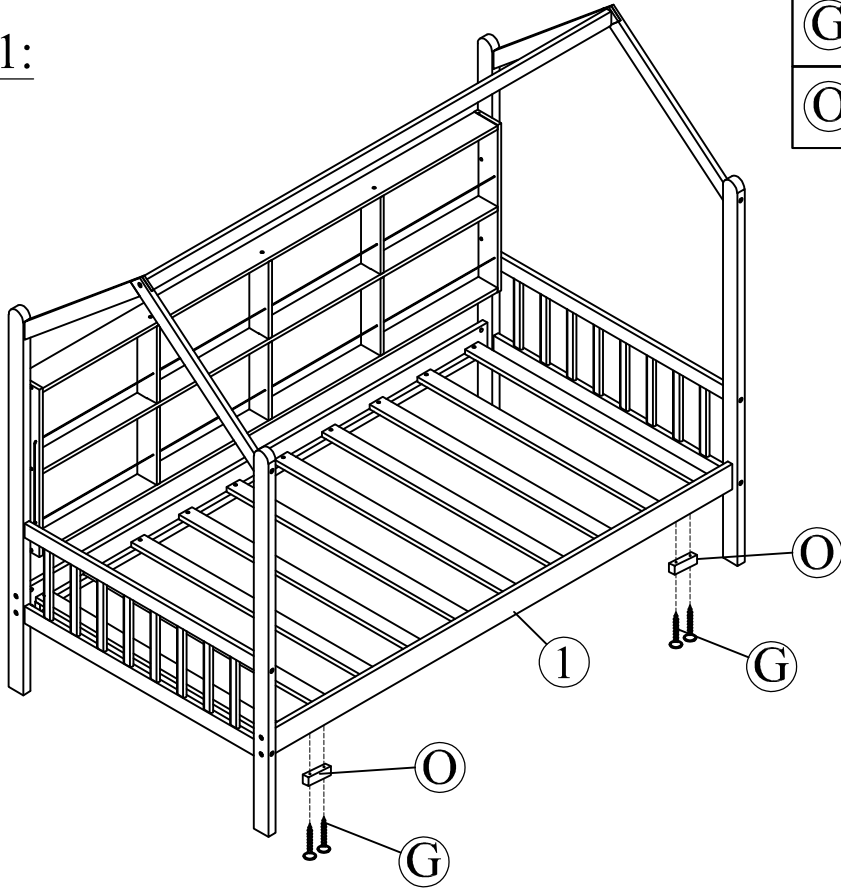


(G)		20
-----	---	----




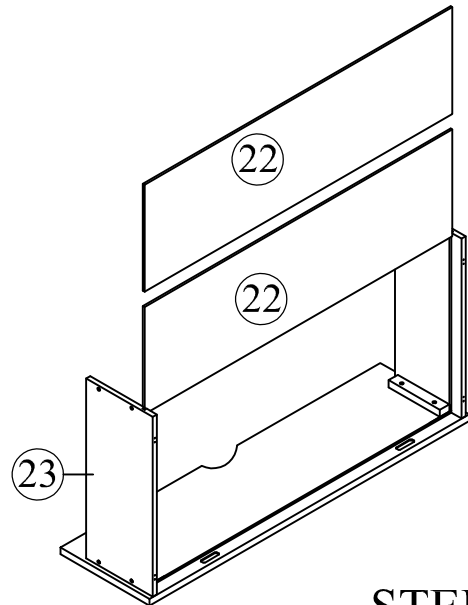
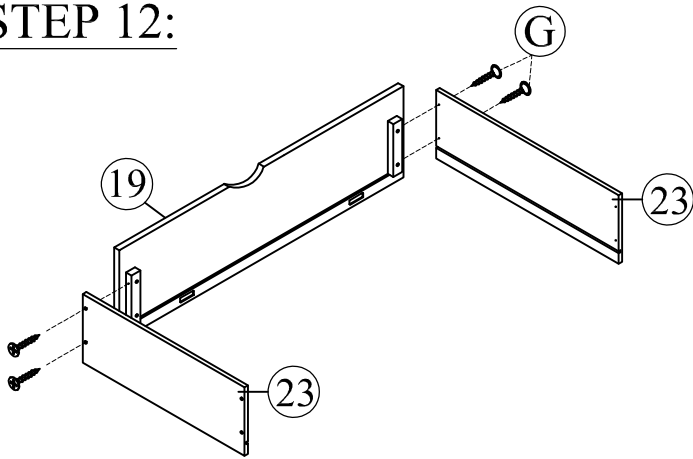
STEP 11:

G		04
O		02



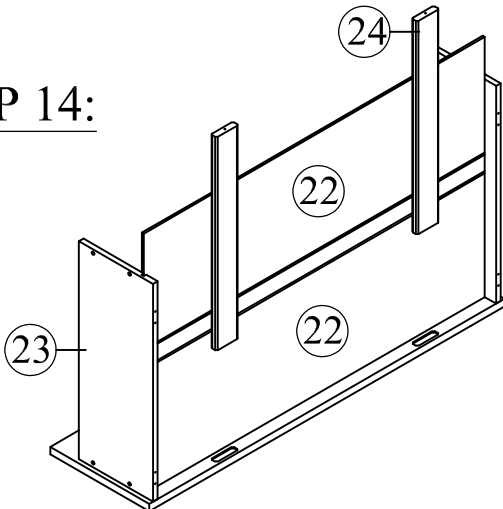
STEP 12:

G		08
---	---	----



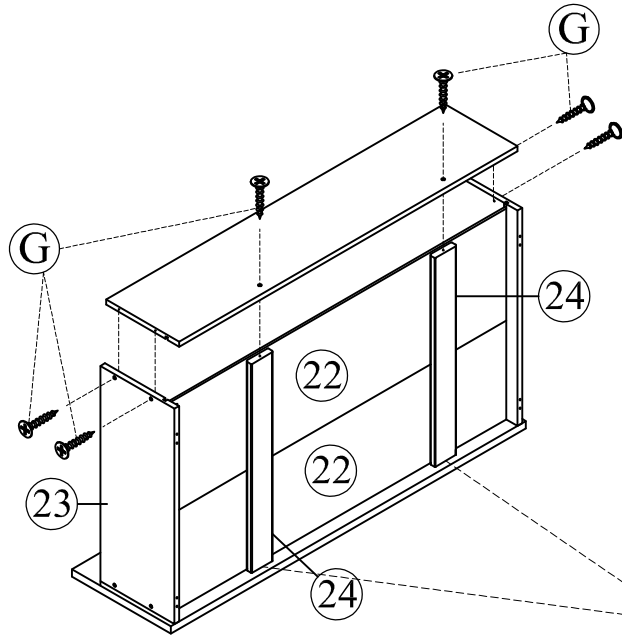
STEP 13:

STEP 14:

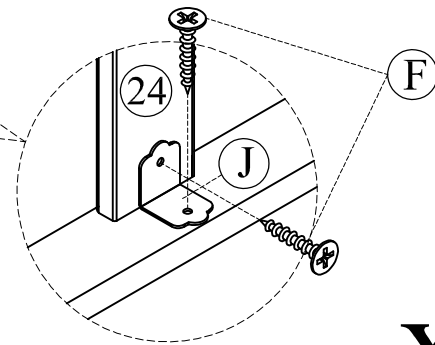


x2

STEP 15:

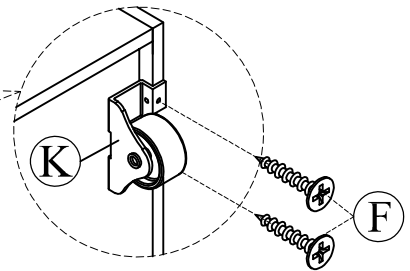
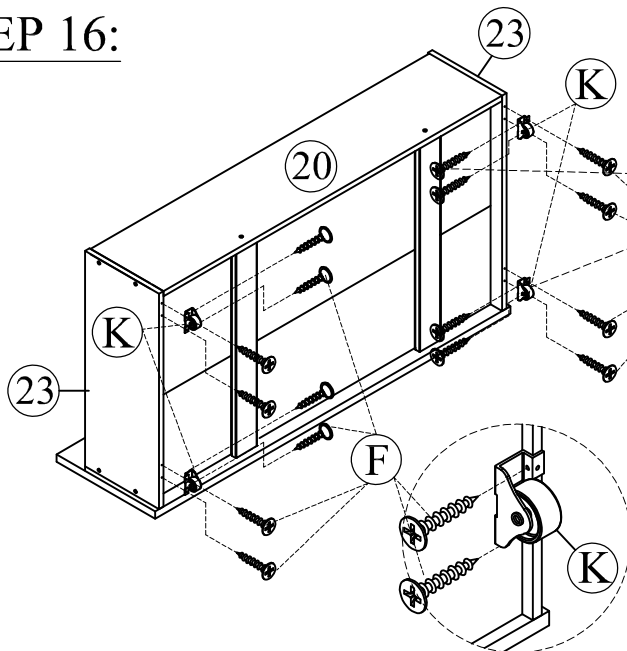


(G)		12
(F)		08
(J)		04

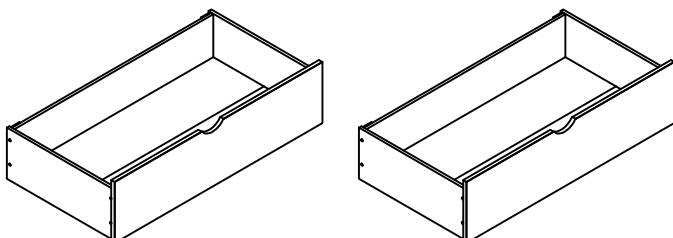


x2

STEP 16:



x2



(F)		32
(K)		08

FINAL:

