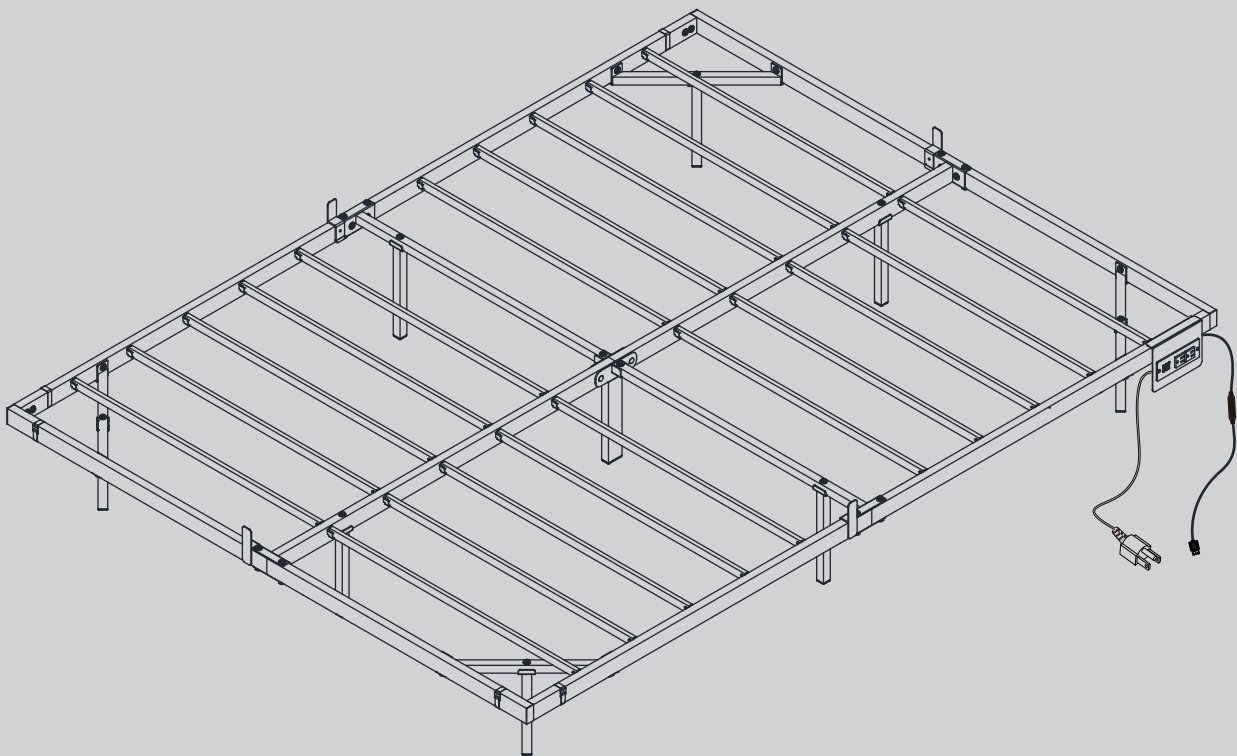







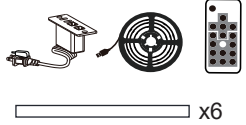

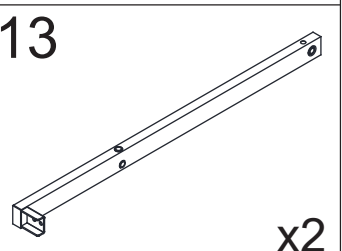
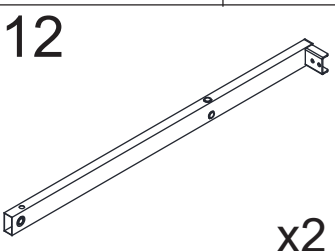
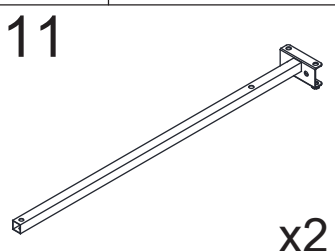
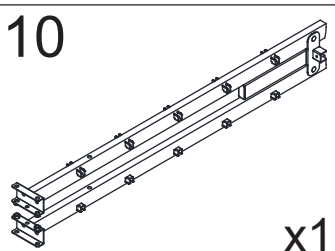
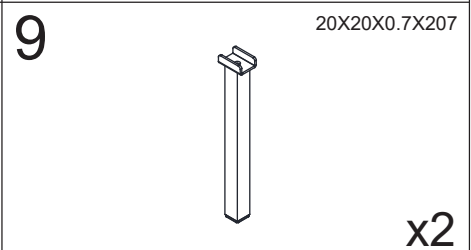
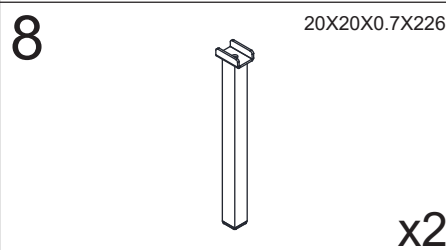
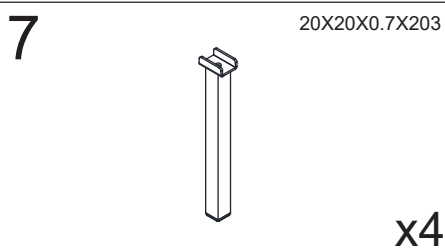
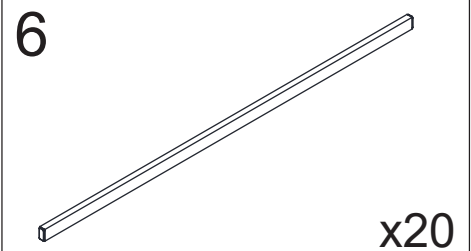
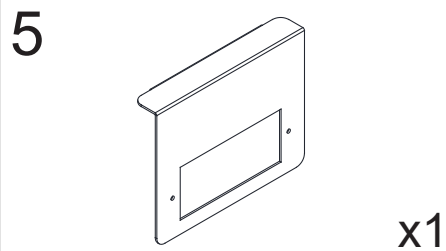
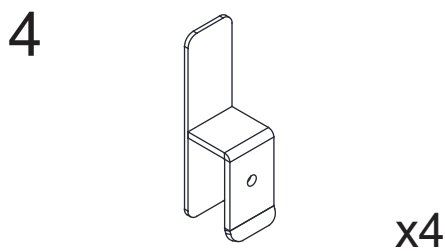
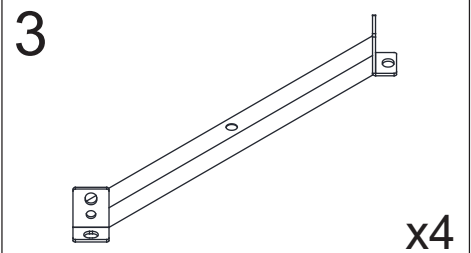
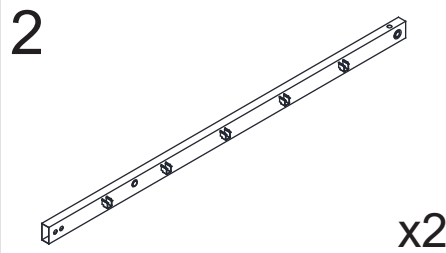
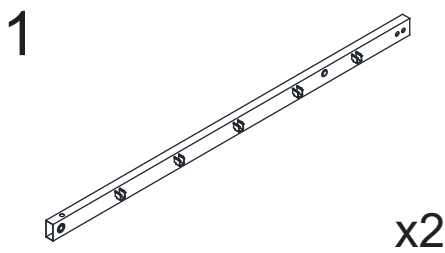
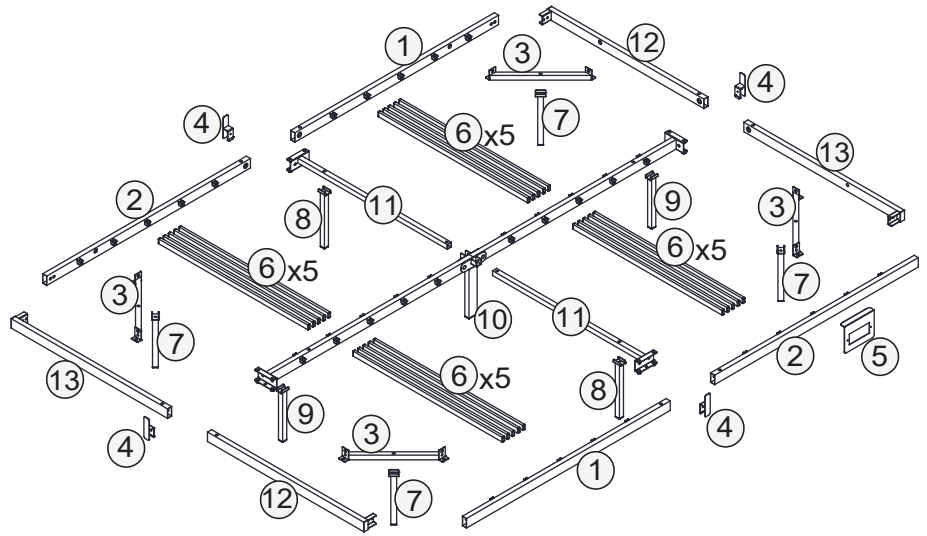


BED FRAME

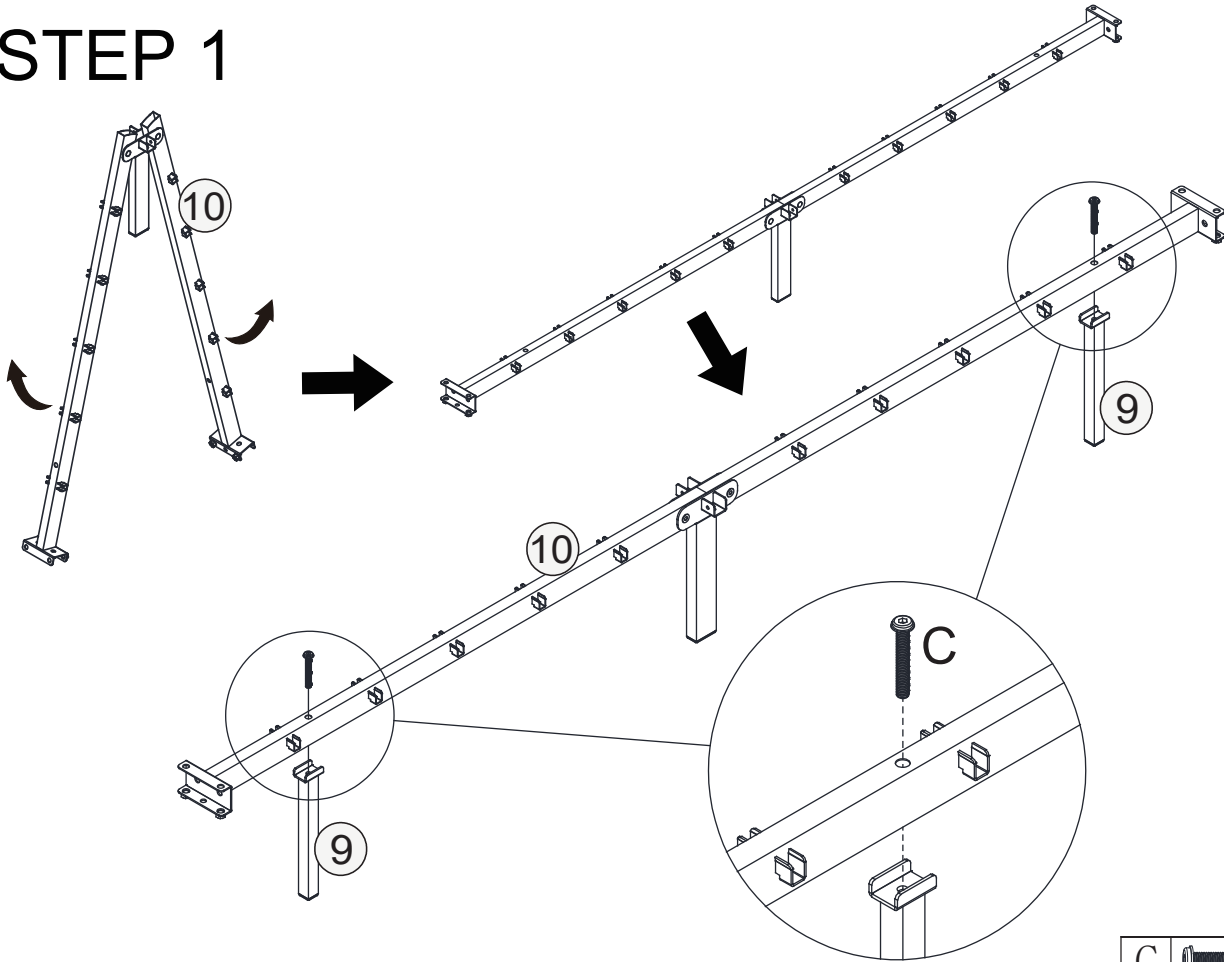


Thank you for choosing our products, please assemble and use it following the instructions.

A		M8X14	x32
B		M8X30	x6
C		M8X55	x10
E		M6X30	x2
F		M4X10	x2
G		M6	x1
H		M8	x1
D			x1
			x6

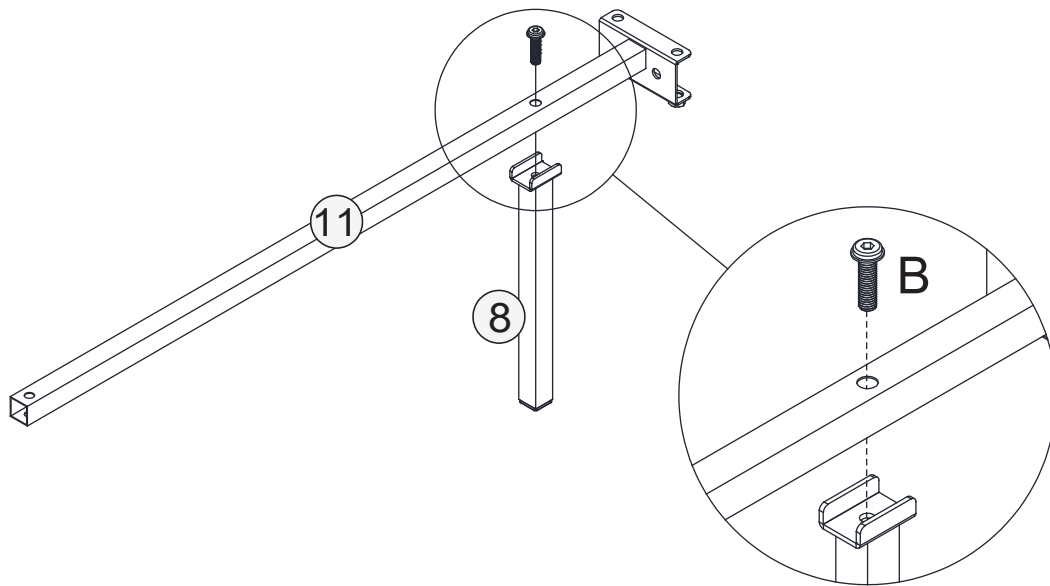


STEP 1



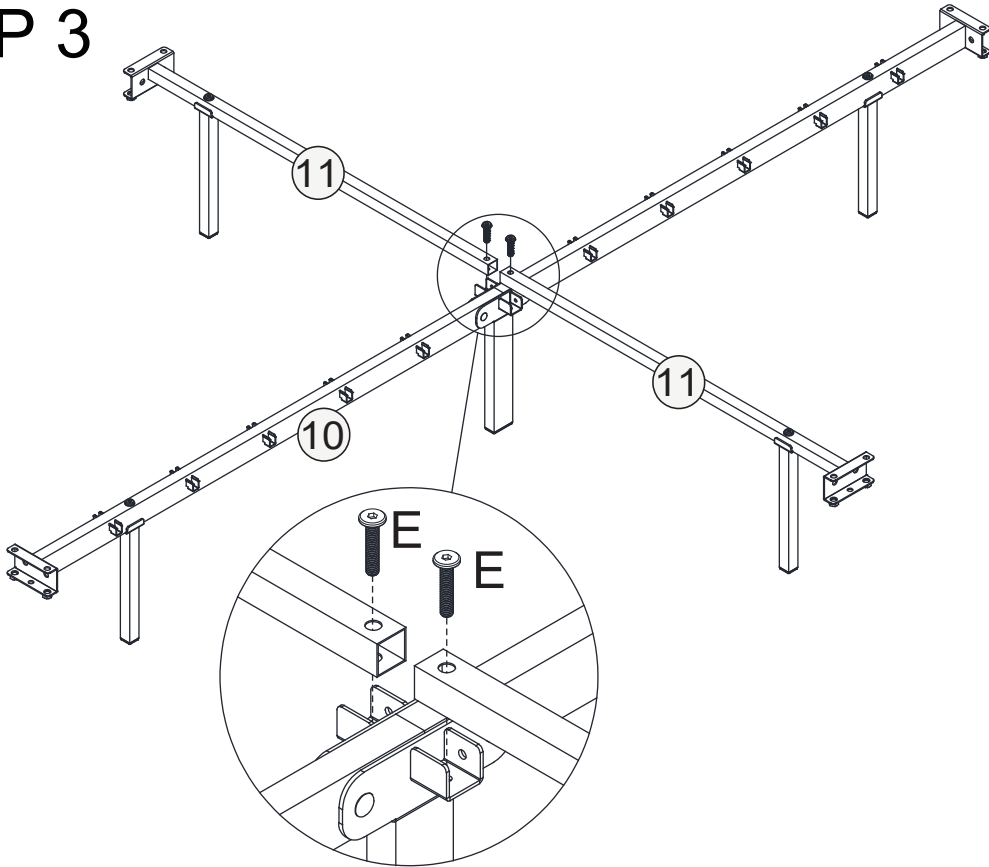
C  x2

STEP 2x2



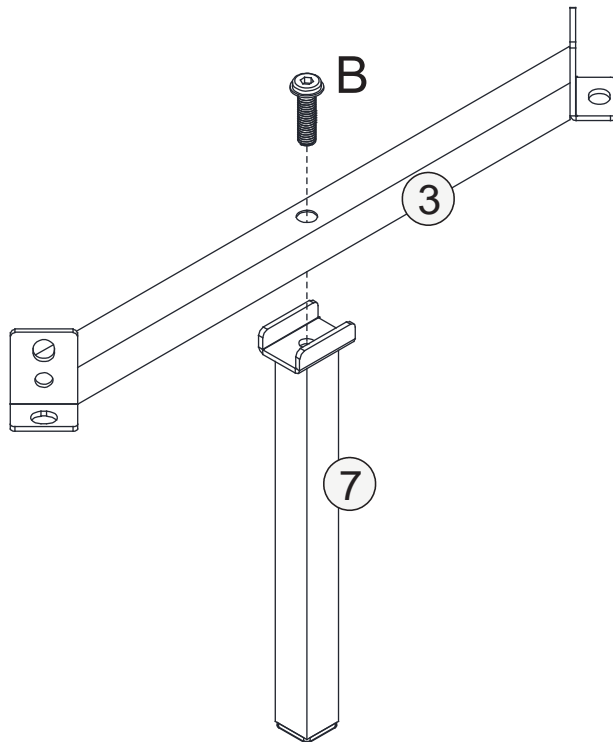
B  x2

STEP 3



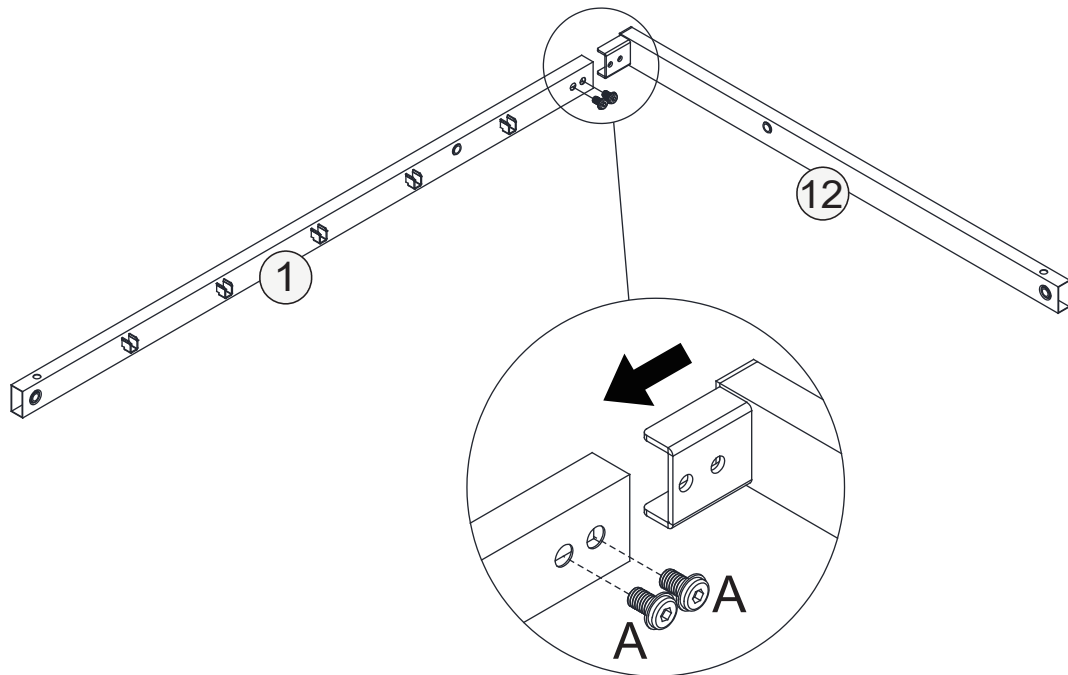
E		x2
---	---	----

STEP 4X4



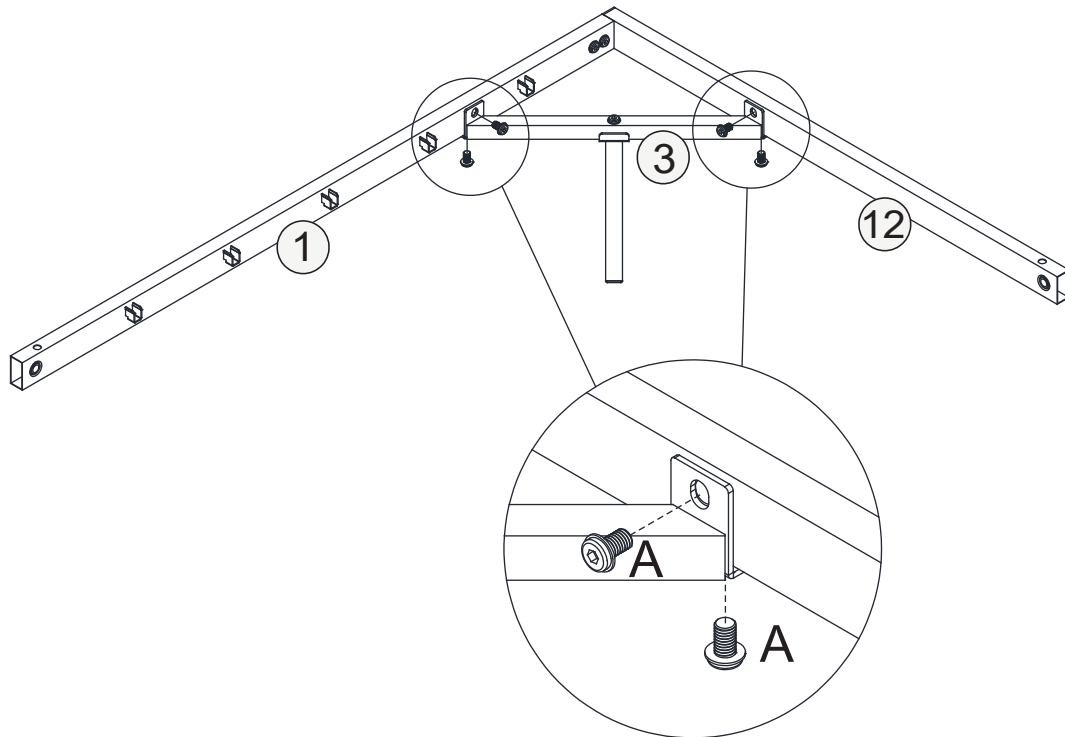
B		x4
---	---	----

STEP 5x2



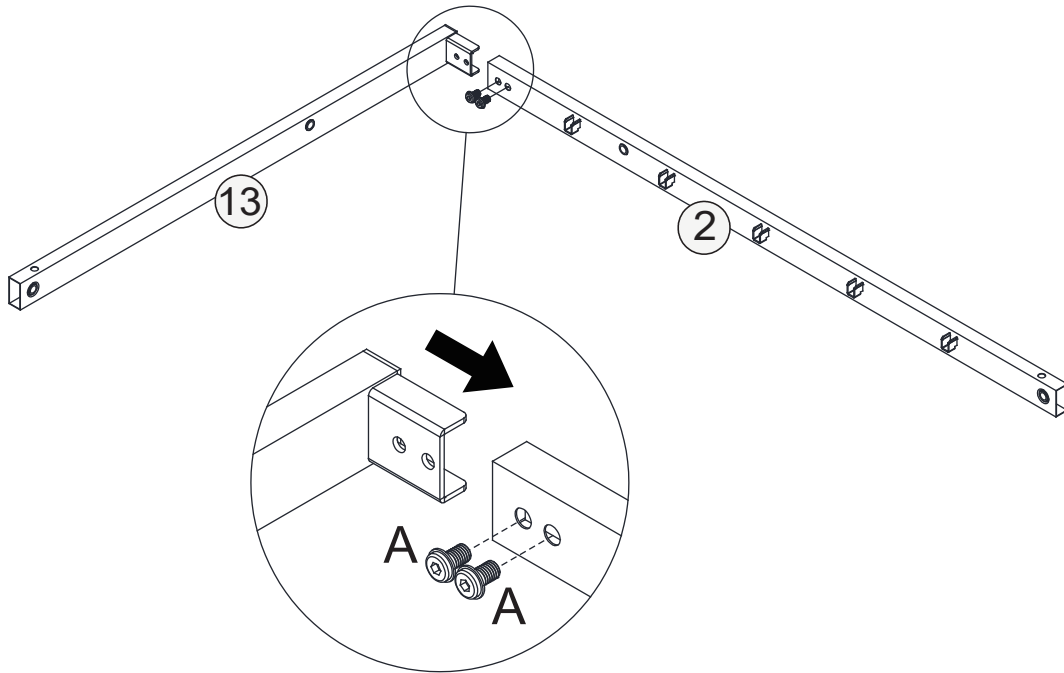
A		x4
---	---	----

STEP 6x2



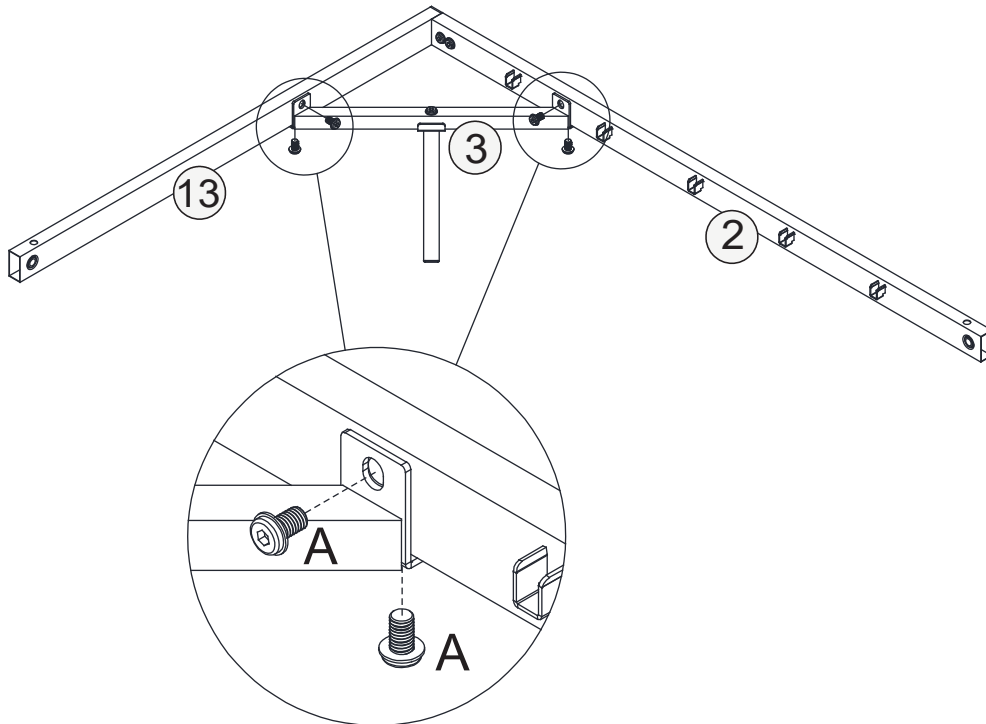
A		x8
---	---	----

STEP 7x2



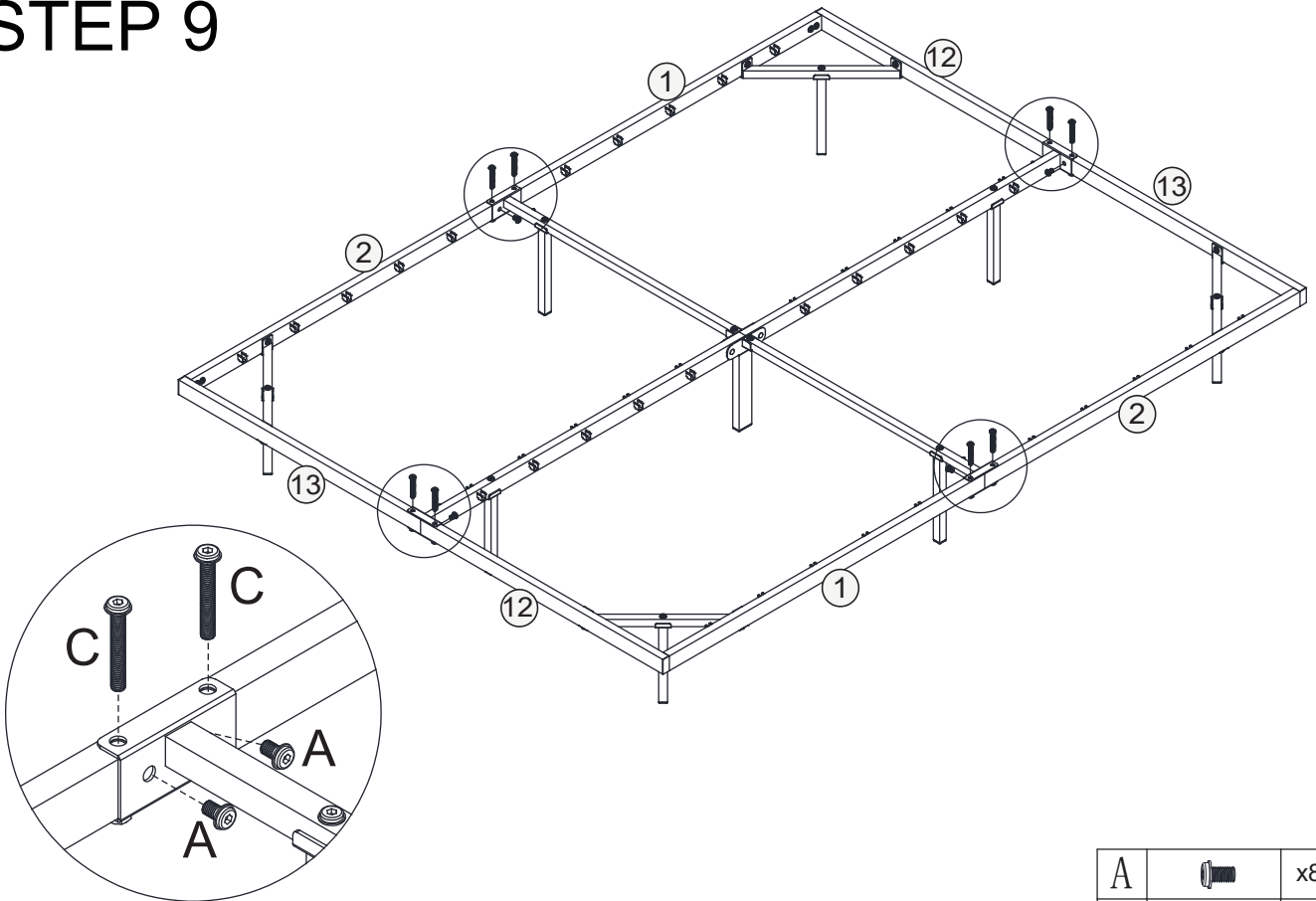
A		x4
---	---	----

STEP 8x2

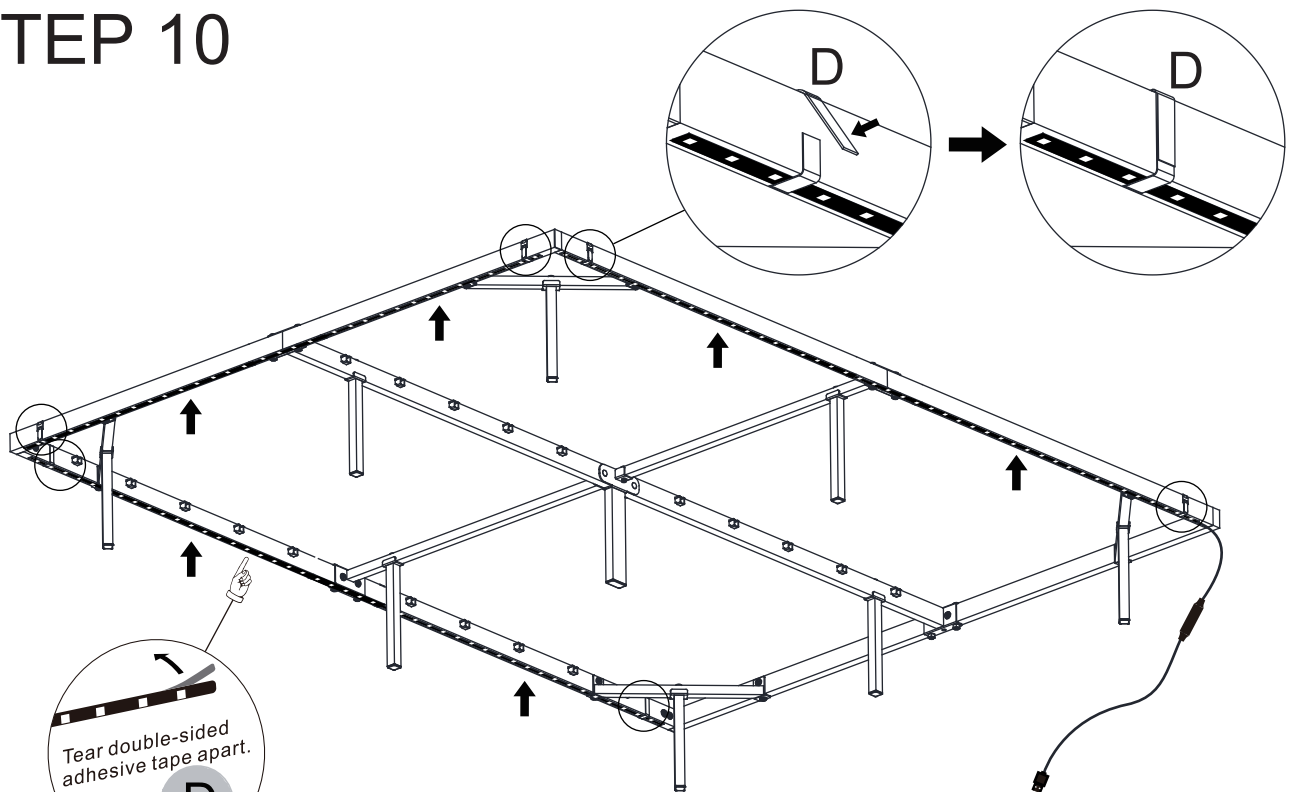


A		x8
---	---	----

STEP 9



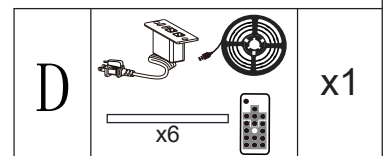
STEP 10



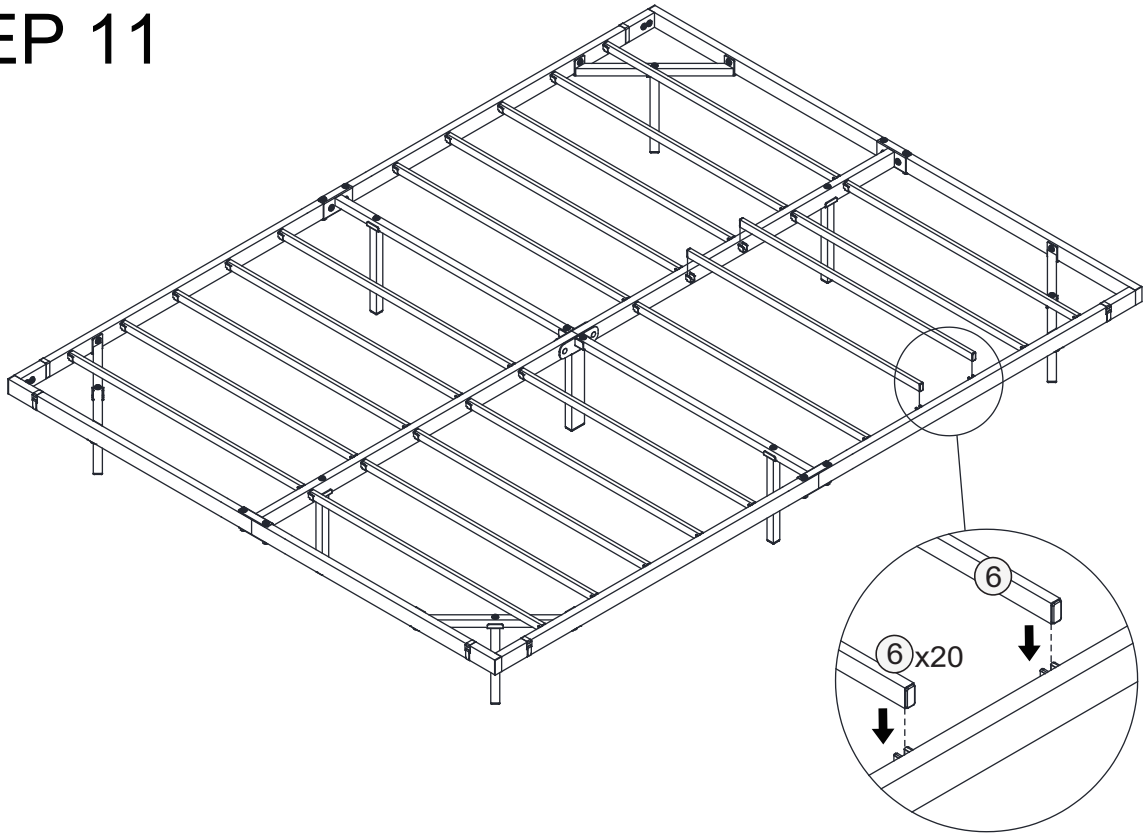
Tear double-sided adhesive tape apart.

D

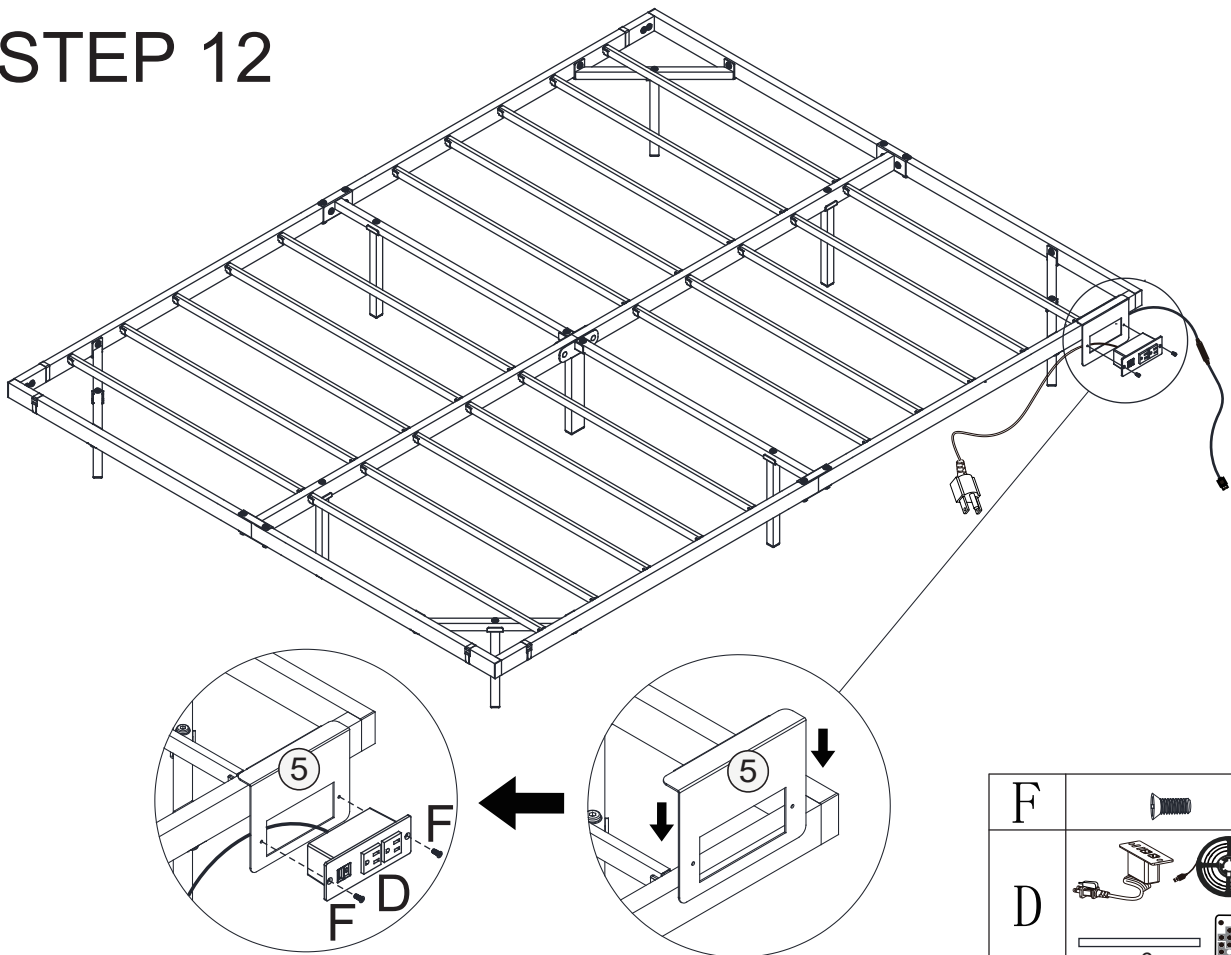
Note :
The LED strip is attached to the place as shown on the graph







STEP 11

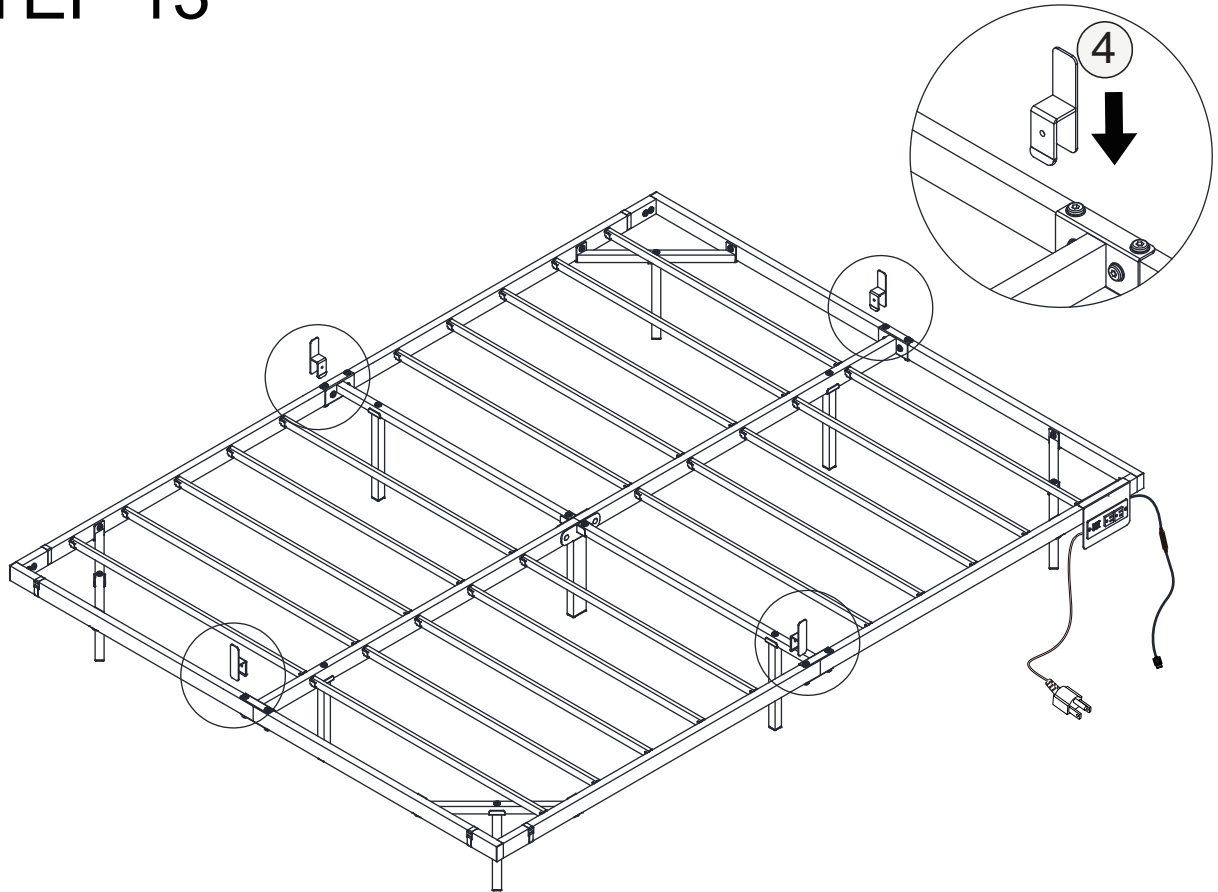


STEP 12



F		x2
D	 	x1
		x6

STEP 13



STEP 14

