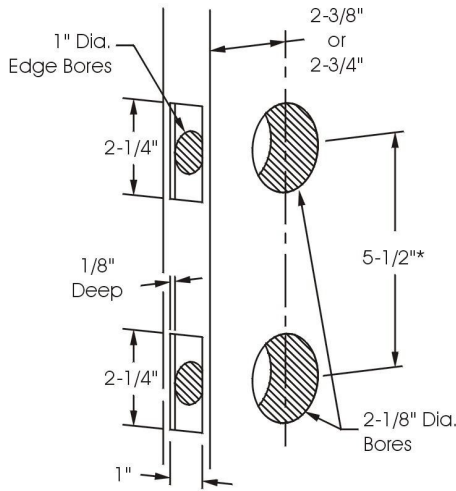
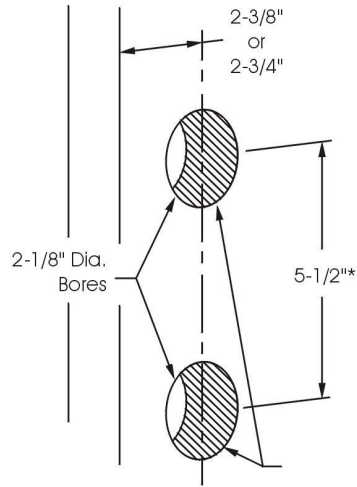


Wasatch Entry Handleset Installation Instructions.

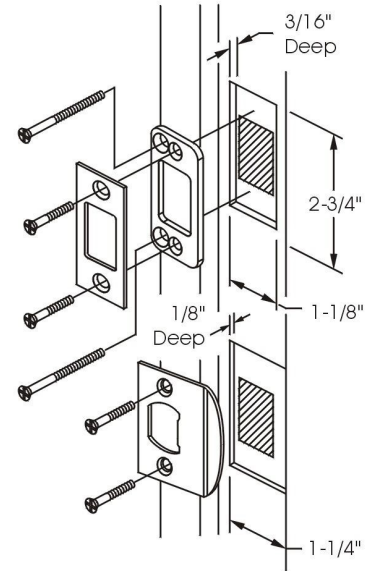
Door Prep - Active Lock



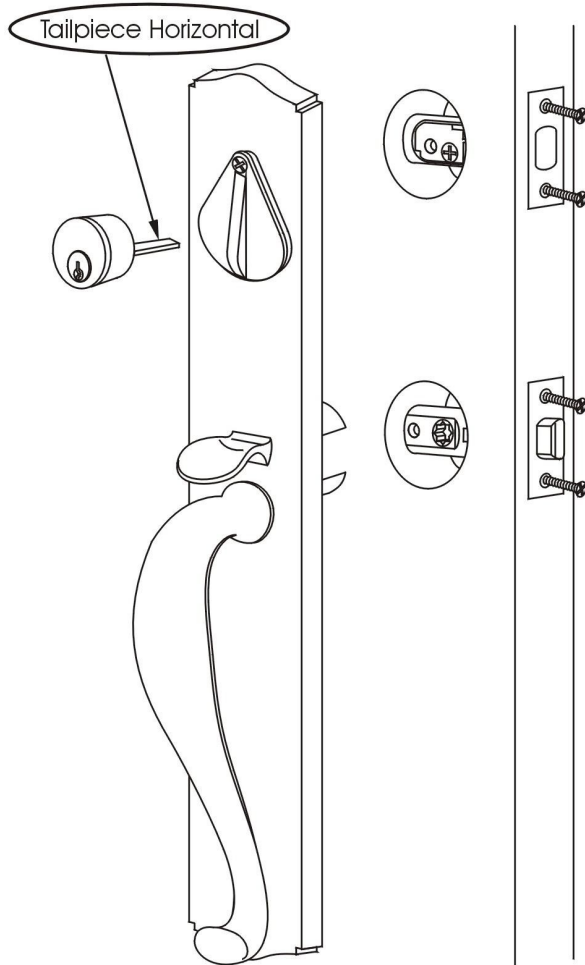
Door Prep - Dummy Lock



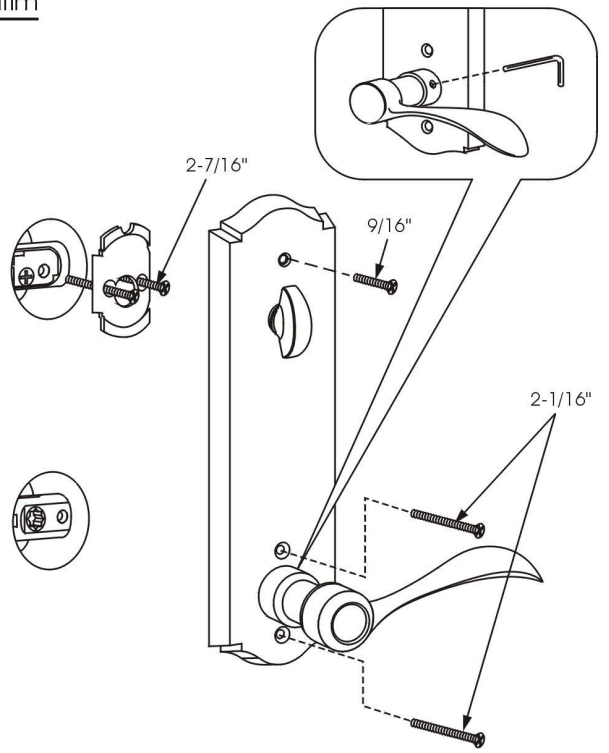
Door Jamb For Active Locks



Outside Trim



Inside Trim



Use Allen Wrench to Tighten Screw

