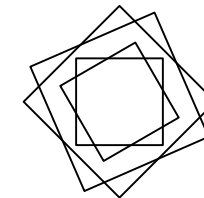
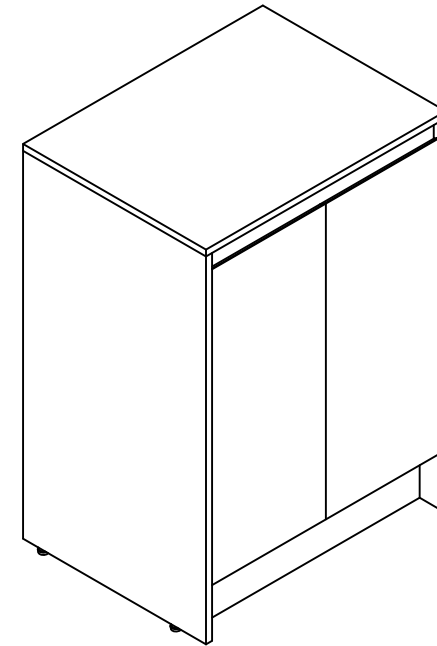


THANKS FOR WATCHING

Your feedback is invaluable to us and we would love to hear about your experience. Please take the time to leave us a review.



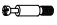







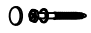


Thank you for shopping with us!

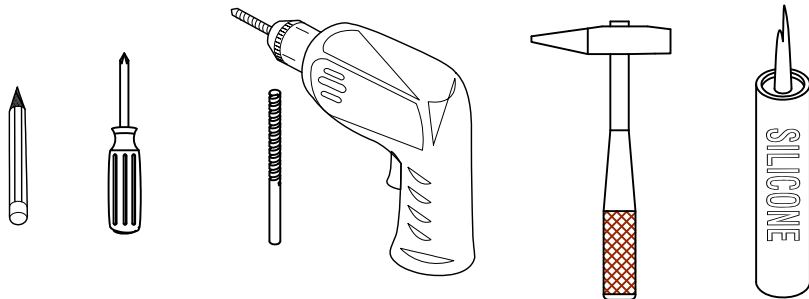
We encourage you to take a few minutes to go through this booklet. It contains important information on installation and care tips to keep your furniture looking as good as new.

Item NO.:BV B120 E24A

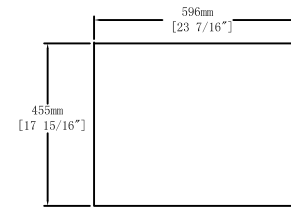
Hardware

NO.	Draw	QTY	NO.	Draw	QTY
A	 Screws Ø4x14mm	24	G	 Hinges(Internal hiding)	4
B	 Two-in-one connector	32	H	 Adjustable feet	4
C	 Two-in-one connector	32	I	 Movable laminate support	4
D	 Wood plug	6	J	 Anti-collision gasket	4
E	 Plastic anchor(Ø10mm)	2	K	 Screwdriver	1
F	 Screws for fix on the wall	2			

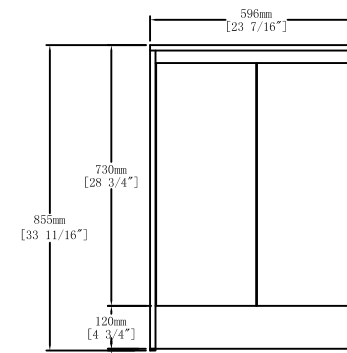
Recommended tools



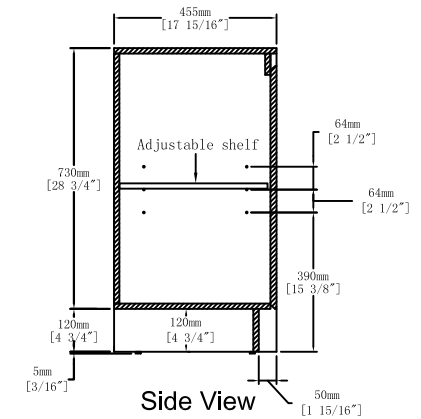
Dimensions



Top View



Front View

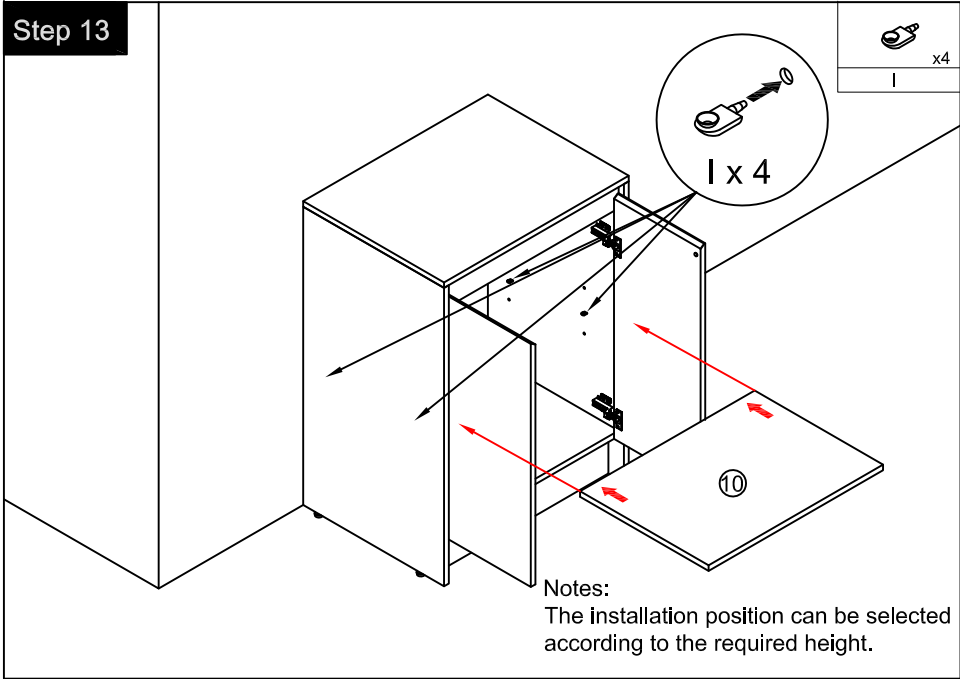


Side View

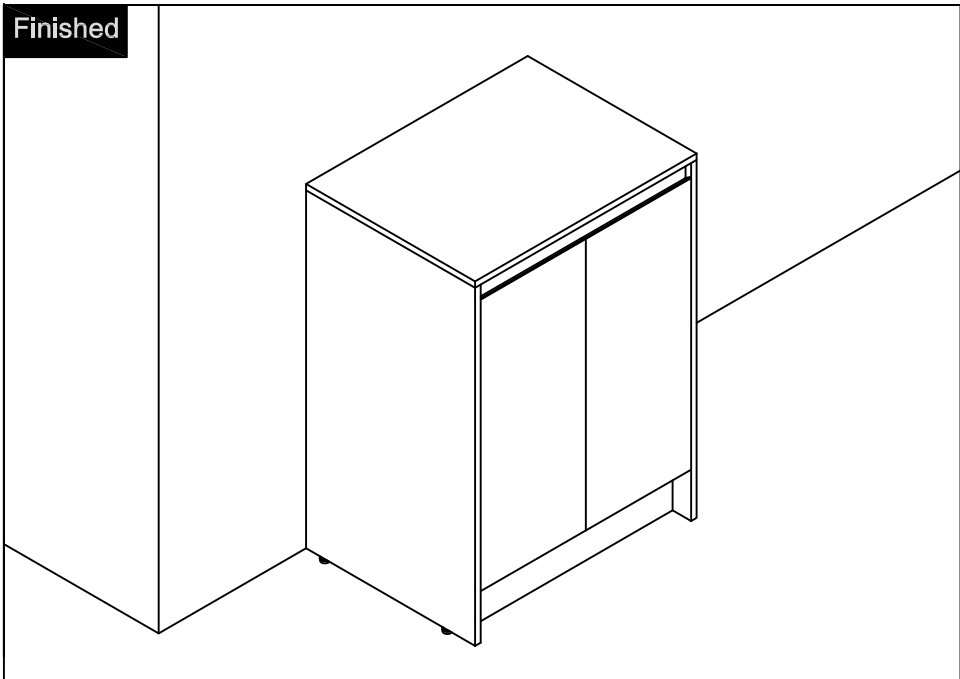
CARE CLEANING AND MAINTENANCE

1. Dust regularly with a soft , dry cloth.
2. Avoid the use of all chemicals household cleaners, abrasives, or cleaners that contain lemon, vinegar, or other acids that may damage the finish.
3. Excessive exposure to sunlight and extreme changes in temperature and moisture can damage wood furniture.
4. Do not place hot appliances, such as curling irons and hot hair dryers directly on the countertop. Wipe spills immediately.

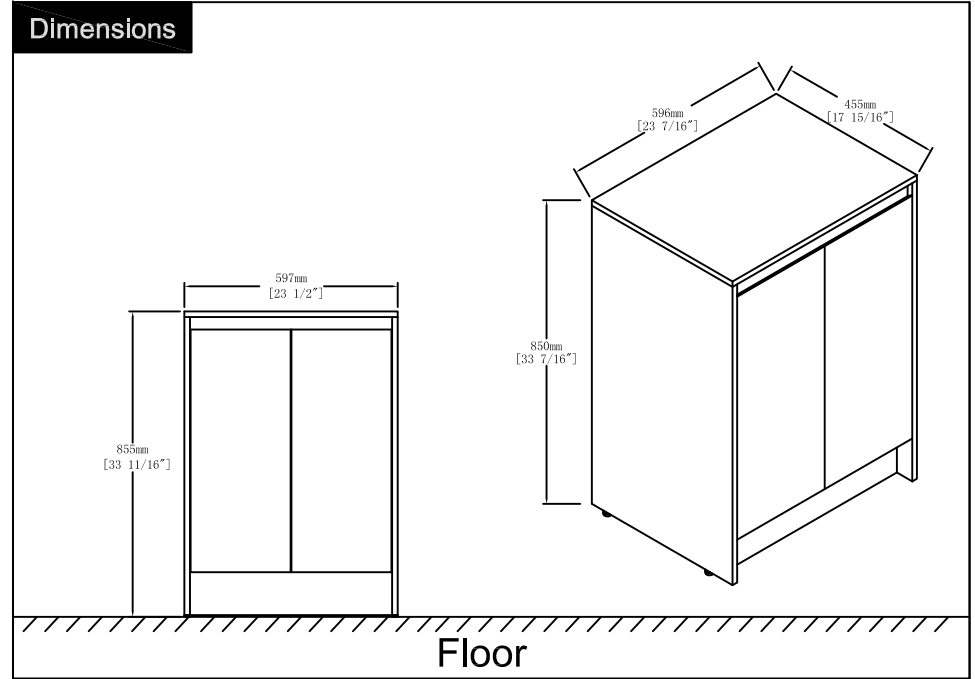
Step 13



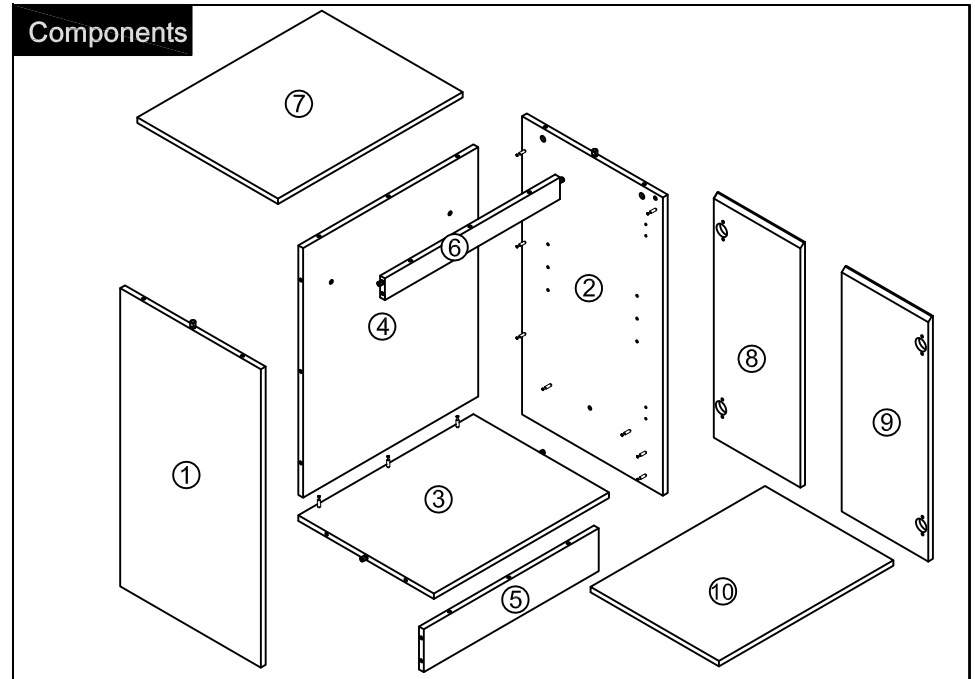
Finished

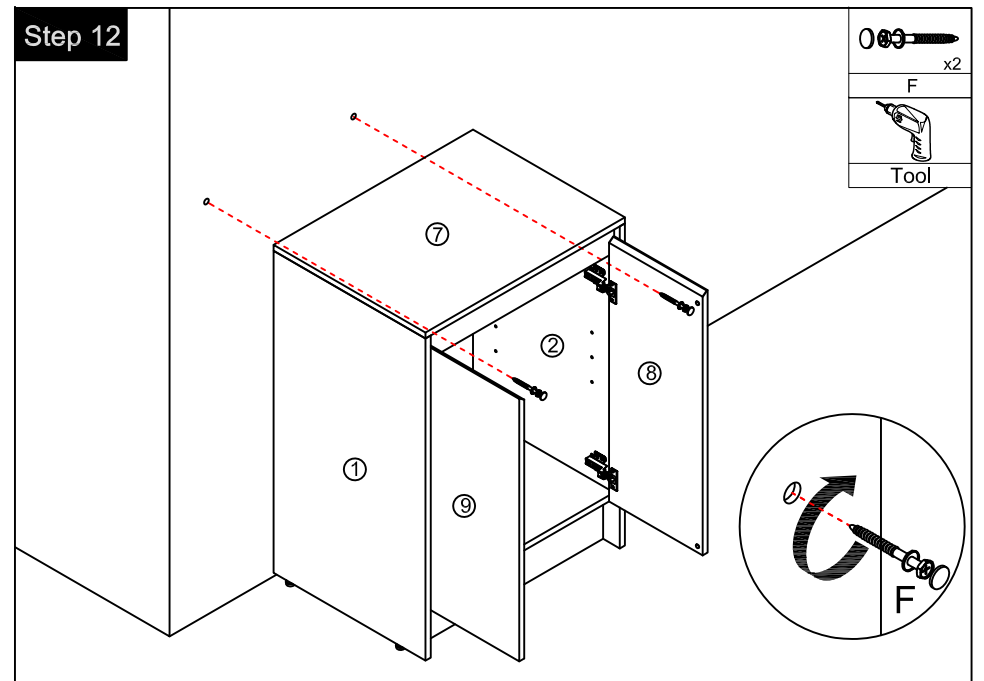
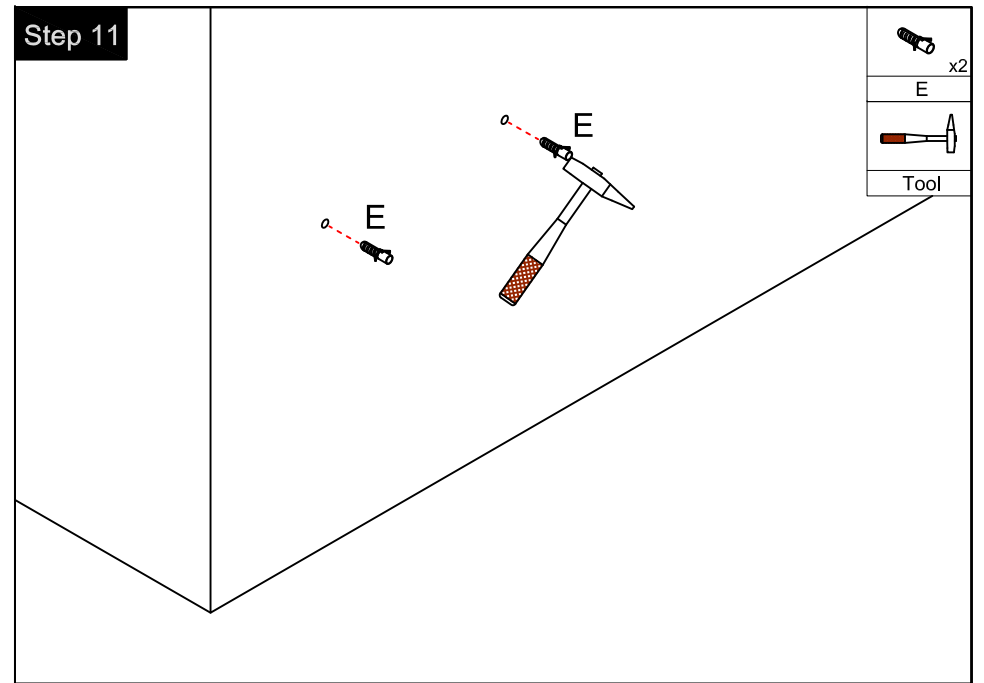
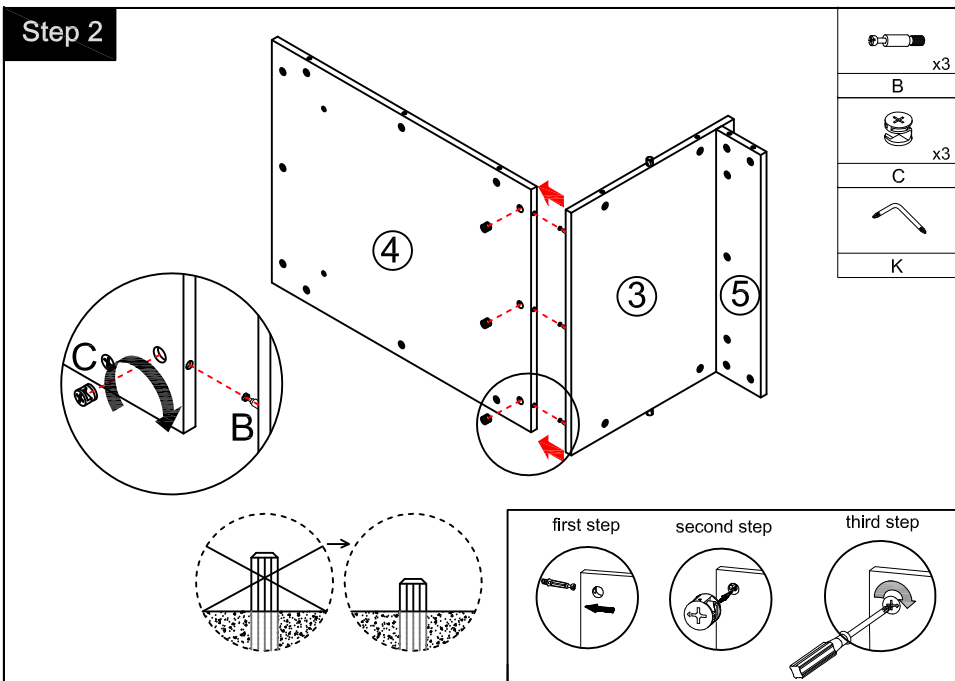
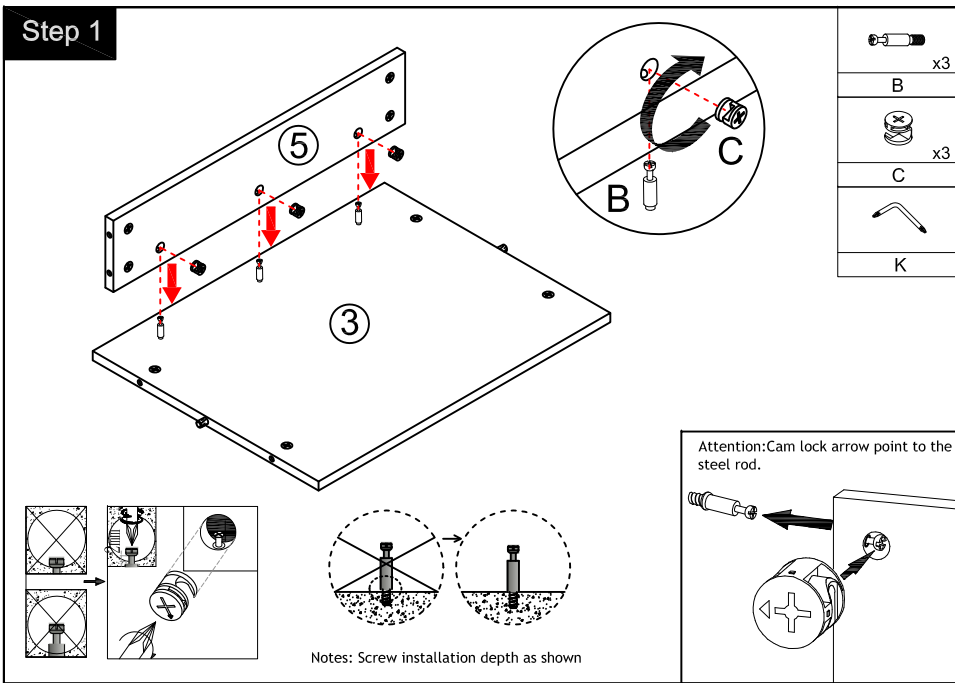


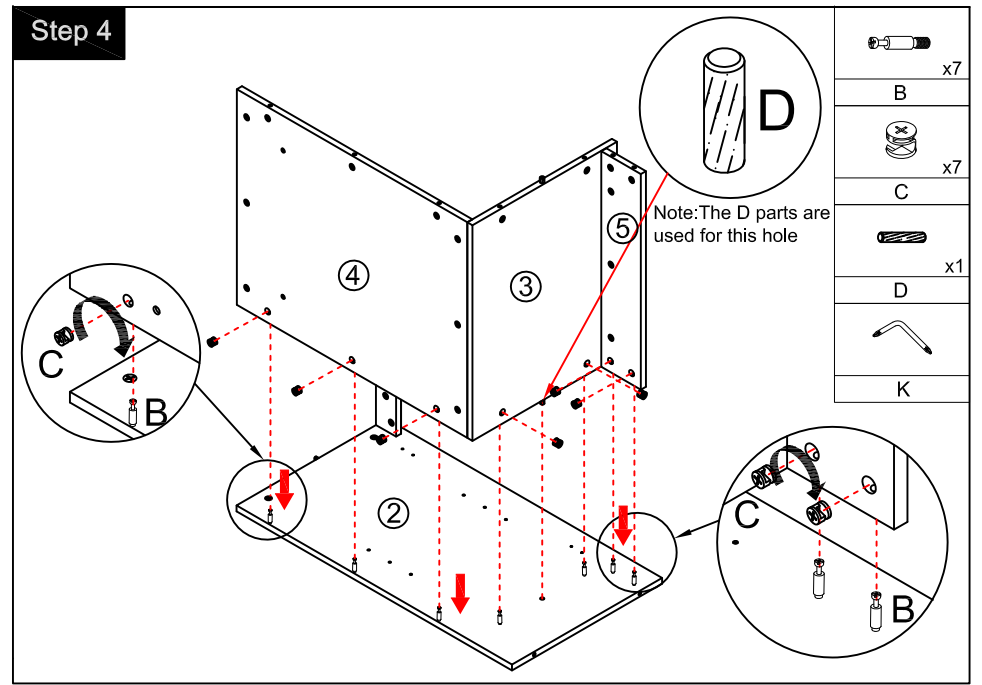
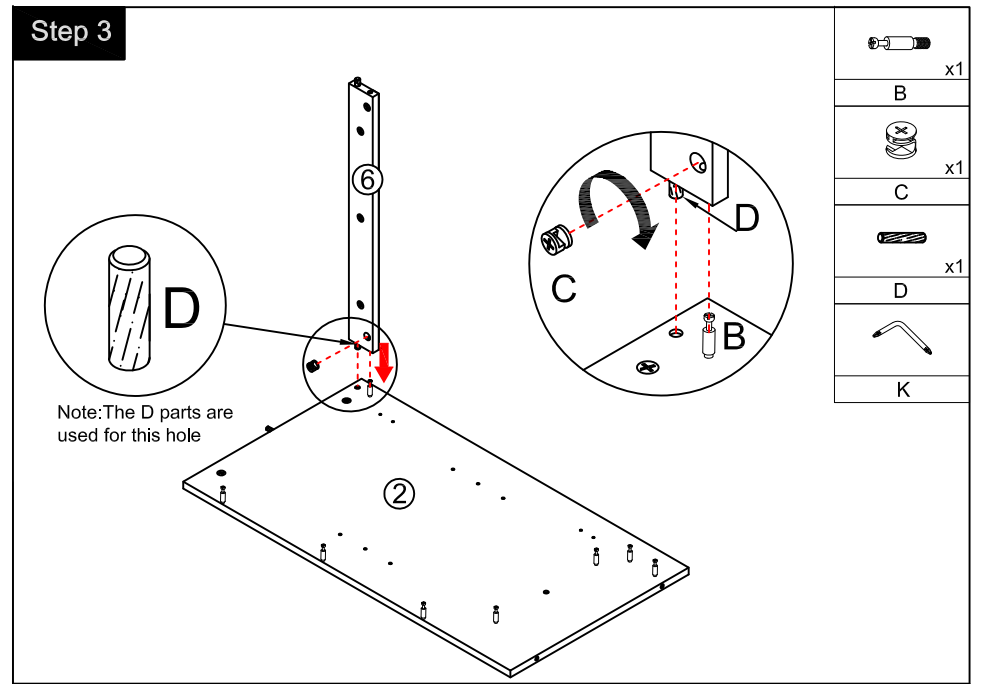
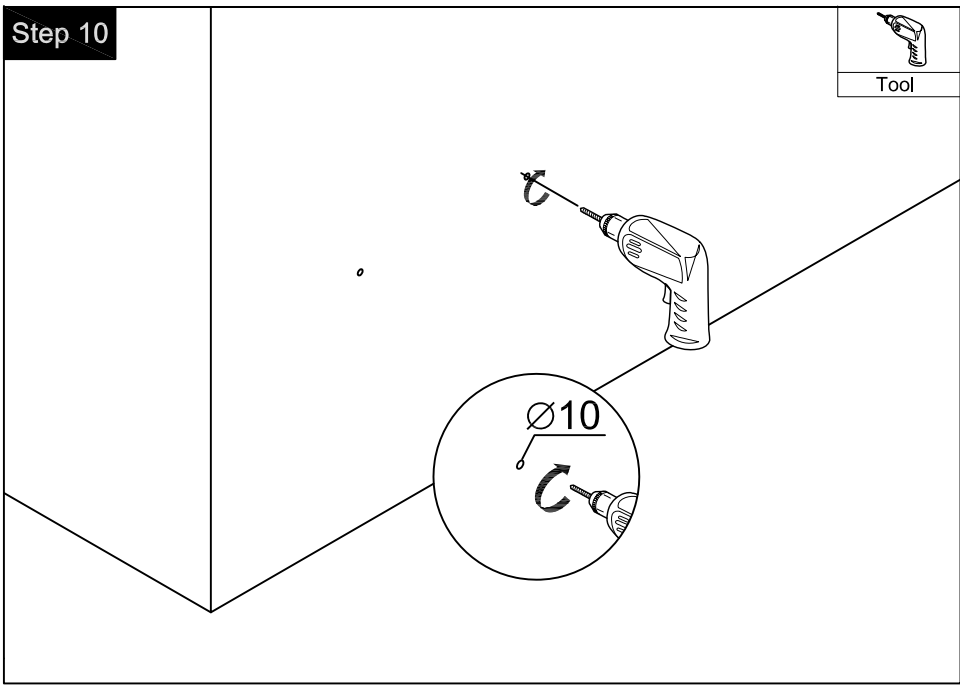
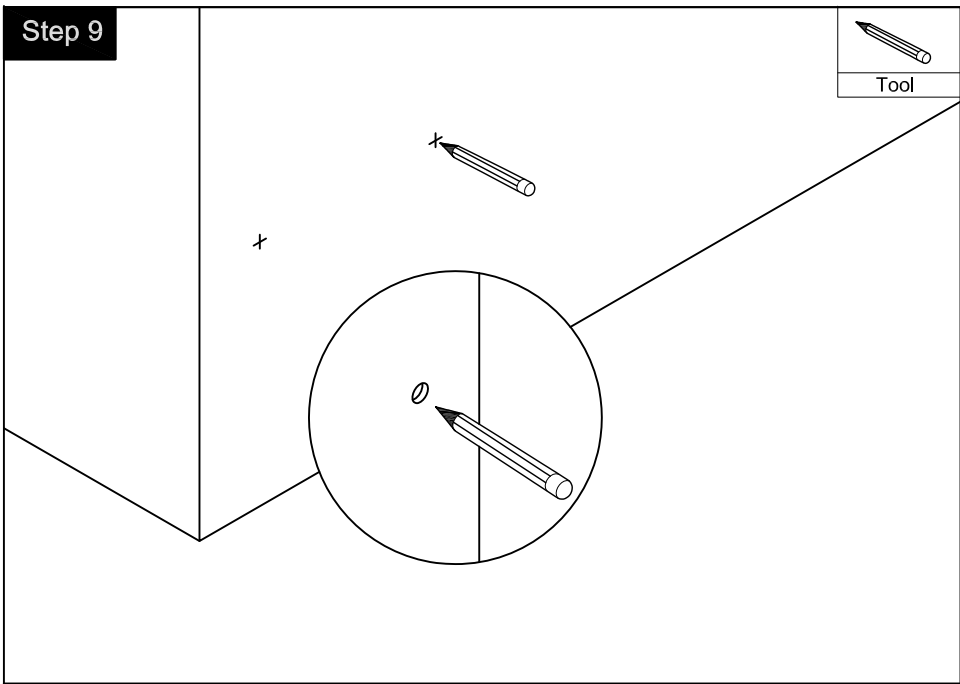
Dimensions



Components







Step 5

	x8
B	
	x8
C	
	x2
D	
K	

Note: The D parts are used for these two holes

Step 6

	x10
B	
	x10
C	
	x2
D	
K	

Note: The D parts are used for these two holes

Step 7

	x4
G	
(Ø4 x 14mm)	
	x24
A	
Tool	

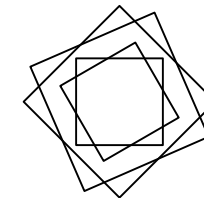
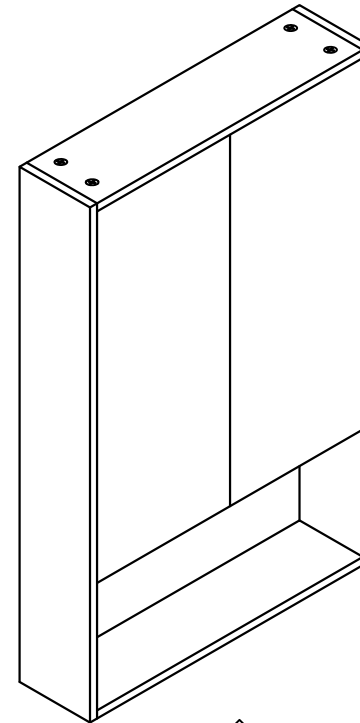
You can adjust the doors by tightening or loosening the screws on the hinge. →

Step 8

	x4
J	
	x4
H	

THANKS FOR WATCHING

Your feedback is invaluable to us and we would love to hear about your experience. Please take the time to leave us a review.



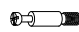


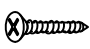








Thank you for shopping with us!

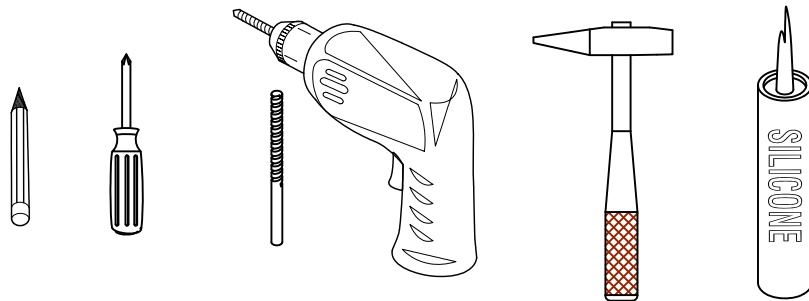
We encourage you to take a few minutes to go through this booklet. It contains important information on installation and care tips to keep your furniture looking as good as new.

Item NO.:BV B120 B24A

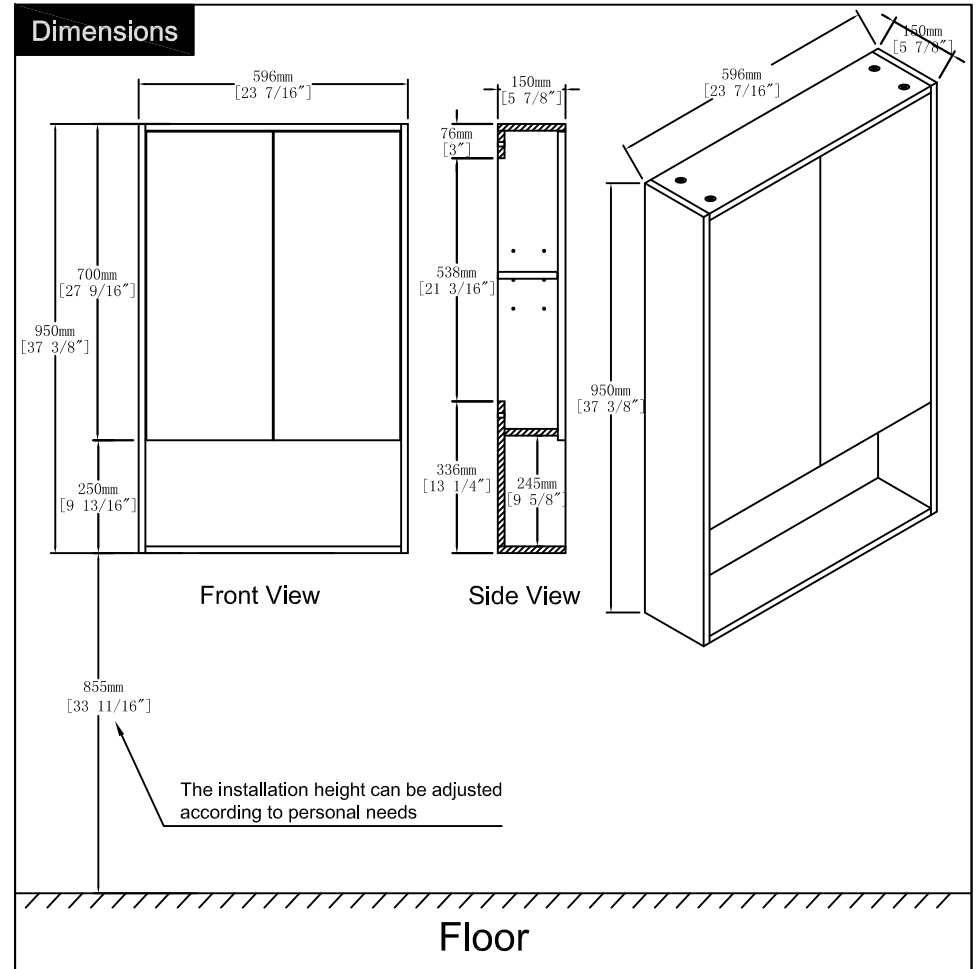
Hardware

NO.	Draw	QTY	NO.	Draw	QTY
A	 Screws Ø4 x 14 mm	24	G	 Screws for fix on the wall	4
B	 Two-in-one connector	24	H	 Wall hanging screw decorative cover	4
C	 Two-in-one connector	24	I	 Screws Ø4 x 25 mm	3
D	 Wood plug	2	J	 Anti-collision gasket	2
E	 Plastic anchor(Ø10mm)	4	K	 Movable laminate support	4
F	 Hinges (Internal hiding)	4	L	 Screwdriver	1

Recommended tools



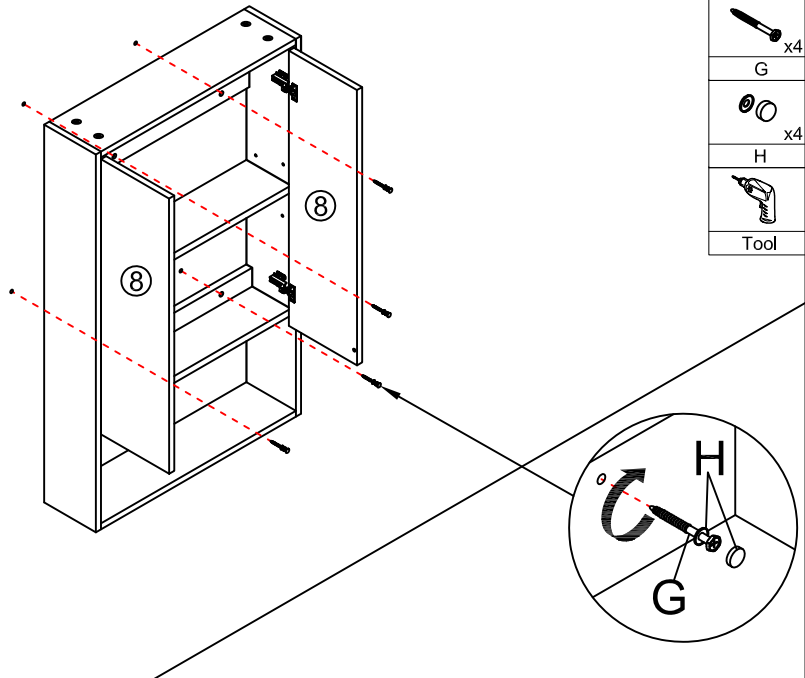
Dimensions



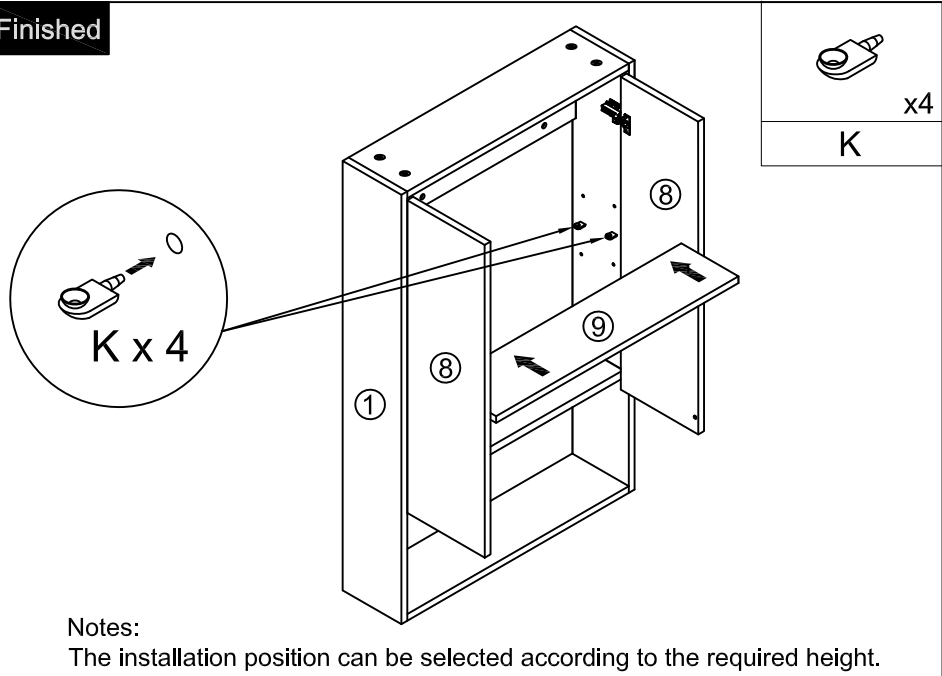
CARE CLEANING AND MAINTENANCE

1. Dust regularly with a soft , dry cloth.
2. Avoid the use of all chemicals household cleaners, abrasives, or cleaners that contain lemon, vinegar, or other acids that may damage the finish.
3. Excessive exposure to sunlight and extreme changes in temperature and moisture can damage wood furniture.
4. Do not place hot appliances, such as curling irons and hot hair dryers directly on the countertop. Wipe spills immediately.

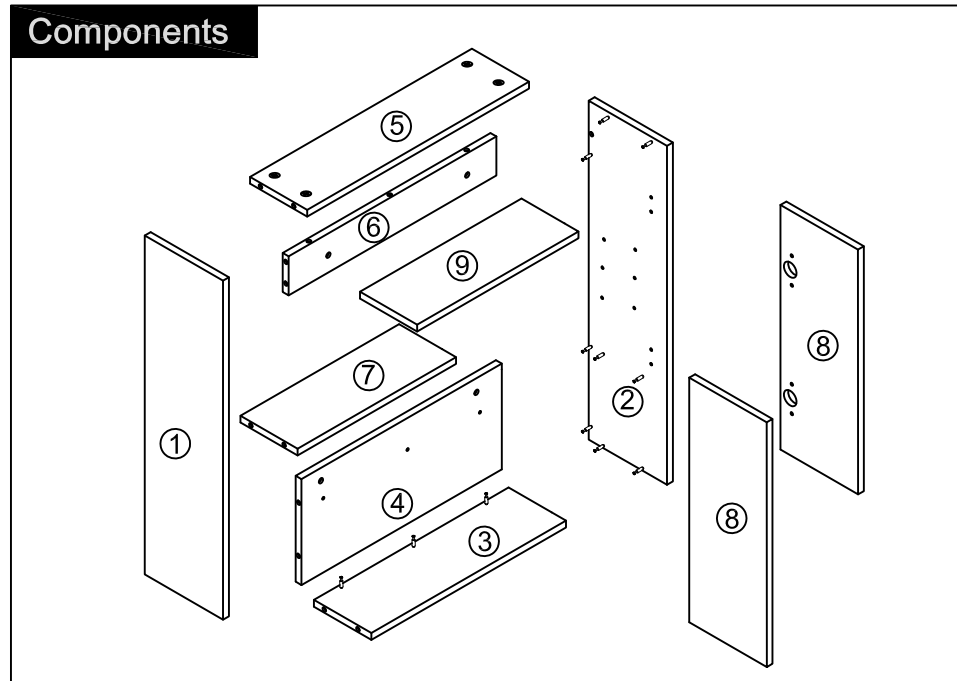
Step 7



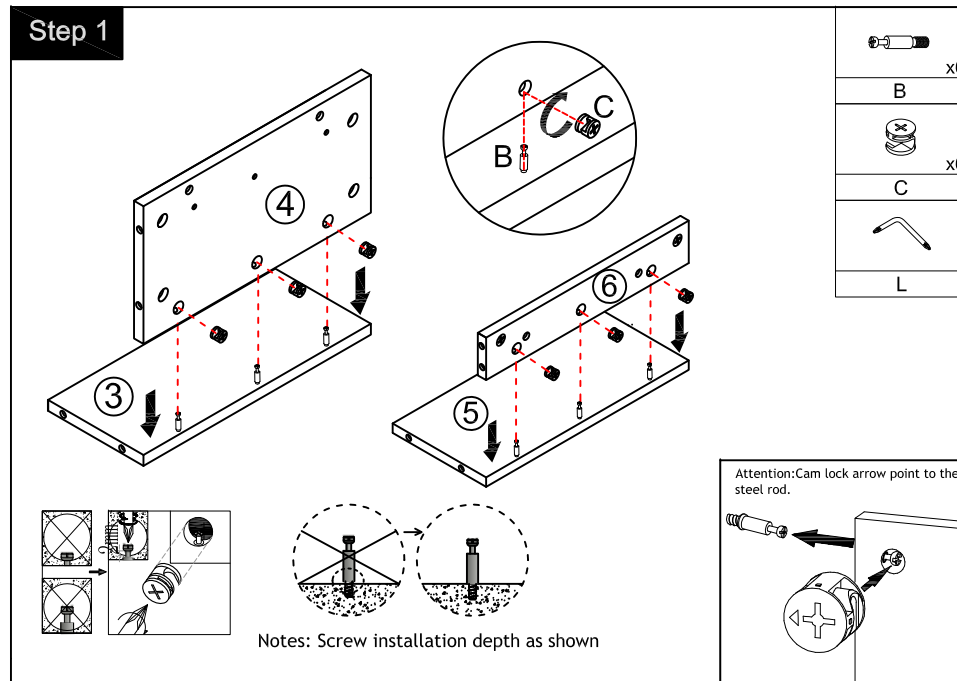
Finished



Components



Step 1



Step 2

Note: The D parts are used for these this hole

	x9
B	
	x9
C	
	x1
D	
L	

Step 4

You can adjust the doors by tightening or loosening the screws on the hinge.

$\text{Ø}4 \times 14\text{mm}$	
	x24
A	
	x4
F	
	x2
J	
Tool	

Step 3

Note: The D parts are used for these this hole

	x9
B	
	x9
C	
	x1
D	
L	
$(\text{Ø}4 \times 25\text{mm})$	
	x3
I	
Tool	

Step 5

$\text{Ø}10$

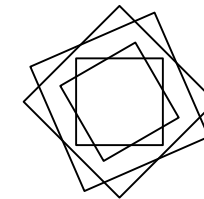
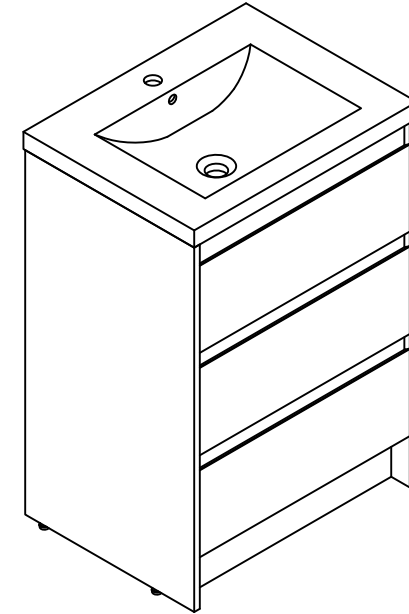
	x4
E	
Tool	

Step 6

	x4
E	
Tool	

THANKS FOR WATCHING

Your feedback is invaluable to us and we would love to hear about your experience. Please take the time to leave us a review.


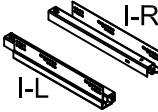
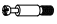














Thank you for shopping with us!

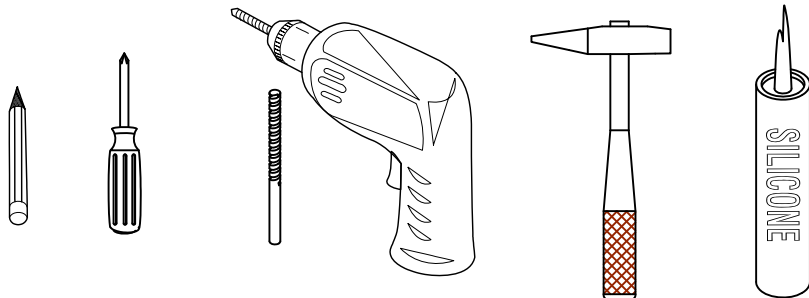
We encourage you to take a few minutes to go through this booklet. It contains important information on installation and care tips to keep your furniture looking as good as new.

Item NO.:BV B120 J24

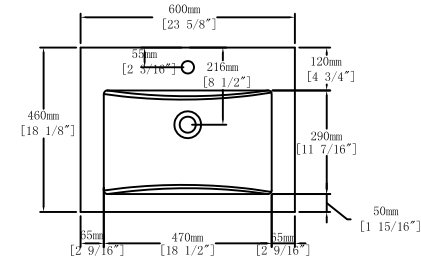
Hardware

NO.	Draw	QTY	NO.	Draw	QTY
A	 Screws Ø4x14mm	58	I	 Track	3
B	 Two-in-one connector	56	J	 U-Shaped plastic	2
C	 Two-in-one connector	56	K	 Screws Ø4x20mm	12
D	 Wood plug	4	L	 Screws Ø4x10mm	14
E	 Plastic anchor(Ø10mm)	2	M	 Adjustable feet	4
F	 Screws for fix on the wall	2	N	 Anti-collision gasket	12
G	 Bracket (53x70x44mm)	2	O	 Screwdriver	1
H	 Bracket (19x19x35mm)	2			

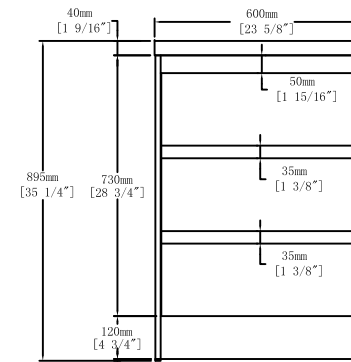
Recommended tools



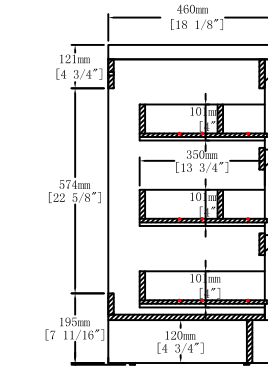
Dimensions



Top View



Front View

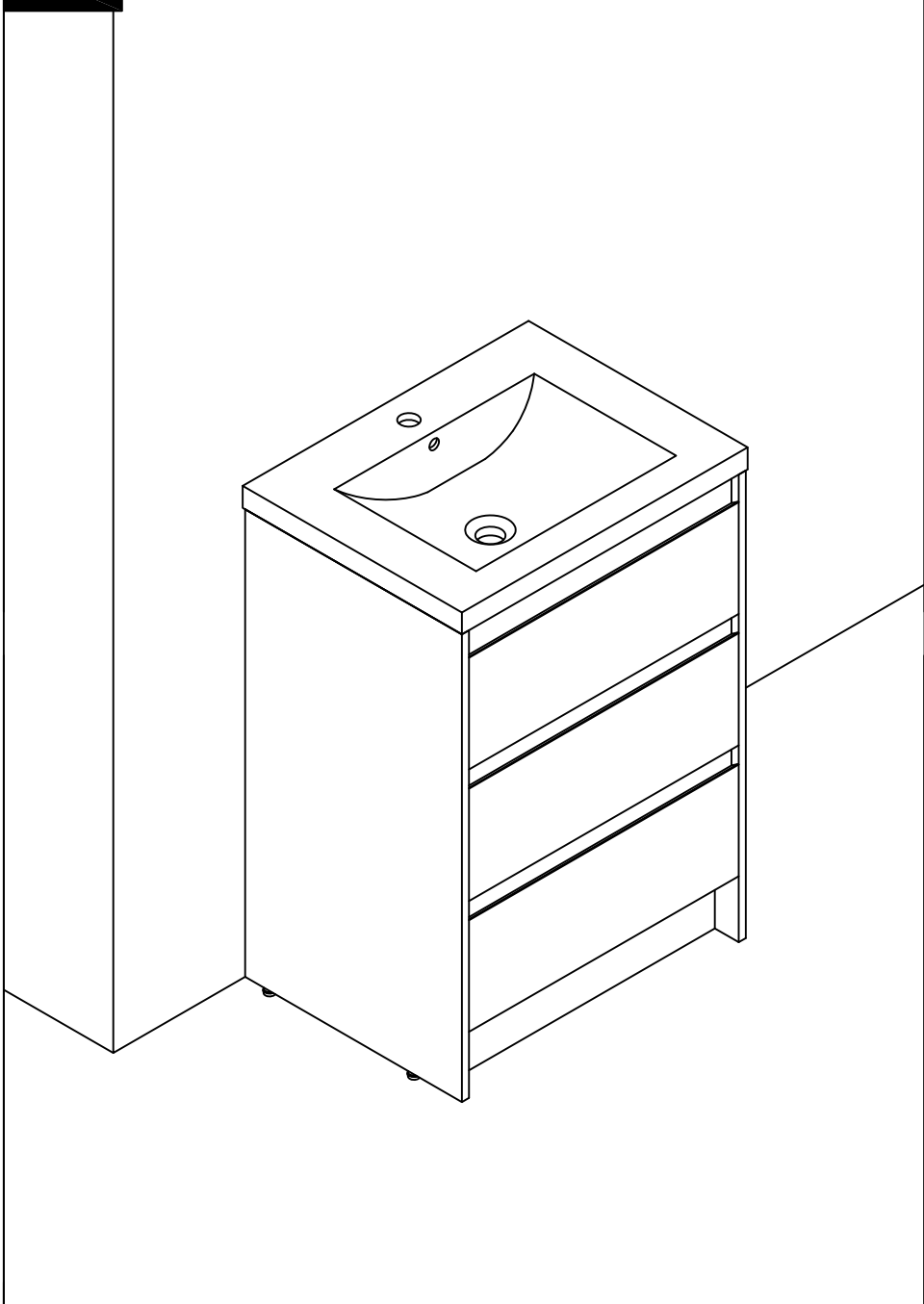


Side View

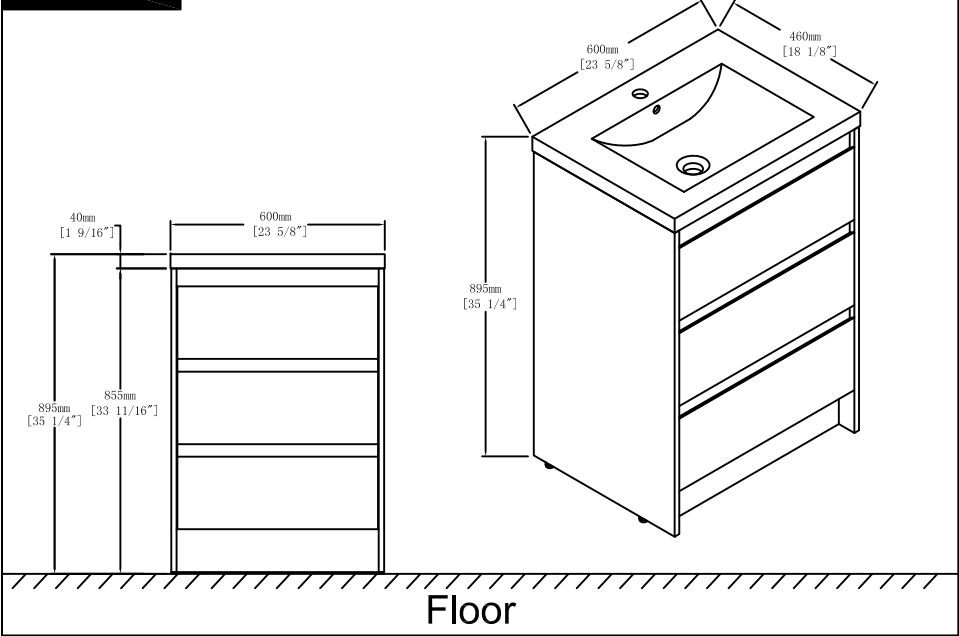
CARE CLEANING AND MAINTENANCE

1. Dust regularly with a soft , dry cloth.
2. Avoid the use of all chemicals household cleaners, abrasives, or cleaners that contain lemon, vinegar, or other acids that may damage the finish.
3. Excessive exposure to sunlight and extreme changes in temperature and moisture can damage wood furniture.
4. The sink is fragile, please pay attention to maintaining its appearance.
5. Do not place hot appliances, such as curling irons and hot hair dryers directly on the countertop. Wipe spills immediately.

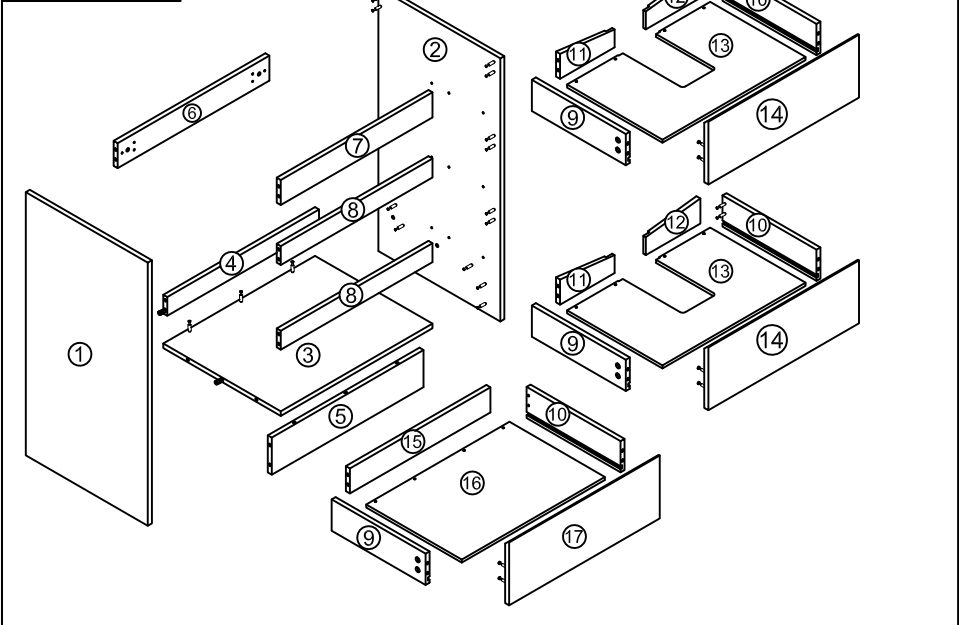
Finished



Dimensions

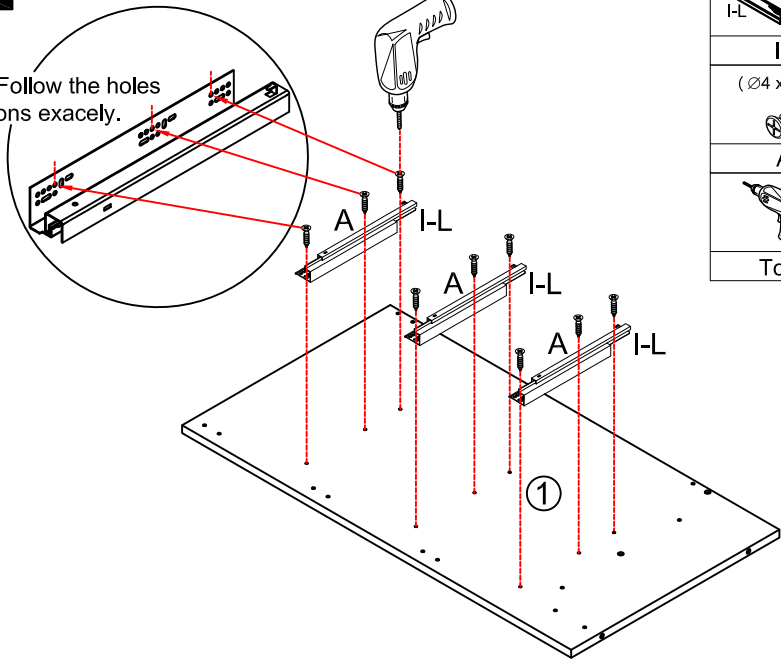




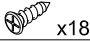

Components

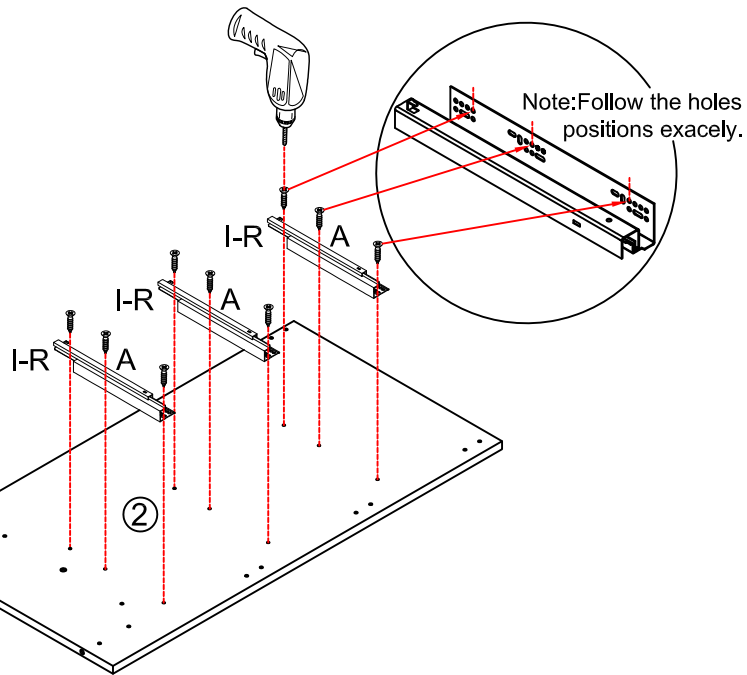


Step 1

Note: Follow the holes positions exactly.

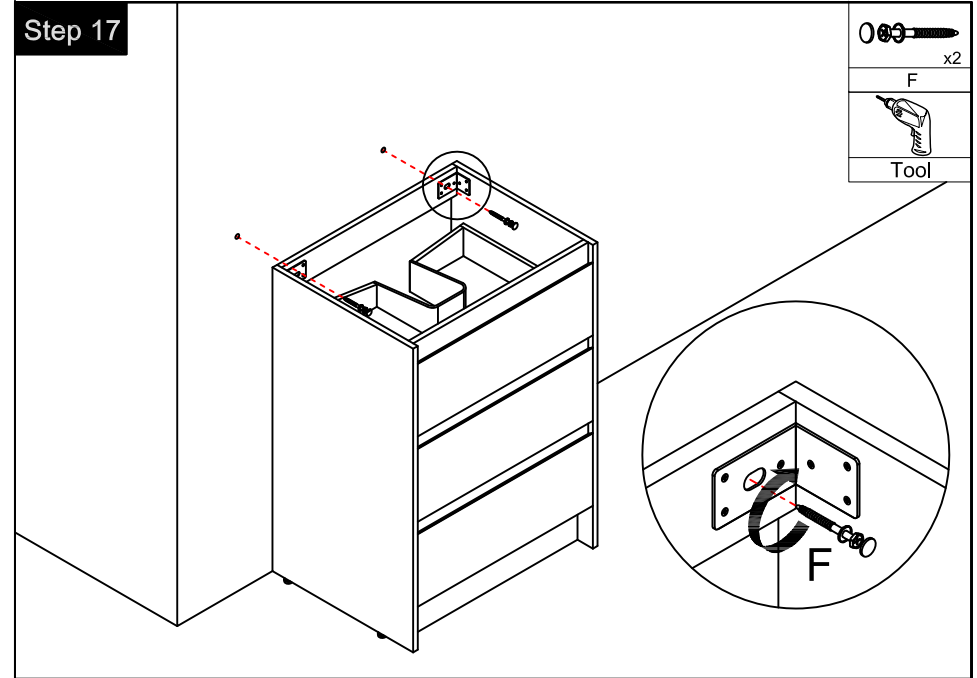


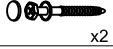

-  I-L x3
-  I
($\varnothing 4 \times 14\text{mm}$)
-  A x18
-  Tool



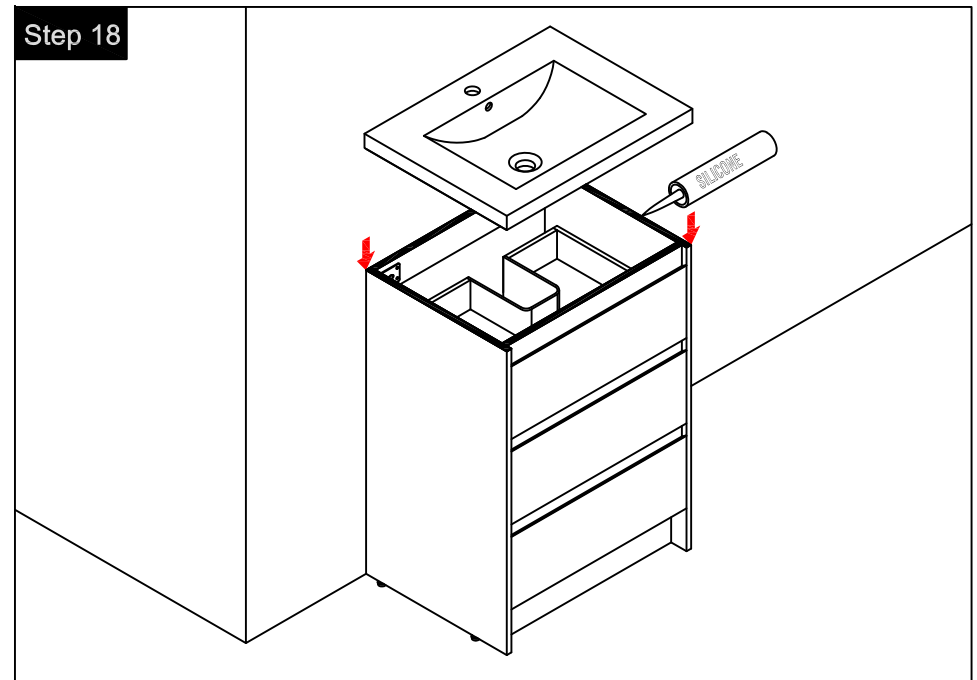
Note: Follow the holes positions exactly.

Step 17





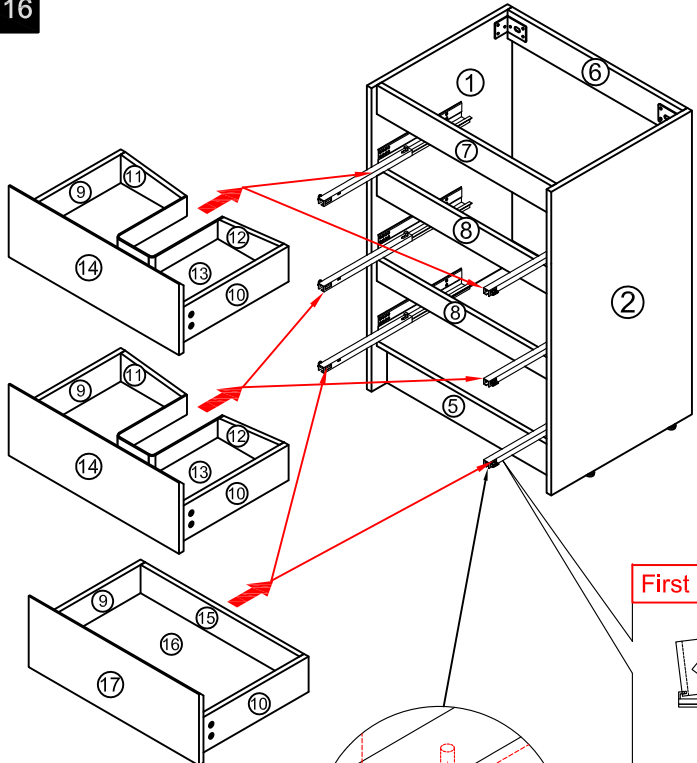
-  F x2
-  Tool

Step 18

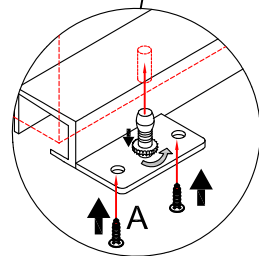
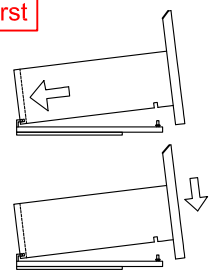


Step 16

- ($\varnothing 4 \times 14\text{mm}$)
-  x12
- A
- 
- Tool

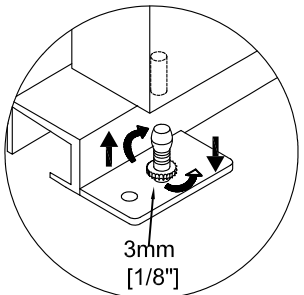
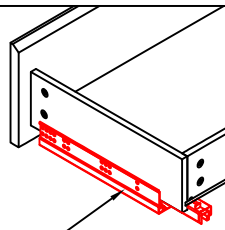


First



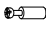


Third step: The bottom of the rail is fixed with screw A.

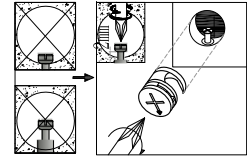
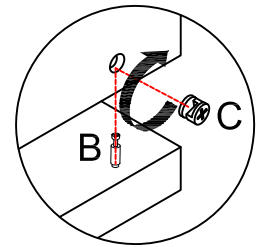
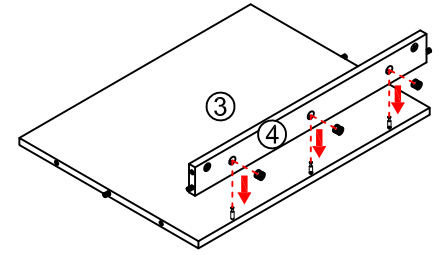
Second step: Tuck the rear holes.



Note: The rails adjust their height 3mm.

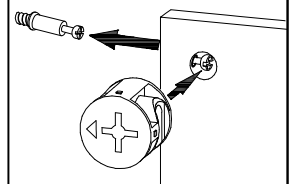
Step 2

-  x3
- B
-  x3
- C
- 
- O

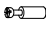




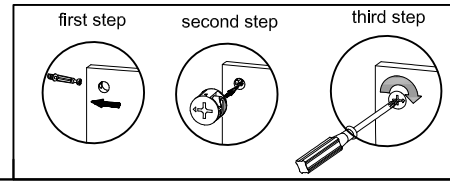
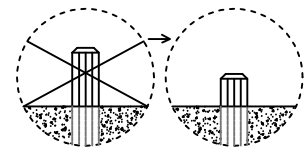
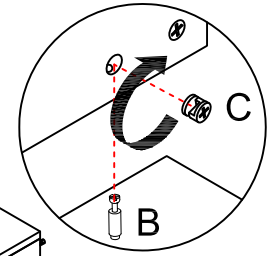
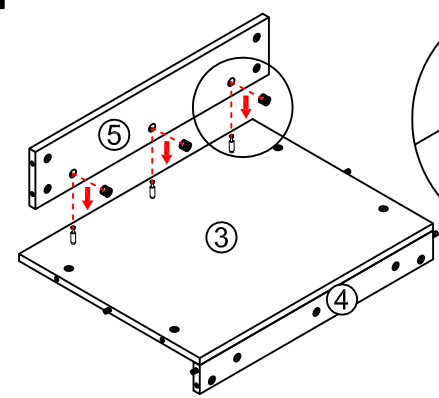
Notes: Screw installation depth as shown

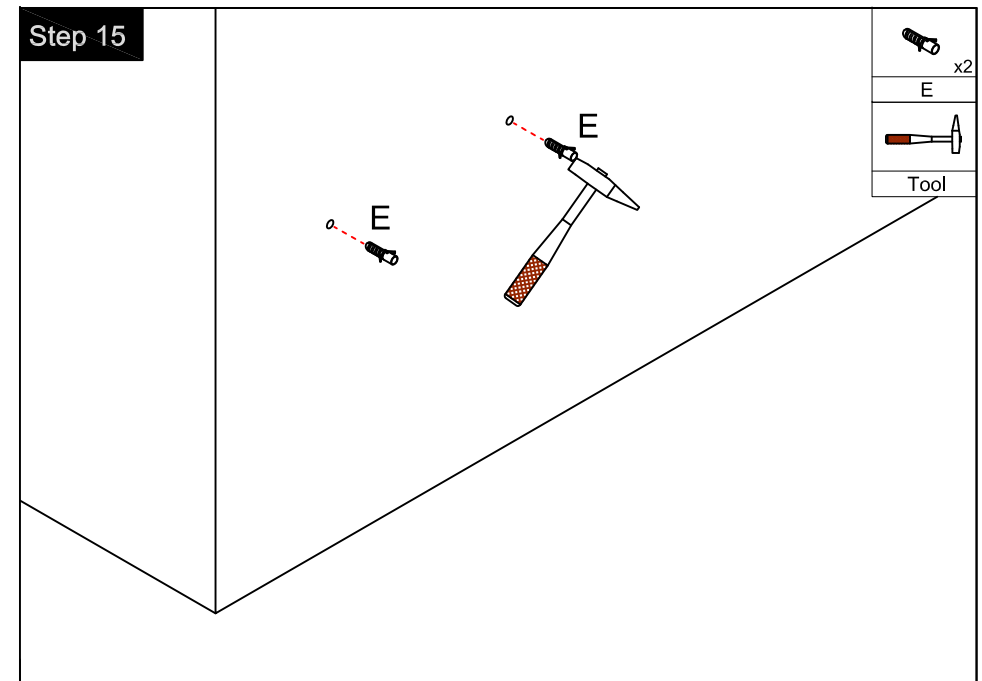
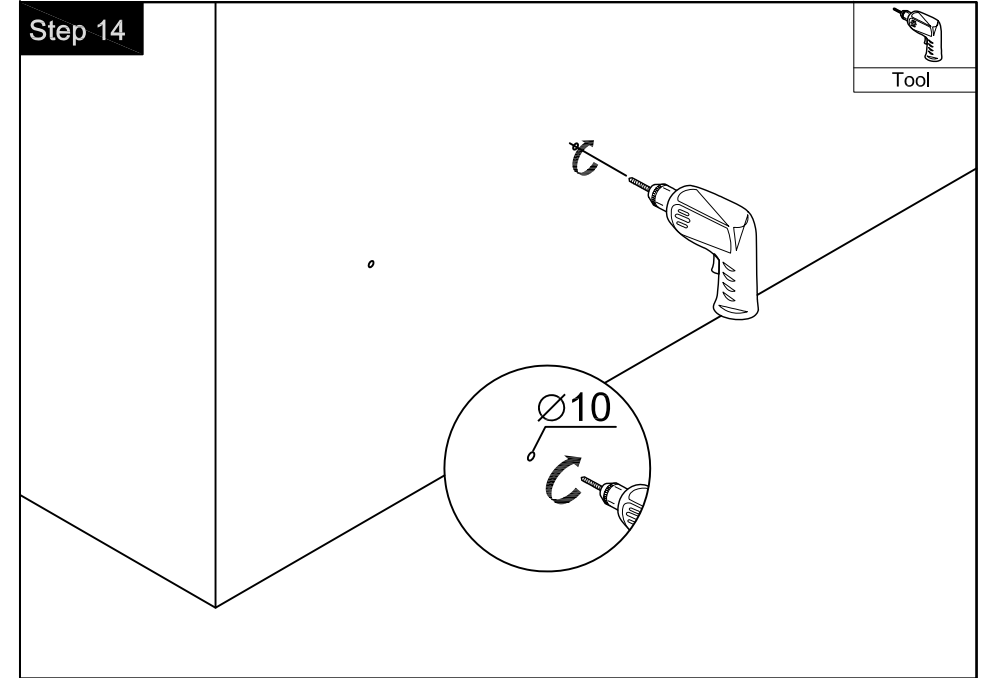
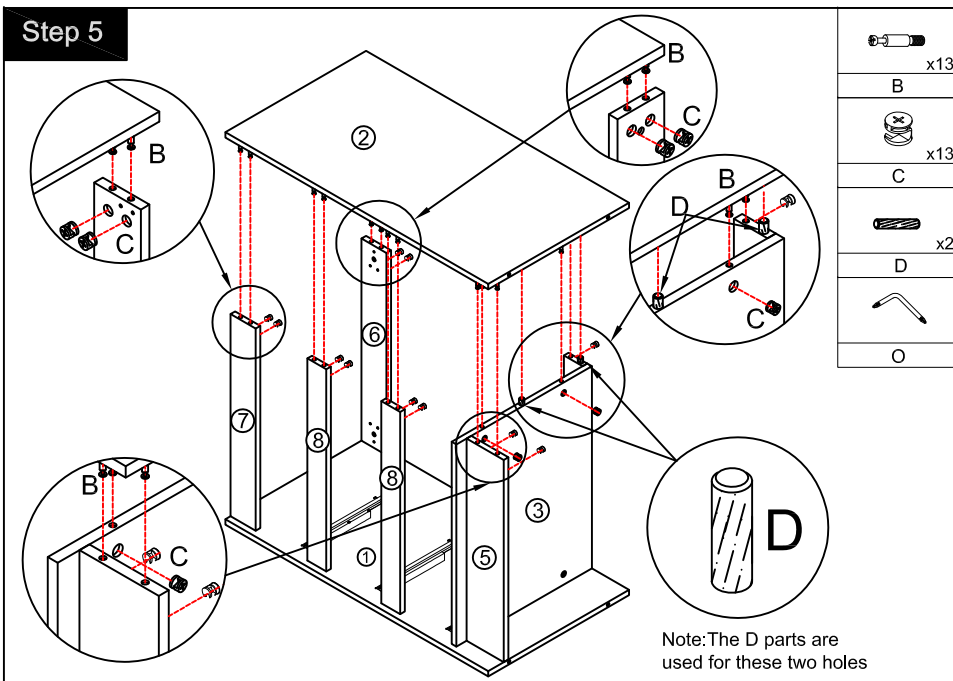
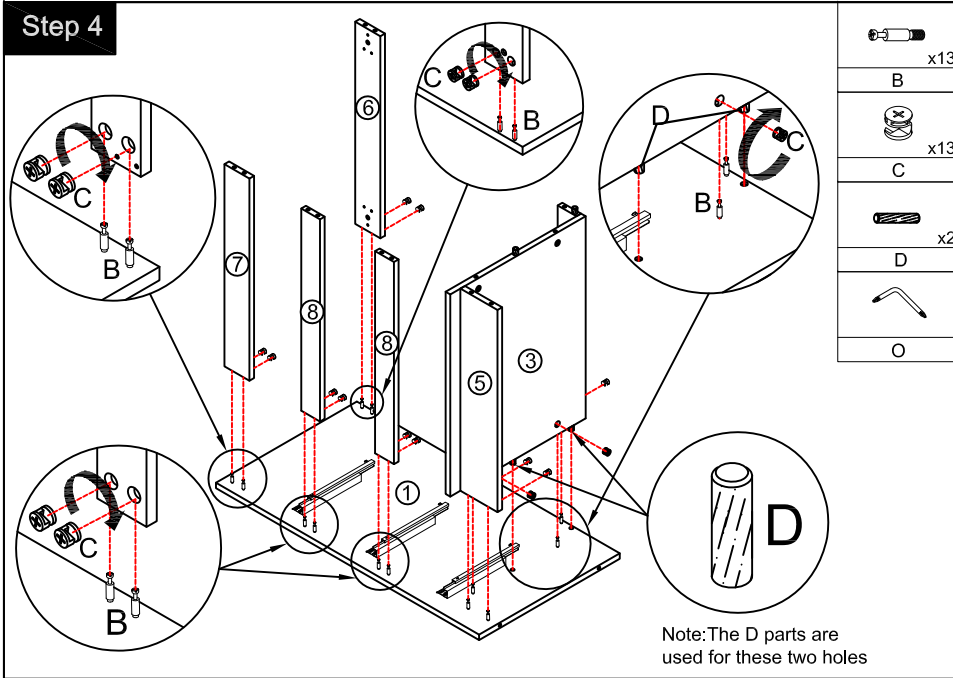
Attention: Cam lock arrow point to the steel rod.



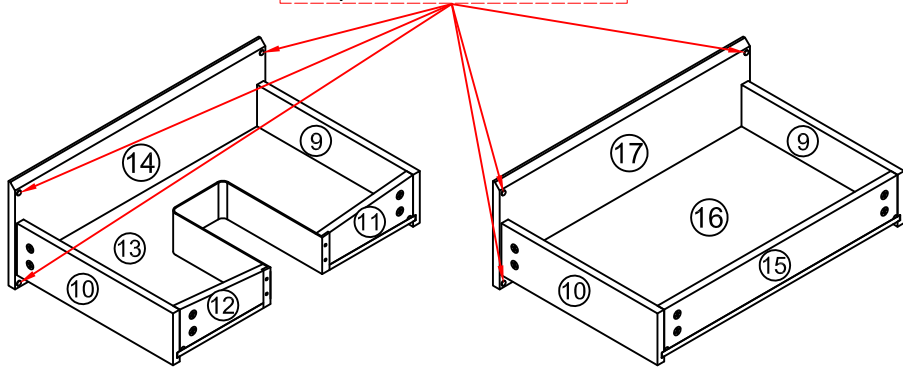
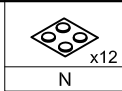
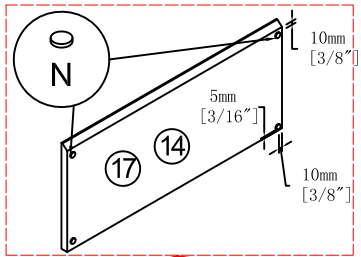
Step 3

-  x3
- B
-  x3
- C
- 
- O

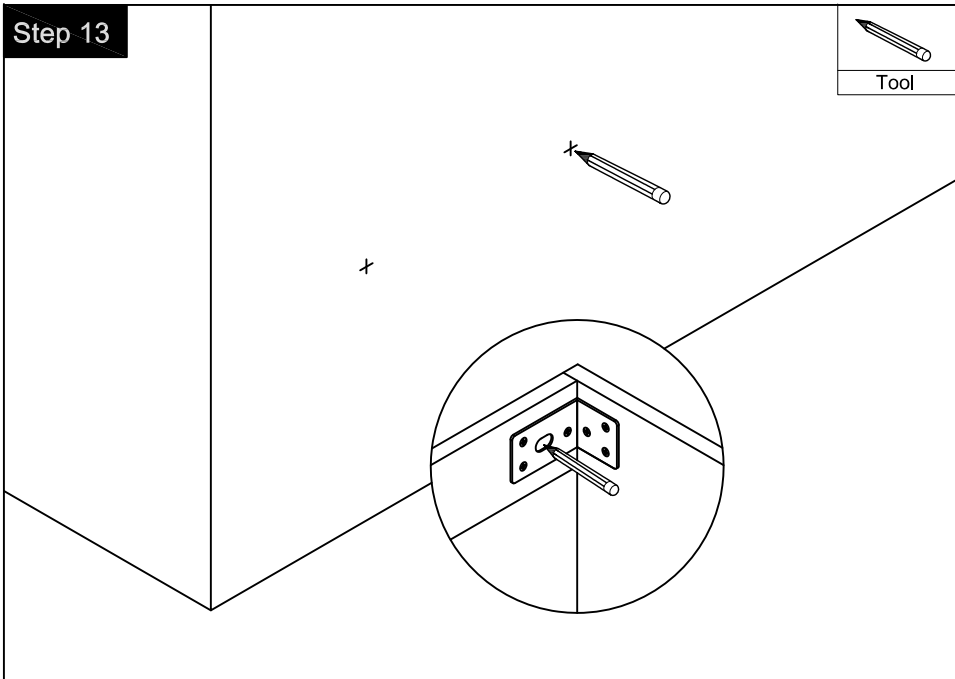
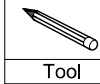




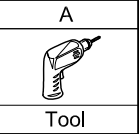
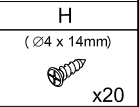
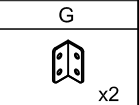
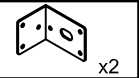
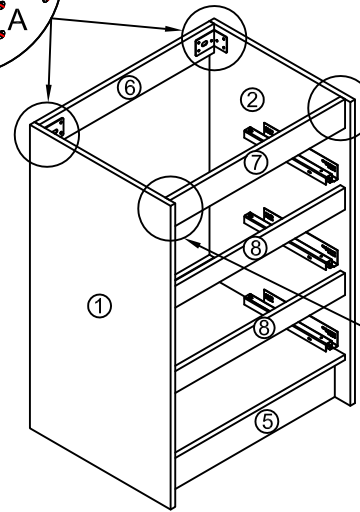
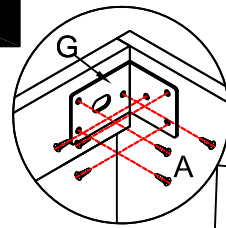
Step 12



Step 13



Step 6



Step 7

