



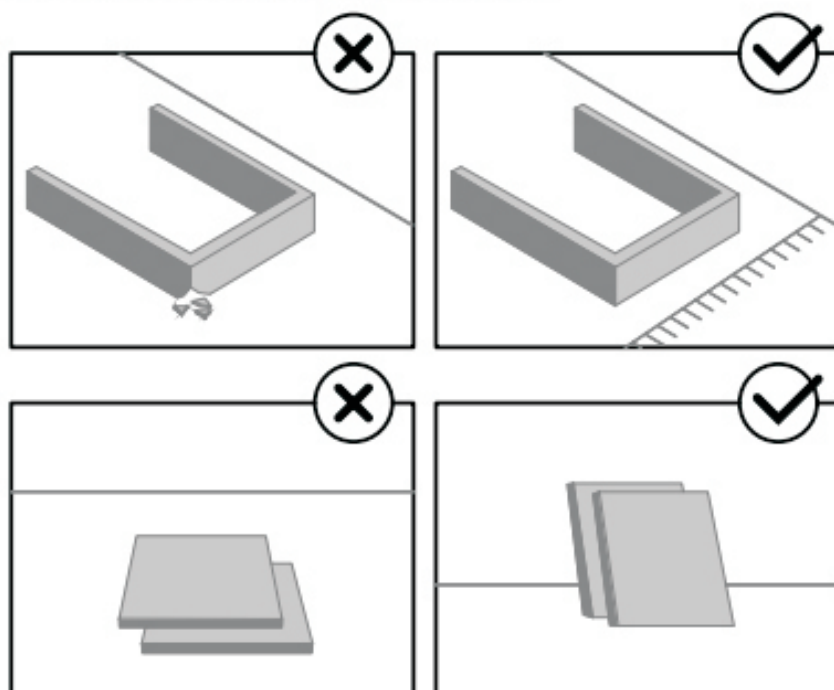
STOP!

Before beginning the assembly process, ensure all boxes and parts have been delivered.

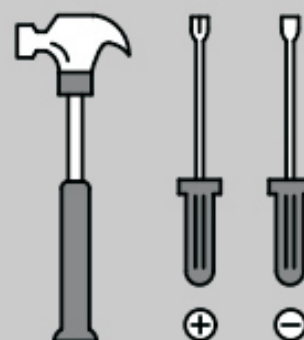
ATTENTION: BEFORE START ASSEMBLING TAKE A PICTURE OF THE LABELS ON THE PACKAGES, THIS WILL BE REQUIRED IN CASE THE PRODUCT HAS ANY ASSISTANCE DEMAND.

FOR BEST RESULTS:

- Do not throw away packaging materials until assembly is complete.
- Assemble item on a soft surface, such as cardboard or carpet, to protect finish.
- Proper assembly requires two people.



TOOLS REQUIRED

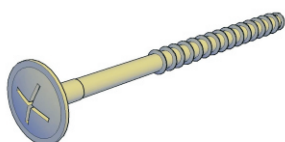
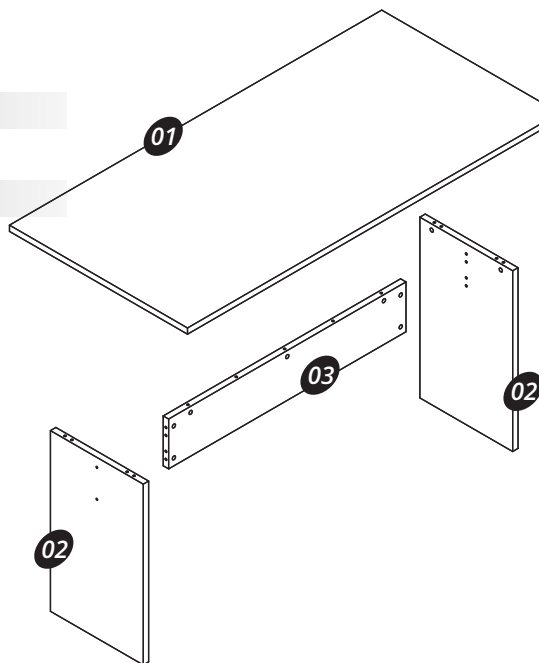


Included in the package

01 - Top Panel = 01 piece

02 - Legs = 02 pieces

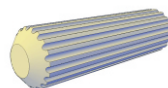
03 - Crossbar = 01 piece



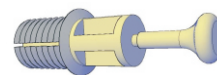
A = 04x



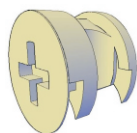
B = 04x



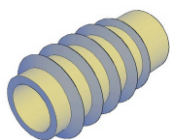
C = 10x



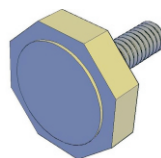
D = 07x



E = 07x



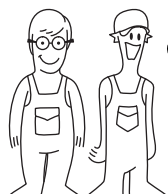
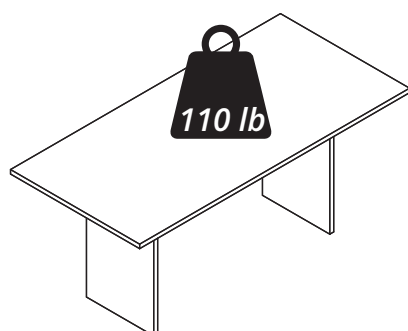
F = 04x



G = 04x



H = 11x



**Tools needed
(not included)**

Big screwdriver



Phillips screwdriver

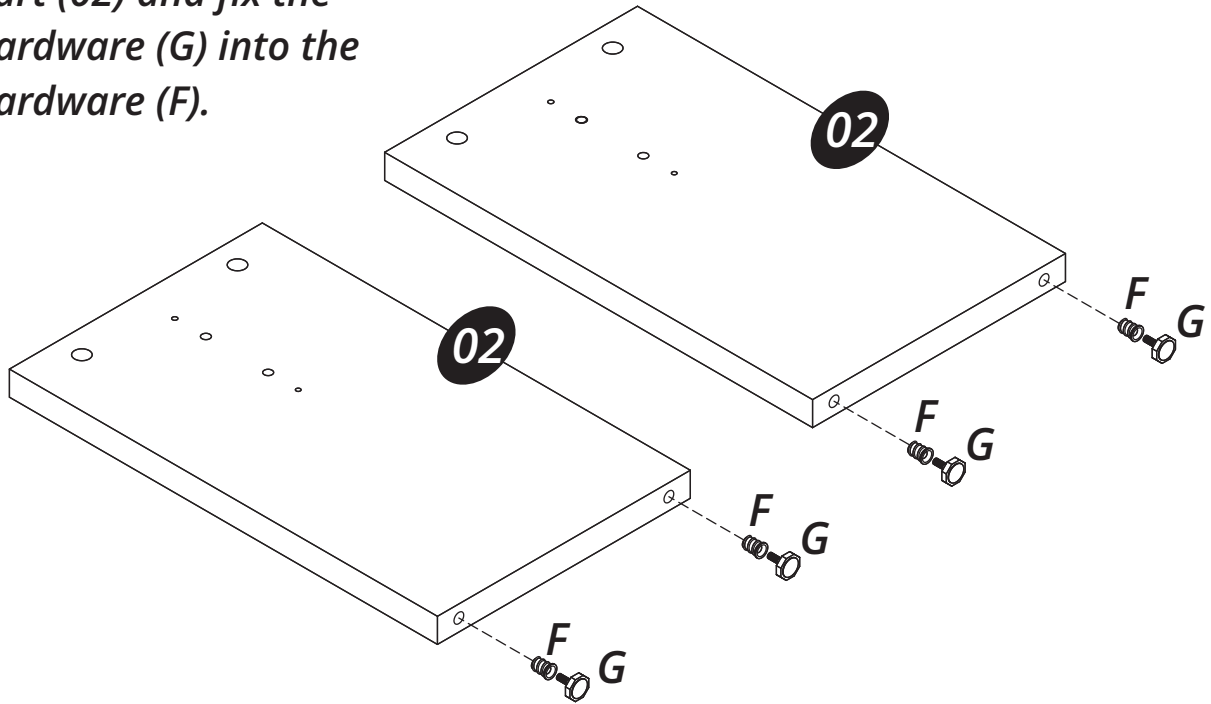


Hammer

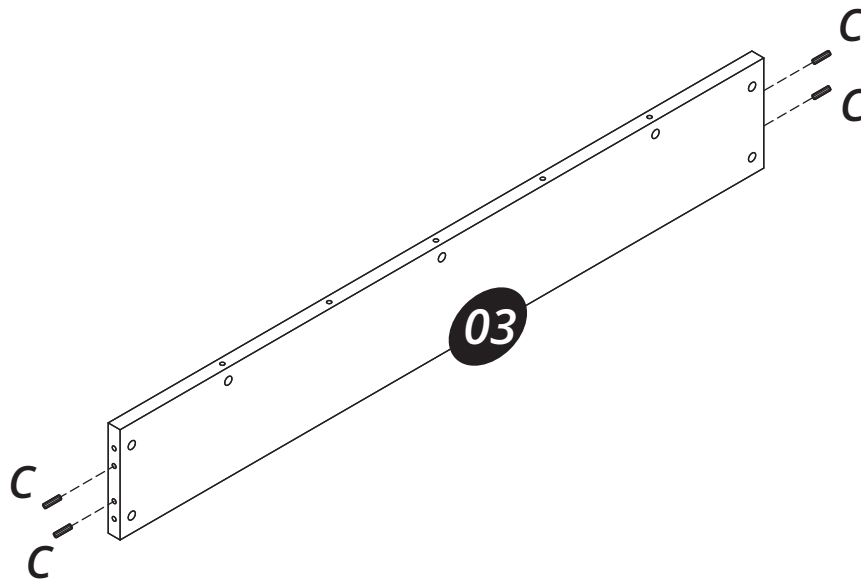


Step 01

Using a big screwdriver, fix the hardware (F) into Part (02) and fix the hardware (G) into the hardware (F).

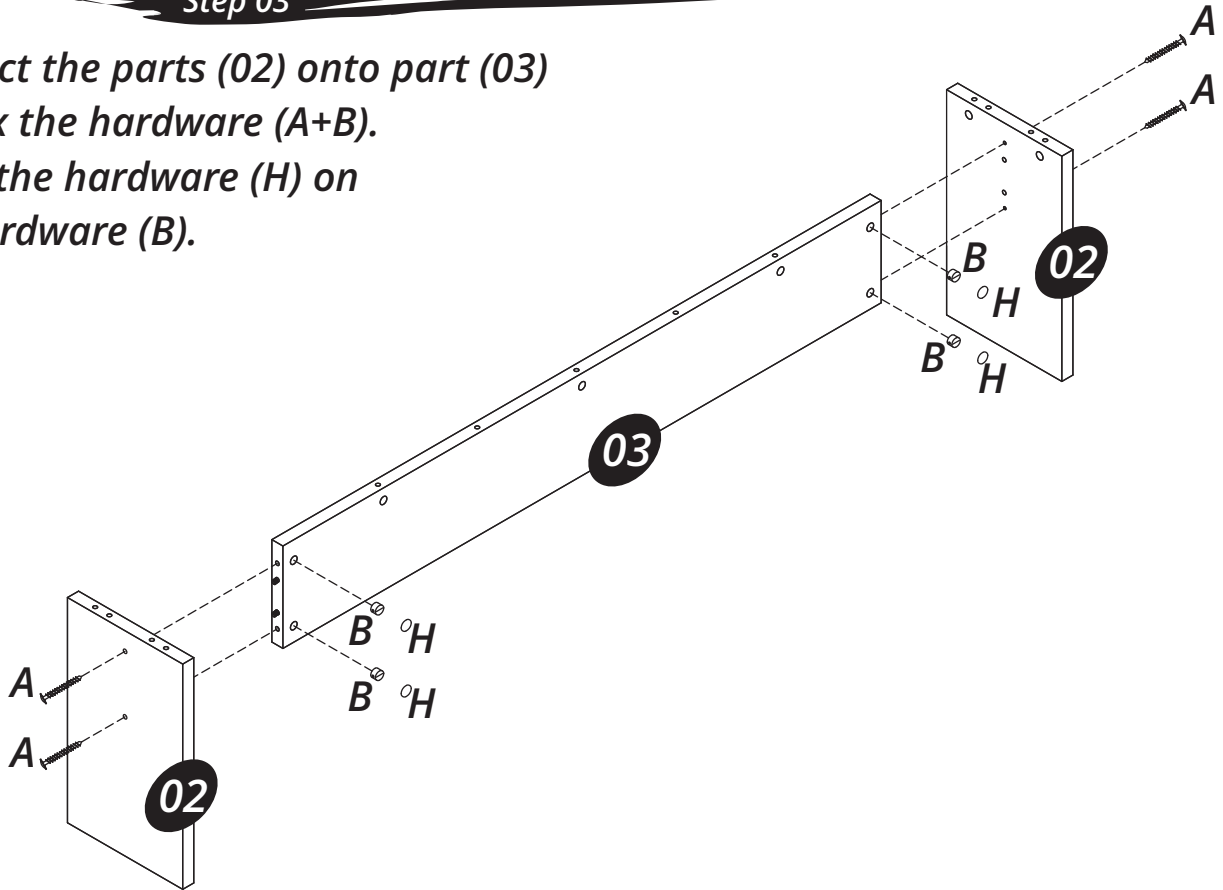
**Step 02**

Connect the hardware (C) onto the part (03).



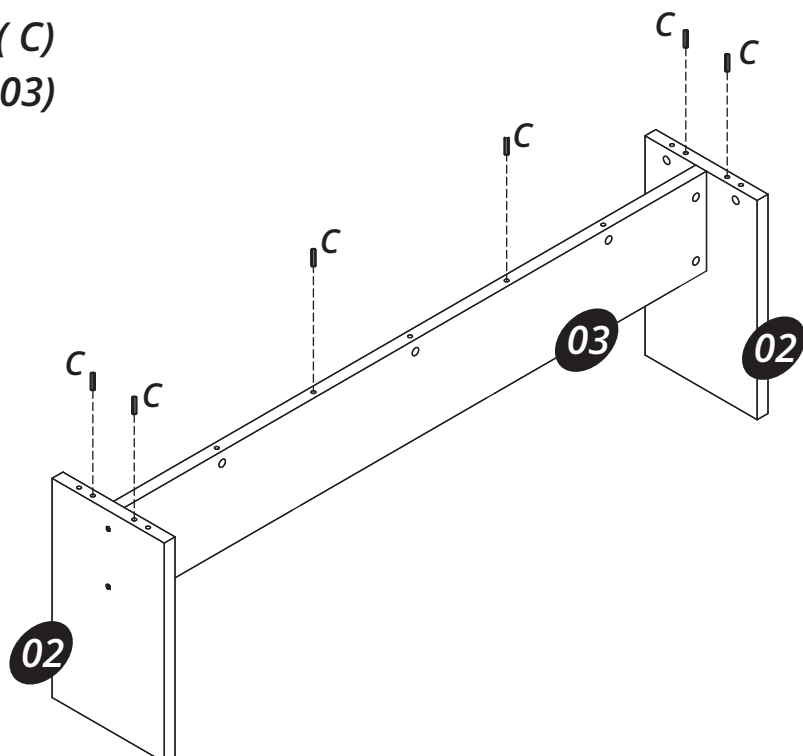
Step 03

Connect the parts (02) onto part (03)
and fix the hardware (A+B).
Apply the hardware (H) on
the hardware (B).



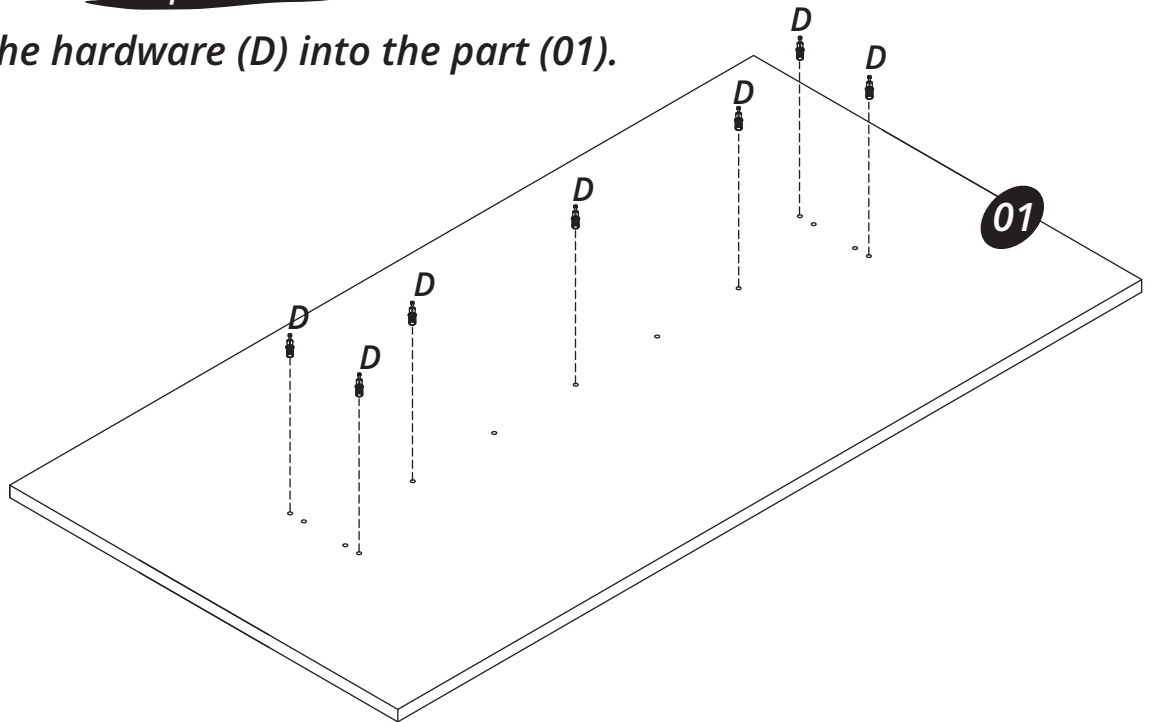
Step 04

Connect the hardware (C)
onto the parts (02 and 03)



Step 05

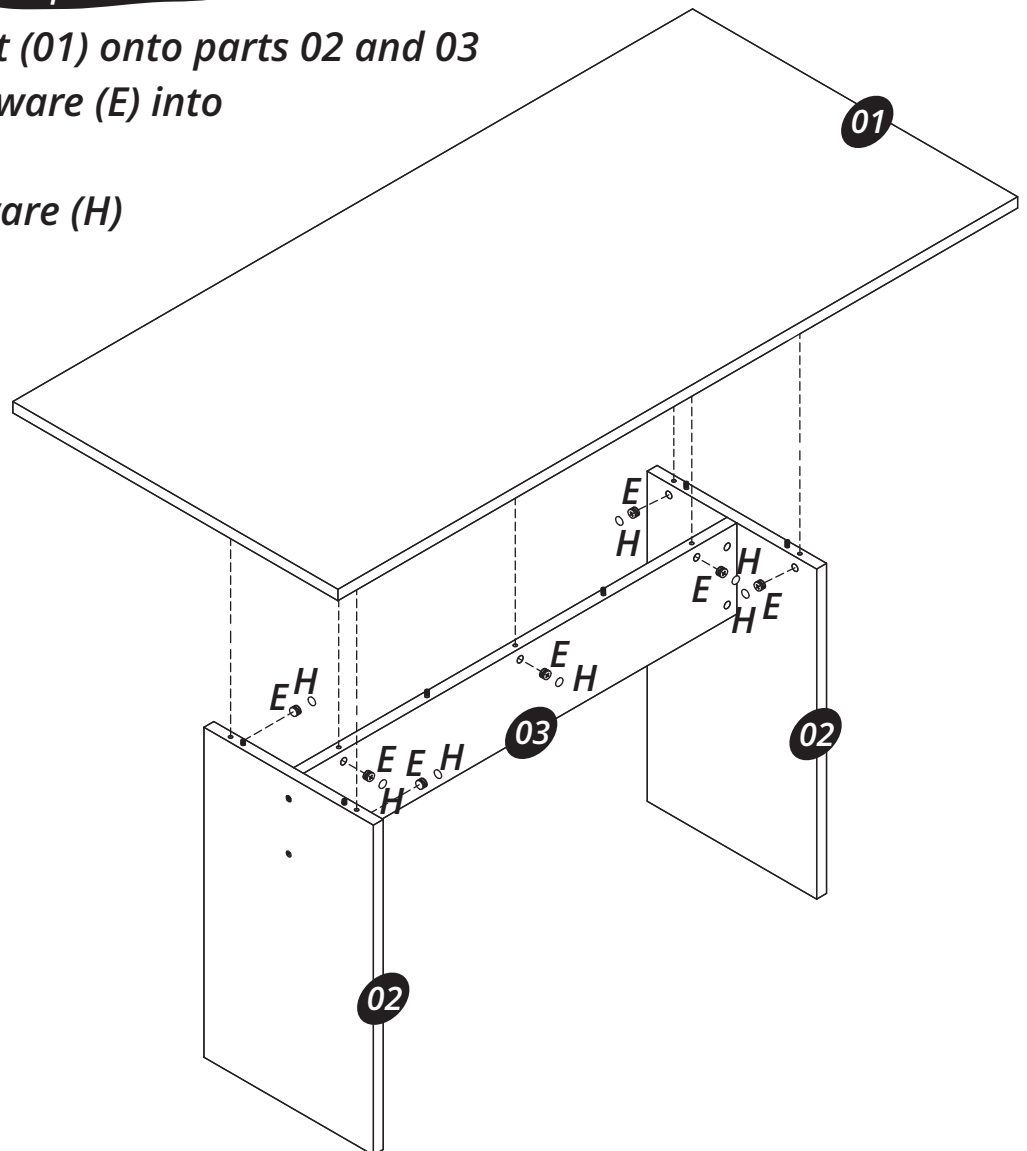
Connect the hardware (D) into the part (01).



Step 06

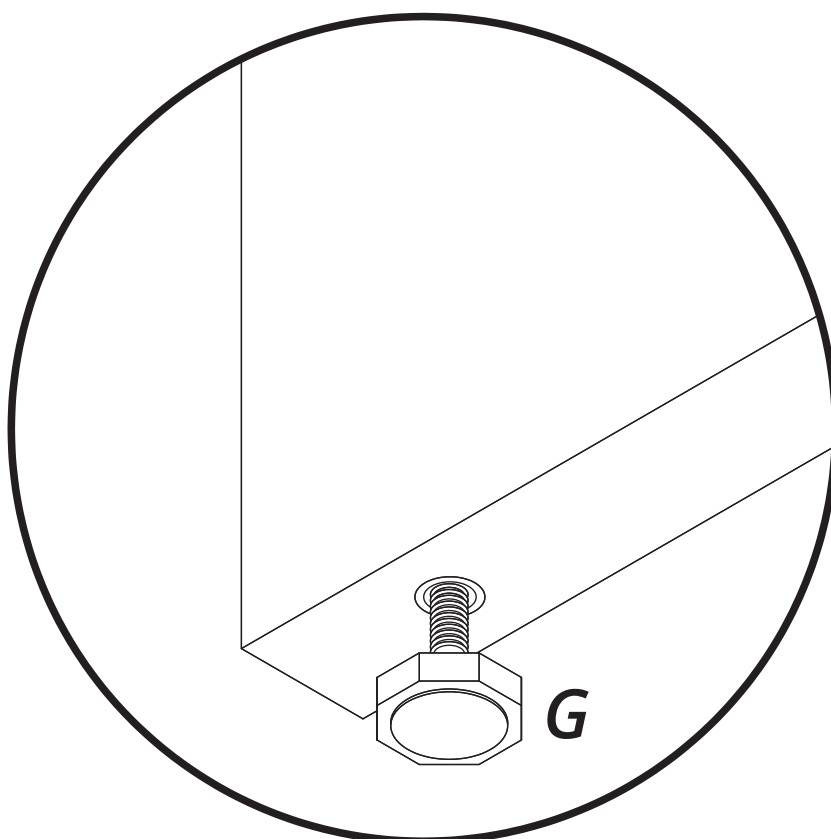
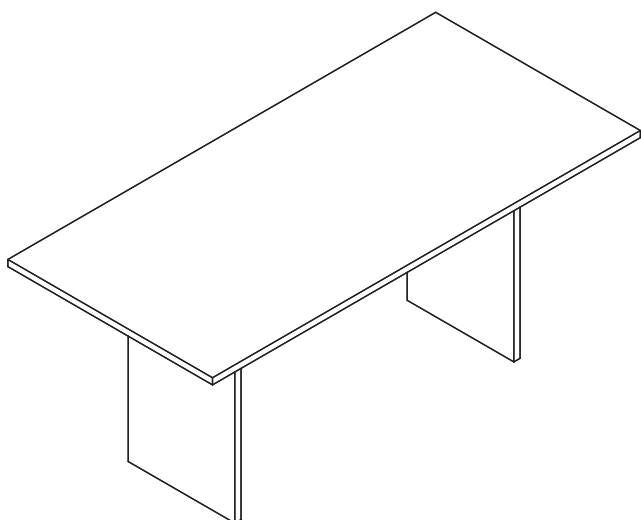
Connect the part (01) onto parts 02 and 03 and fix the hardware (E) into hardware (D).

Apply the hardware (H) on hardware (E).



Step 07

Turn hardware (G) to the left of the right to adjust the height of the bench.



WARRANTY POLICY

All furniture products are warranted, to the original purchaser at the time of purchase and for a period of 30 days thereafter.

Our warranty is limited to new products purchased in factory sealed cartons.

In order to provide you with timely assistance, please thoroughly inspect your furniture for missing or defective parts immediately after opening the carton.

Manhattan Comfort offers a 30-day parts replacement warranty on all items.

Our furniture products are not intended for outdoor use.

THE WARRANTY DOES NOT COVER:

- Defects/damages by improper assembly or disassembly.
- Defects/damages caused by shipping. Claims for damage during transit should be placed immediately to the transportation company.
- Defects/damages caused by inappropriate use of the furniture.