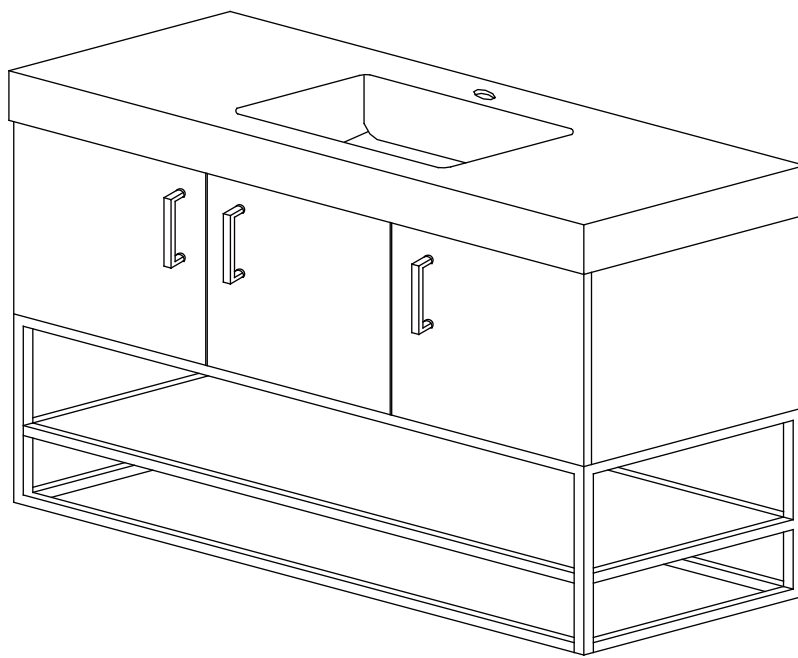


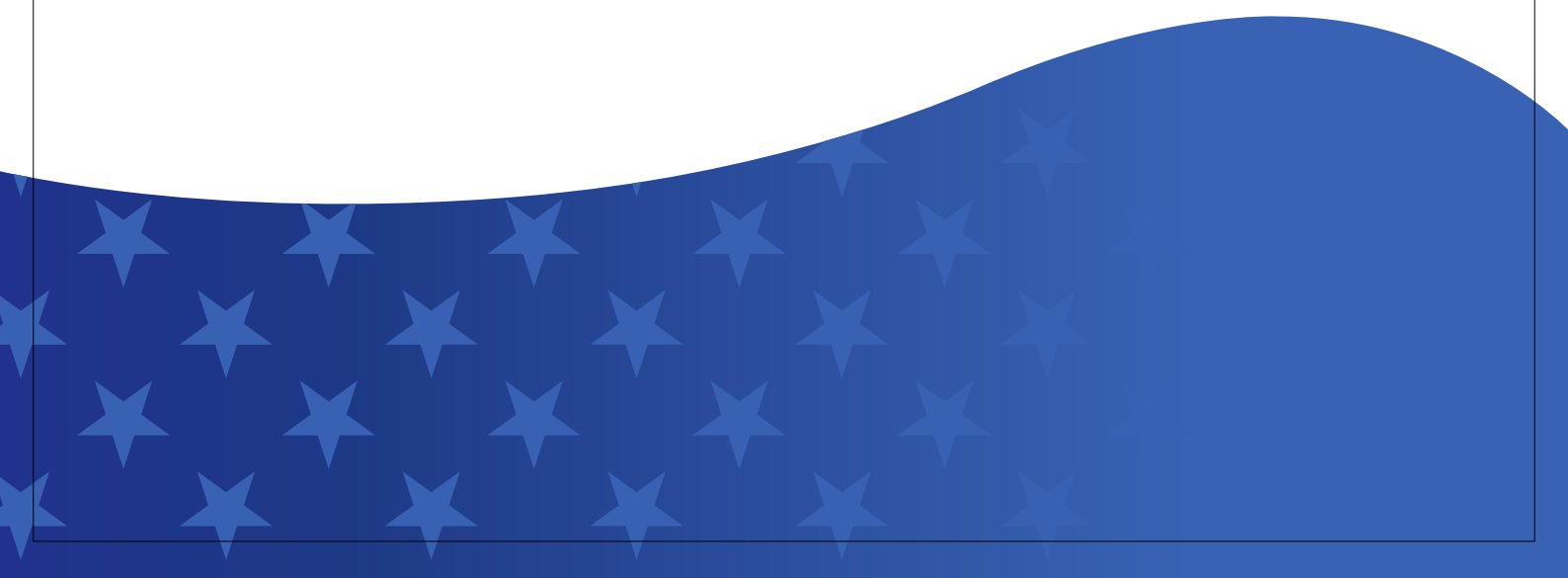
Installation Manual



Freestanding Bathroom Vanity

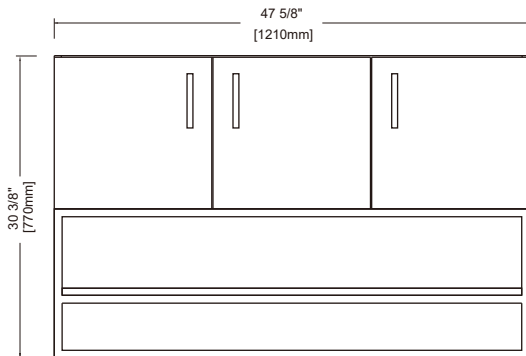
INDEX

1. Dimension	P01-02
2. Installation Preparation	P03
3. Installation Instruction	P04-05

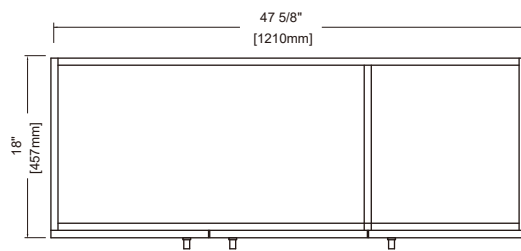


48"

47-5/8" X 30-3/8" X 18"



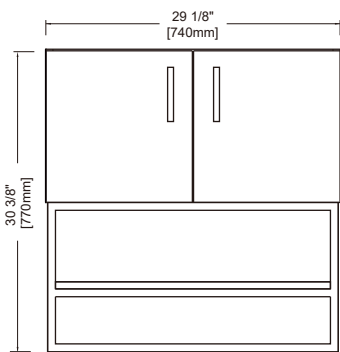
FRONT VIEW



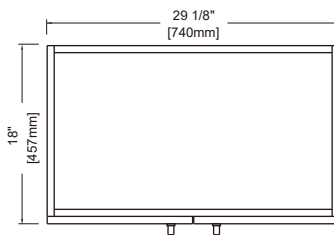
PLAN VIEW

30"

29-1/8" X 30-3/8" X 18"

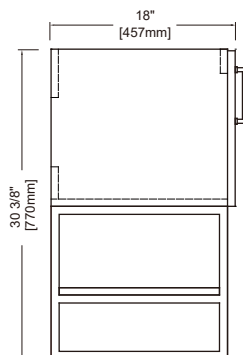


FRONT VIEW



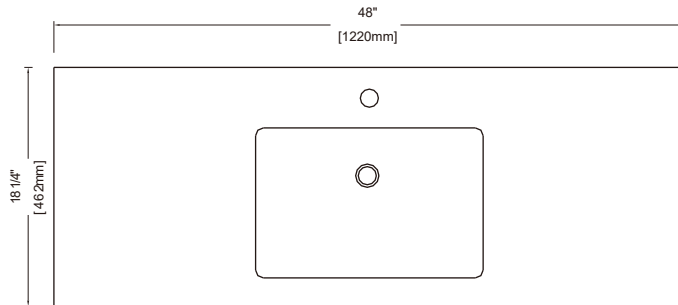
PLAN VIEW

SIDE VIEW



48"

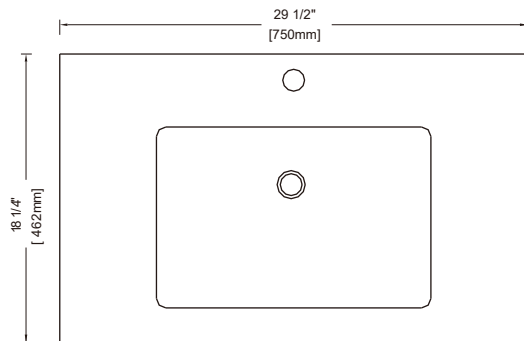
48" X 18-1/4"




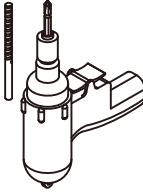

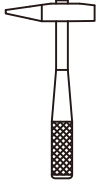

COUNTERTOP PLAN VIEW

30"

29-1/2" X 18-1/4"

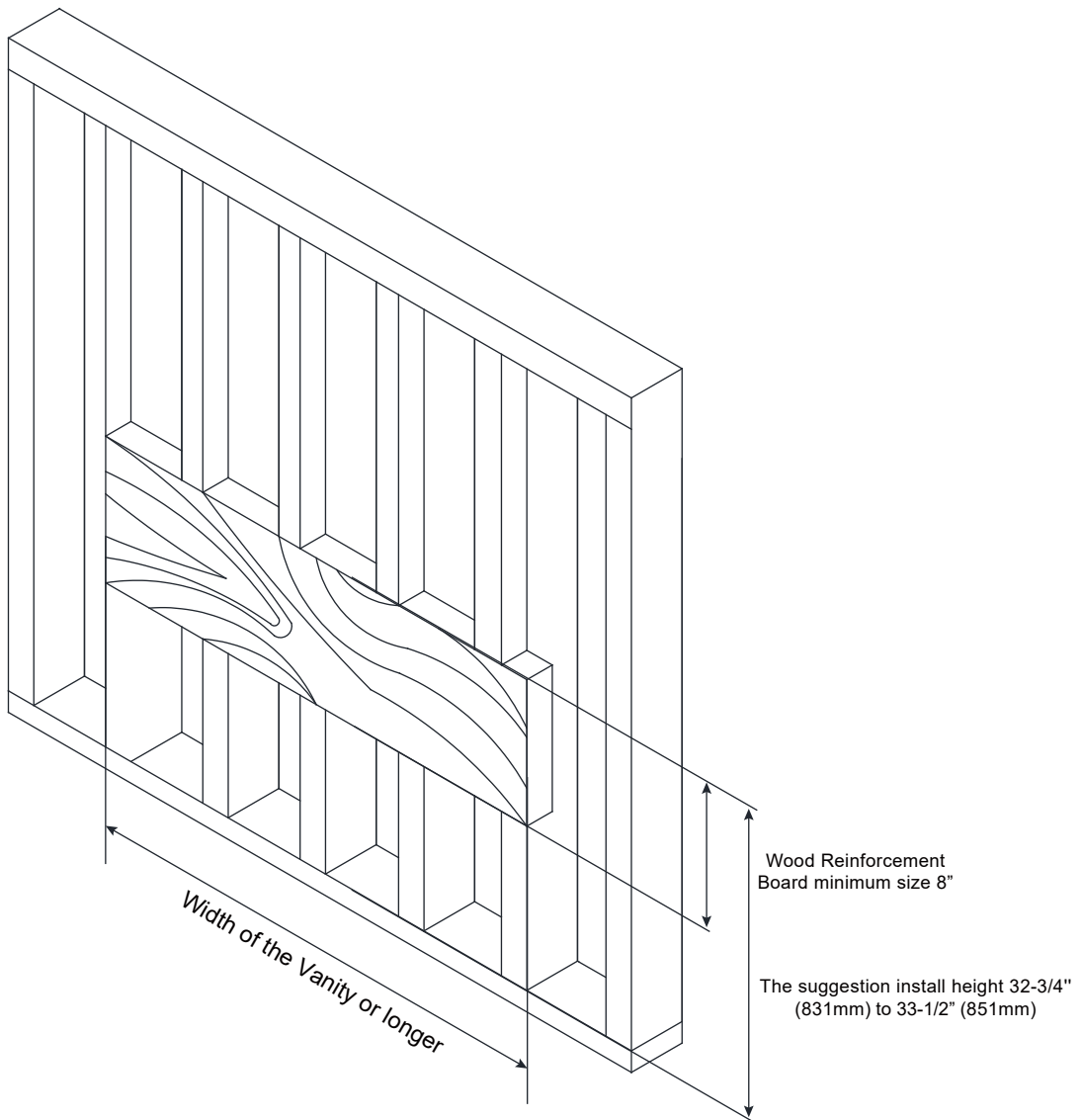


COUNTERTOP PLAN VIEW

Hardware				Tools (not includes)		
No.		Draw	Qty			
A	Anchors		10pcs			
B	Lag Bolt		10pcs			

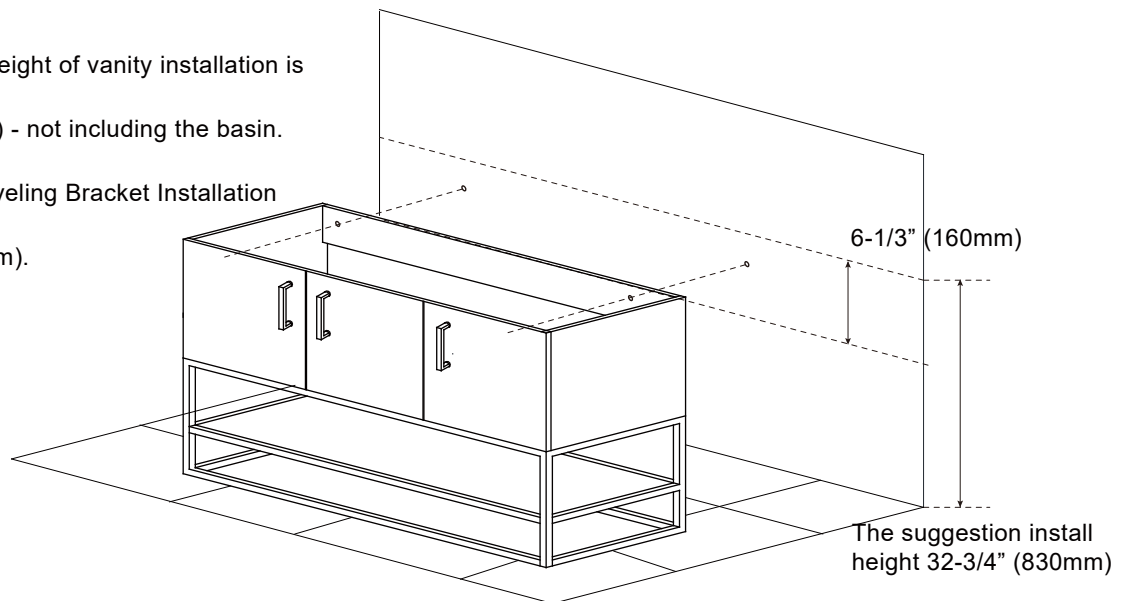
Wall Preparation

The typical dimensions shown will result in vanity cabinet height of 32-3/4" (831mm). Depending on the sinks selected, the total height will vary from 33-1/2" (850mm) to 35-1/4" (895mm). If an alternate height is desired, adjust the rough-in and backing material heights using the dimensions provided.



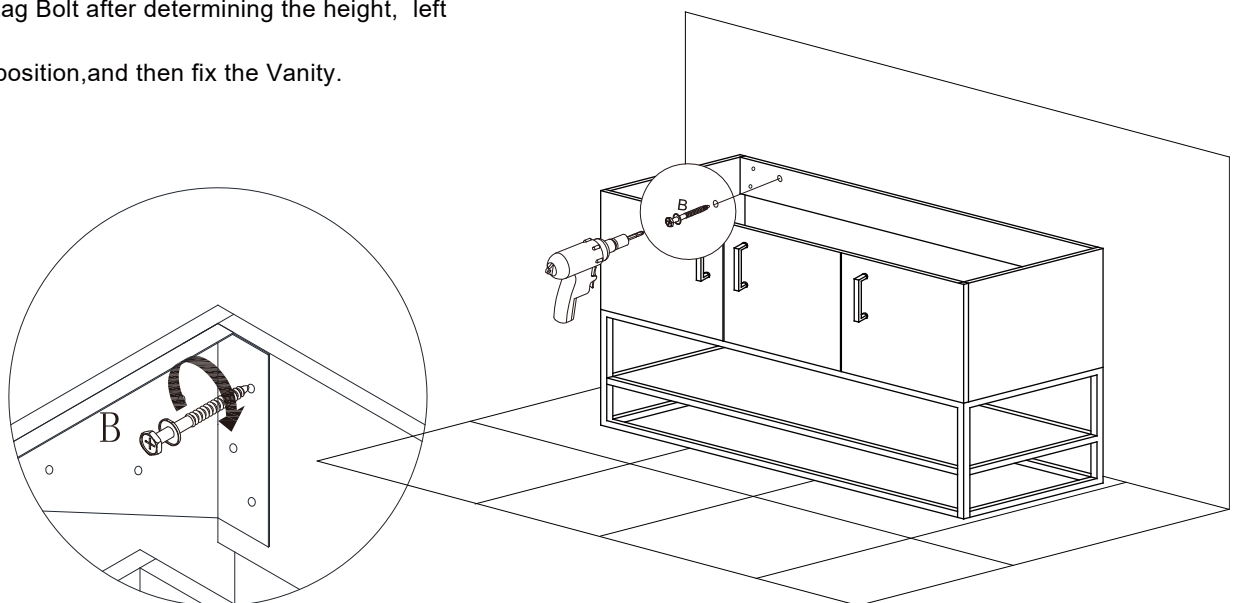
STEP 1. Cabinet positioning and installation

- The suggested height of vanity installation is 32-3/4" (830mm) - not including the basin.
- The height of Leveling Bracket Installation is 26-1/2" (671mm).



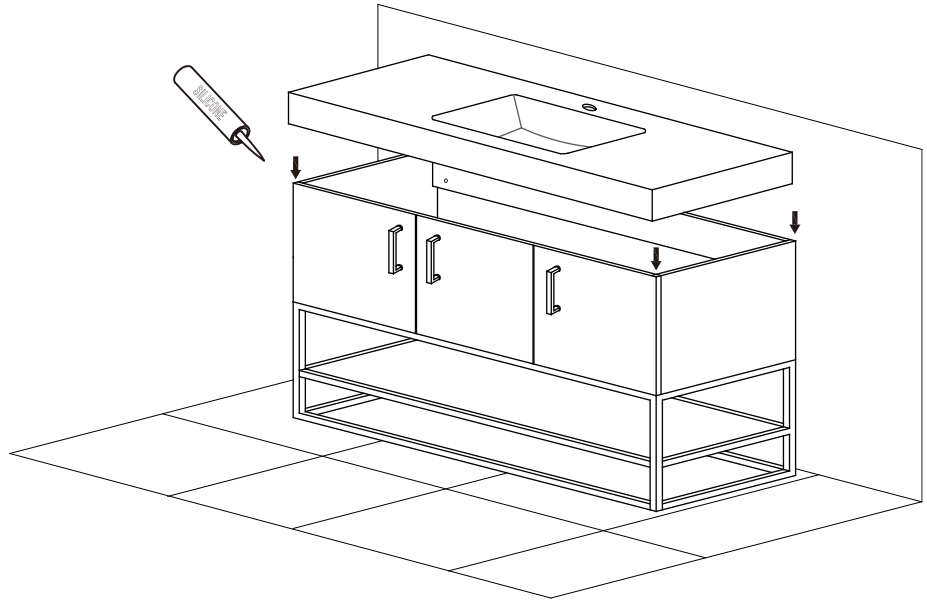
STEP 2. Fixed Cabinet

Install Lag Bolt after determining the height, left & right position, and then fix the Vanity.



STEP 3.

Install sink top with Silicone



STEP 4.

Finish

