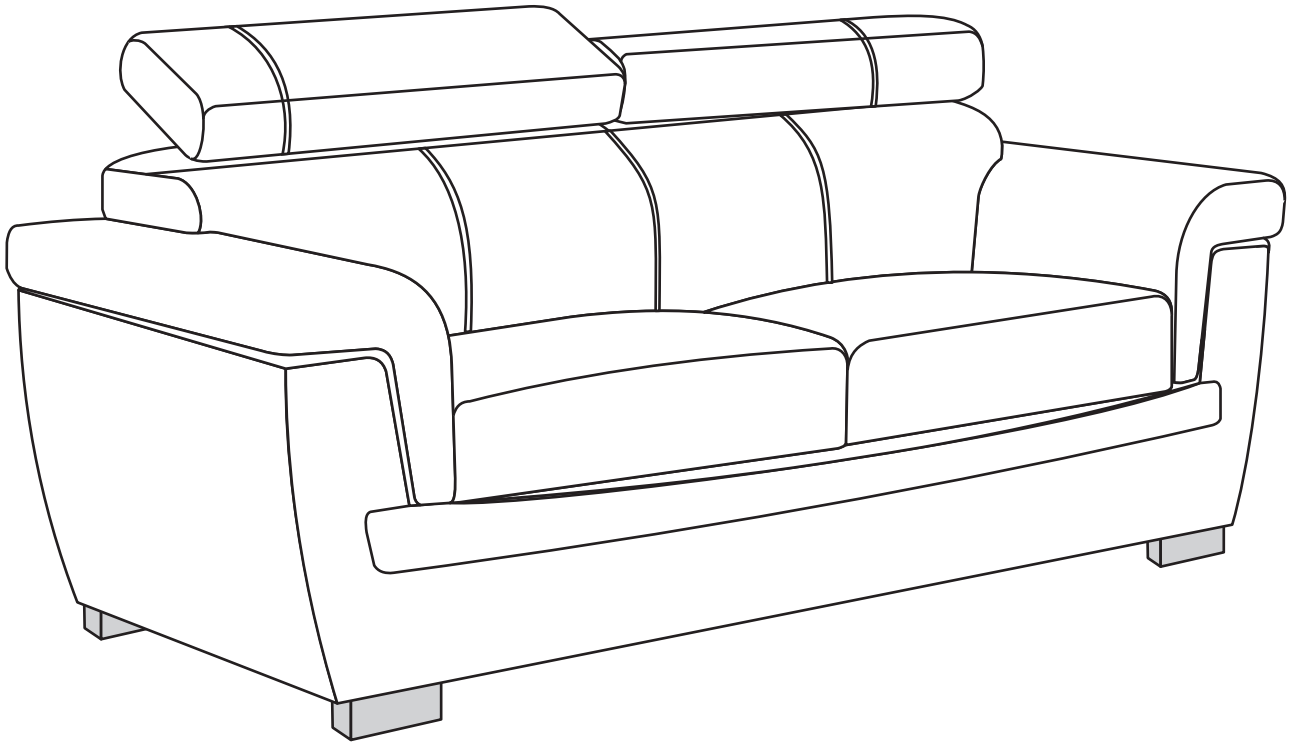
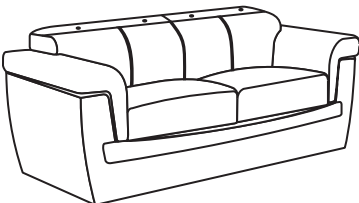
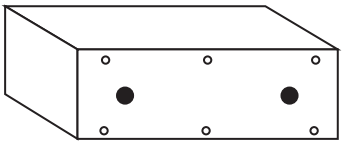
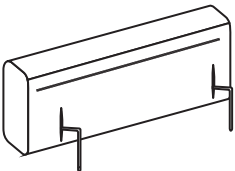
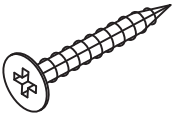


Assemble instruction

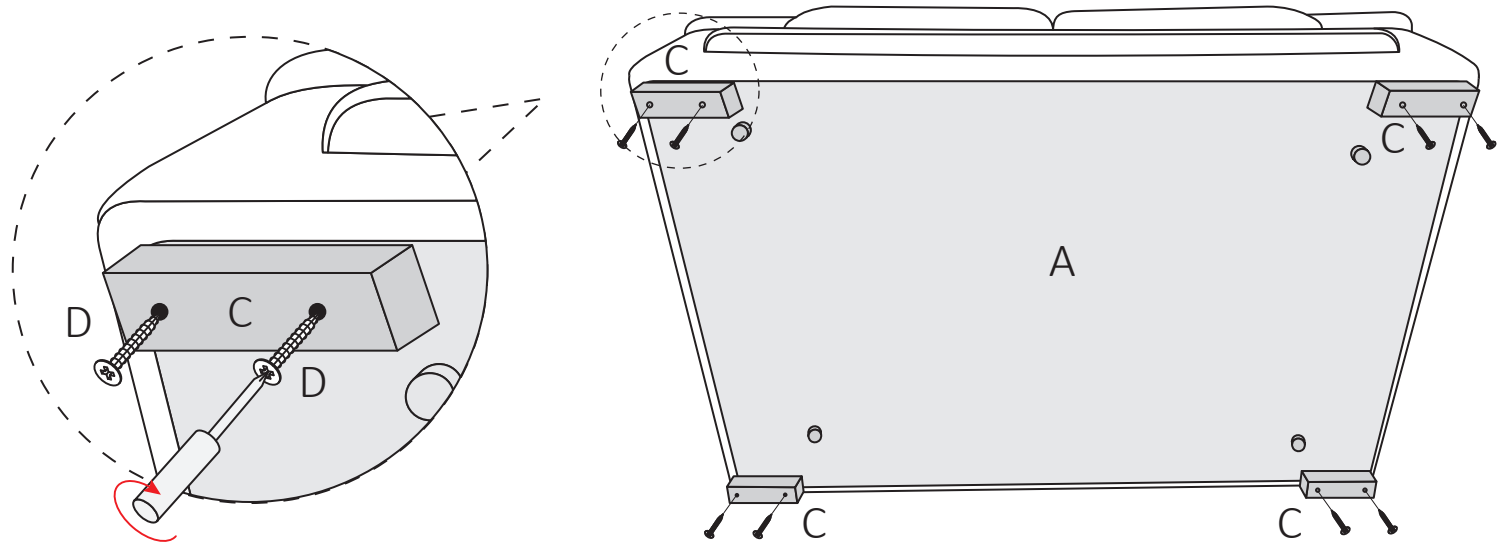
Your sofa comes packaged in a box. Do not use any sharp object to open plastic wrapped components, as damage to product or components may occur.
Carefully unpack all of the components and set aside for assembly.
Assemble on a soft surface to prevent scratching the finish.
Please follow the instructions below step by step to successfully assemble your sofa.



PART LIST:

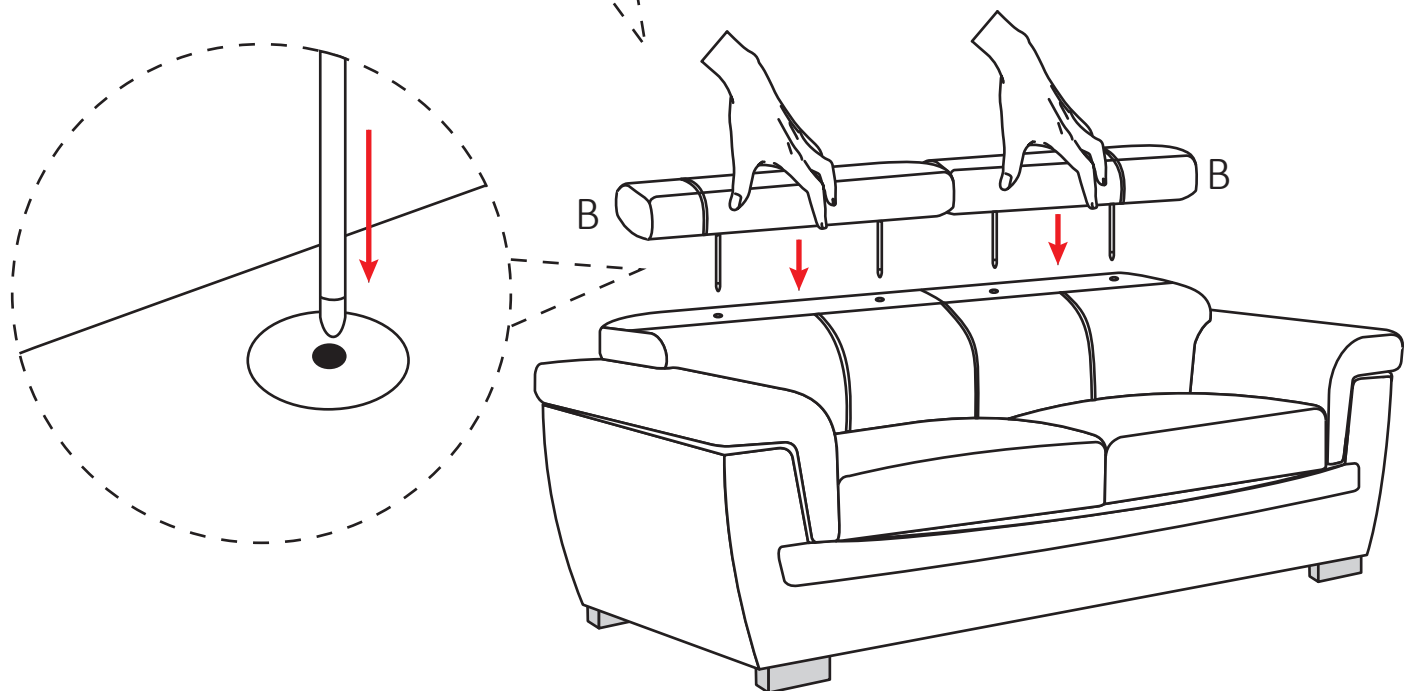
A		C	
1 PC		4 PCS	
B		D	
2 PCS		8 PCS	

Step 1:

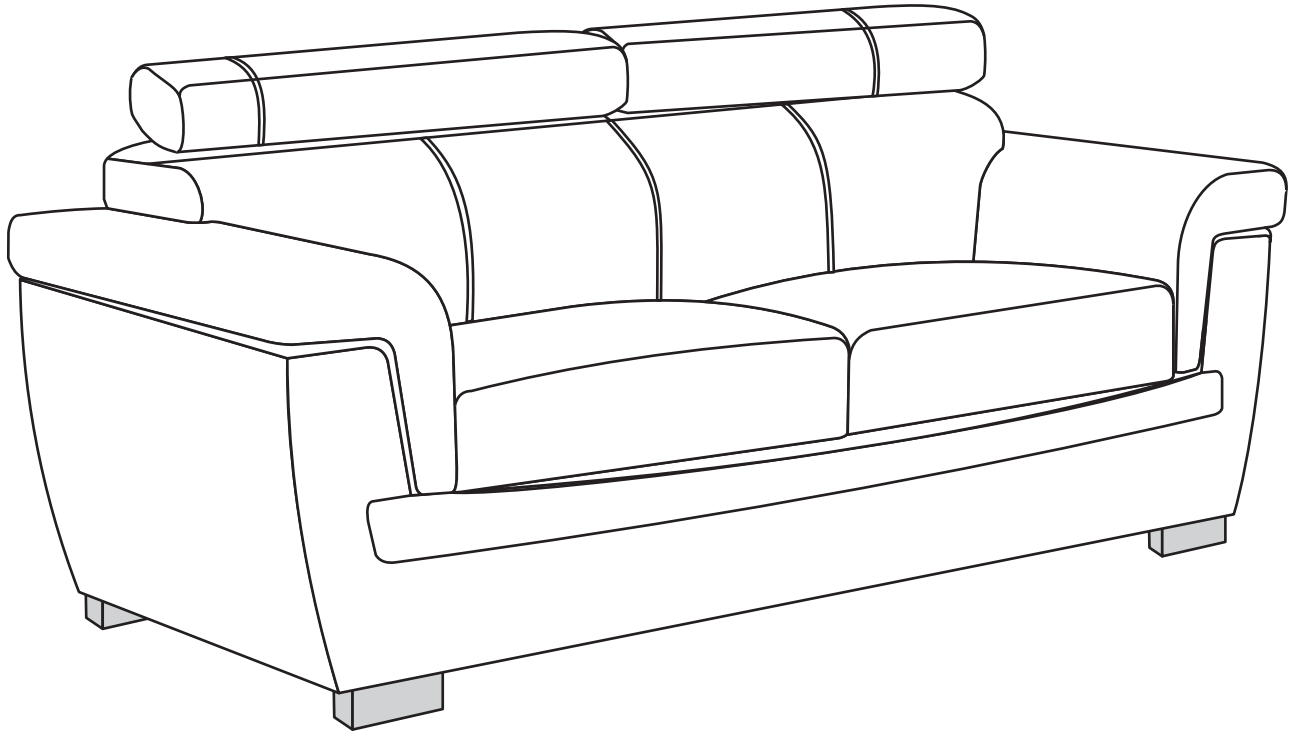


Step 2:

NOTE: Align the headrest's metal rods with the sockets on the sofa backrest, slide them in until they sit flush, and apply firm downward pressure to secure them in place. The headrests will be fully secured when you hear a clicking sound.



Step 3:



NOTE:

