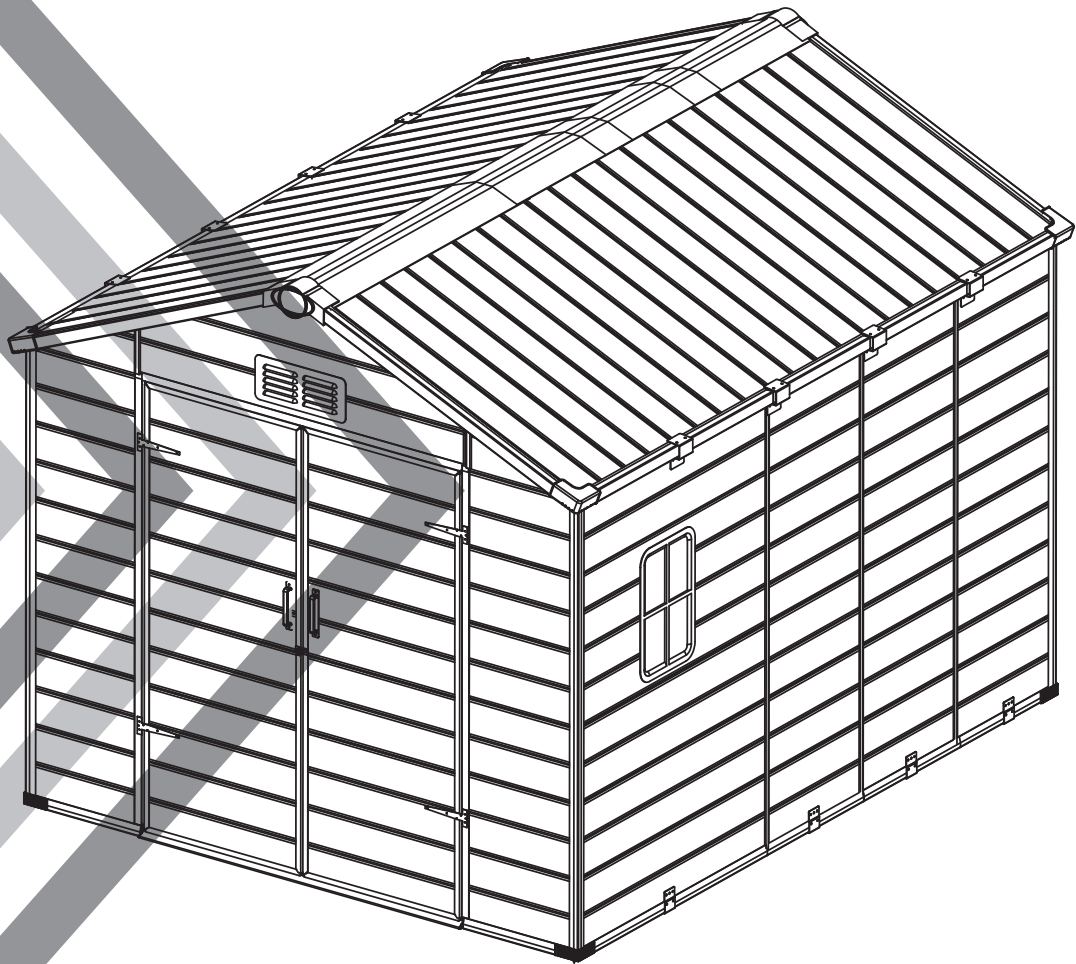




INSTALLATION INSTRUCTIONS



TOOL ROOM 8x10

-INSTALLATION INSTRUCTIONS-

How to Use the Installation Manual

Read Thoroughly First

Before beginning assembly, carefully read all instructions and information in the manual. Verify that you have all the parts listed in the parts list.

Self-Drilling Required

Due to the ductility of the resin material, there are no pre-drilled holes on the panels. You will need to drill the holes yourself during assembly as per the instructions.

Understand the Diagrams

The manual includes diagrams and a parts list. Cross-reference the part numbers with the physical pieces to ensure all components are present.

Follow Step-by-Step

Do not skip ahead. Adhere strictly to the assembly instructions in the sequence provided to avoid errors.

Tools needed for installation



Scraper×1



Electric Drill×1



Ladder×1



Screw Driver×1



Tape Measure×1



Small wrench×1



Glove×1

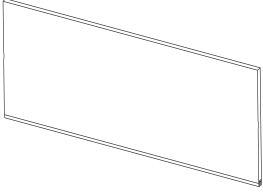
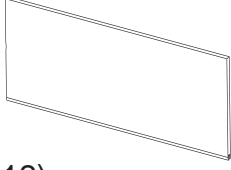
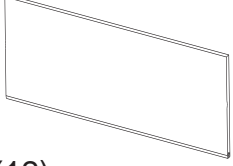
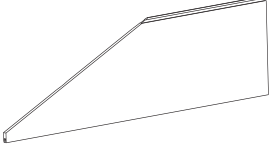
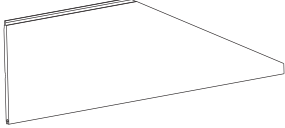
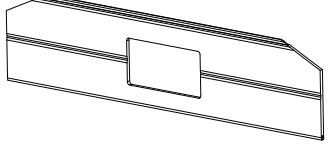
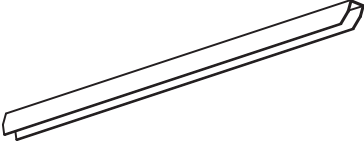
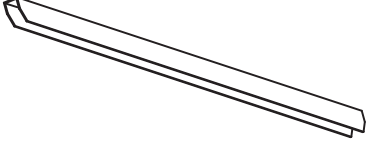
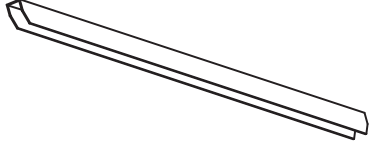
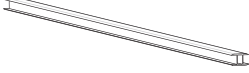
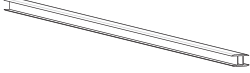
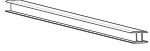

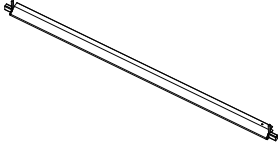
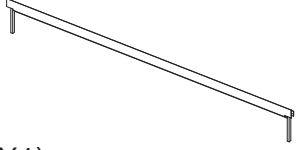
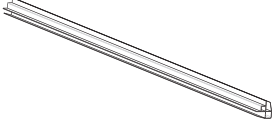
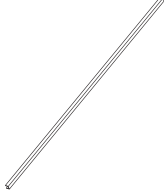
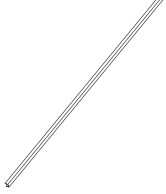
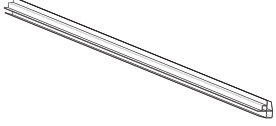
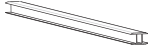
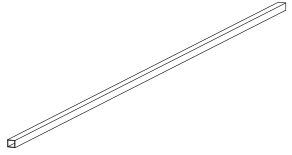


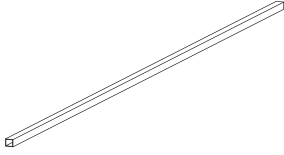
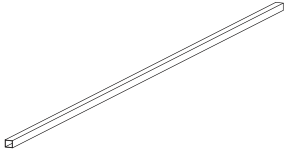
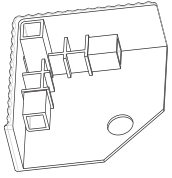
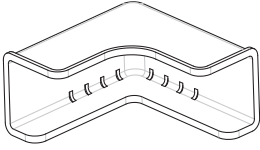
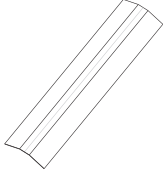
Note:Due to the ductility of the resin,there are no pre-drilled holes on the panel,so please drill your own holes.



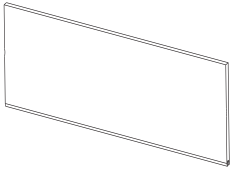
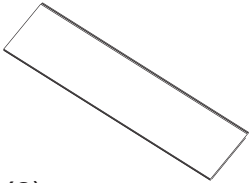
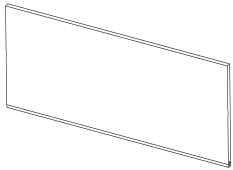
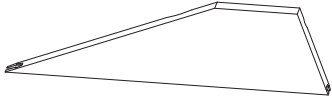
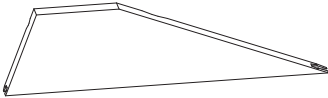
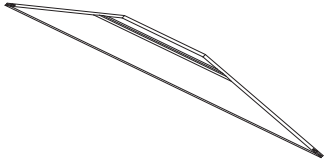
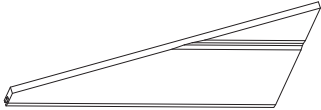
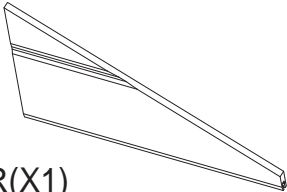
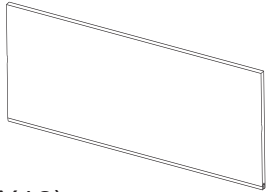
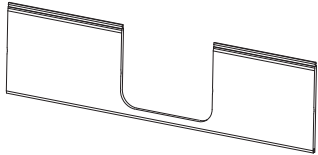
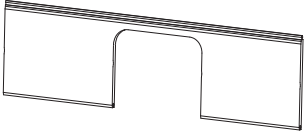
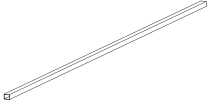
Due to the large size of the product and for Safety,we recommend 2-4 people to work together on the installation,which is expected to be completed in 2-4 hours.

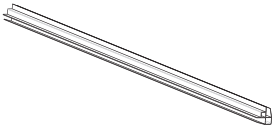
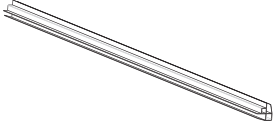
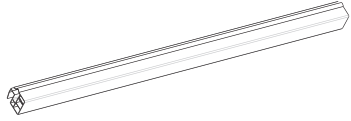
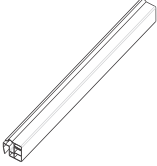




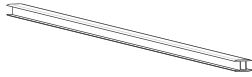
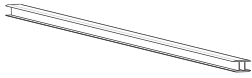
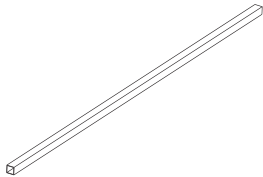
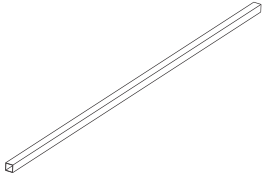
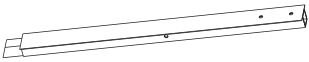
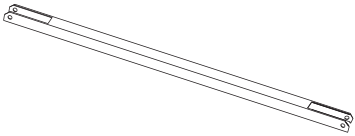
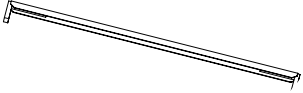

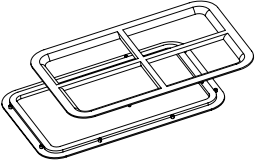
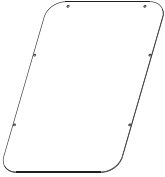
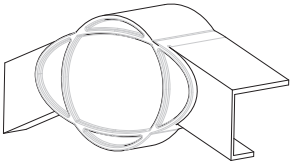
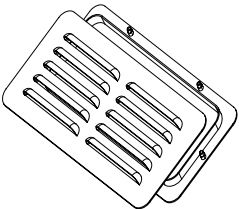
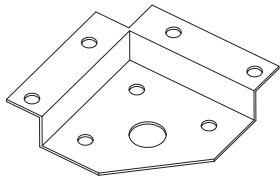
Box A

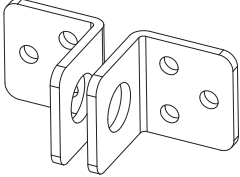
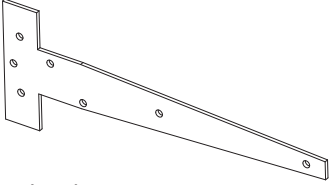

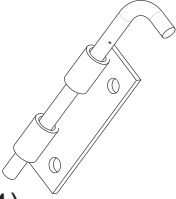
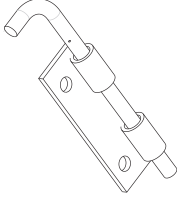
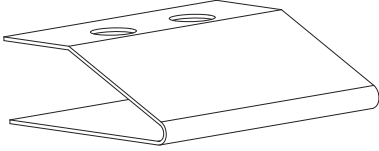


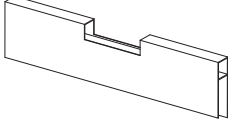
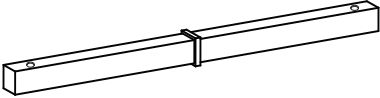
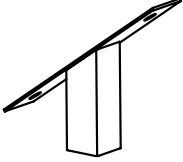
 <p>E7(X12)</p>	 <p>E54(X12)</p>	 <p>E47(X12)</p>
 <p>E68-L(X1)</p>	 <p>E68-R(X1)</p>	 <p>E69(X1)</p>
 <p>H16-L(X1)</p>	 <p>H16-R(X1)</p>	 <p>H17(X4)</p>
 <p>F2(X2)</p>	 <p>F65(X1)</p>	 <p>F8(X1)</p>
 <p>F13(X4)</p>	 <p>F21(X1)</p>	 <p>H6(X1)</p>
 <p>F33(X2)</p>	 <p>F71(X2)</p>	 <p>F70(X2)</p>
 <p>F26(X2)</p>	 <p>F47(X2)</p>	 <p>J92(X2)</p>

 <p>J93(X1)</p>	 <p>J94(X2)</p>	 <p>G1(X4)</p>
 <p>G9(X4)</p>	 <p>G10(X1)</p>	

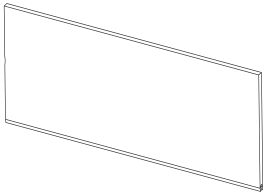
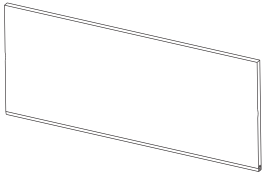
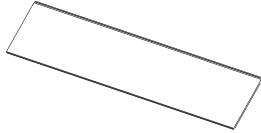
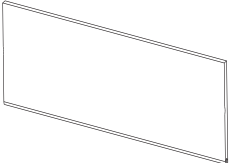
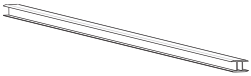

Box B


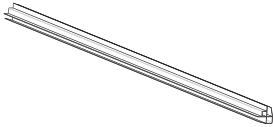
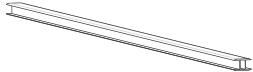
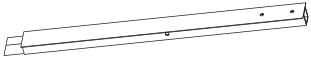
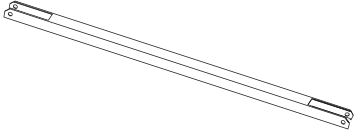
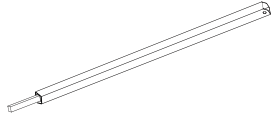
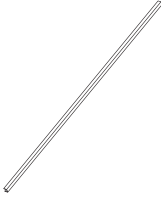
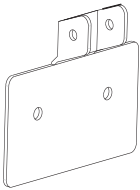
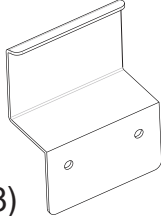
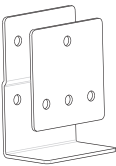
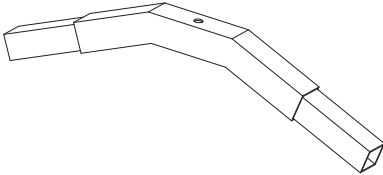
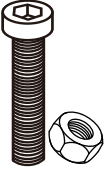
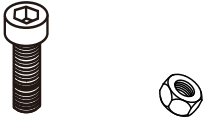





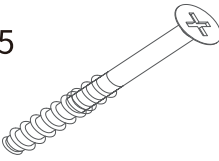
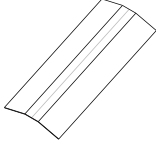
 <p>E59(X10)</p>	 <p>E58(X2)</p>	 <p>E3(X10)</p>
 <p>E70-L(X1)</p>	 <p>E70-R(X1)</p>	 <p>E4(X1)</p>
 <p>E64-L(X1)</p>	 <p>E64-R(X1)</p>	 <p>E13(X12)</p>
 <p>E74(X1)</p>	 <p>E75(X1)</p>	 <p>J91(X5)</p>

 <p>F27(X2)</p>	 <p>F28(X2)</p>	 <p>F44(X4)</p>
 <p>F43(X2)</p>	 <p>F39(X2)</p>	 <p>F44-1(X4)</p>
 <p>F43-1(X2)</p>	 <p>F39-1(X2)</p>	 <p>F12(X1)</p>
 <p>F11(X1)</p>	 <p>J37(X1)</p>	 <p>J46(X1)</p>
 <p>J47(X4)</p>	 <p>J48(X2)</p>	 <p>H15(X4)</p>
 <p>G21(X5)</p>	 <p>G18(X1)</p>	 <p>G5(X1)</p>
 <p>G8(X2)</p>	 <p>G3(X1)</p>	 <p>J1(X4)</p>

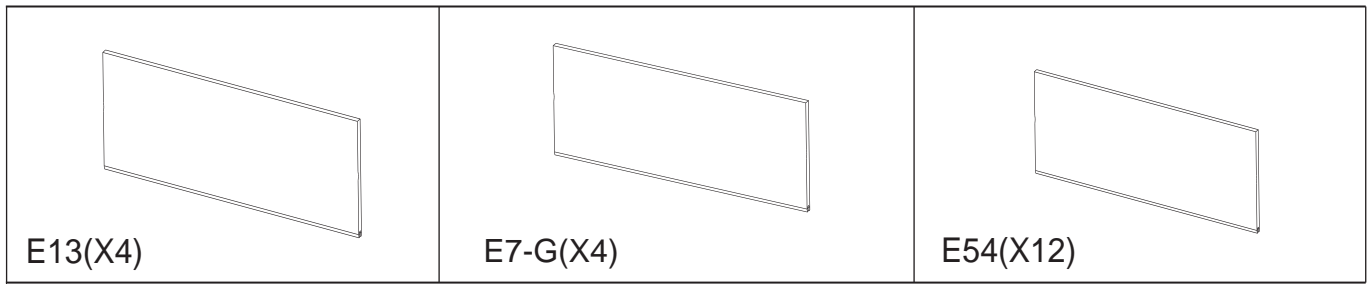
 <p>J16(X2)</p>	 <p>J17(X4)</p>	 <p>J18(X2)</p>
 <p>J31(X1)</p>	 <p>J32(X1)</p>	 <p>J59(X1)</p>
 <p>D90(X4)</p>	 <p>D91(X4)</p>	 <p>J62(X1)</p>
 <p>G29(X5)</p>	 <p>G30(X4)</p>	

Box C

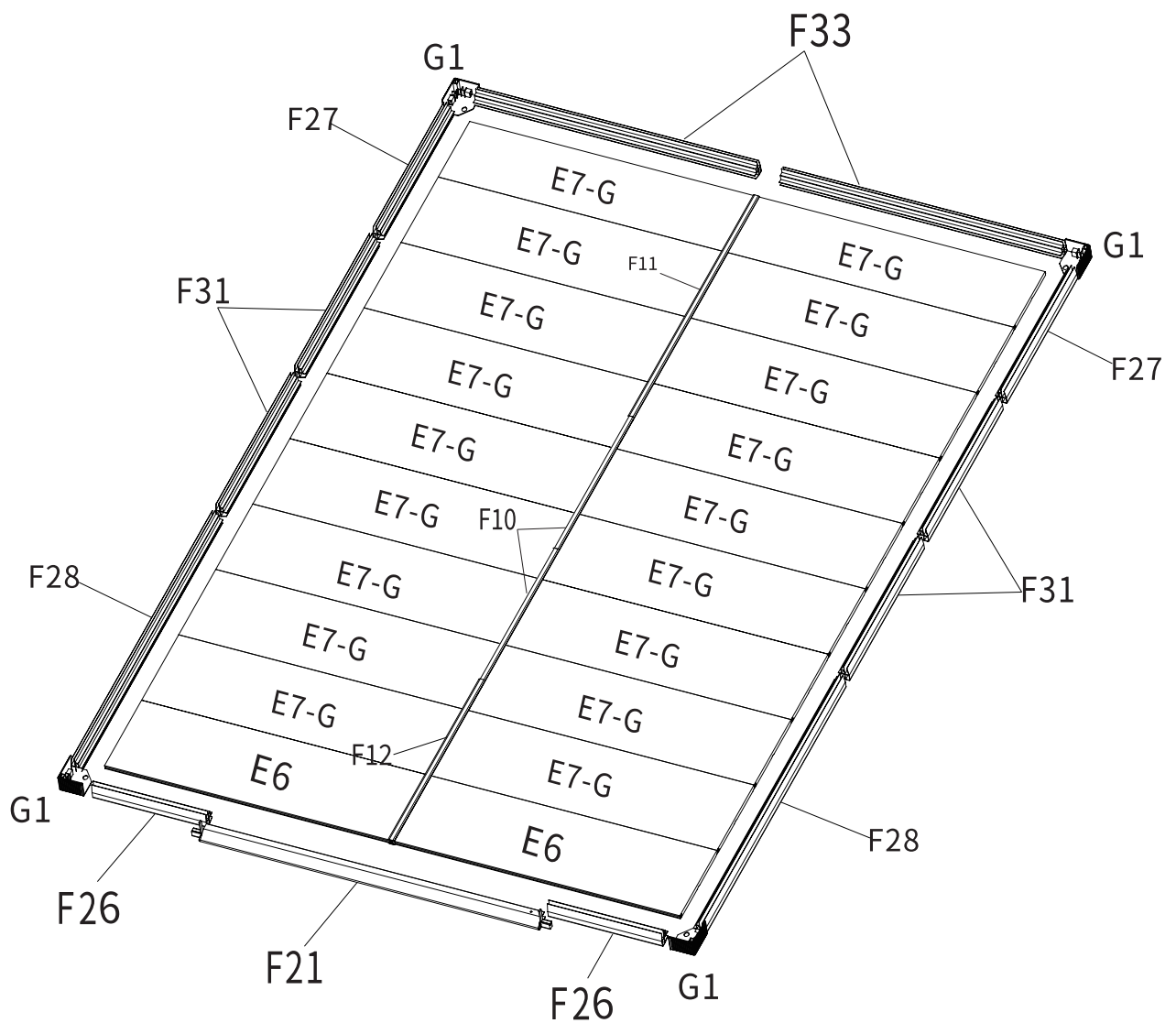
 <p>E13(X4)</p>	 <p>E7-G(X14)</p>	 <p>E6(X2)</p>
 <p>E54(X12)</p>	 <p>F2(X4)</p>	 <p>F40(X4)</p>

 <p>F40-1(X4)</p>	 <p>F31(X4)</p>	 <p>F10(X2)</p>
 <p>J47(X4)</p>	 <p>J48(X2)</p>	 <p>J61(X2)</p>
 <p>F70(X4)</p>	 <p>J3(X8)</p>	 <p>J4-1(X8)</p>
 <p>J6(X11)</p>	 <p>J49(X4)</p>	<p>6×35</p>  <p>J19(X35)</p>
<p>6×20</p>  <p>J65(X38) (X16)</p>	<p>5×12</p>  <p>J20(X410)</p>	<p>4×14</p>  <p>J21(X70)</p>
<p>3.5×10</p>  <p>J60(X16)</p>	<p>4.2×32</p>  <p>J69(X23)</p>	<p>5×30</p>  <p>J70(X50)</p>
<p>5×65</p>  <p>J45(X4)</p>	 <p>G12(X2)</p>	

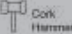
Box D

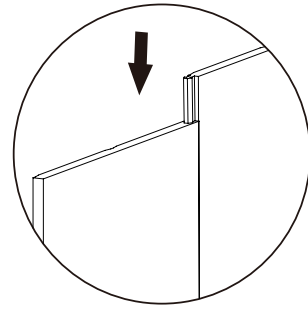
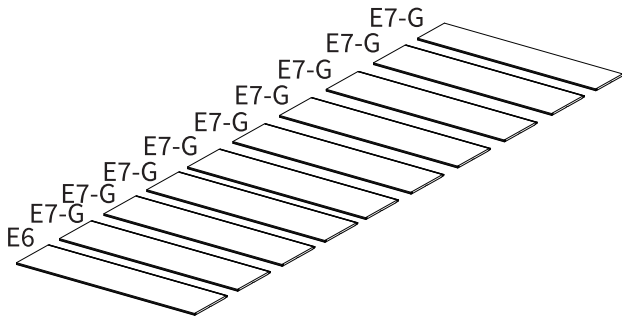


Overall installation drawing of the floor

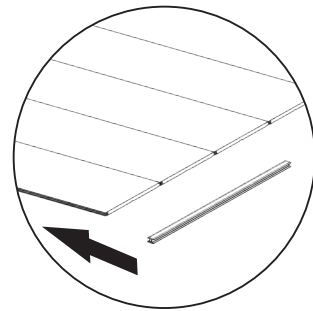
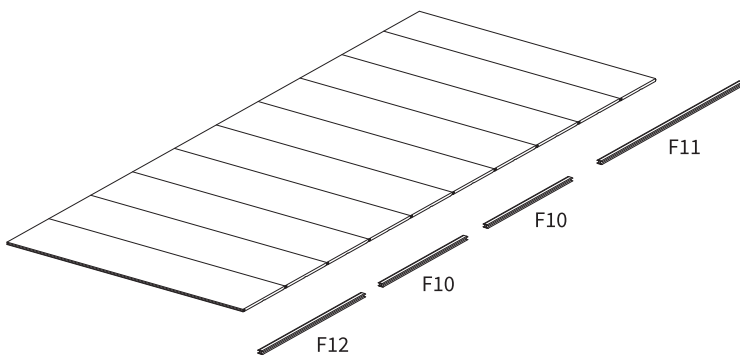


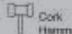
Note: The floor, wall panel and ceiling panel must be screwed, otherwise it will affect the stability of the house.

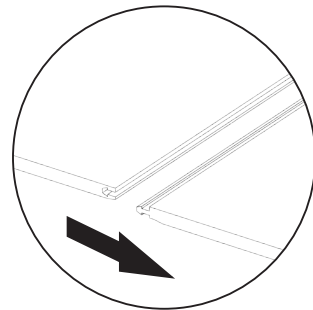
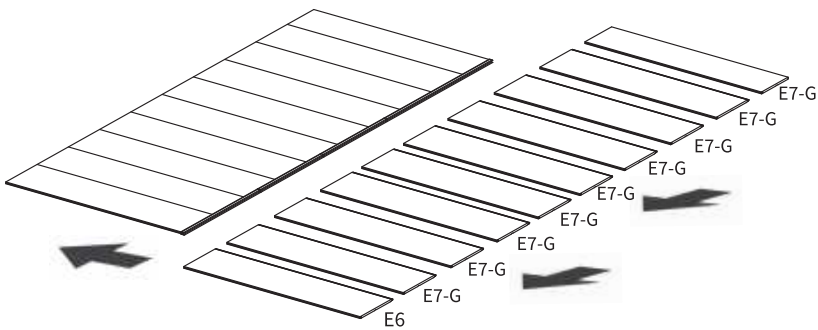
1 E6(x1) E7-G(X9) 

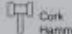


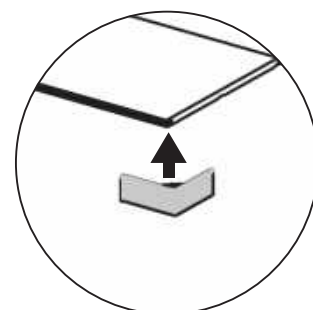
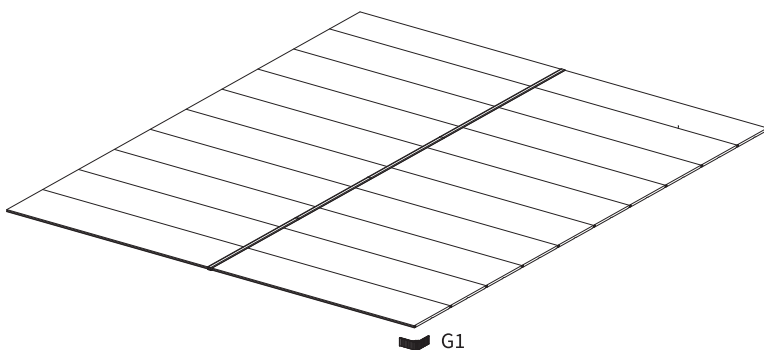
2 F12(X1) F11(X1) F10(X2) 



3 E6(x1) E7-G(X9) 



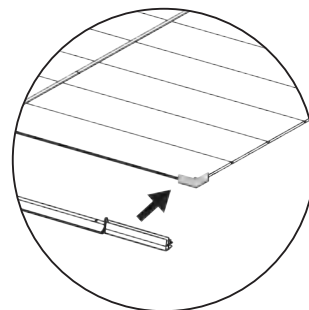
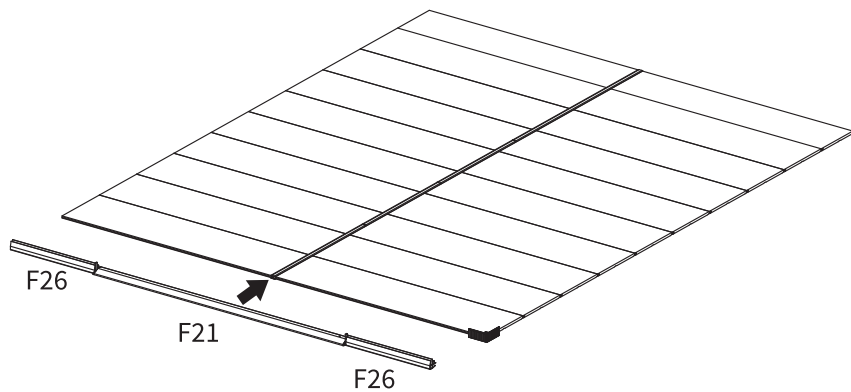
4 G1(X1) 



5



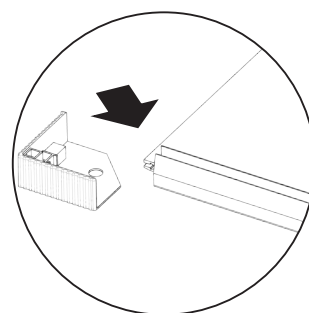
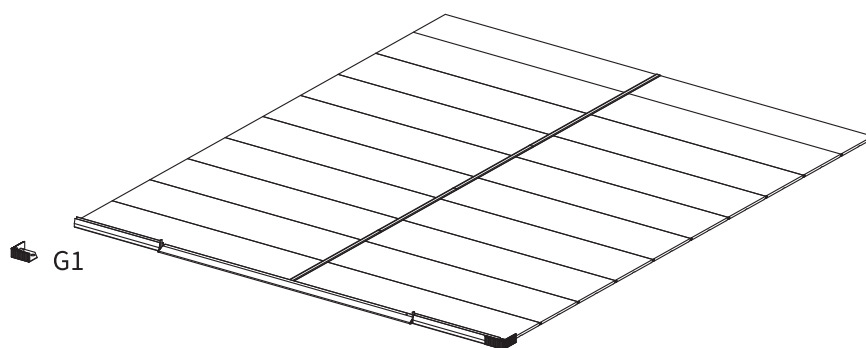
F26(X2) F21(X1)



6



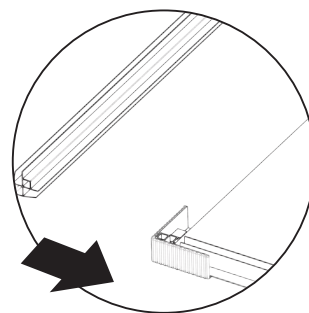
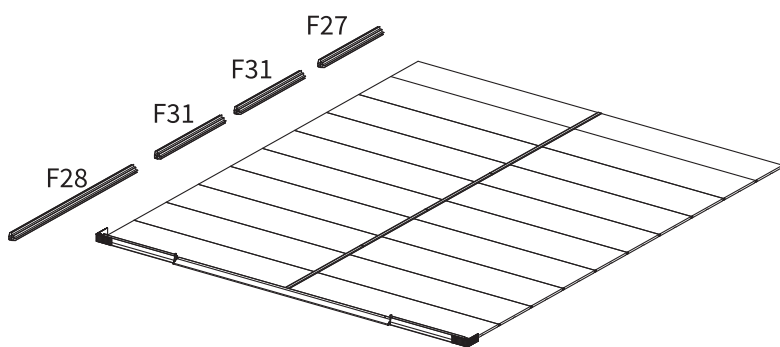
G1 (X1)



7



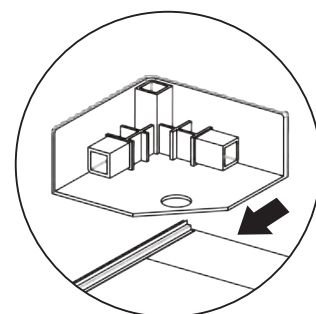
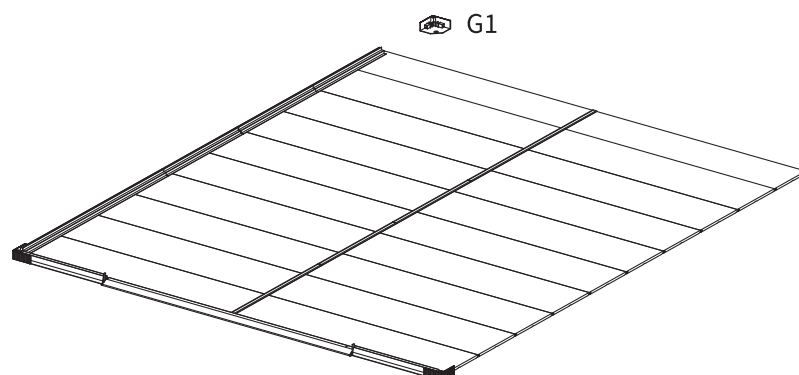
F28(X1) F27(X1) F31(X2)



8



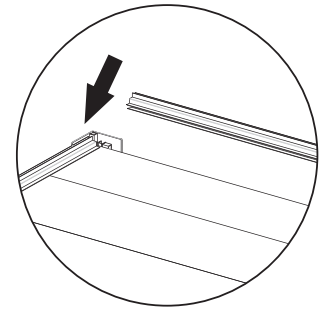
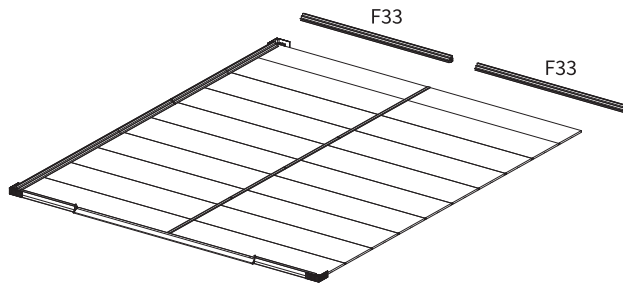
G1(X1)



9



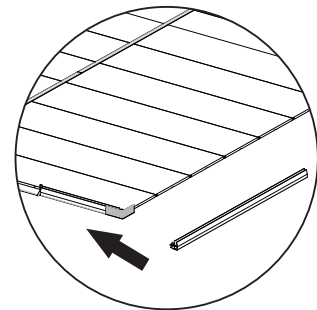
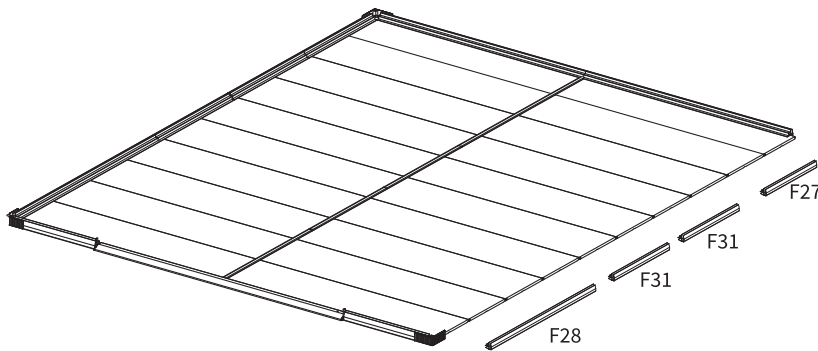
F33(X2)



10



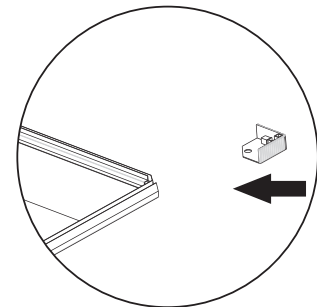
F28 (X1) F27 (X1) F31 (X2)



11



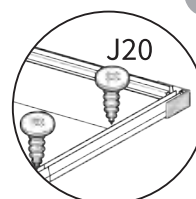
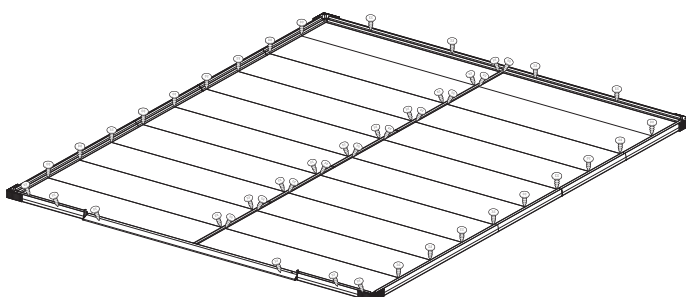
G1(X1)



12



J20(X48)

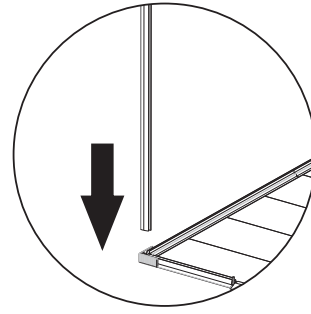
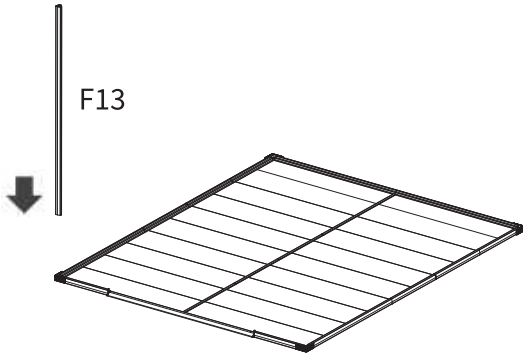


After the floor screws are tightened, proceed to the next installation step.

13



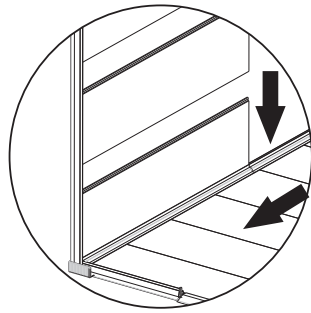
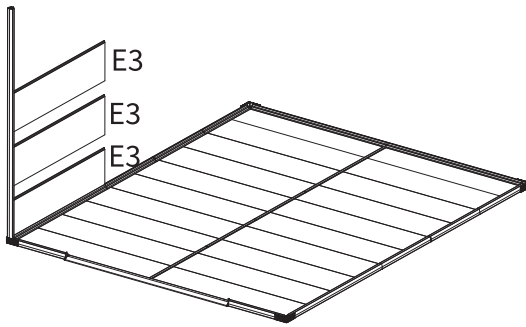
F13(X1)



14



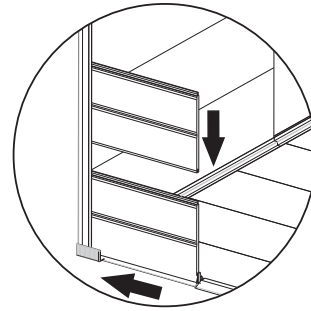
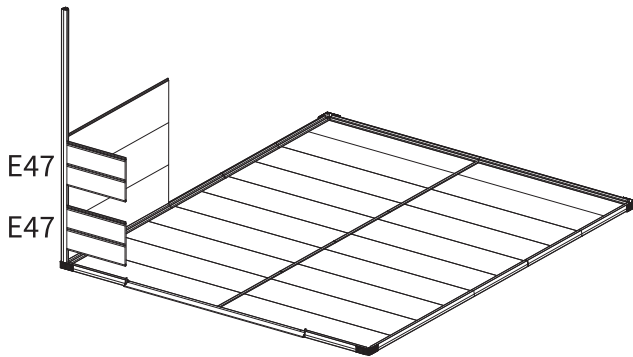
E3 (X3)



15



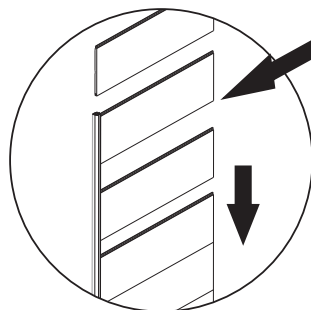
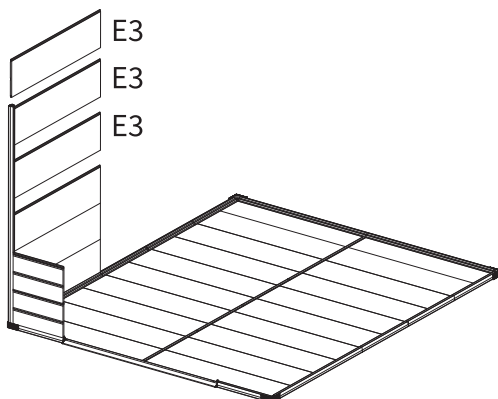
E47(X2)




16

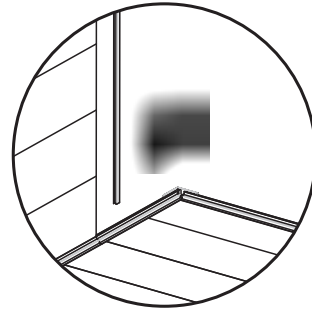
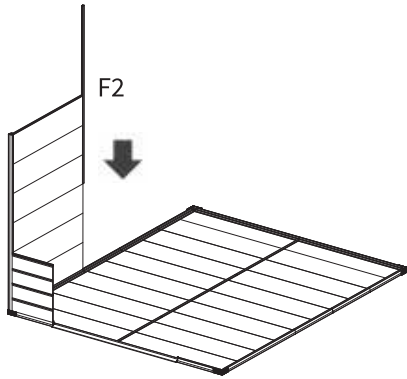


E3 (X3)




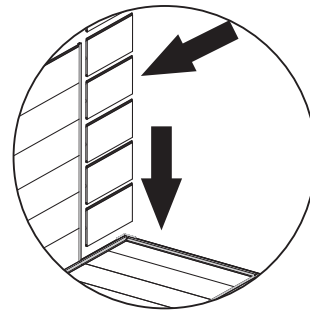
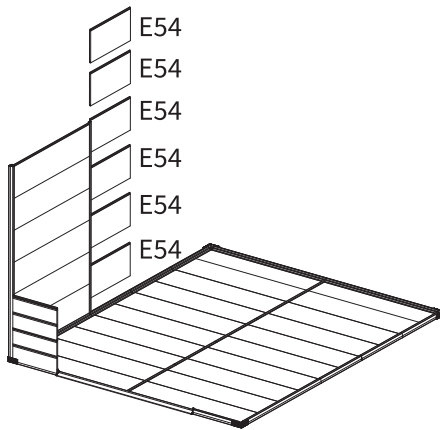
17

F2(X1) 




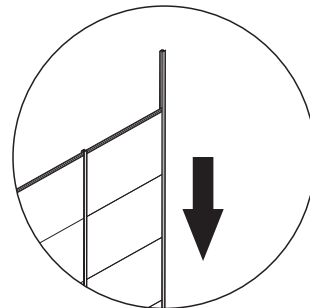
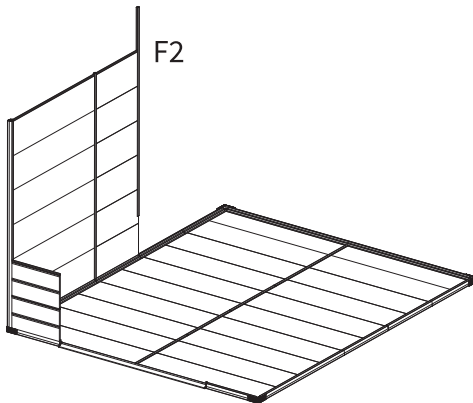
18

E54 (X6) 

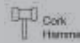
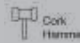


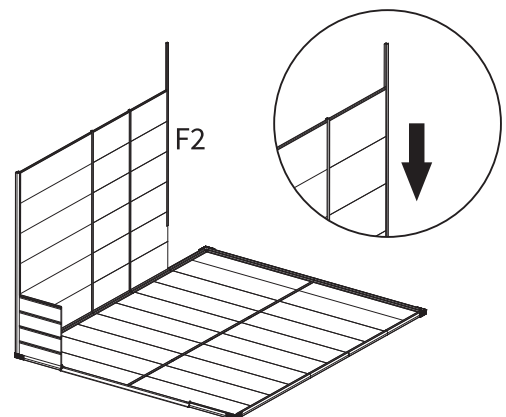
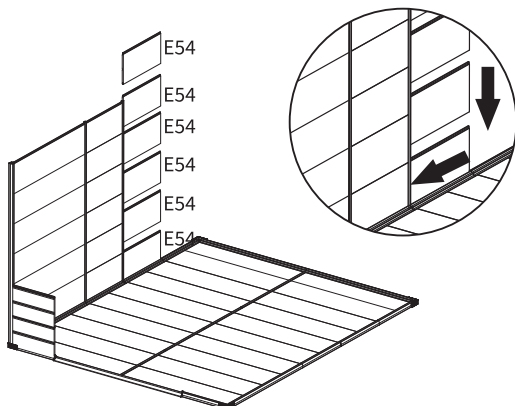
19

F2(X1) 



20

E54 (X6)  F2 (X1) 



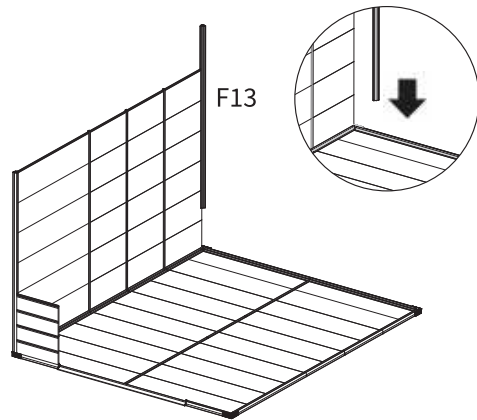
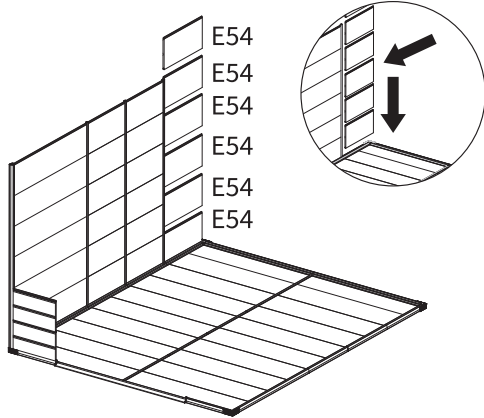
21



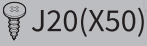
E54(X6)



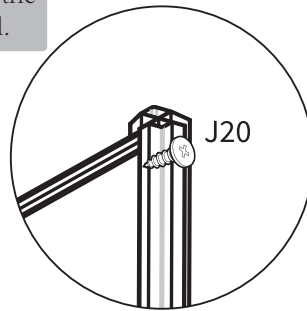
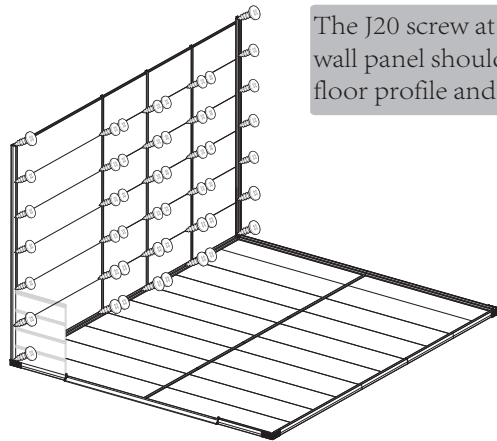
F13(X1)



22



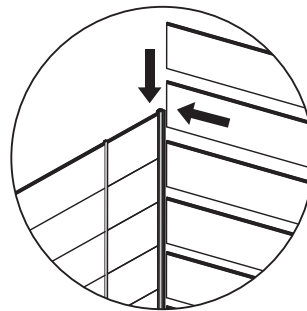
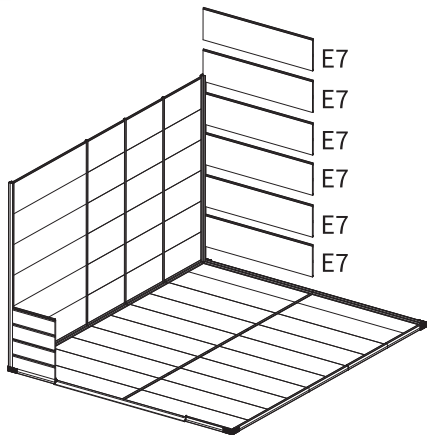
J20(X50)



23



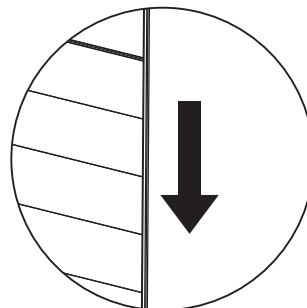
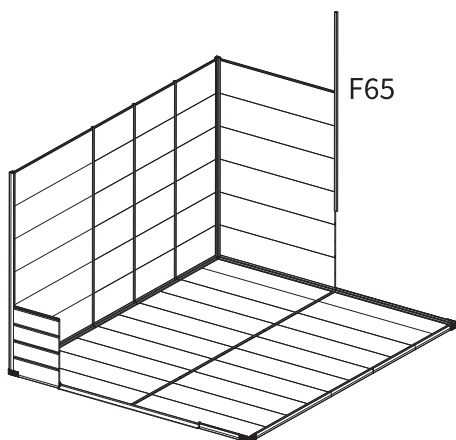
E7(X6)



24



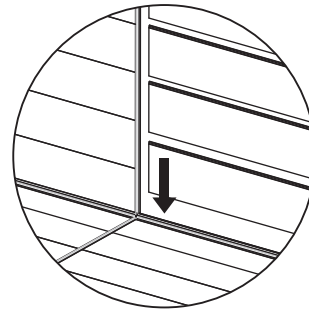
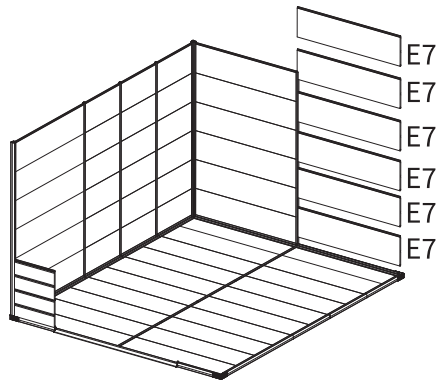
F65(X1)



25



E7(X6)



26

E68-L(X1)

E70-L(X1)

F8(X1)

E68-R(X1)

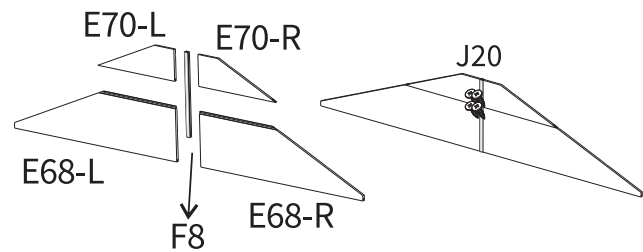
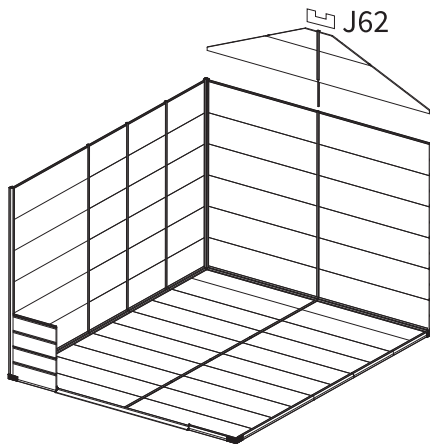
E70-R(X1)

J20(X4)

J62(X1)



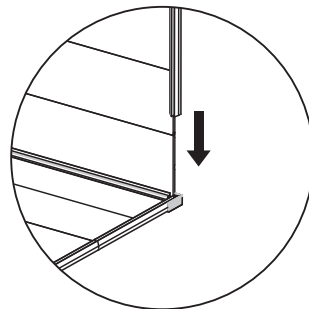
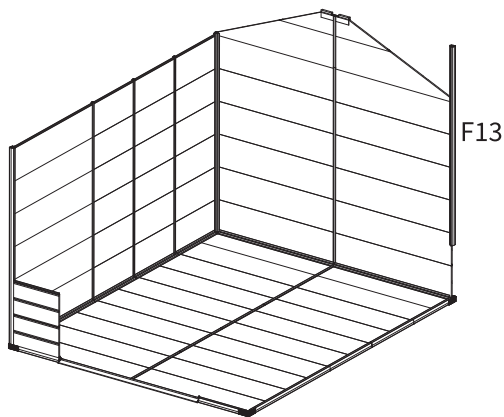
Electric Drill



27



F13(X1)

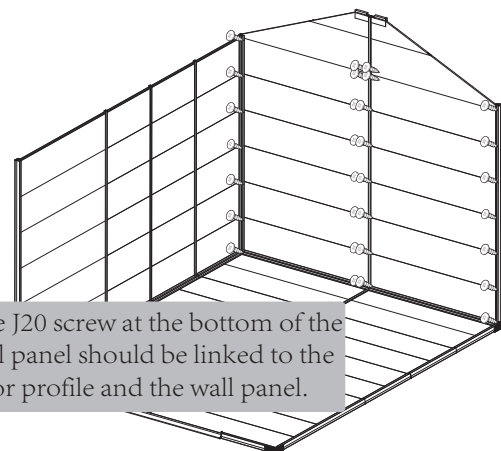


28

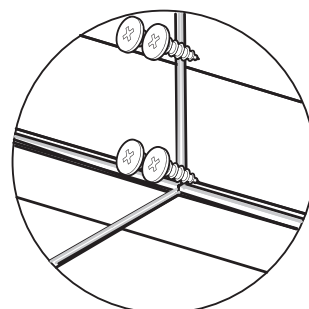
J20(X30)



Electric Drill



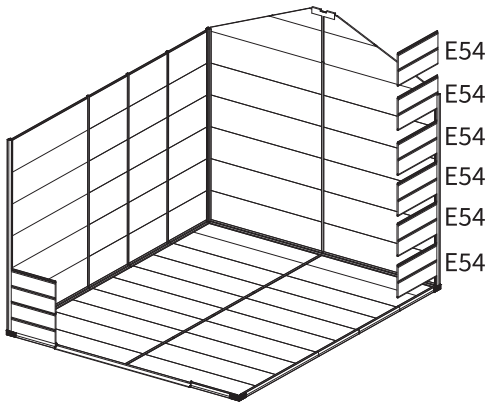
The J20 screw at the bottom of the wall panel should be linked to the floor profile and the wall panel.



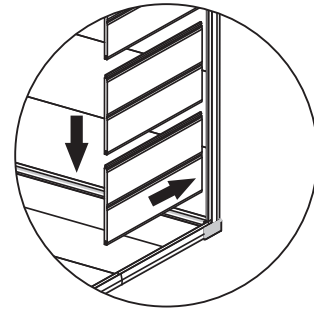
29



E54(X6)



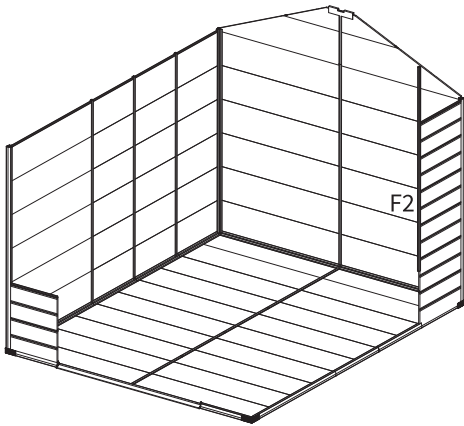
E54
E54
E54
E54
E54
E54



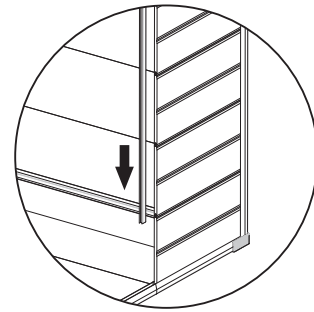
30



F2(X1)



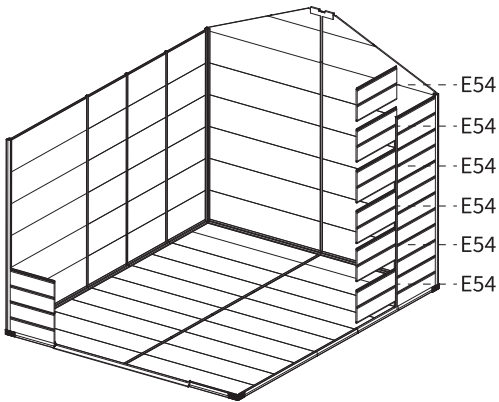
F2



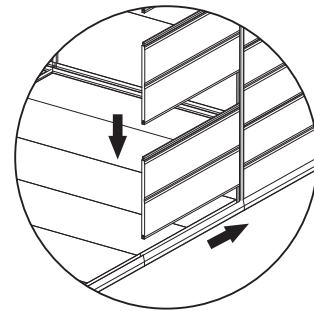
31



E54(X6)



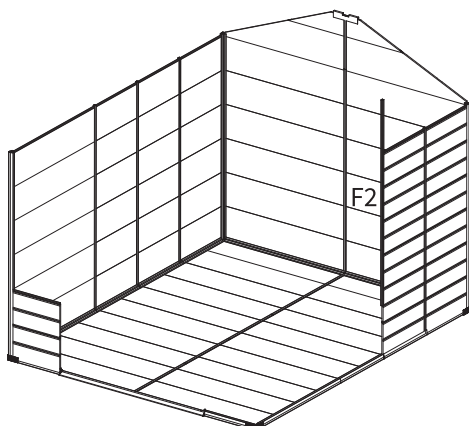
E54
E54
E54
E54
E54
E54



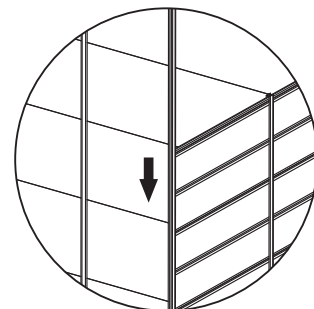
32



F2(X1)



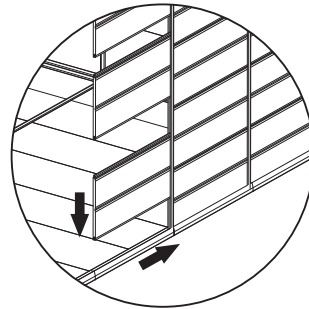
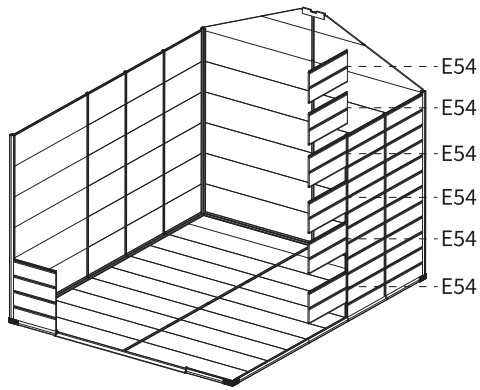
F2



33



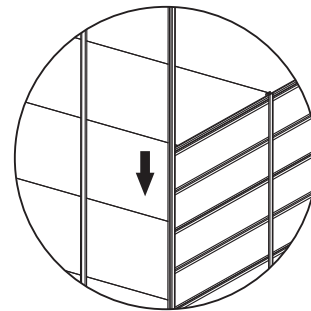
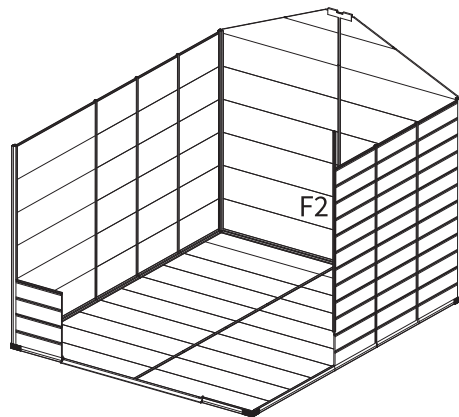
E54(X6)



34



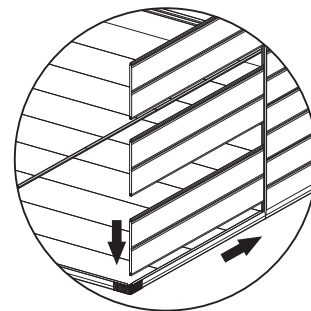
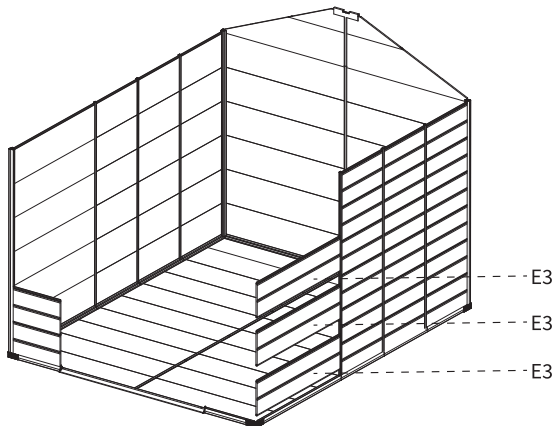
F2(X1)



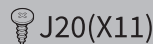
35



E3(X3)



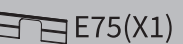
36



J20(X11)



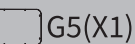
E74(X1)



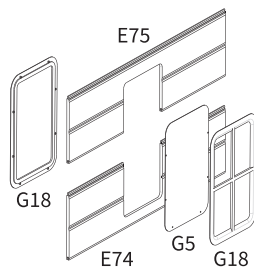
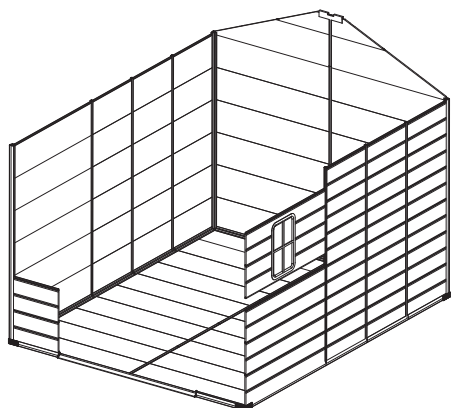
E75(X1)



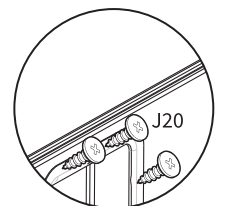
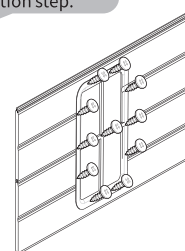
G18(X1)



G5(X1)



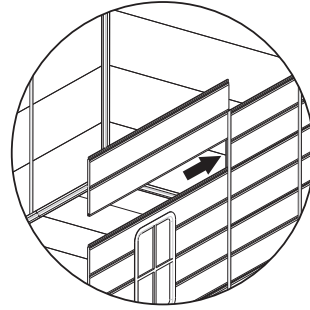
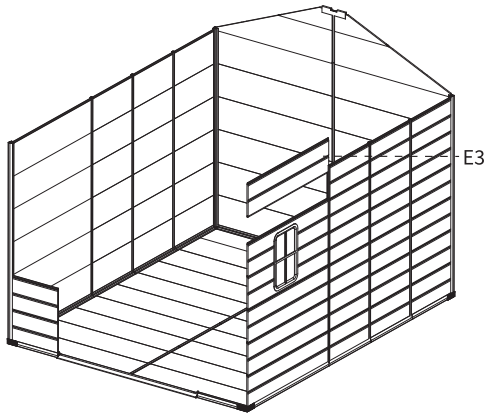
After the window screws are tightened, proceed to the next installation step.



37



E3(X1)



38

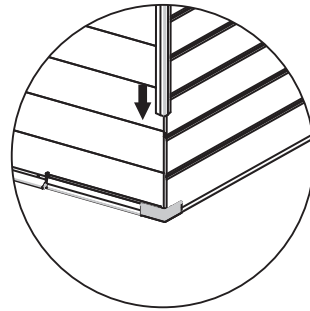
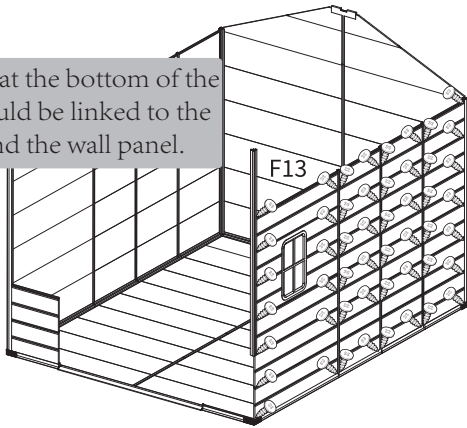


F13(X1)



J20(X50)

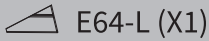
The J20 screw at the bottom of the wall panel should be linked to the floor profile and the wall panel.



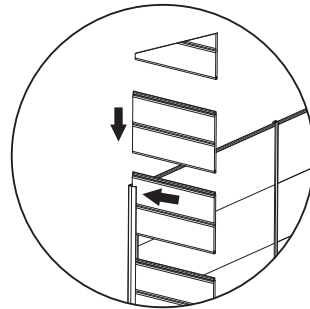
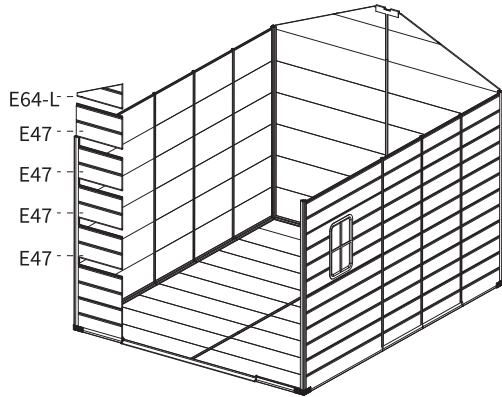
39



E47(X4)



E64-L(X1)



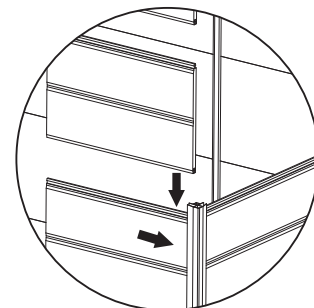
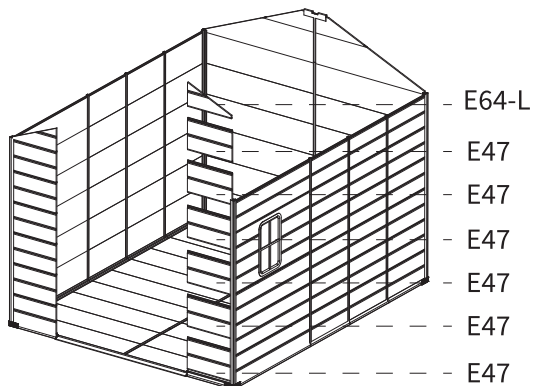
40



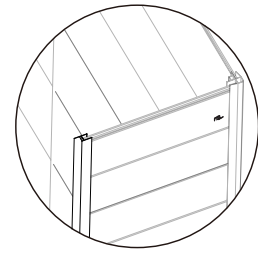
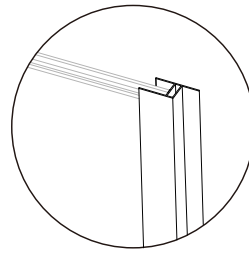
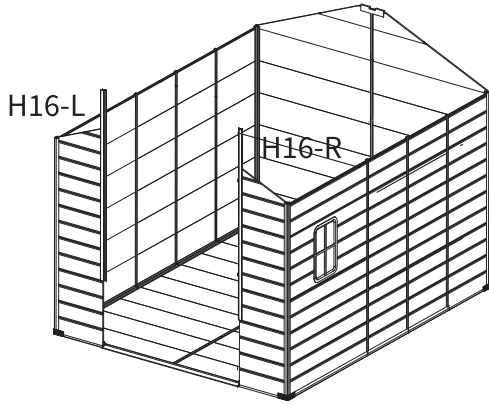
E64-L(X1)



E47(X6)

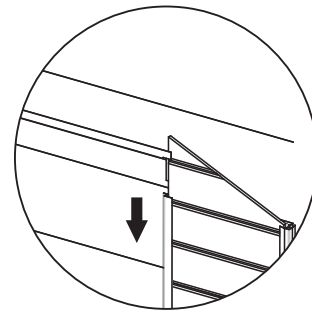
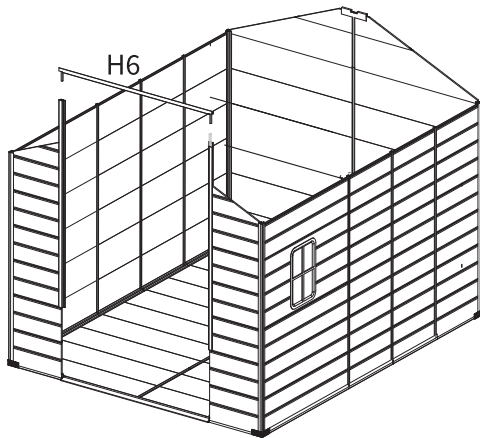


41 H16-L(X1) H16-R(X1) 

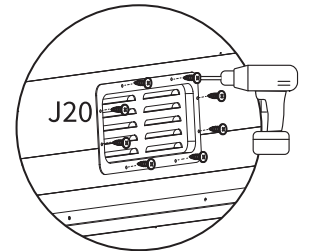
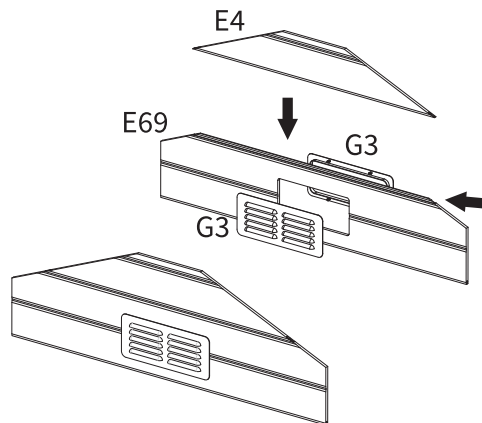
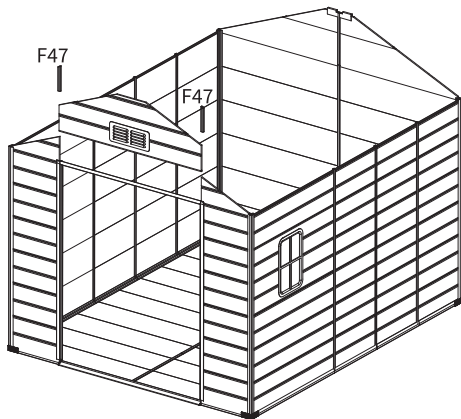


H16-L and H16-R have a baffle facing the inside and without a baffle facing the outside.

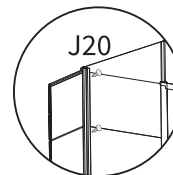
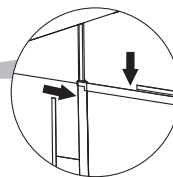
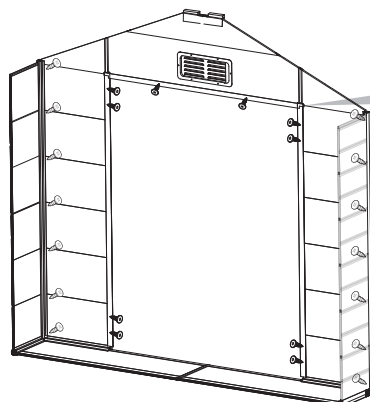
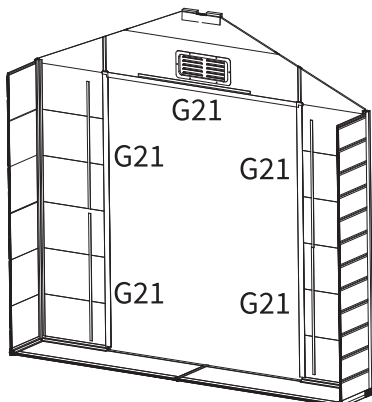
42 H6(X1) 



43 E69(X1) E4(X1) G3(X1) J20(X8) F47(X2) 

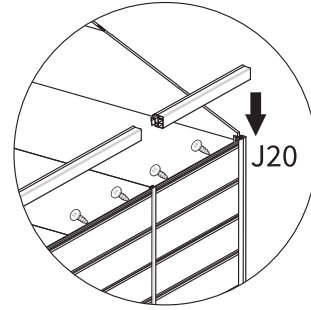
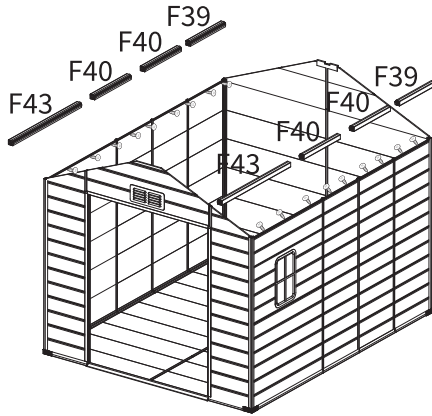






44 G21(X5) J20(X14) J21(X10)  

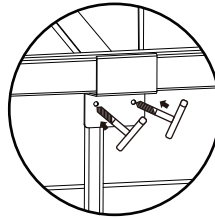
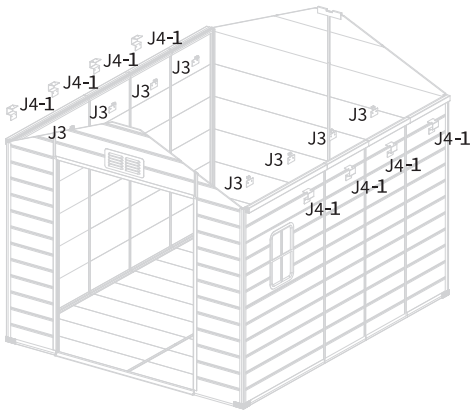


From inside the tool room, insert the door frame clip G21 into the gaps on all three sides of the door frame to maintain its stability.

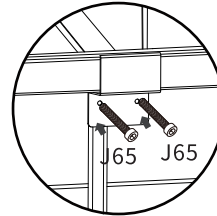
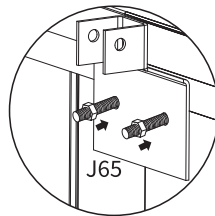
45 F43(X2) F40(X4) F39(X2) J20(X18) 





46 J3(X8) J4-1(X8) J65(X16)    

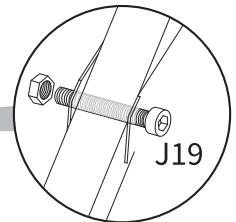
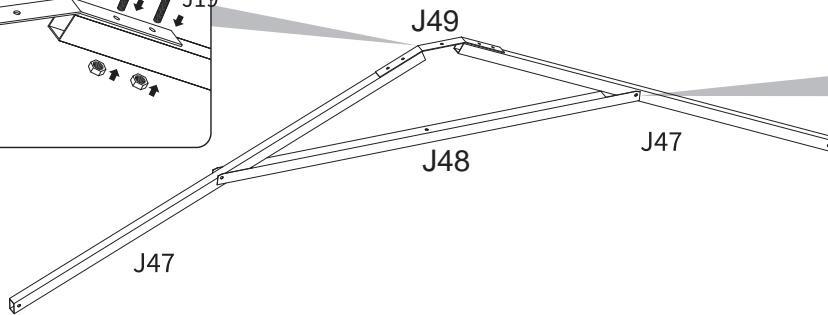
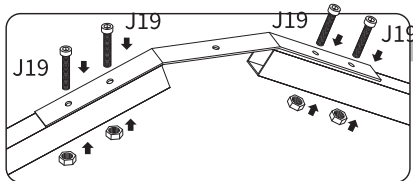


First, drill two holes on each side of the tool room, then install J3 and J4.

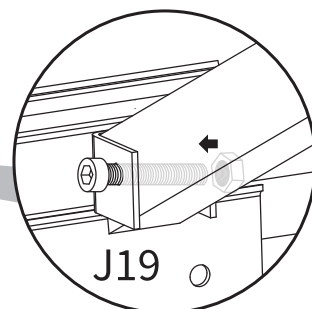
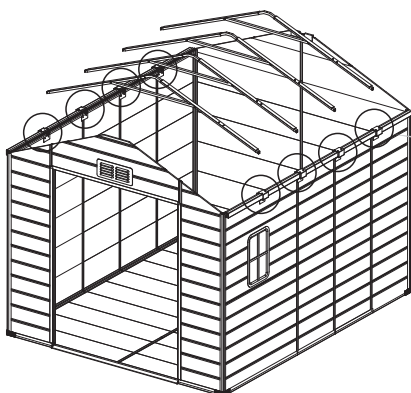


The screw passes through the holes of J3 and J4 and is locked with a nut.

47 J19(X24) J47(X8) J48(X4) J49(X4)  

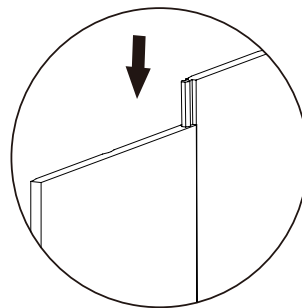
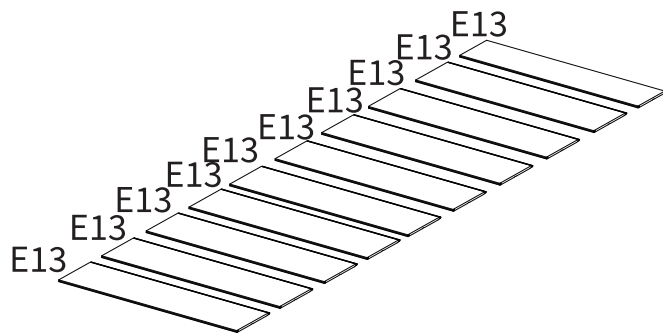


48 J19(X8)   

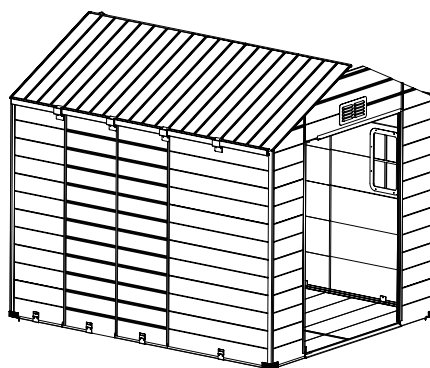
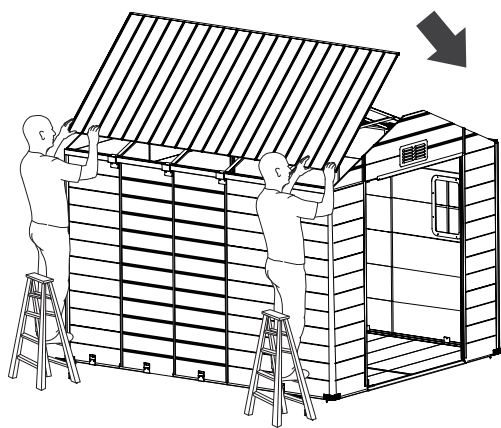


49



E13(X10)   

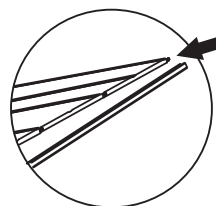
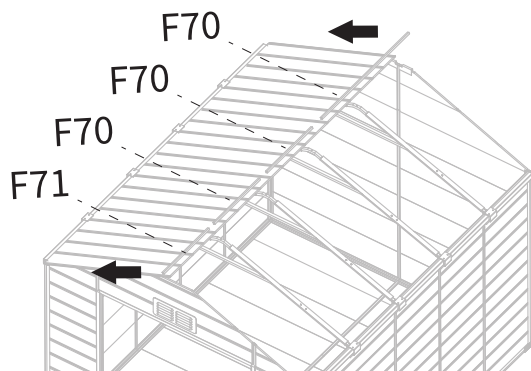


Roof installation method



50

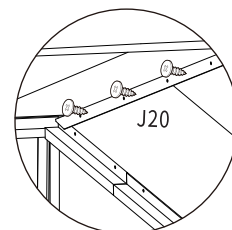
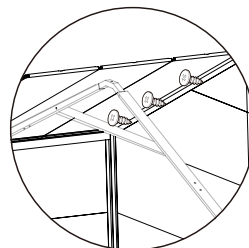
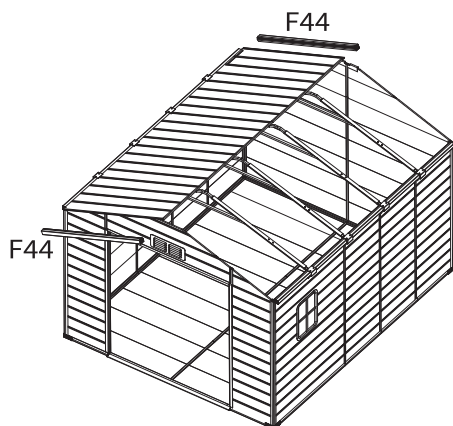
F71(X1) F70(X3)  



Install it to the left facing the gate

51

F44(X2)  J20(X6)  



Install F44 first, then screw it into place from the inside to lock the position.

52



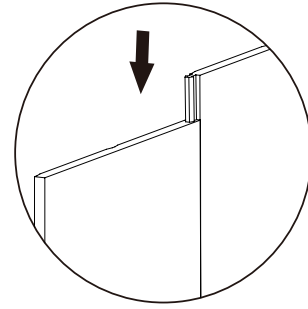
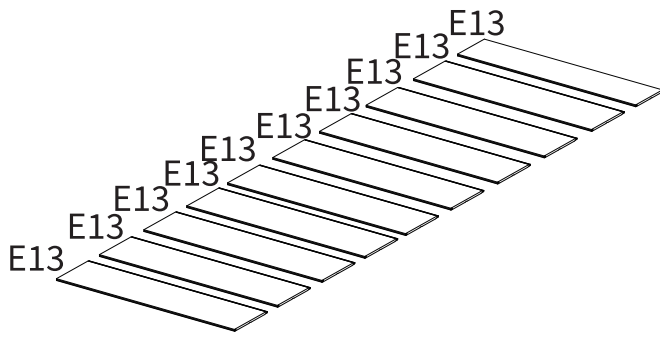
E13(X10)



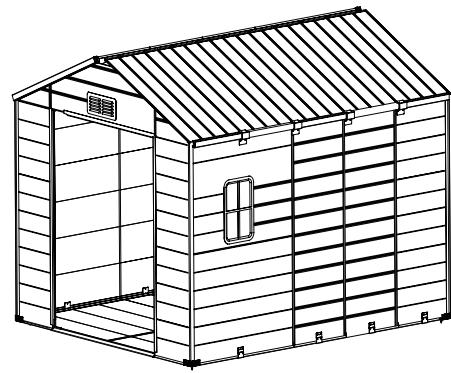
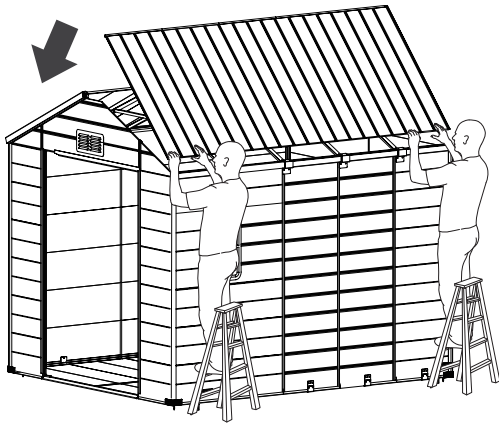
Ladder



Scraper



Roof installation method



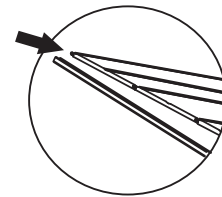
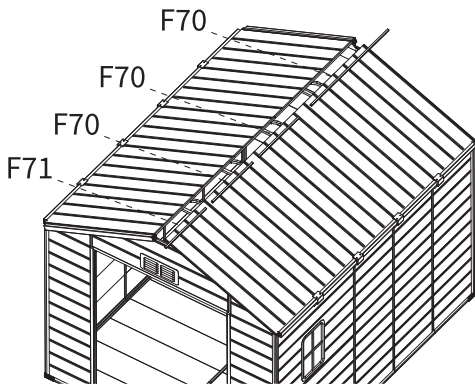
53



F71(X1) F70(X3)

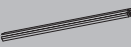


Ladder



Install it on the right side facing the gate.

54



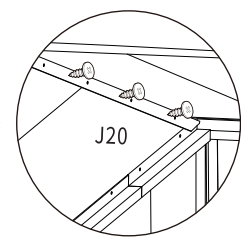
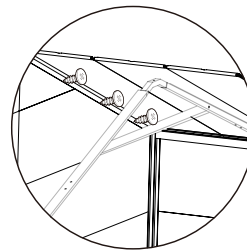
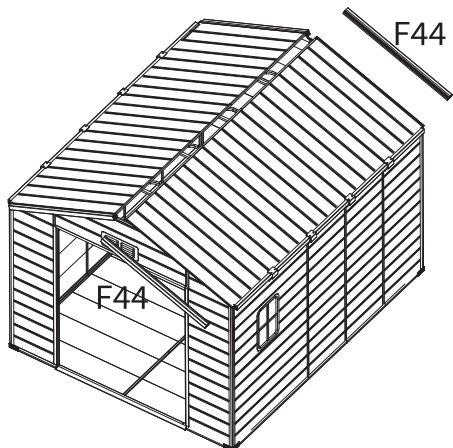
F44(X2) J20(X6)



J20(X6)



Ladder



Install F44 first, then screw it into place from the inside to lock the position.

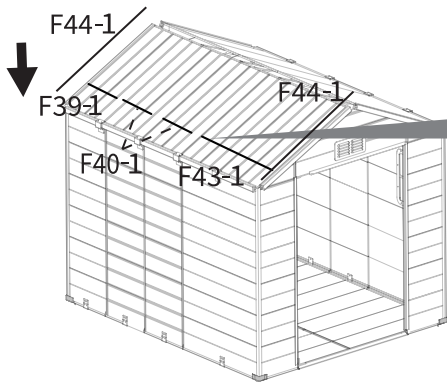
55

F43-1(X1)

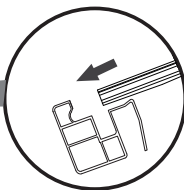
F39-1(X1)

F40-1(X2)

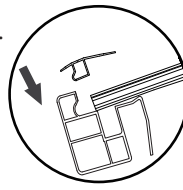
F44-1(X2)



1.



2.



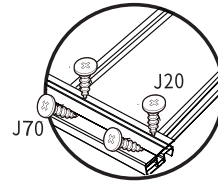
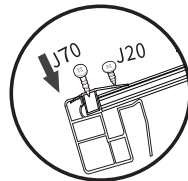
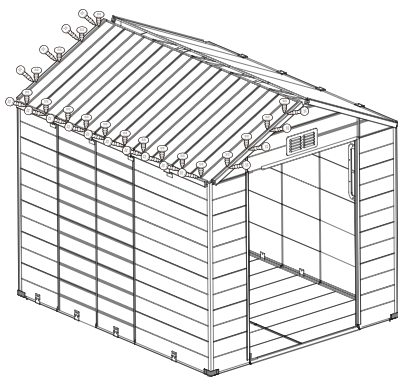
Install it to the left facing the gate

Put the board first, leave some space, put a pressure bar on it, and then press it tightly.

56



•J70(X18)•J20(X18)



The screw on the inside is J20 and the screw on the outside is J70.

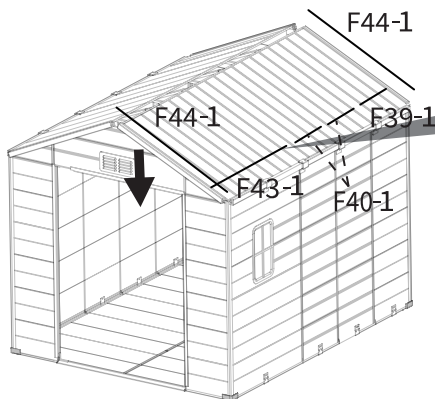
57

F43-1(X1)

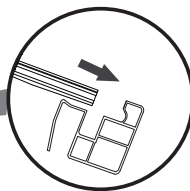
F39-1(X1)

F40-1(X2)

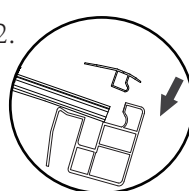
F44-1(X2)



1.



2.



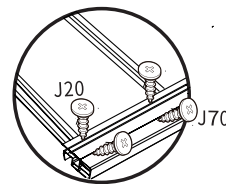
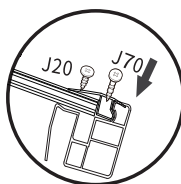
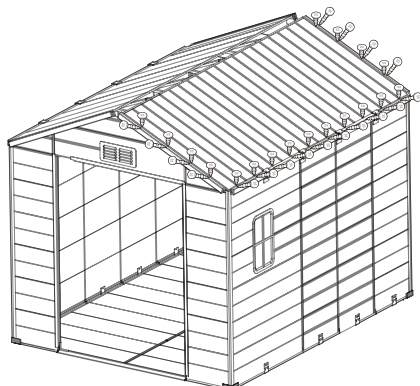
Install it on the right side facing the gate.

Put the board first, leave some space, put a pressure bar on it, and then press it tightly.

58



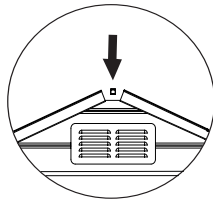
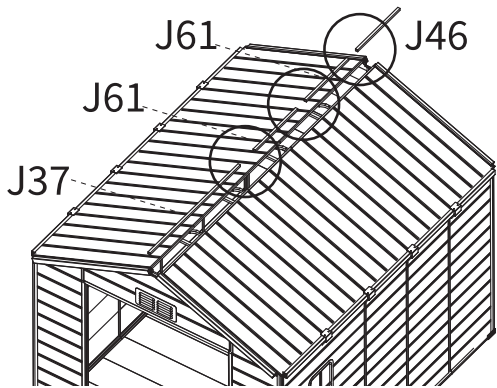
•J70(X18)•J20(X18)



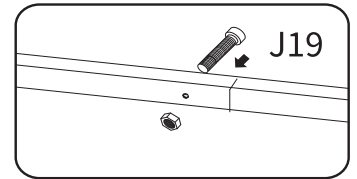
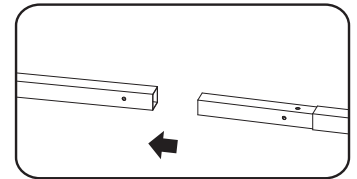
The screw on the inside is J20 and the screw on the outside is J70.

59

J37(X1) J61(X2) J46(X1) J19(X3) Cork Hammer Small Wrench Allen Key Ladder

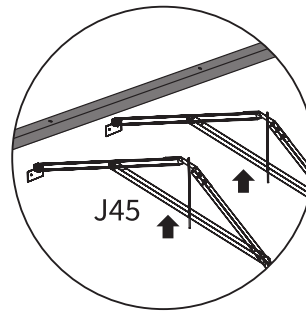
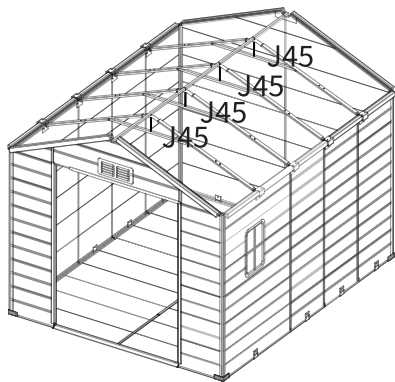


The hole installed on the middle alignment load-bearing rod



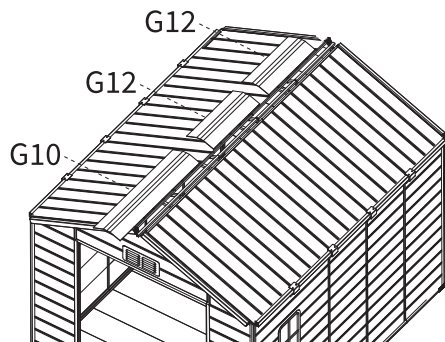
60

J45(X4) Cork Hammer Ladder



61

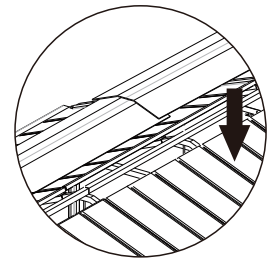
G10(X1) G12(X2) Cork Hammer Ladder



The sun panel with transparent glue is placed on the top and not on the bottom.

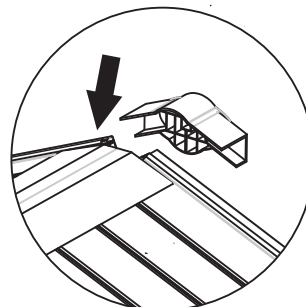
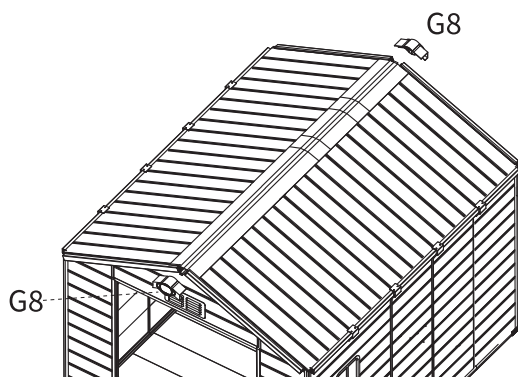


BE CAREFUL
The film needs to be torn off before installation

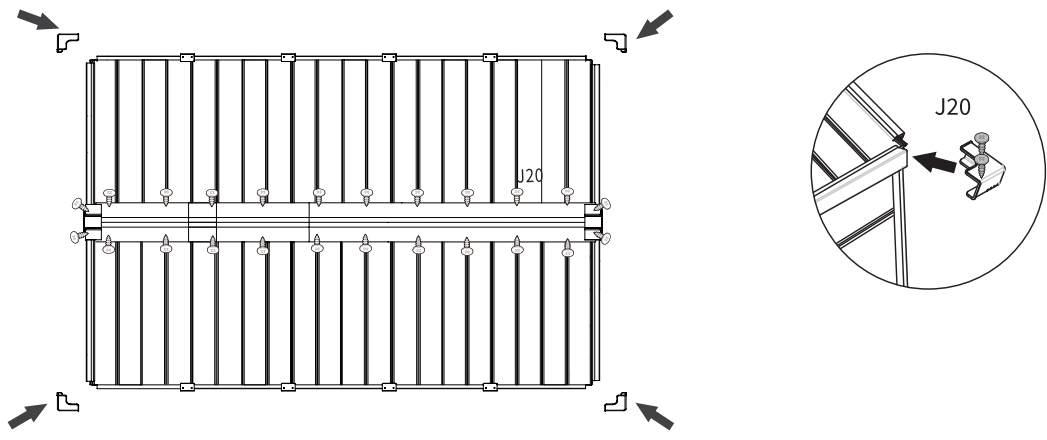


62

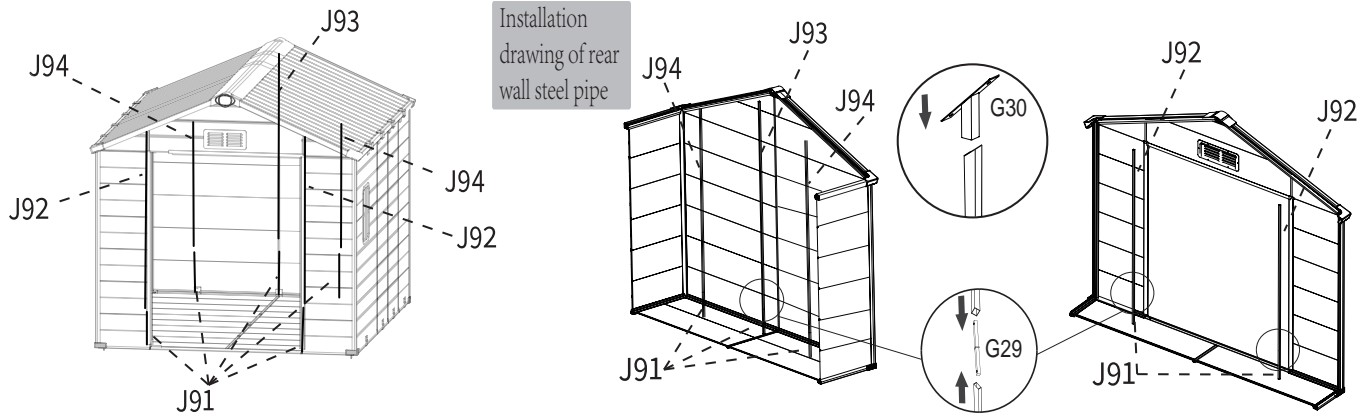
G8(X2) Ladder



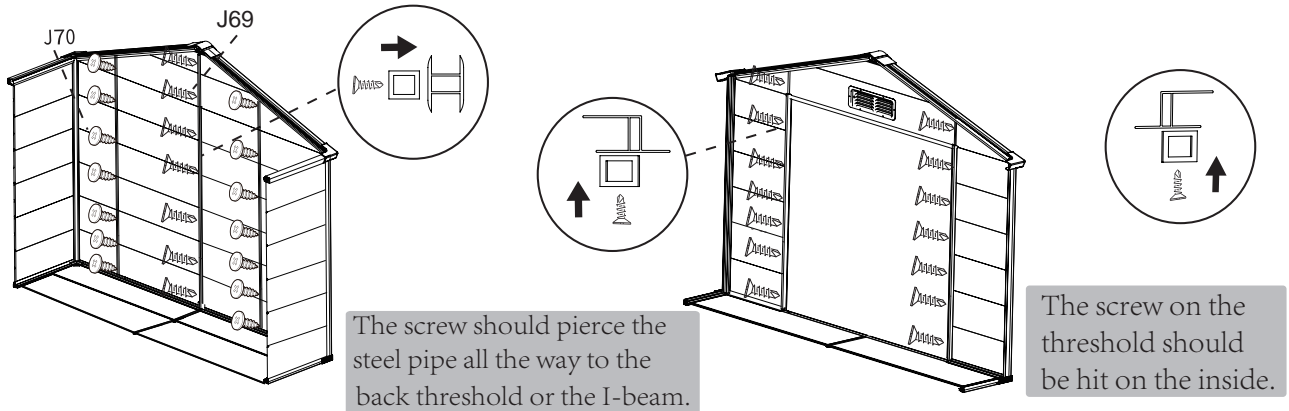
63 G9(X4) J20(X32)



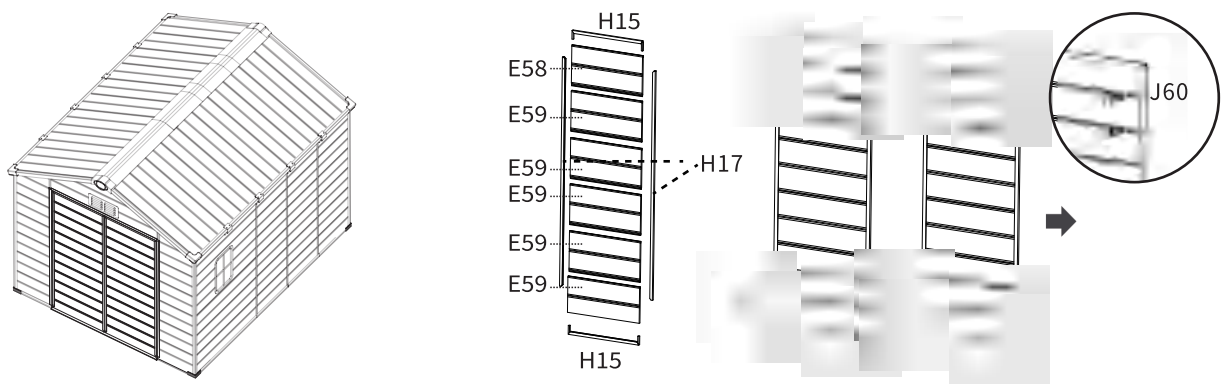
64 J93(X1) J92(X2) J91(X5) J94(X2) G29(X5) G30(X4)



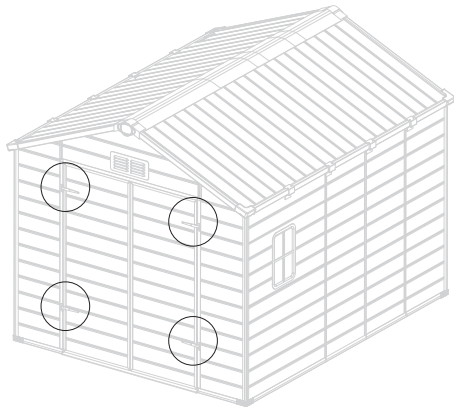
65 J69(X21) J70(X14)



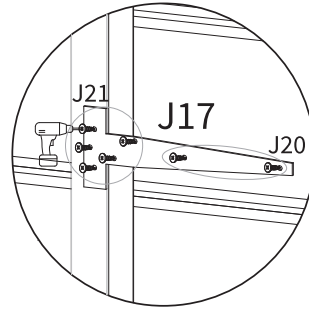
66 E58(X2) E59(X10) J60(X16) H15(X4) H17(X4)



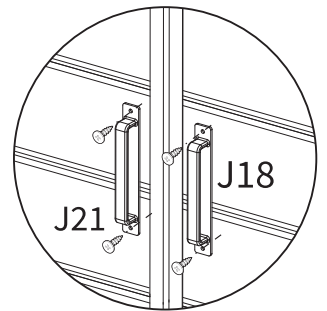
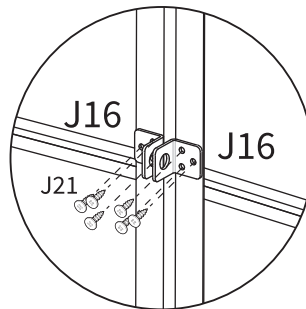
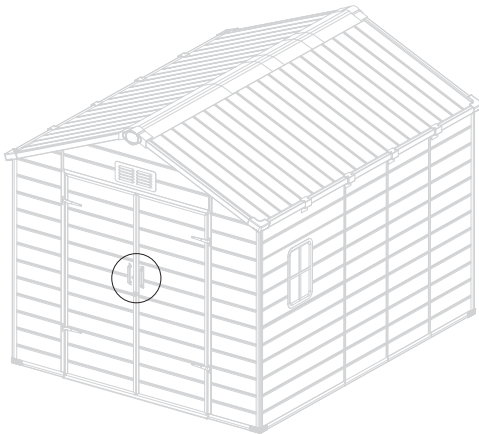
67 J17(X4) J21(X20) J20(X8) Electric Drill



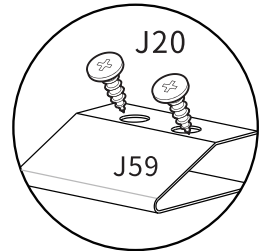
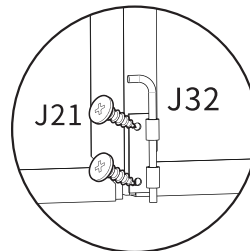
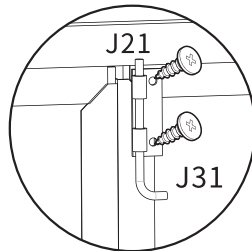
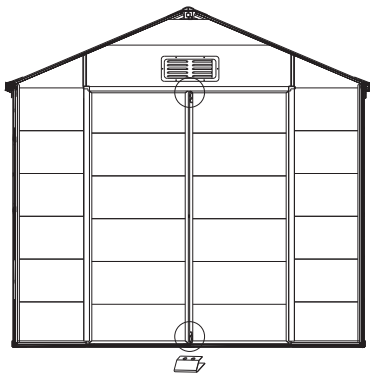
Make sure that it is parallel to the ground. Use a level meter to measure the same position on both sides before punching holes.



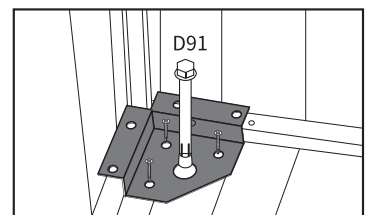
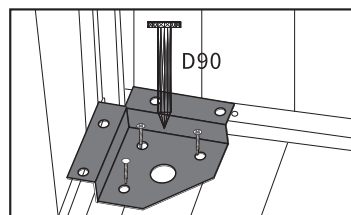
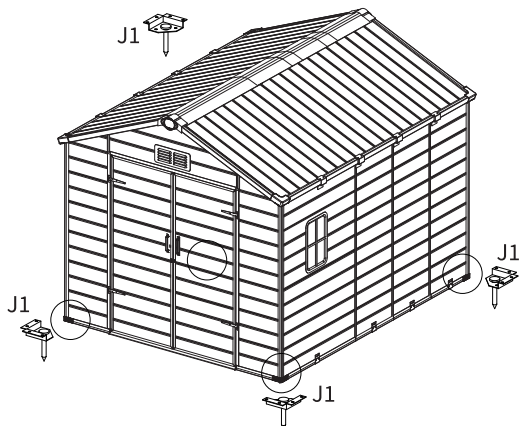
68 J16(X2) J21(X10) J18(X2) Electric Drill



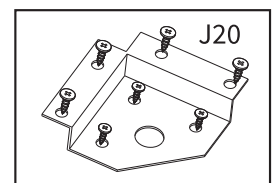
69 J31(X1) J32(X1) J59(X1) J21(X4) J20(X2) Electric Drill

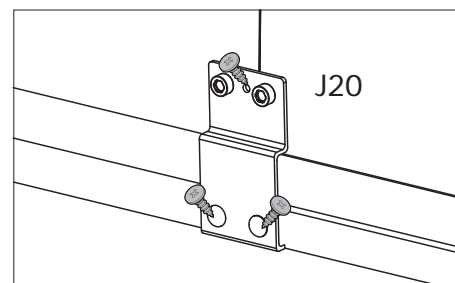
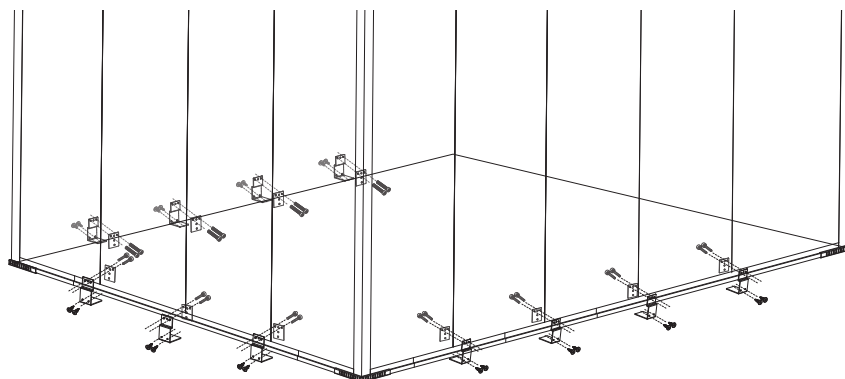
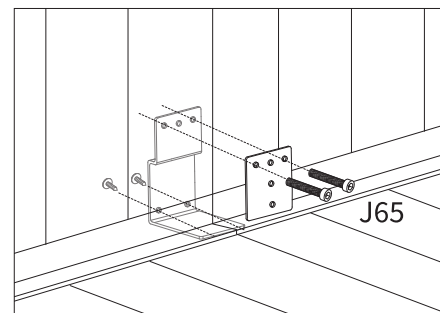
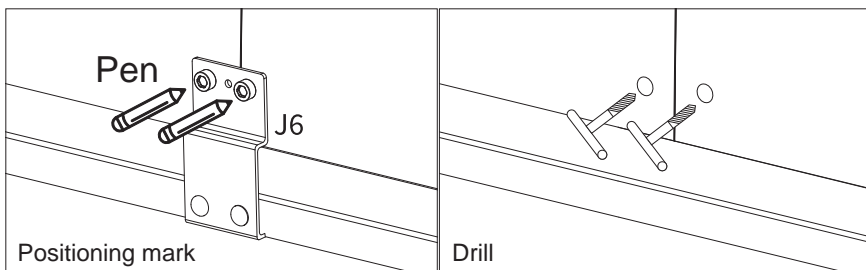


70 J1(X4) D90(X4) D91(X4) J20(X28) Electric Drill

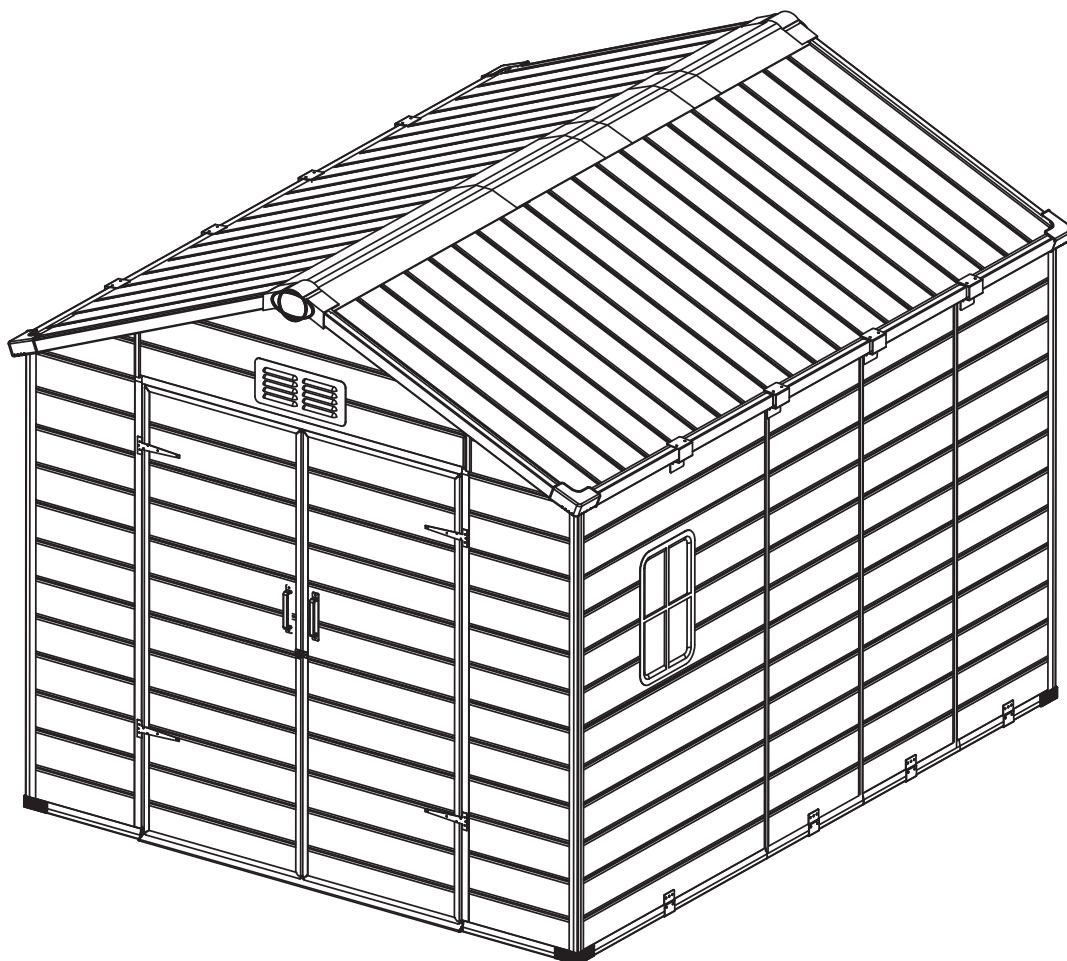


Install separately at the four corners inside the house





Bottom reinforcement, effective wind resistance



Key Installation Precautions

Adhering to safety and preparation steps is crucial for a successful installation.

Personal Safety

Wear protective gloves during assembly.

Personnel & Assistance

Assembly requires 2–3 people. Ensure the work area is clear of children and pets during the process.

Foundation & Securing

The plastic shed must be anchored to a stable base (not included) to prevent damage.

Product Limitations

This structure is designed for storage purposes only—not for habitation. Do not store hot items (e.g., recently used grills) or volatile chemicals inside.

Maintenance After Installation

Proper maintenance will extend the life of your plastic tool shed.

Cleaning

Clean the shed with a cloth and water.

Debris Removal

Remove leaves from the roof promptly to prevent staining. In snowy conditions, clear snow regularly to avoid structural damage from heavy load.

General Care

Keep the door closed and locked when not in use to prevent wind damage.

Note: The floor, wall panel and ceiling panel must be screwed, otherwise it will affect the stability of the house.