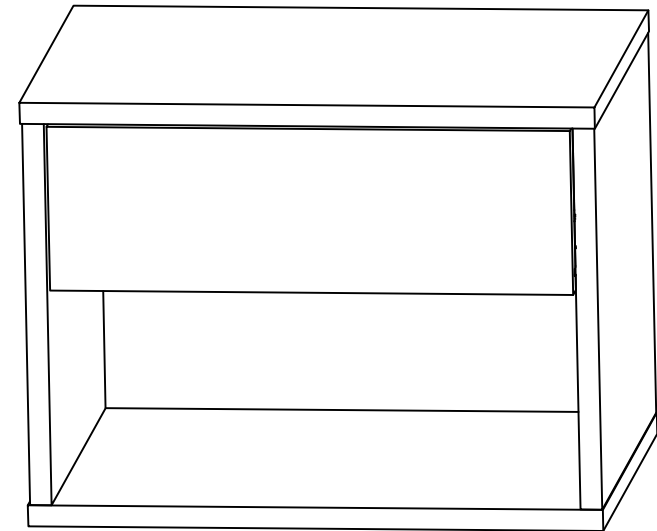


---

# User Manual



## Dear Customer,

Thank you for your purchase.

When you receive the product, please make sure that all the parts are intact.  
Then please browse the entire installation manual before assembly.  
If problems occur unsatisfactorily as follows:

**a. The outer box is damaged.**

**b. The product is damaged / bent / cracked while you open the box.**

**c. The parts / accessories / assembly tools are missing.**

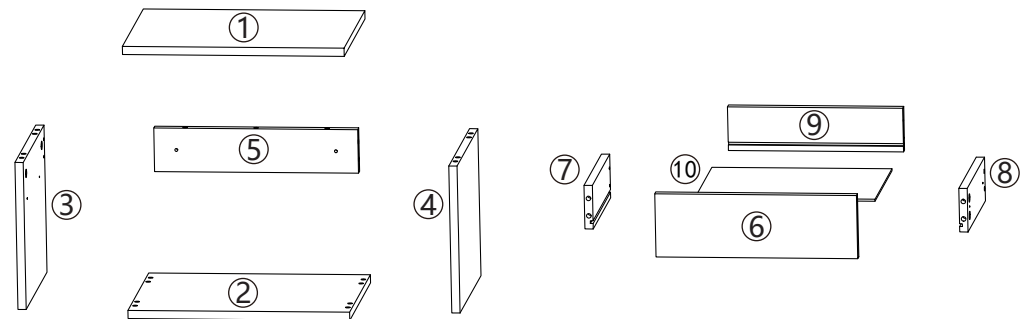
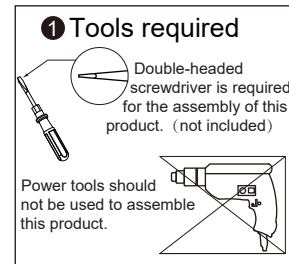
**d. The product is hard to assemble.**

**e. The instructions are not clear and can not be referred to.**

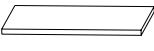
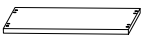

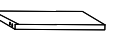
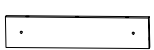

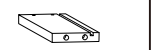


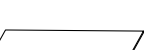
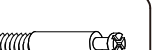

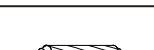
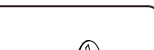
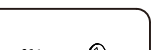



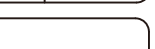
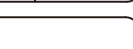
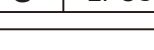
**f. The product has functional problems.**

**g. Other aspects that you are not satisfied with.**

## You need

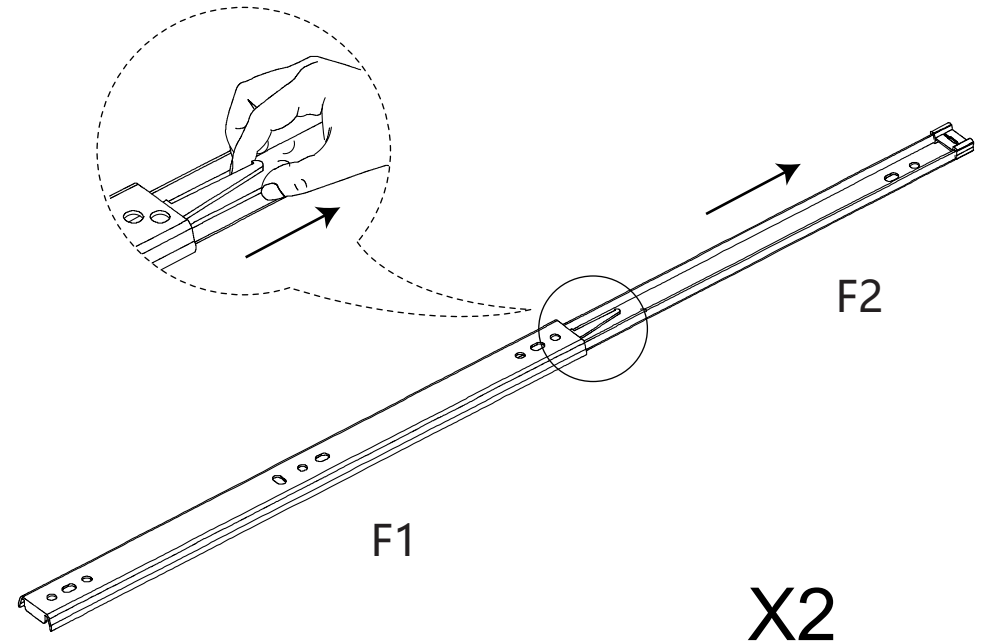
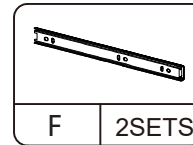


# Hardware List

			
① 1PC	② 1PC	③ 1PC	④ 1PC
			
⑤ 1PC	⑥ 1PC	⑦ 1PC	⑧ 1PC
			
⑨ 1PC	⑩ 1PC	A 14PCS Ø6x35mm	B 14PCS Ø15x12mm
			
C 9PCS Ø8x30mm	D 8PCS M3.5x14mm	E 4PCS M4x35mm	F 2SETS
			
G 2PCS M4x45mm	H 2SETS	J 1PC	K 4PCS M7x40mm
			
L 1PC M4			

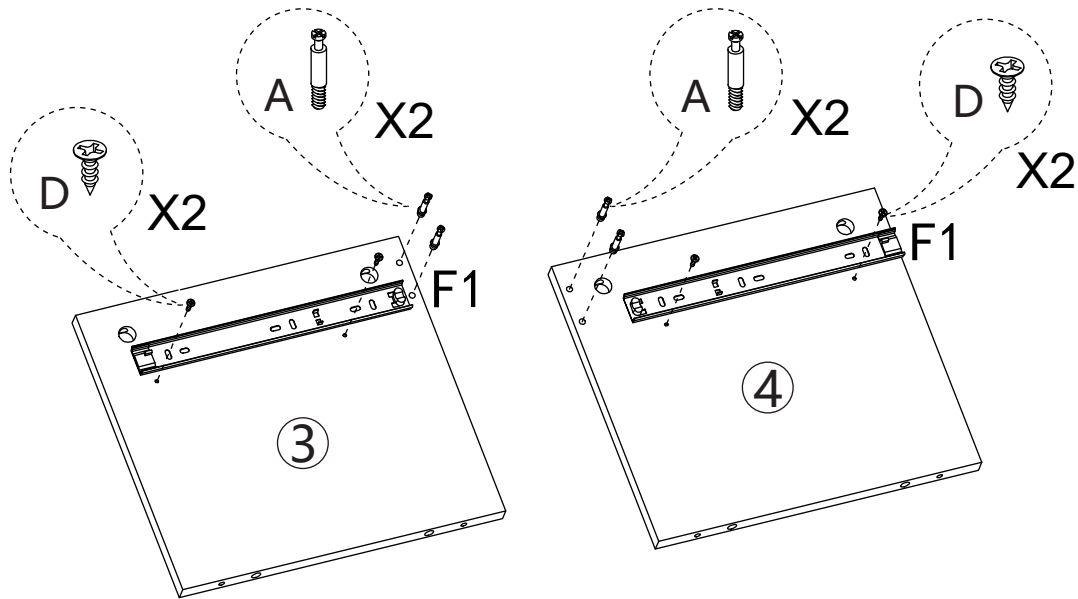
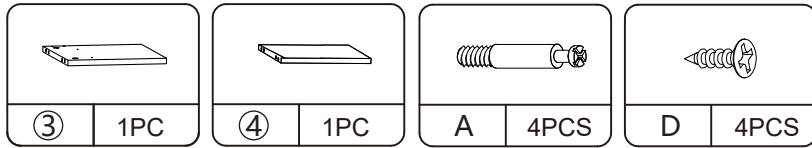
**!** Check the package contents before getting started !

## STEP 1



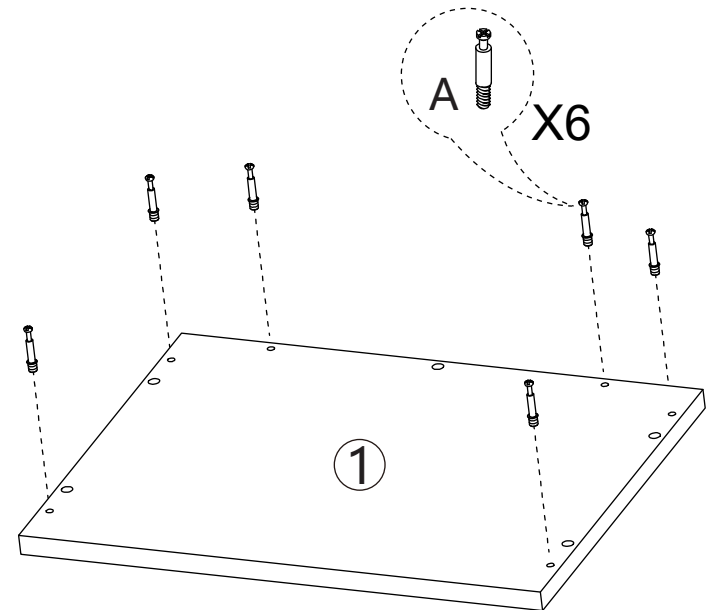
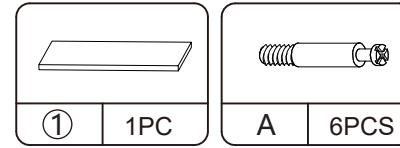
PRODUCT ASSEMBLY

STEP 2

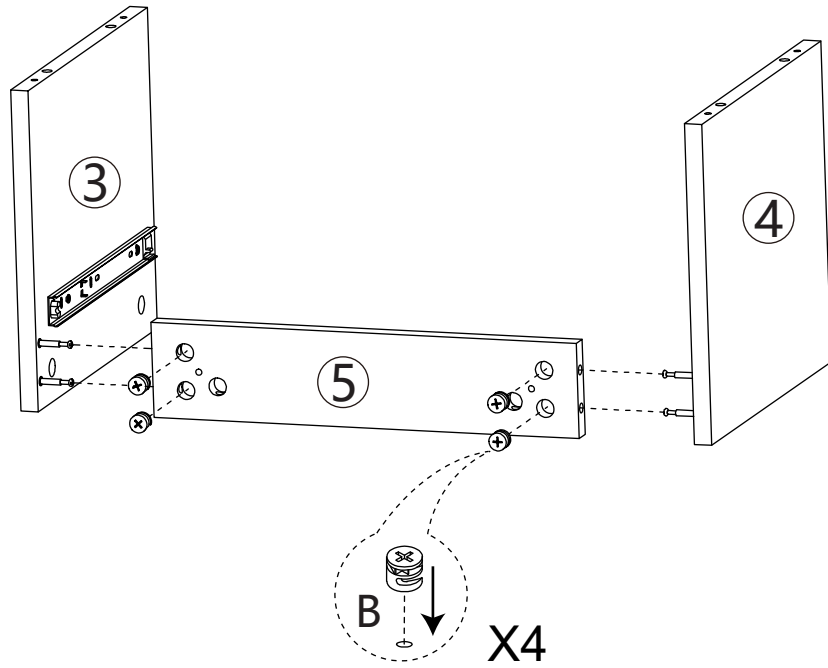
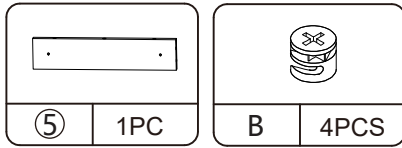


PRODUCT ASSEMBLY

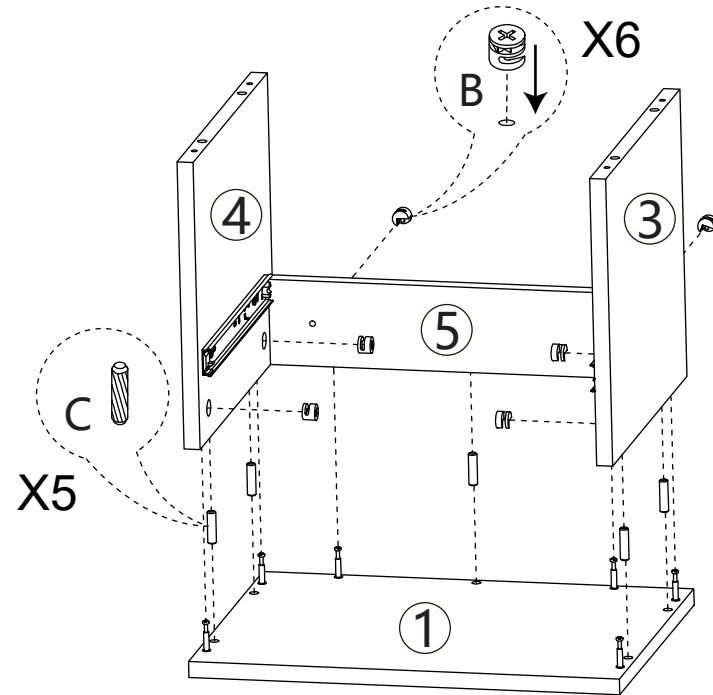
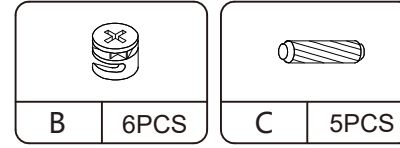
STEP 3



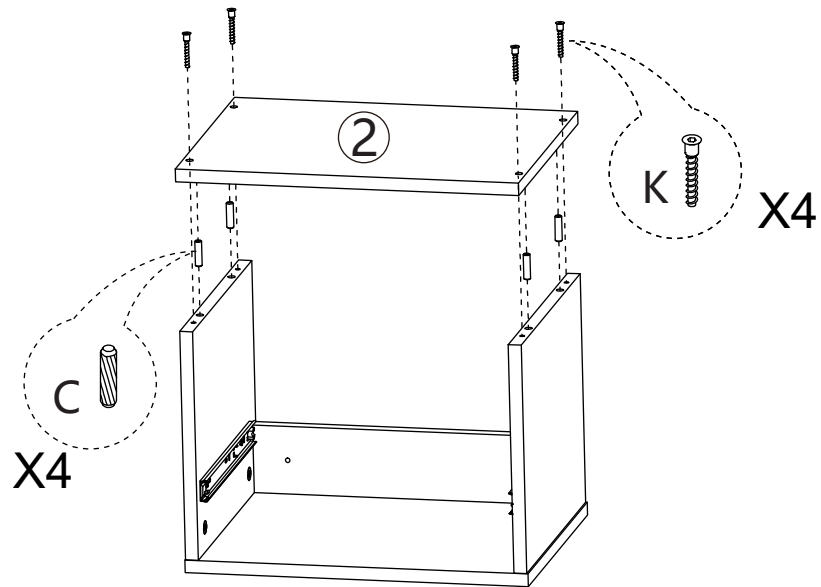
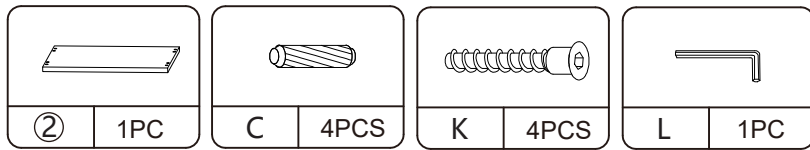
### STEP 4



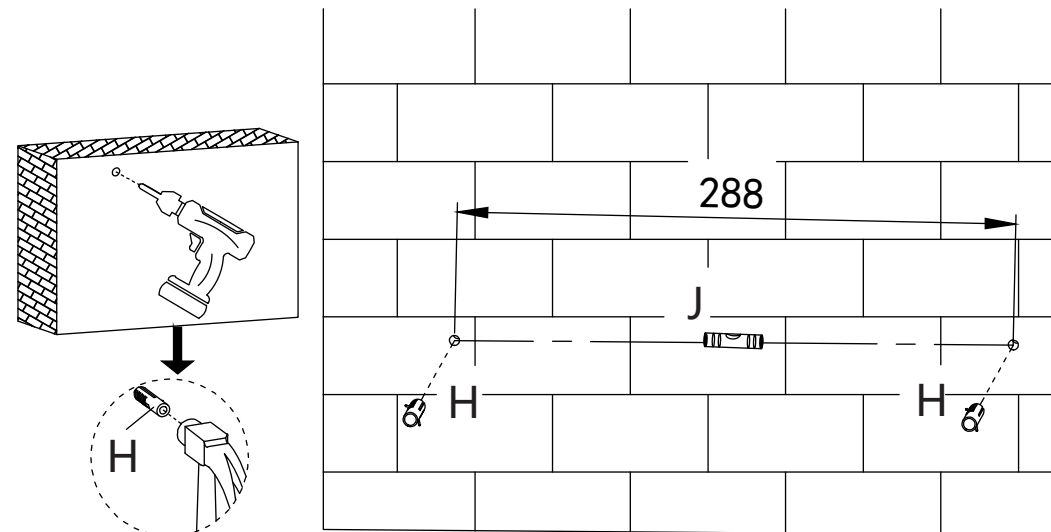
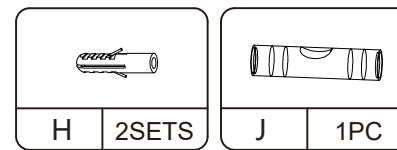
### STEP 5



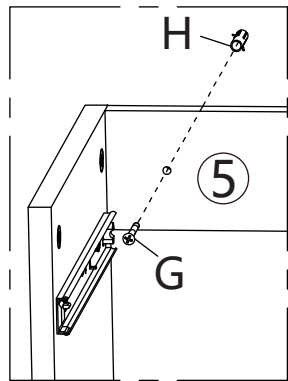
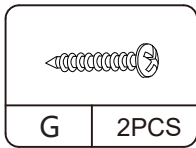
### STEP 6



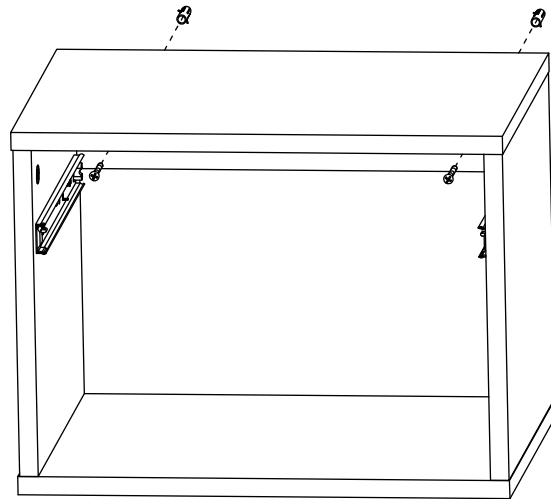
### STEP 7



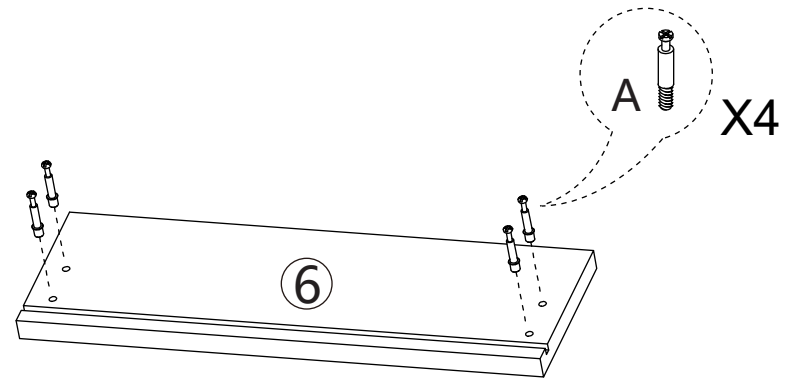
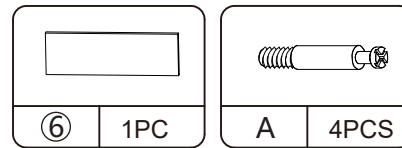
### STEP 8



X2

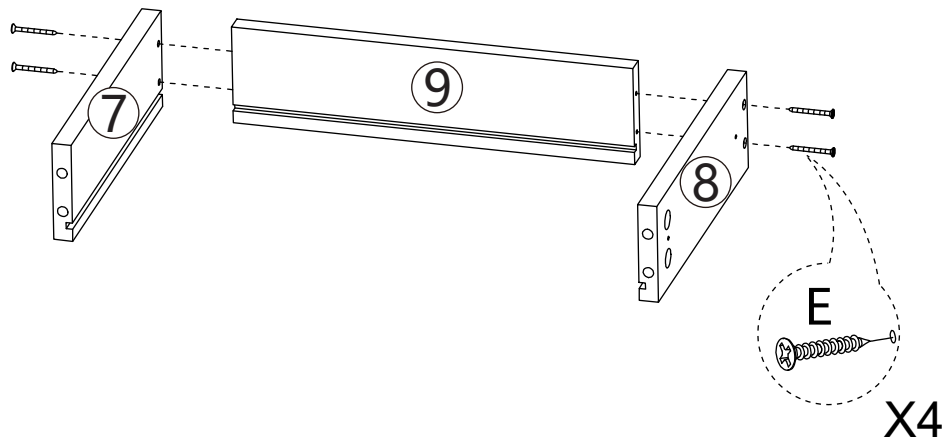
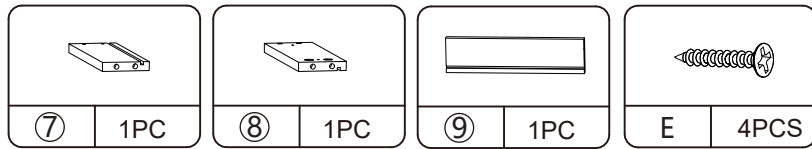


### STEP 9

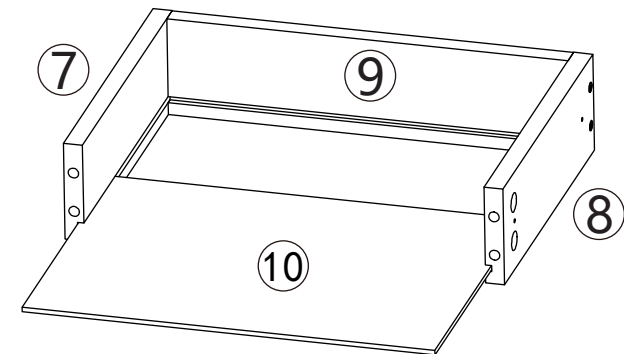
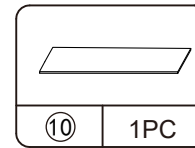


X4

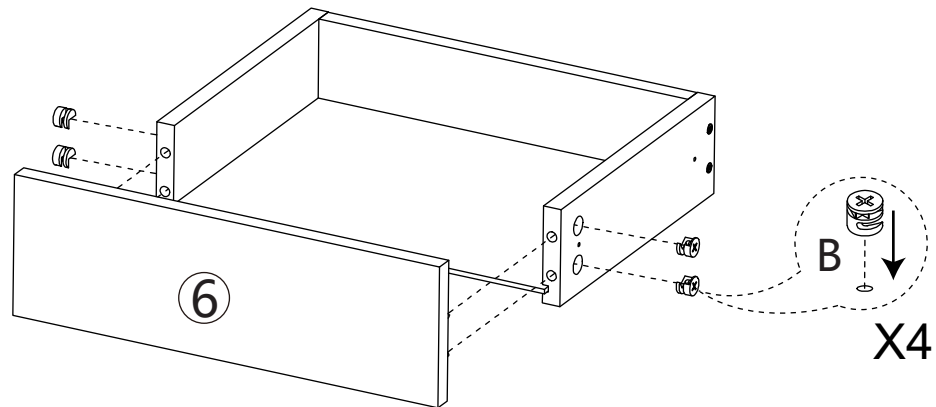
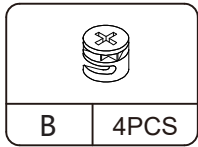
### STEP 10



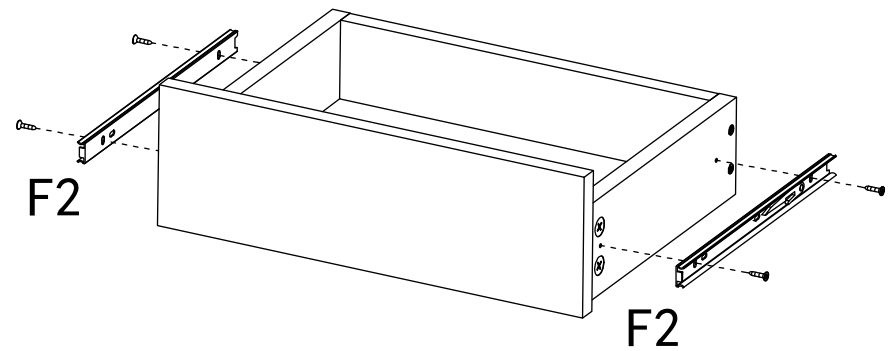
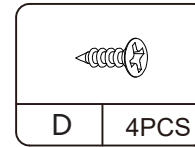
### STEP 11



### STEP 12



### STEP 13



**STEP 14**

