

Trouble shooting:

Missing / Wrong / Broken parts and installation issues



Send email with your question, pic and order



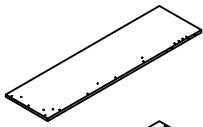
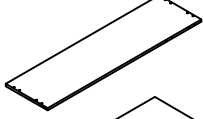




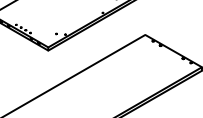
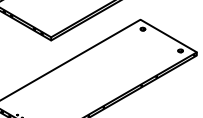
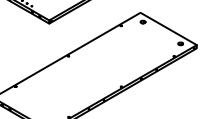
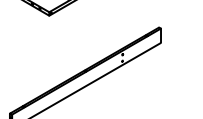
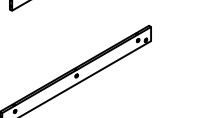
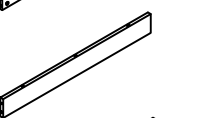
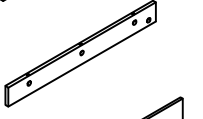


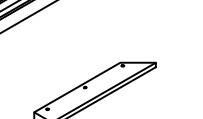
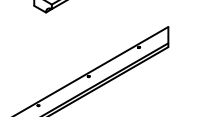
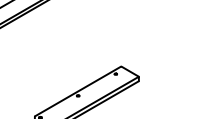

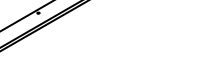
Respond within 24 hours




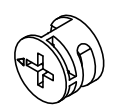
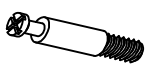
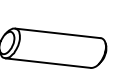
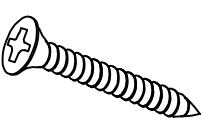
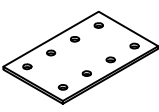

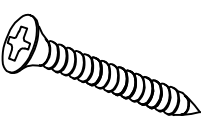


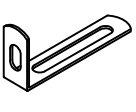

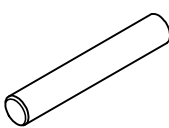
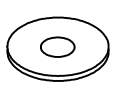
Issue resolved

Note: Do not tighten all screws in advance; tighten the screws after operating all steps.

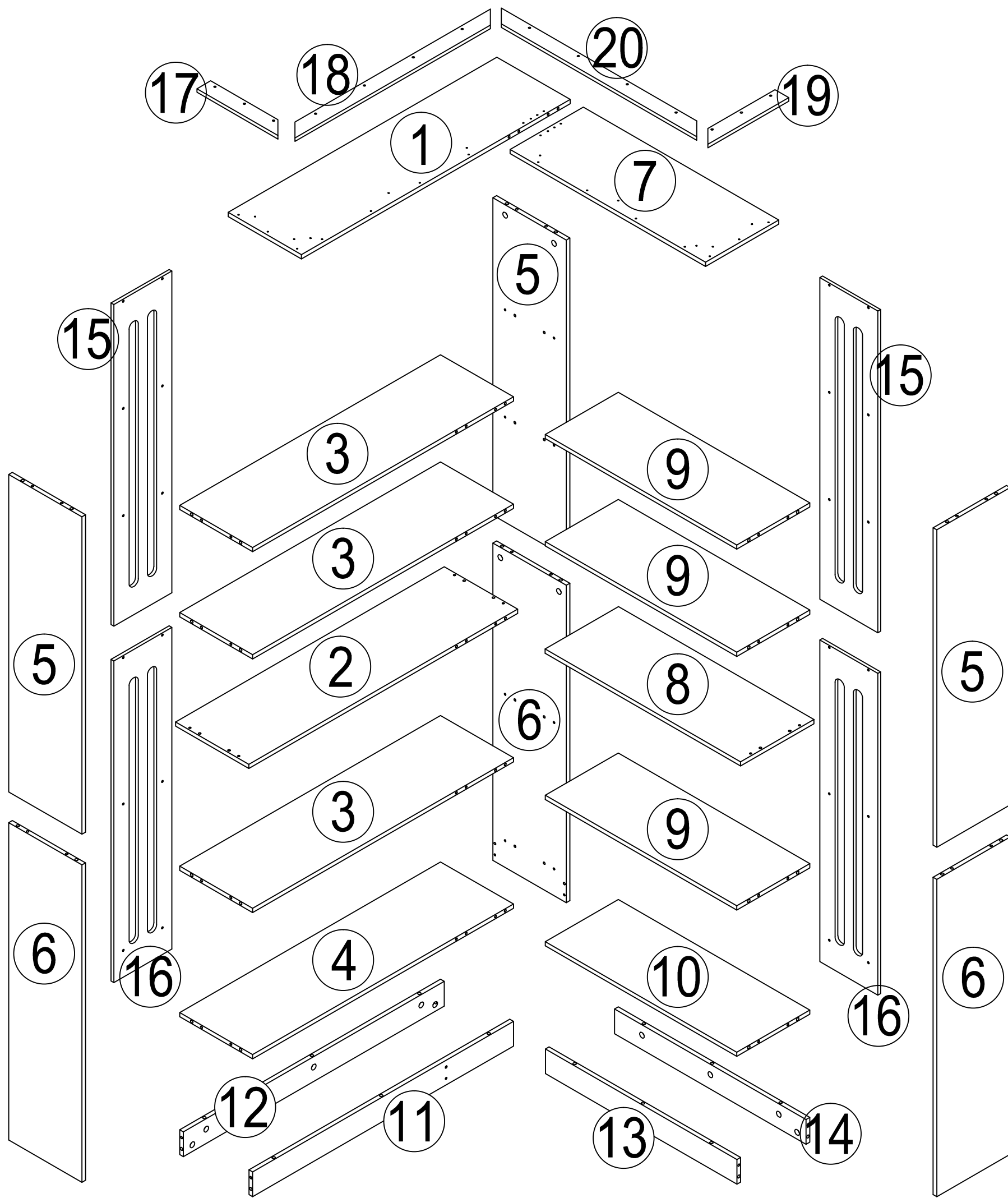
Componets 

	880*240mm	1 x 1
	880*240mm	2 x 1
	854*239mm	3 x 3
	854*239mm	4 x 1
	900*240mm	5 x 3
	900*240mm	6 x 3
	640*240mm	7 x 1
	640*240mm	8 x 1
	627*239mm	9 x 3
	627*239mm	10 x 1
	854*70mm	11 x 1
	854*70mm	12 x 1
	627*70mm	13 x 1
	627*70mm	14 x 1
	912*190mm	15 x 2
	912*190mm	16 x 2
	265*45mm	17 x 1
	685*45mm	18 x 1
	265*45mm	19 x 1
	685*45mm	20 x 1

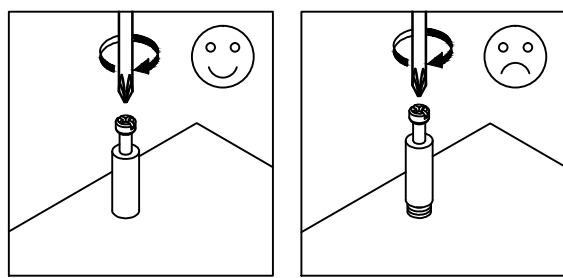
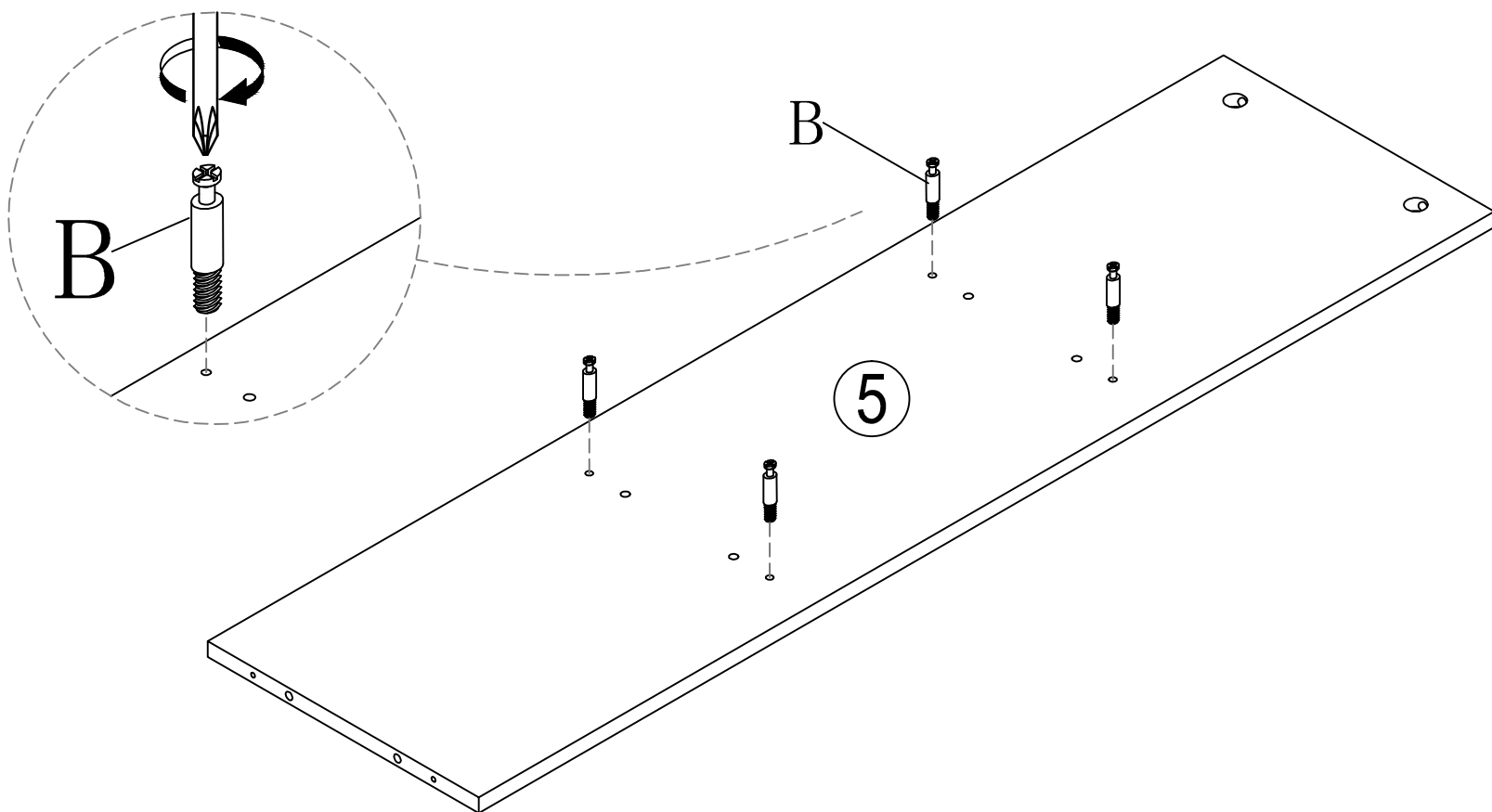
Screws & Tools 

A		∅15*9.5	x 55
B		∅7*35	x 55
C		∅6*30	x 49
D		∅4x40	x 8
E		50x80x2	x 7
F		∅3.5x10	x 16
G		∅4x35	x 38
H		∅3.5x12	x 62
I		20*20*2	x 10
J		50*24*12	x 2
K		∅7.8x38	x 2
L		∅6*40	x 24
M			x 16

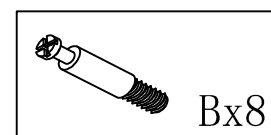
Check all components & screws before assembly.
 Do not install in case part is missing, contact us to get.
 Send email with your question to support@idealhouse.vip.
 We will resend within 24 hours.



STEP 1

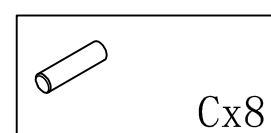
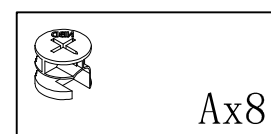
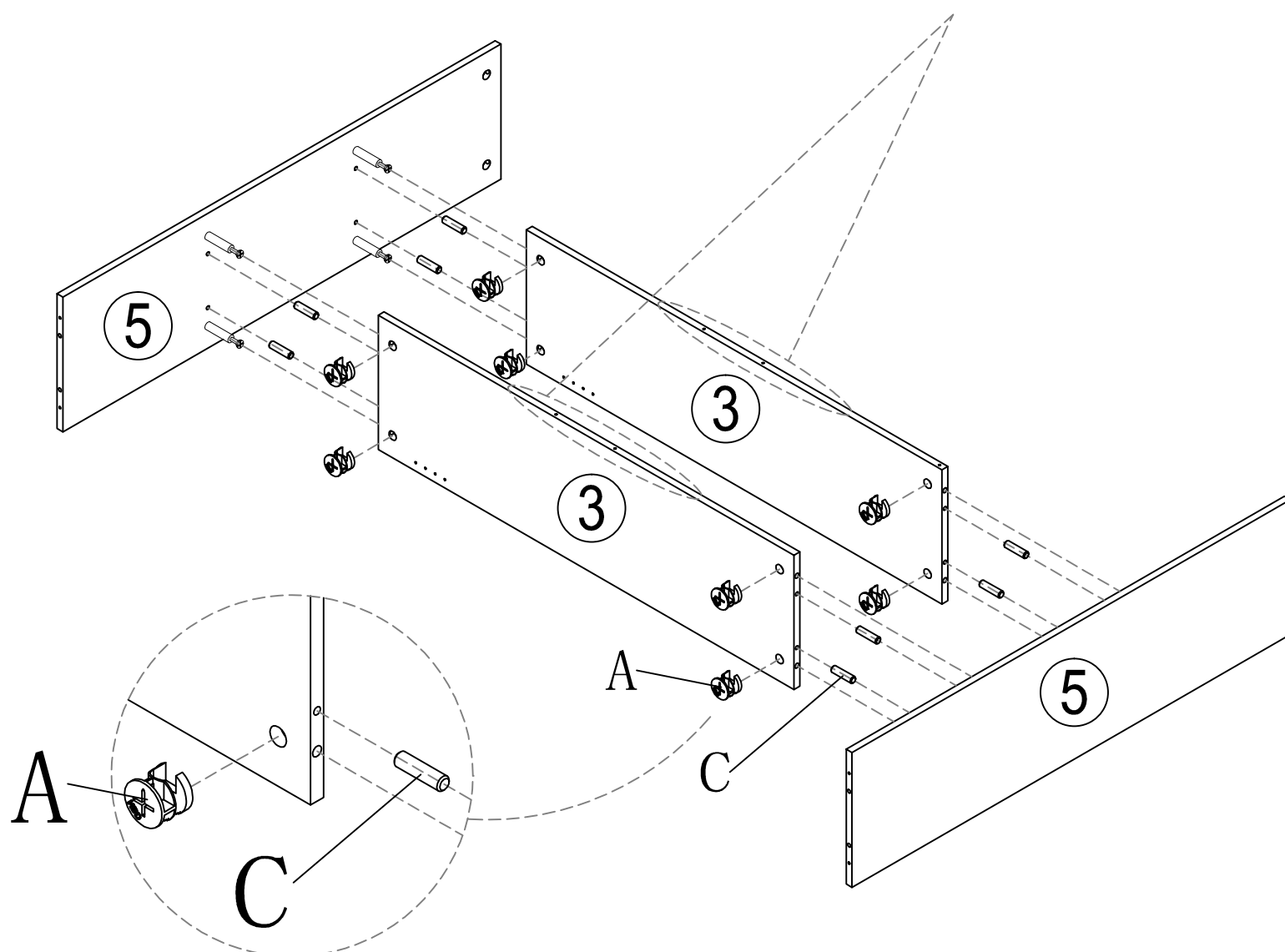


x2

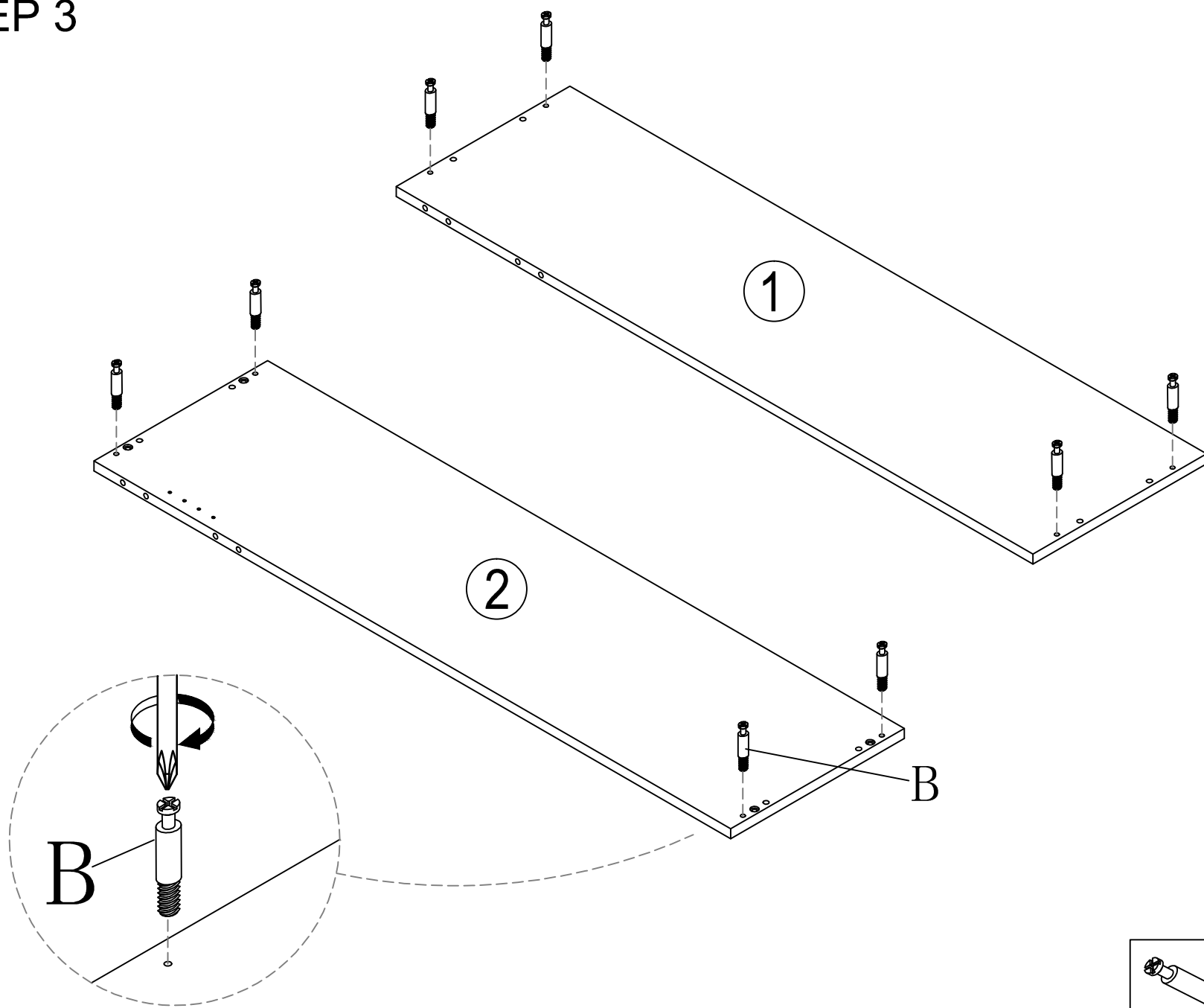


STEP 2

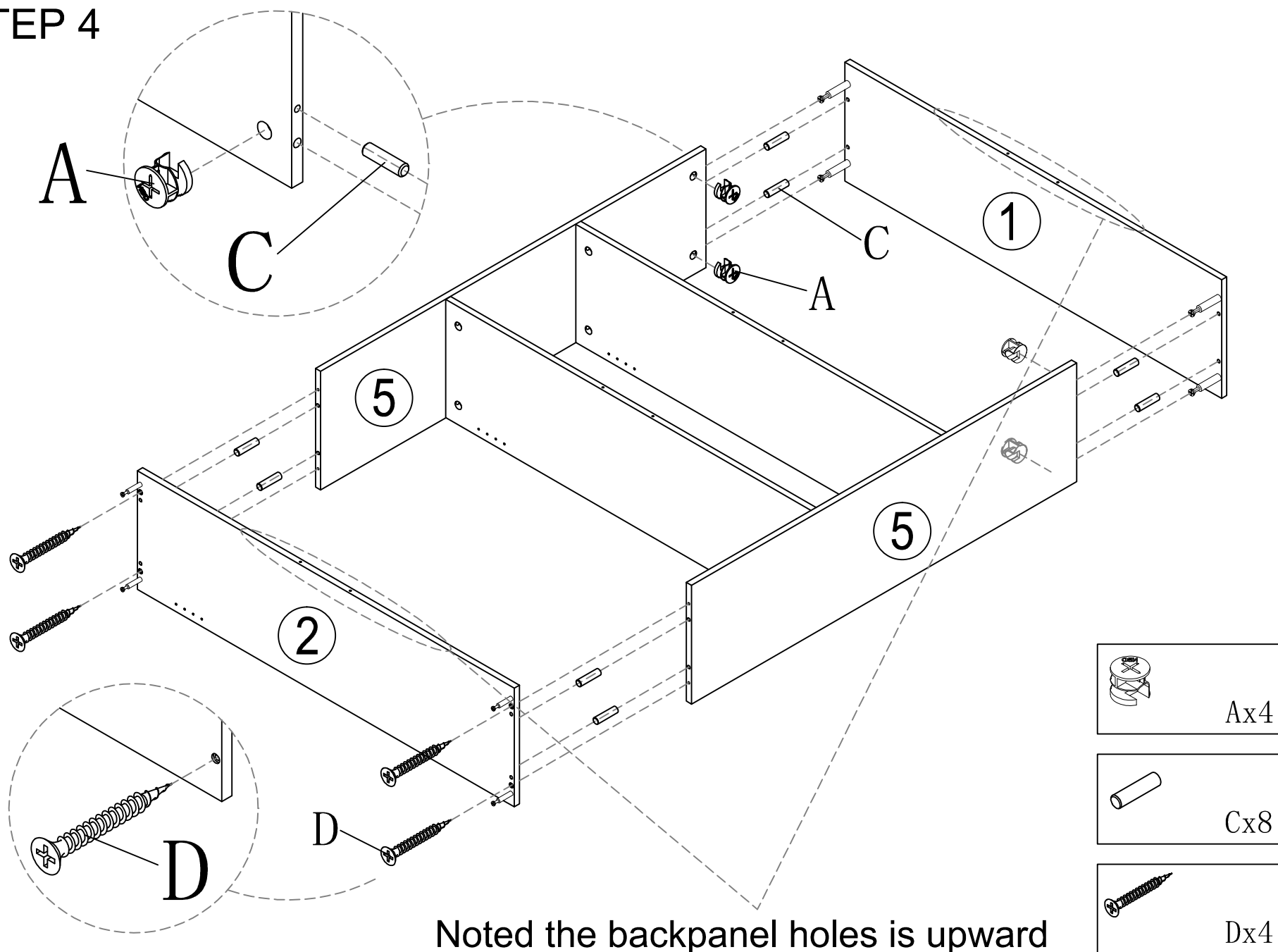
Noted the backpanel holes is upward



STEP 3

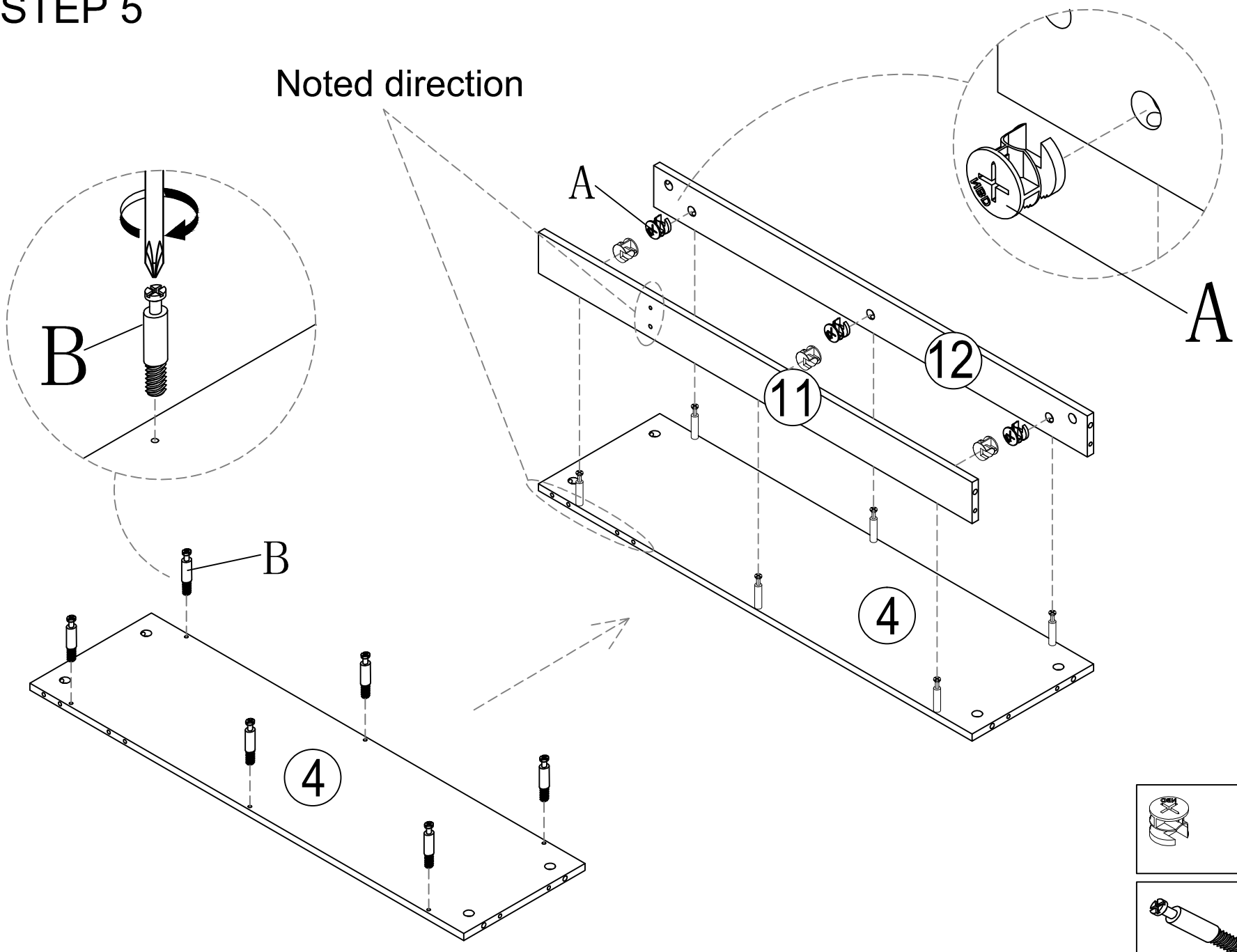


STEP 4

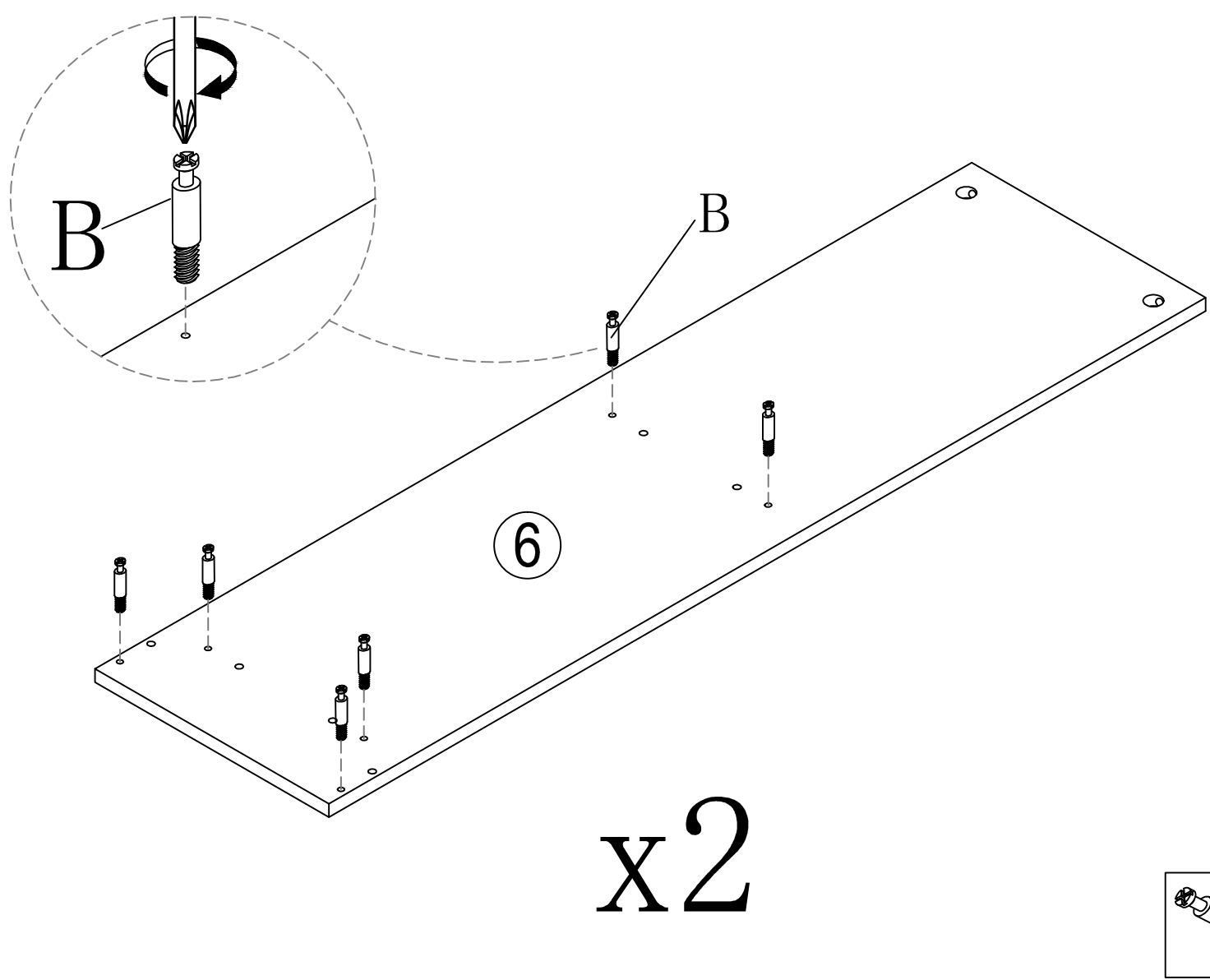


STEP 5

Noted direction



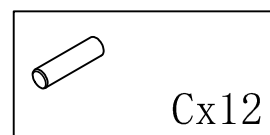
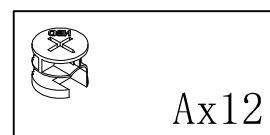
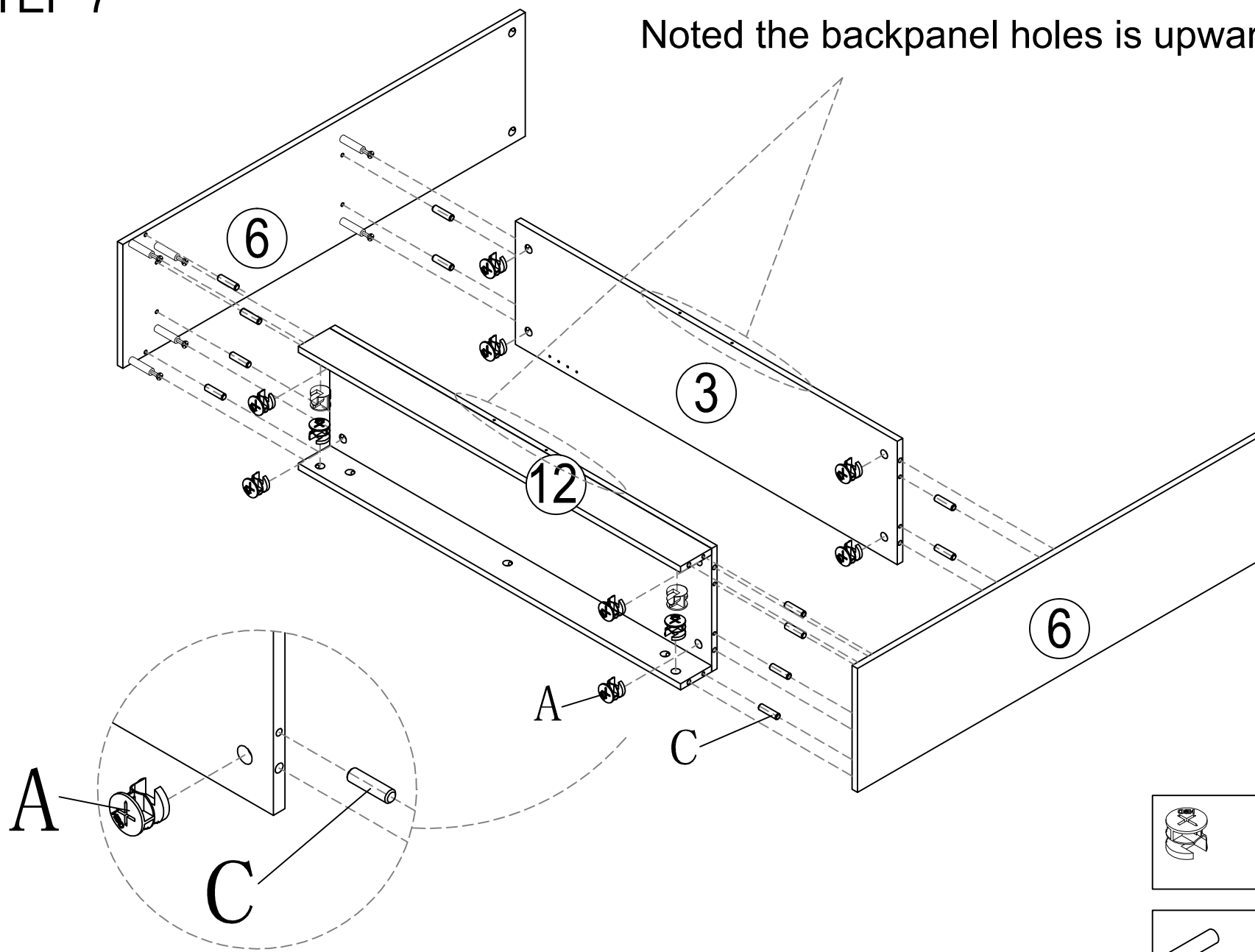
STEP 6



x2

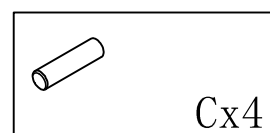
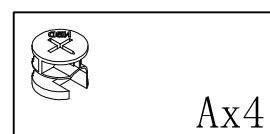
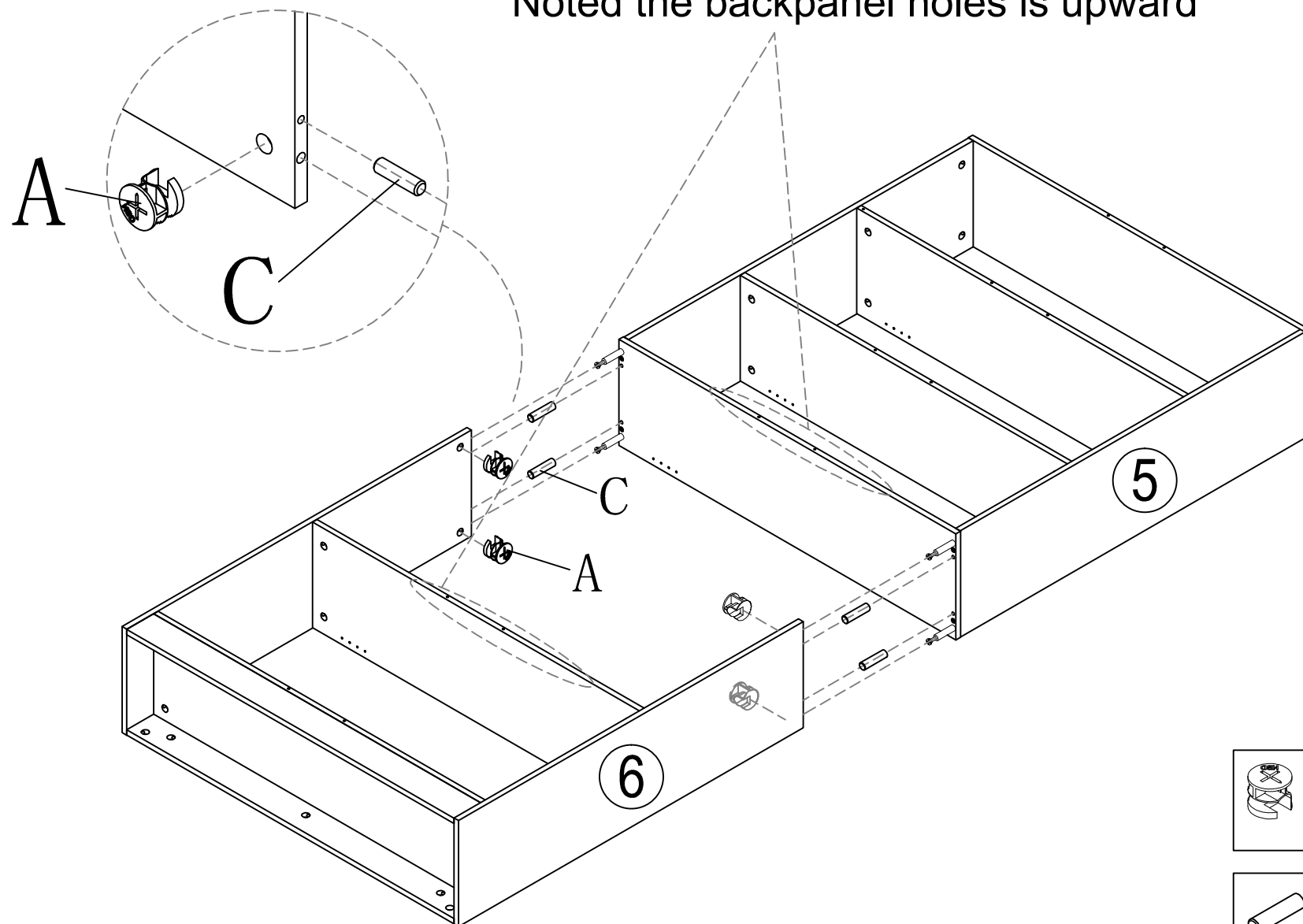
STEP 7

Noted the backpanel holes is upward

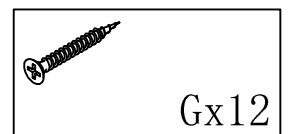
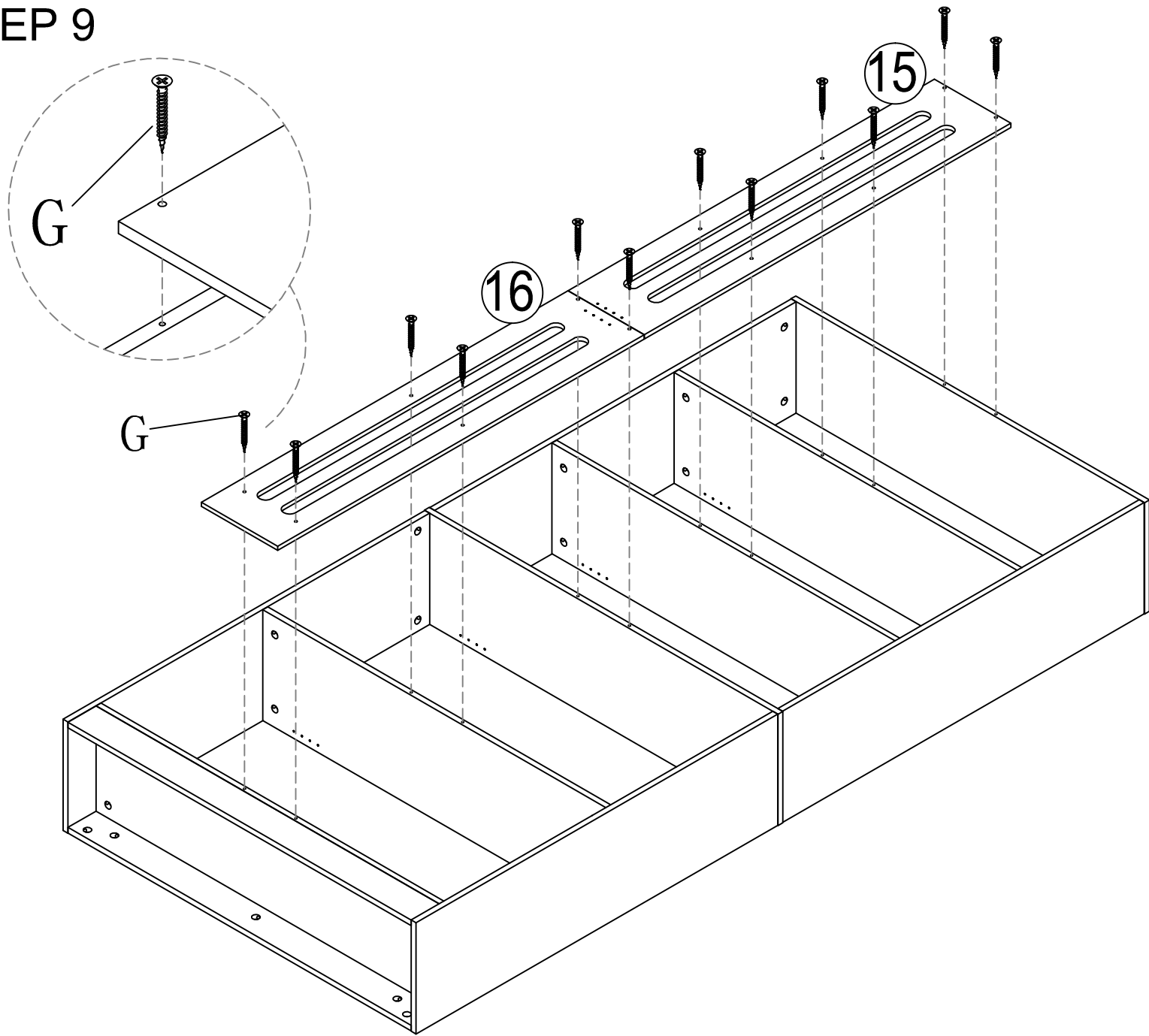


STEP 8

Noted the backpanel holes is upward

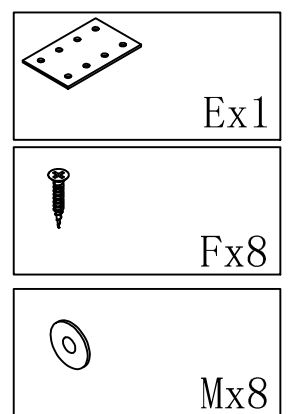
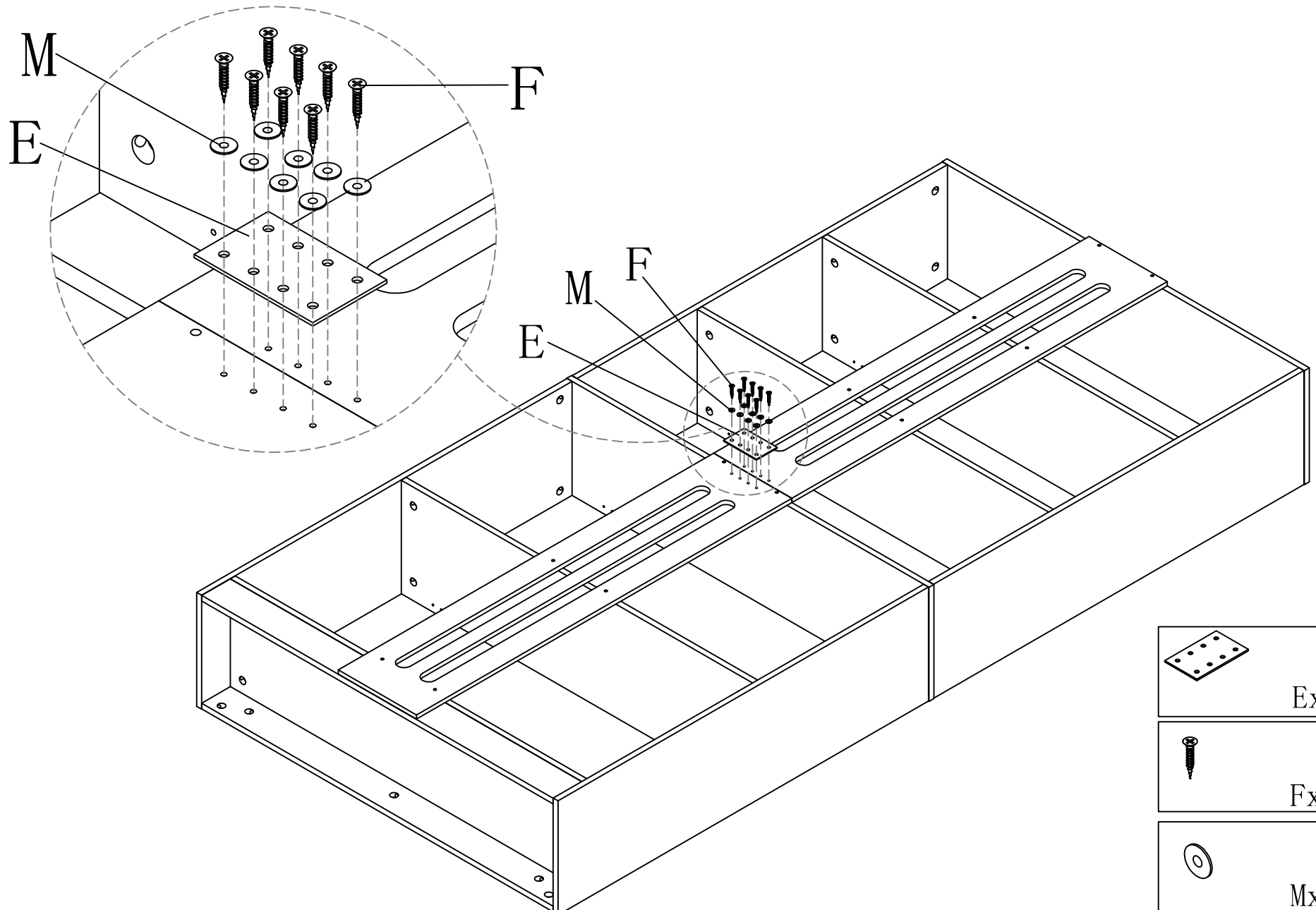


STEP 9

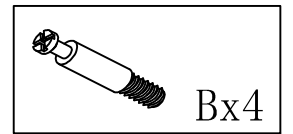
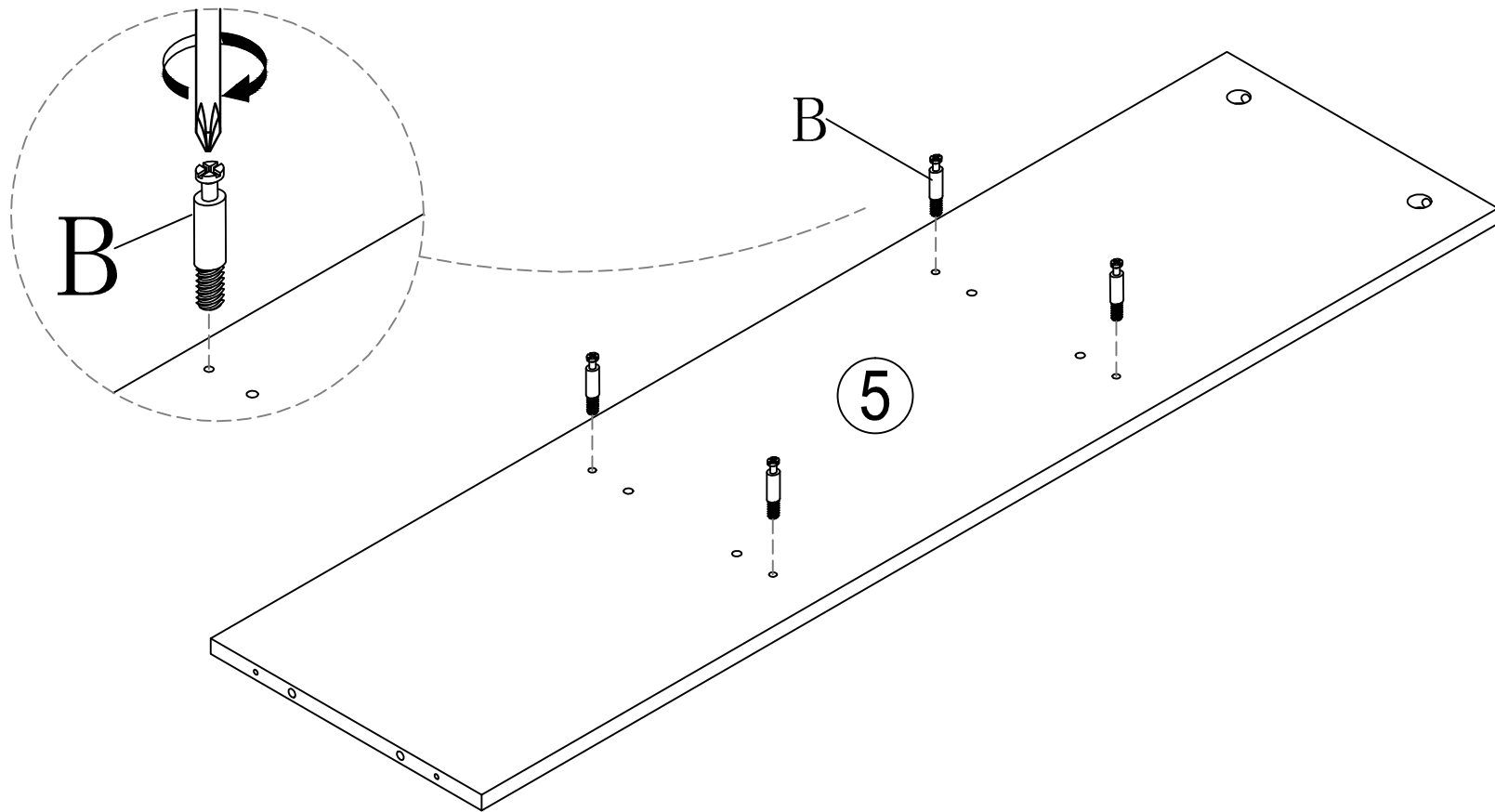


STEP 10

Noted the space plate

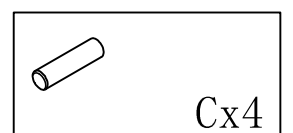
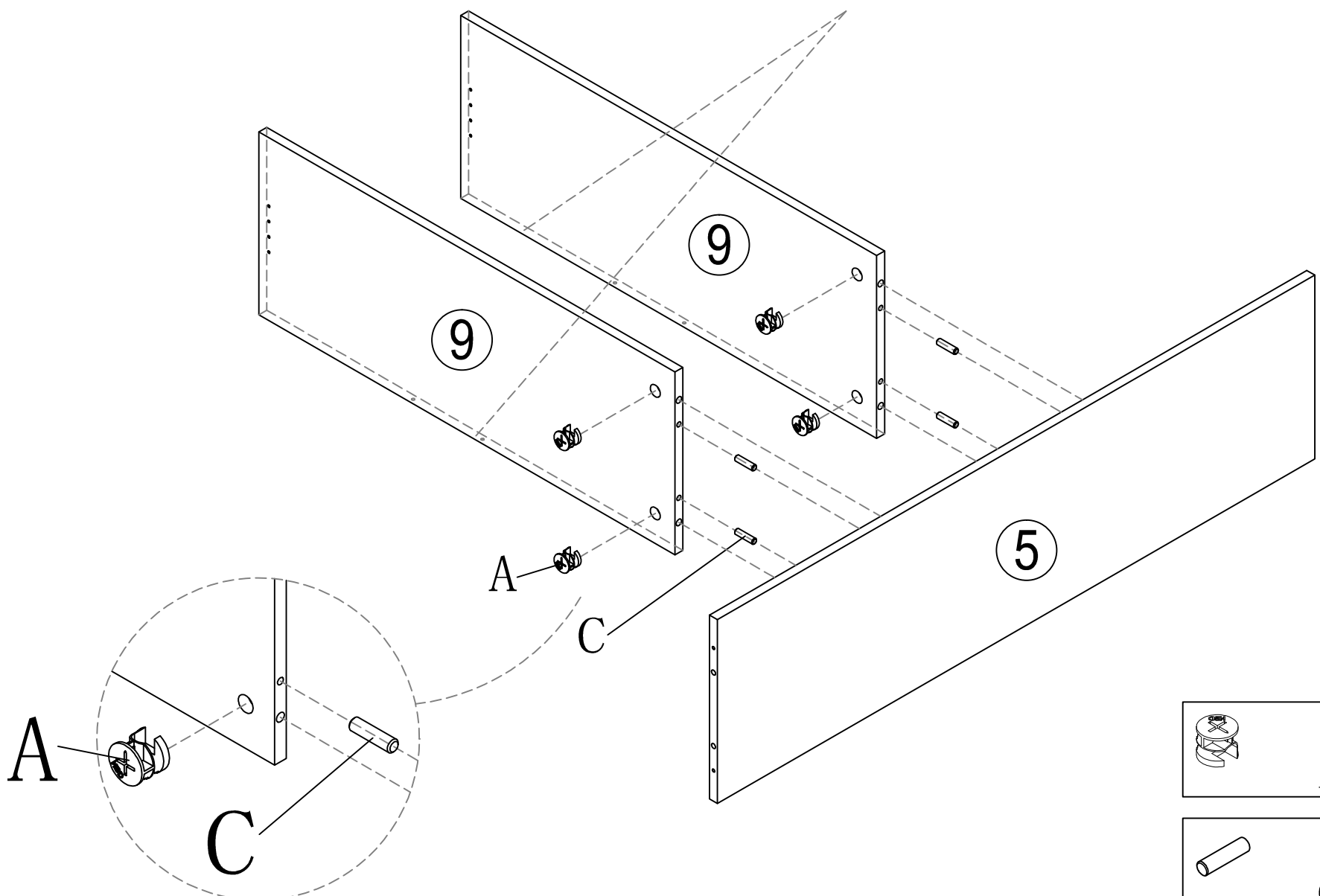


STEP 11

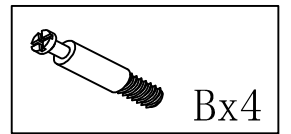
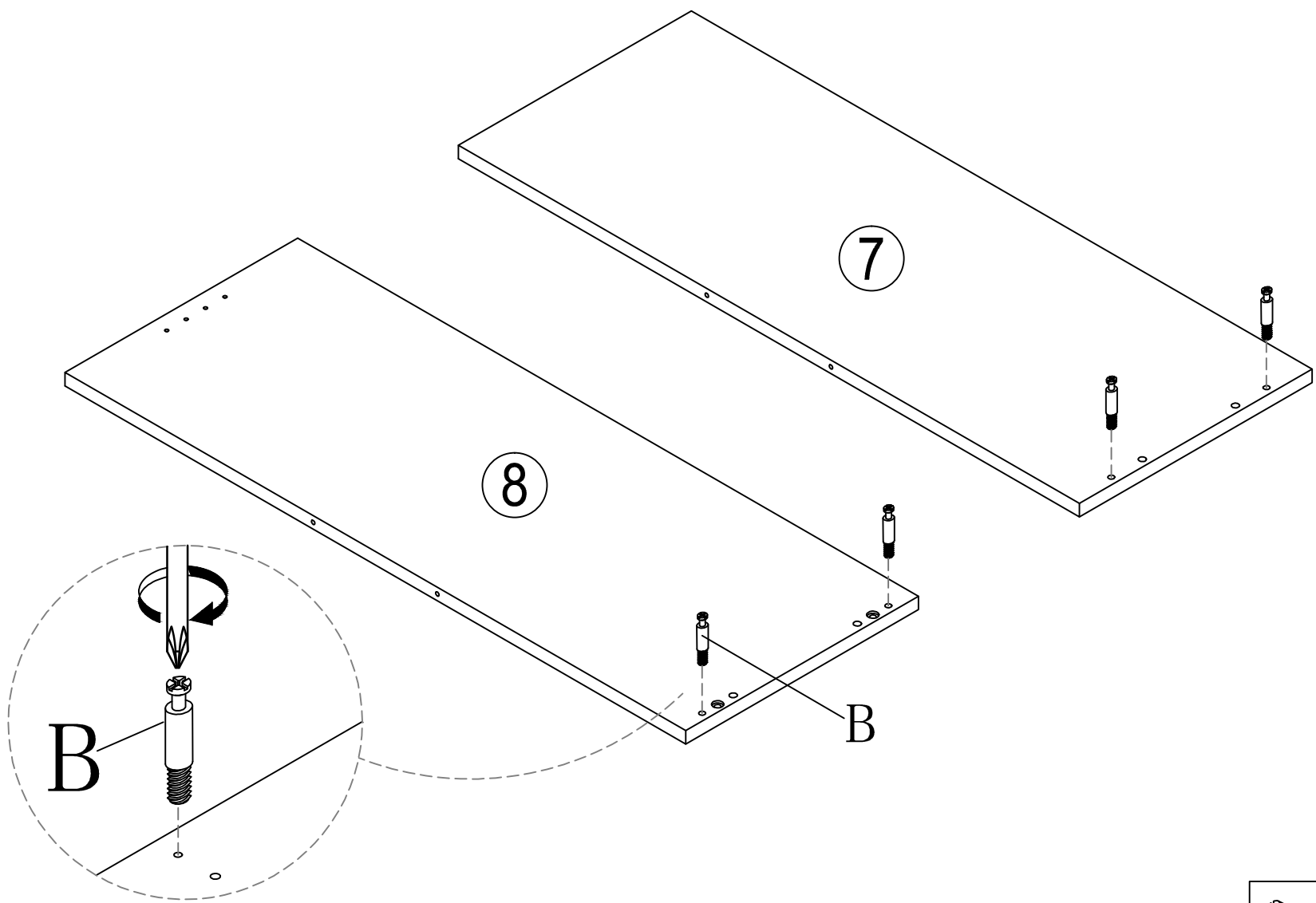


STEP 12

Noted the backpanel holes is downward

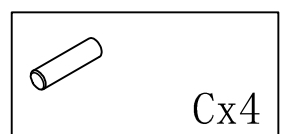
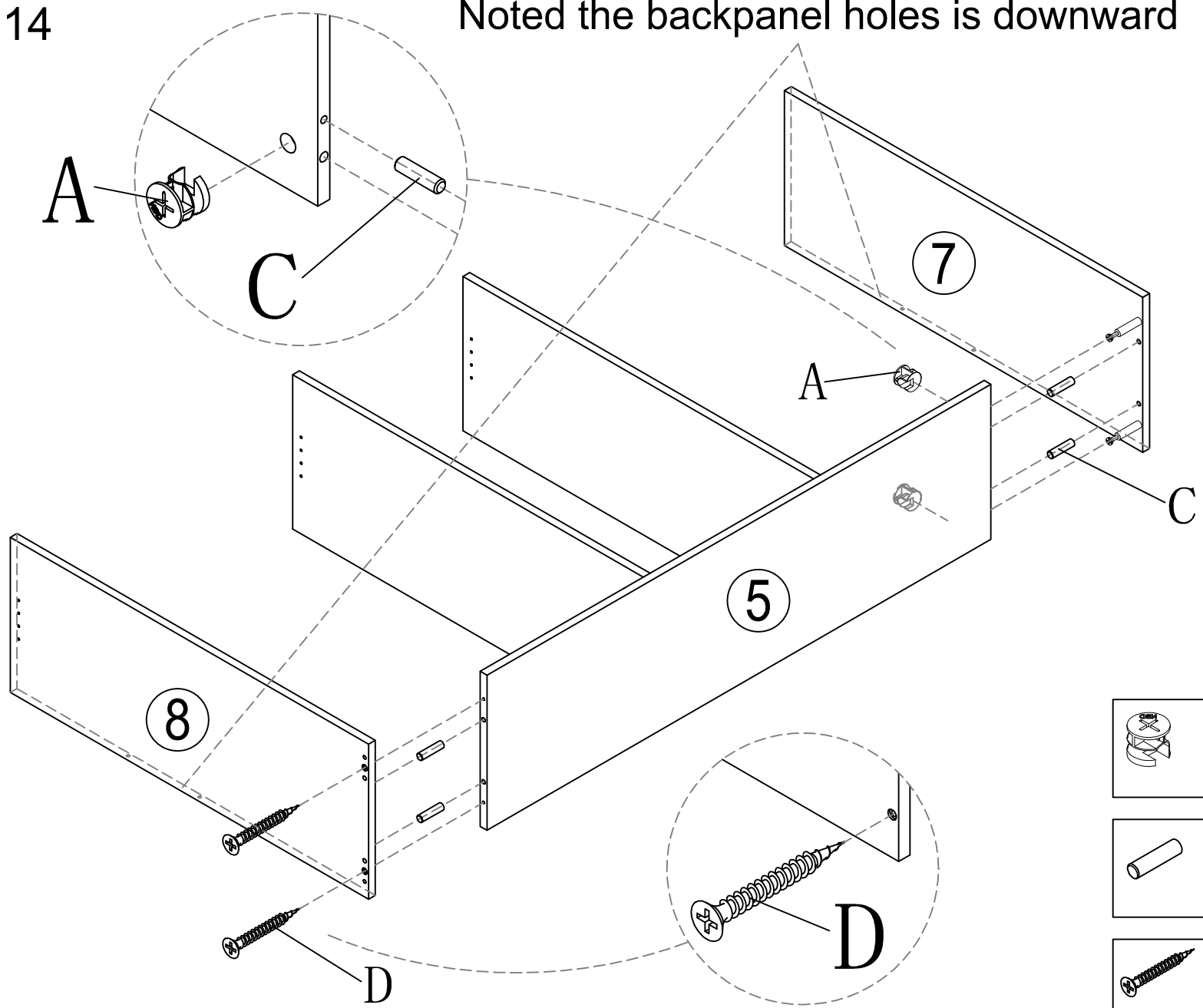


STEP 13

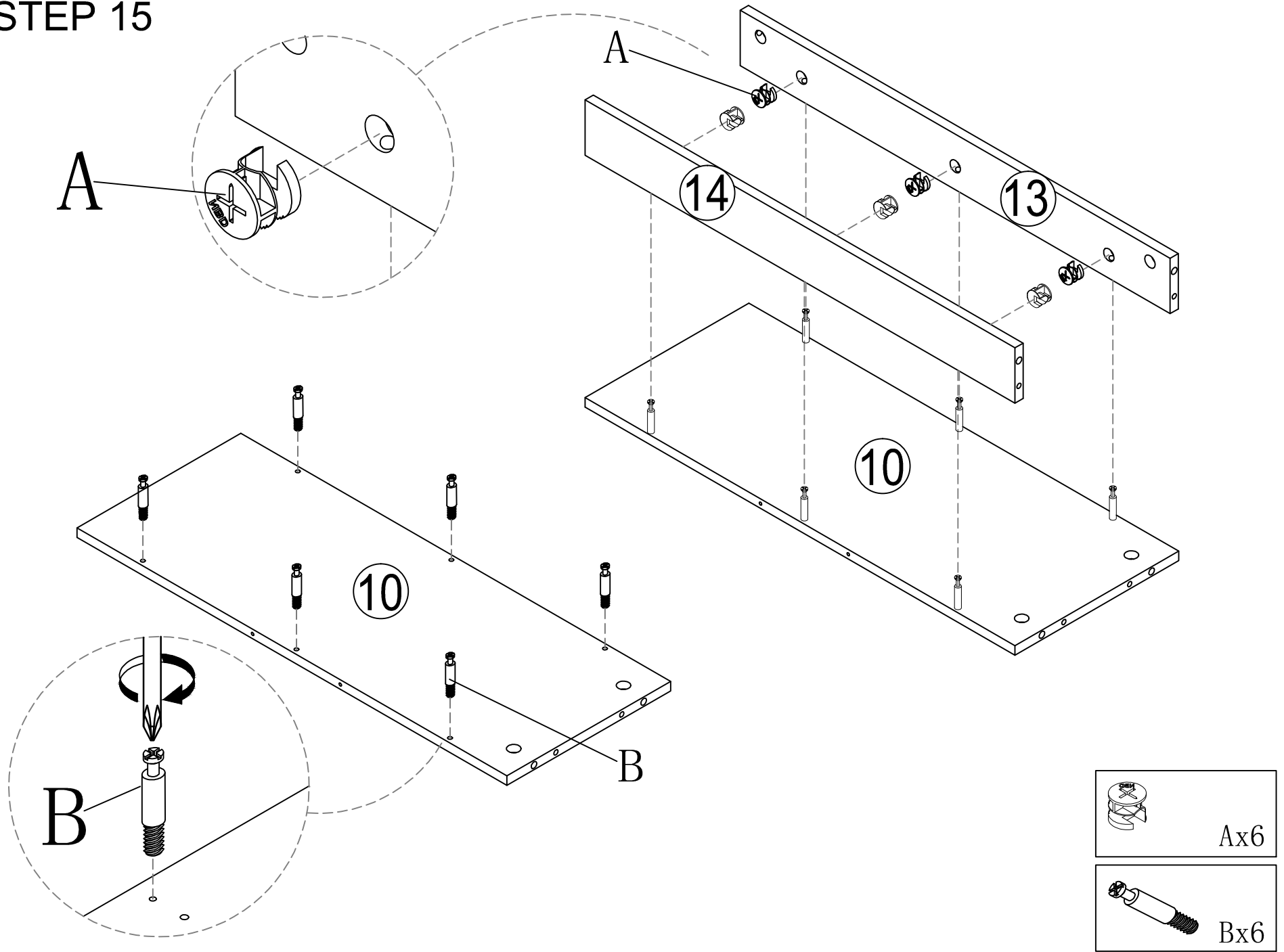


STEP 14

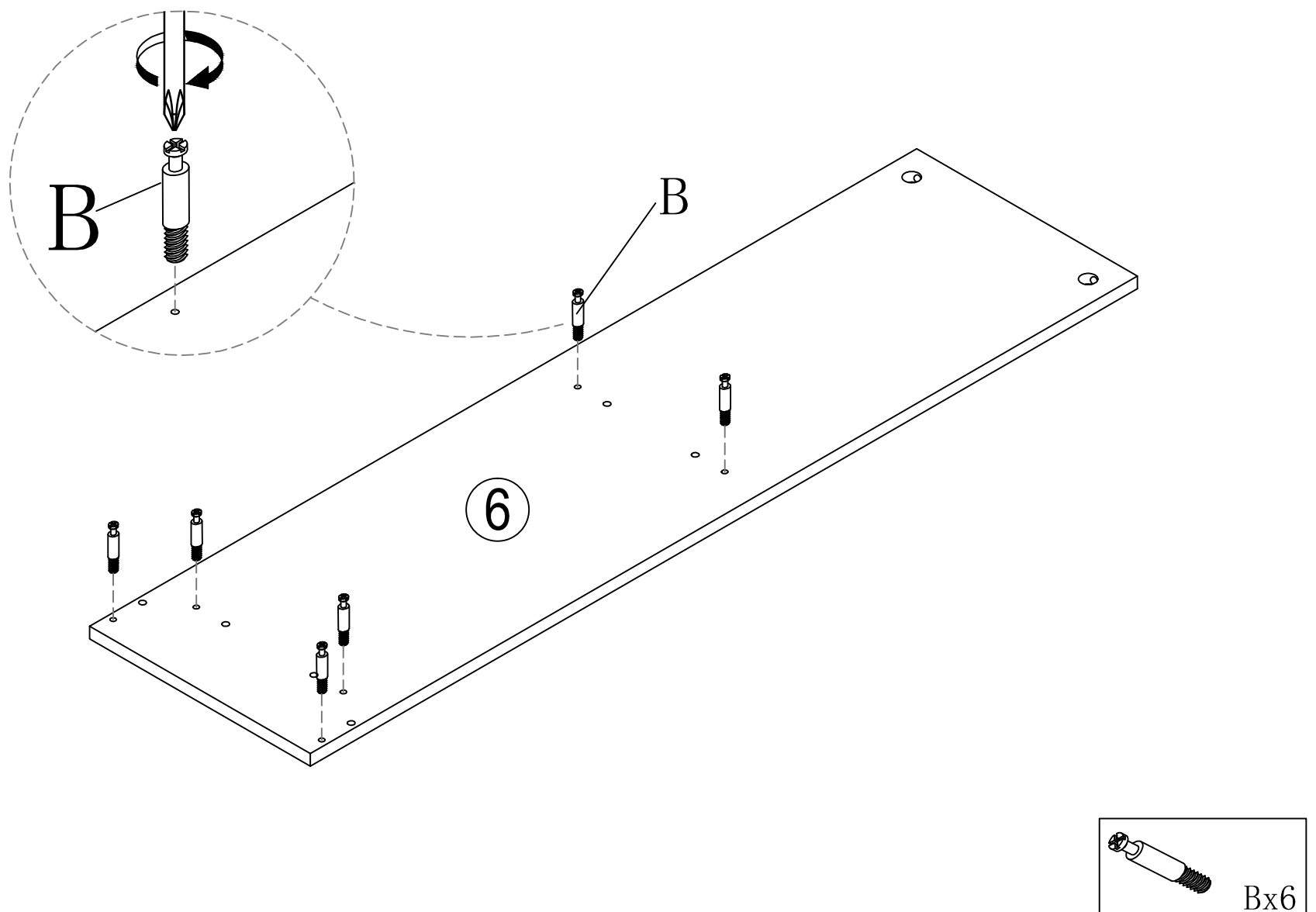
Noted the backpanel holes is downward



STEP 15

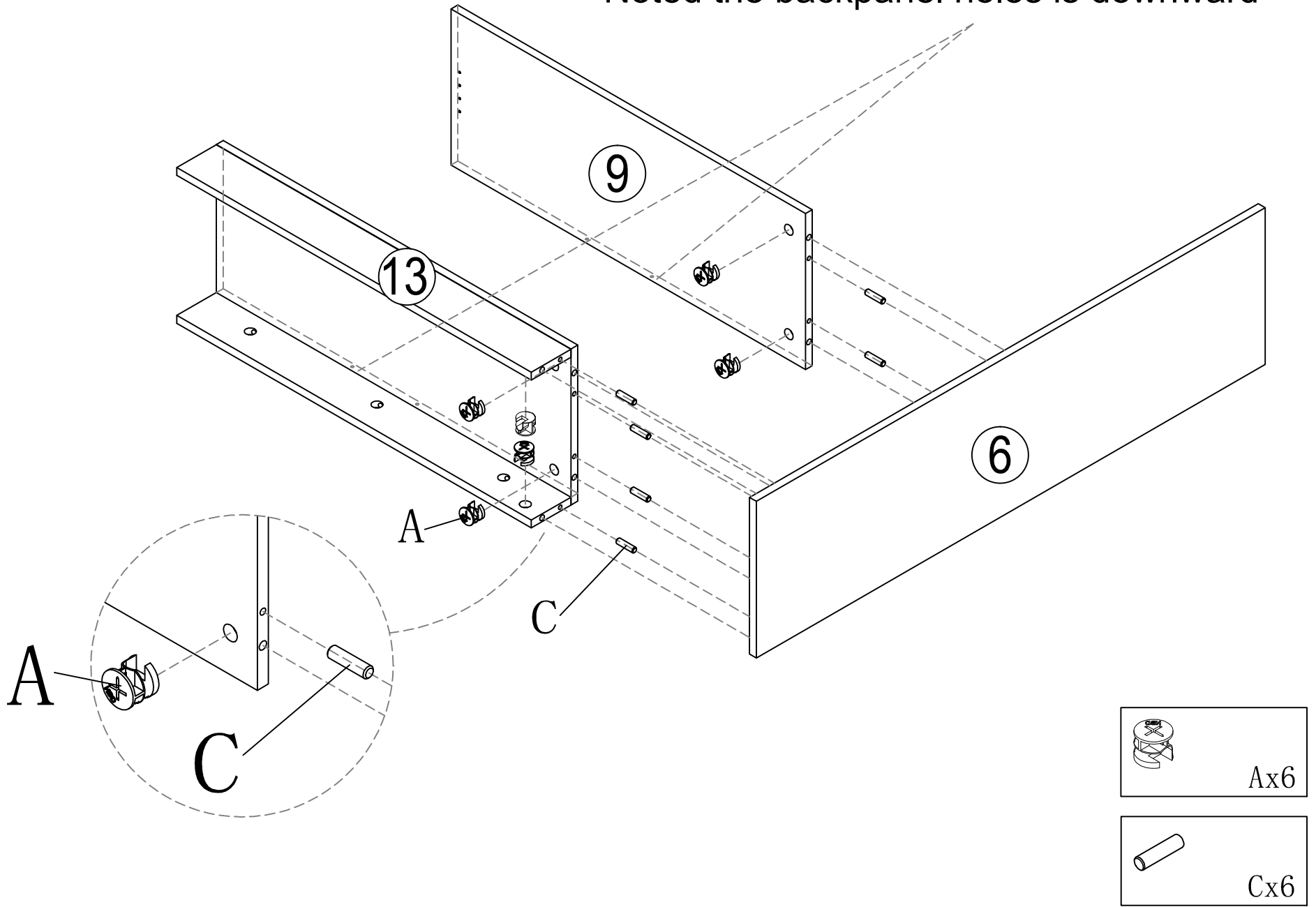


STEP 16



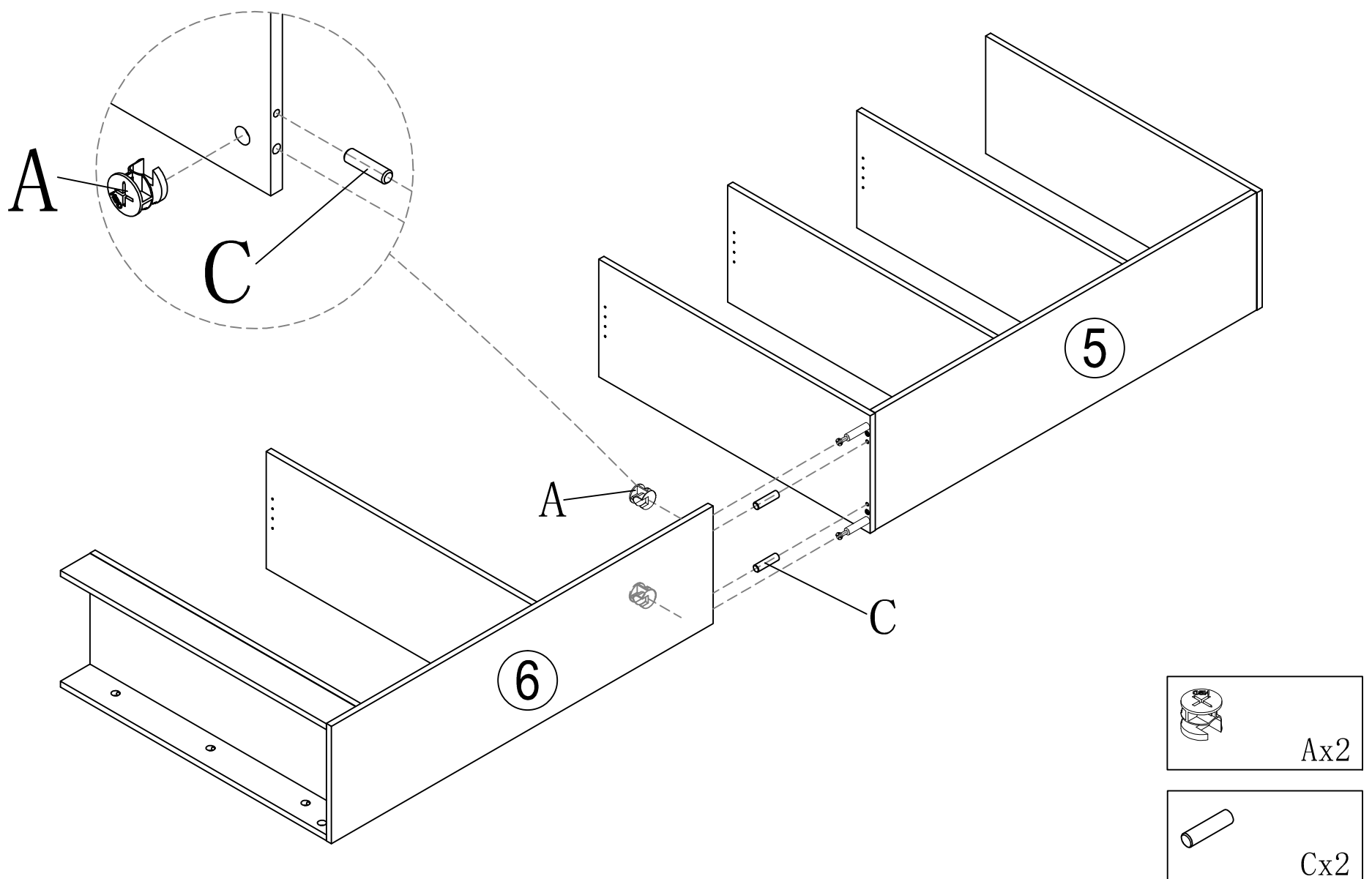
STEP 17

Noted the backpanel holes is downward

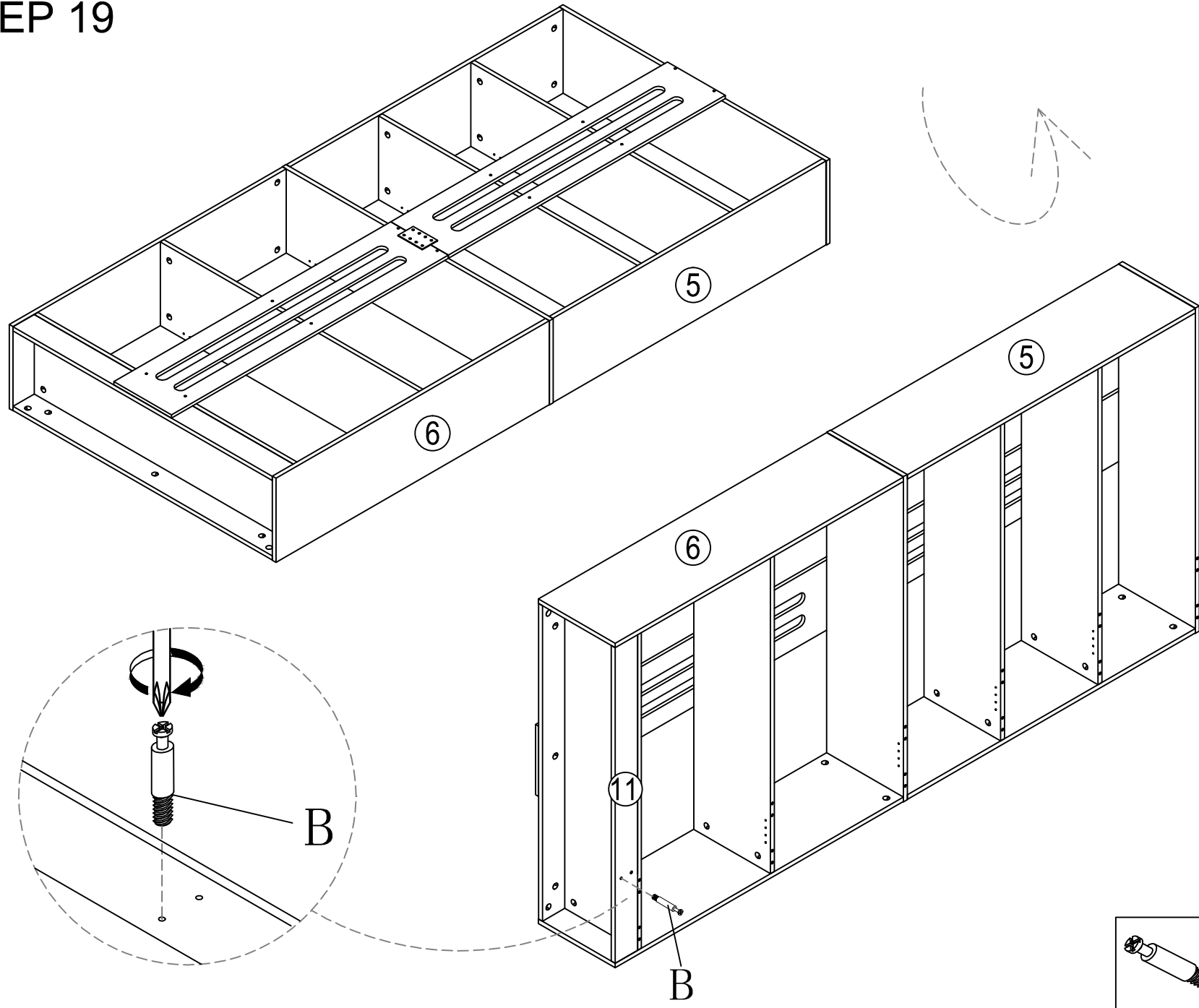


STEP 18

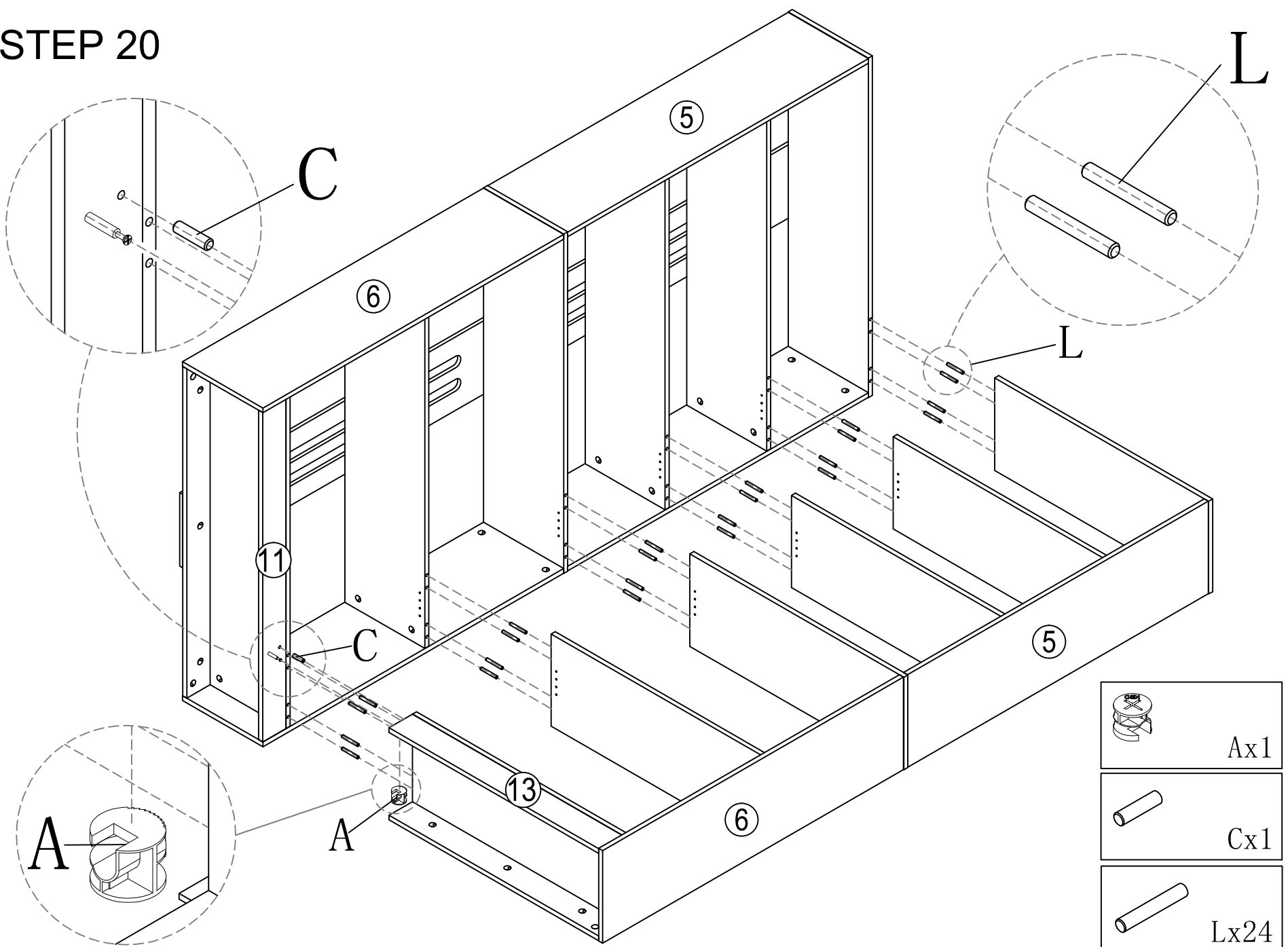
Noted the backpanel holes is downward



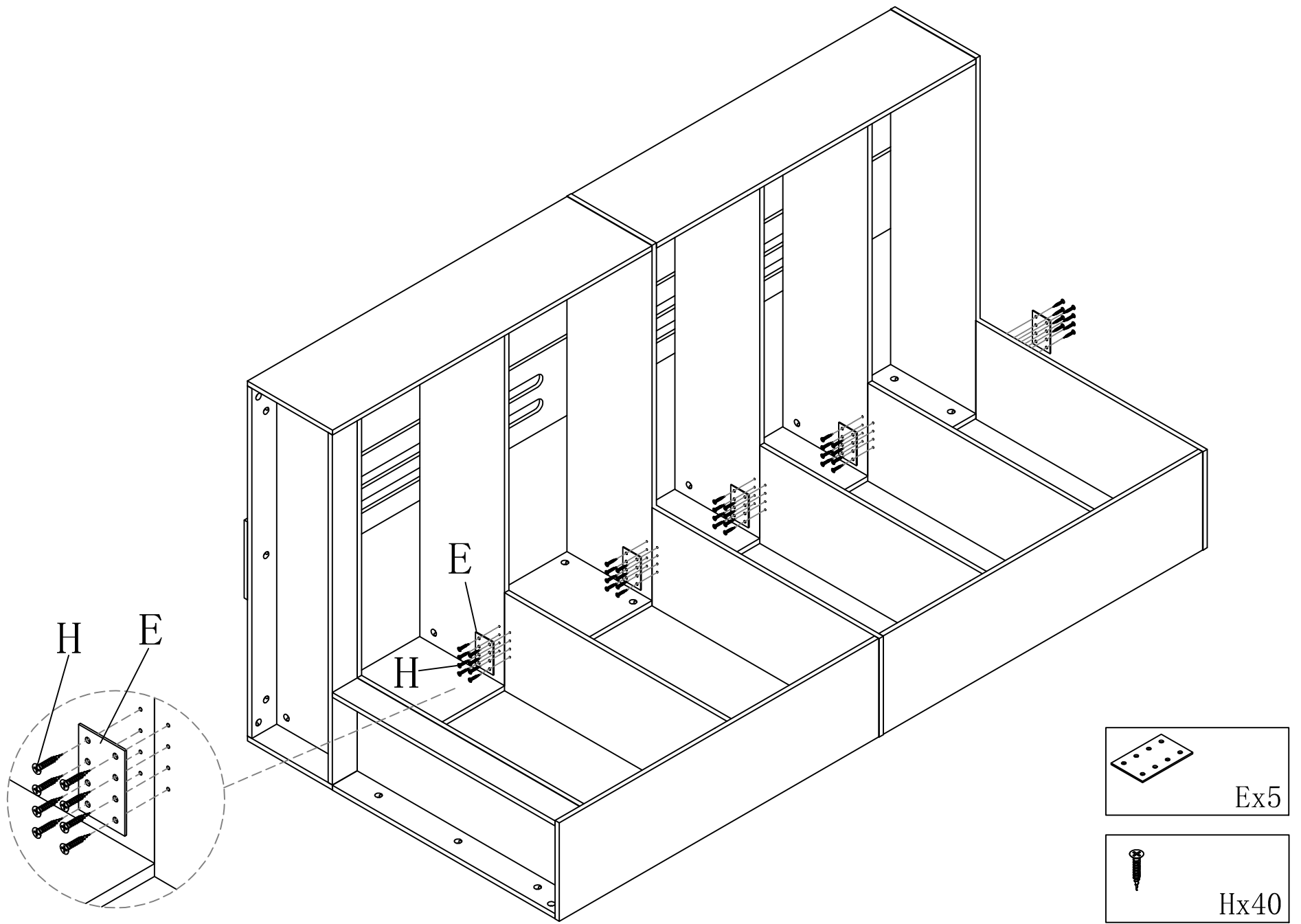
STEP 19



STEP 20

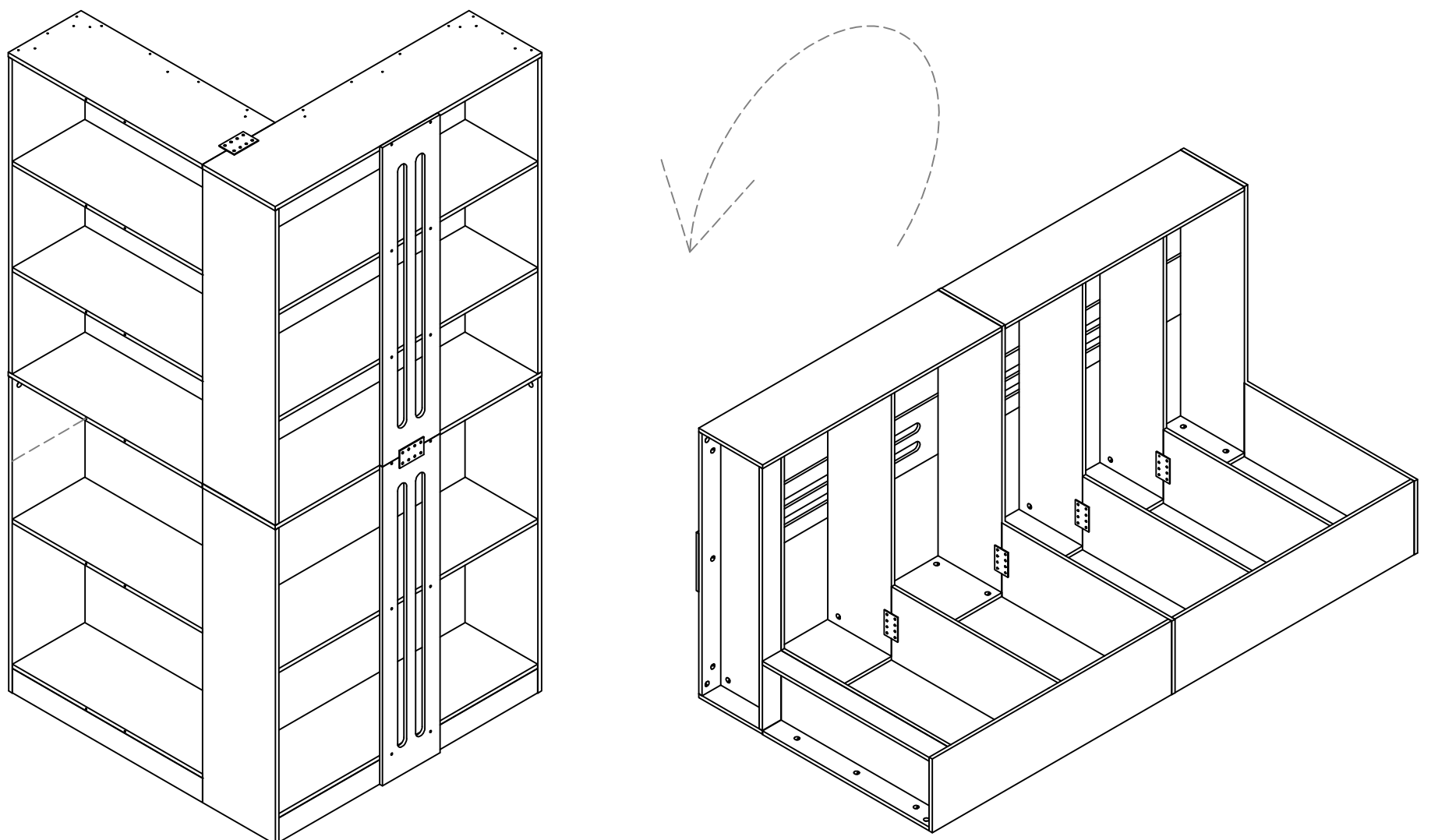


STEP 21

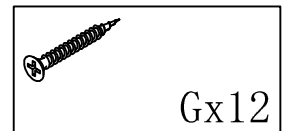
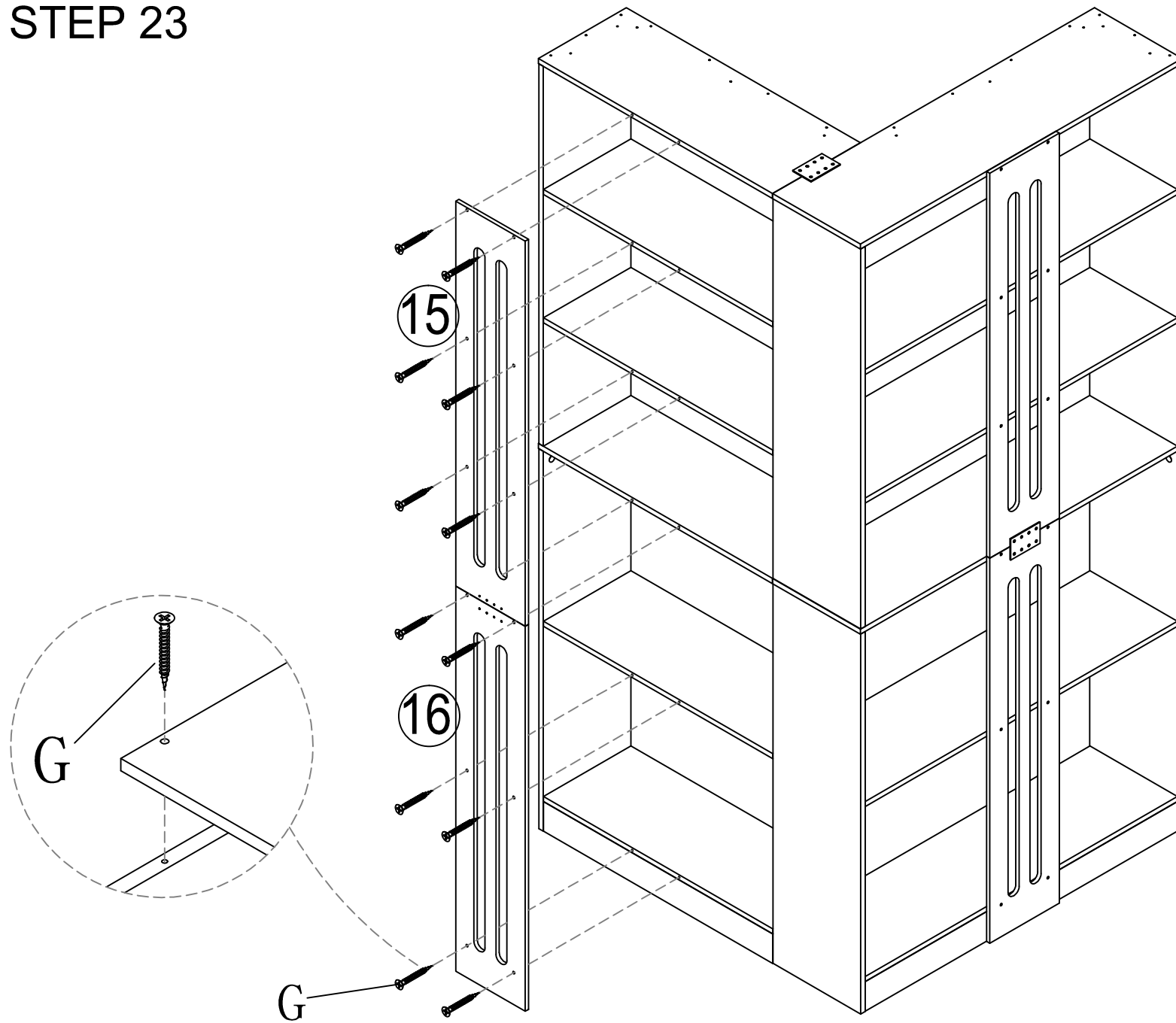


STEP 22

Please be careful When you stand up the product, 2 people is need.



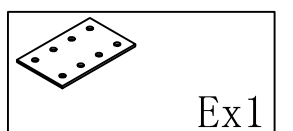
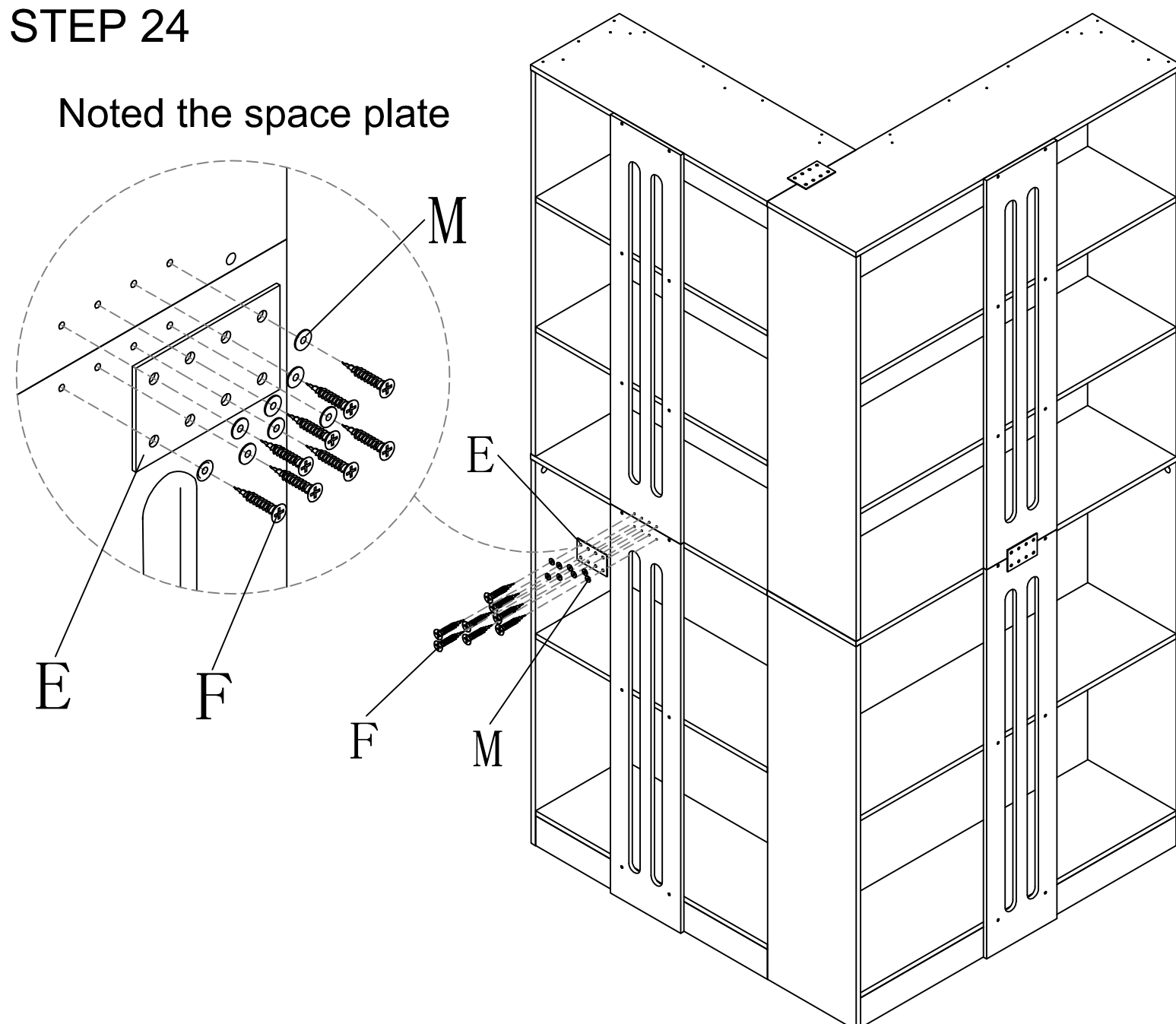
STEP 23



Gx12

STEP 24

Noted the space plate



Ex1



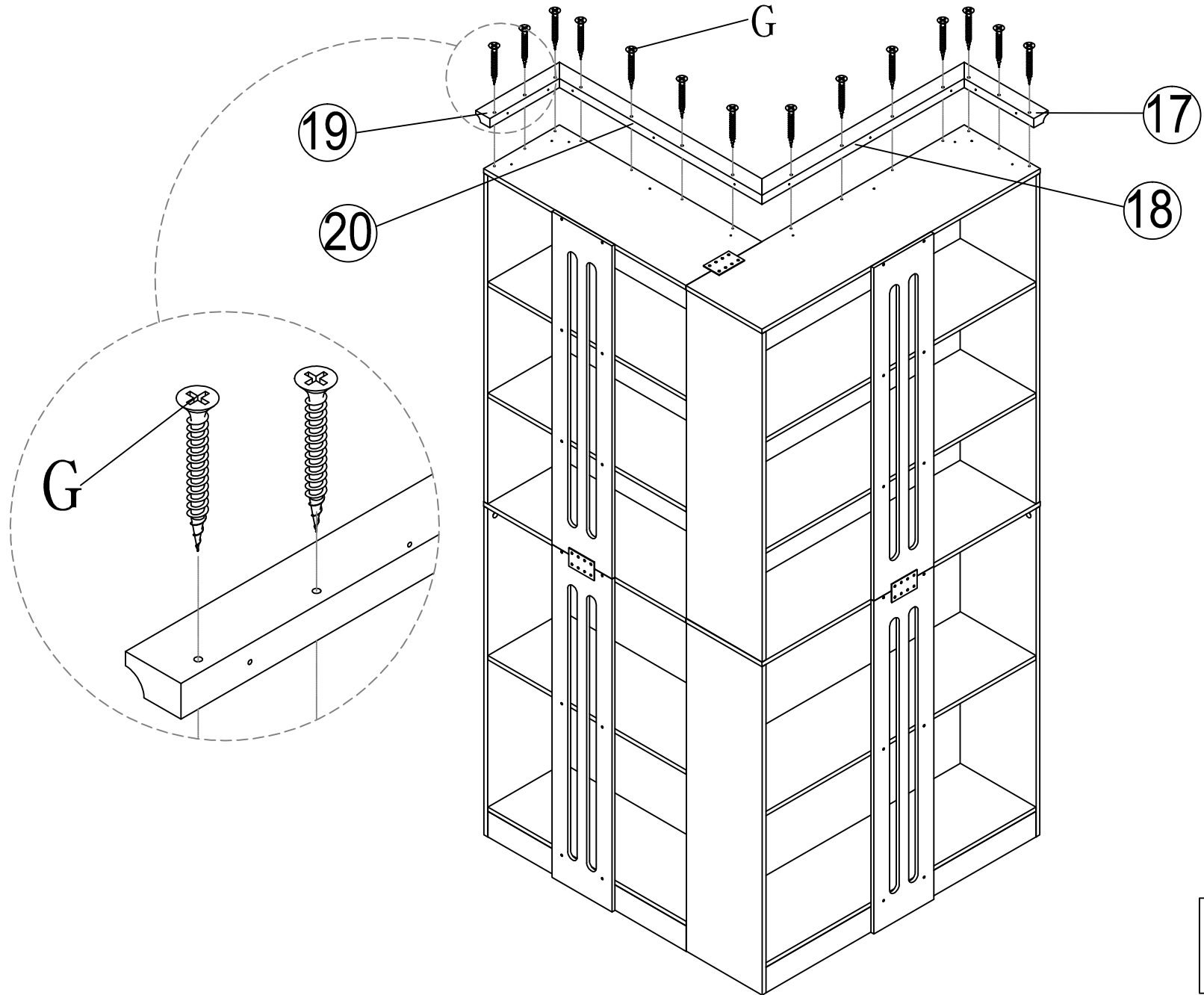
Fx8



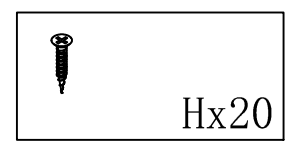
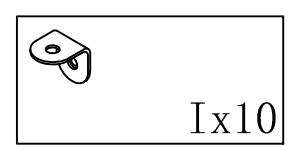
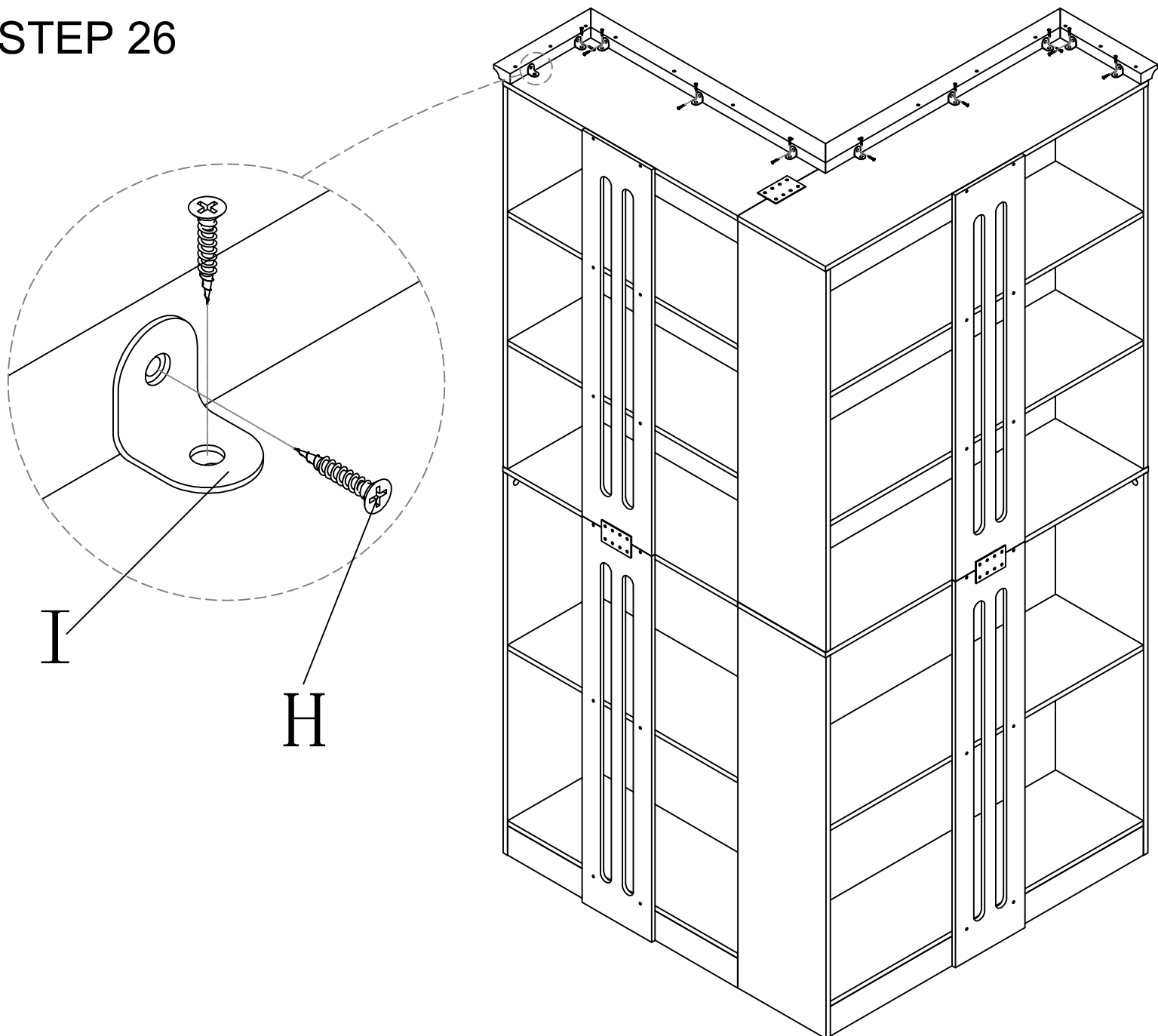
Mx8

STEP 25

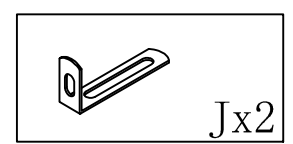
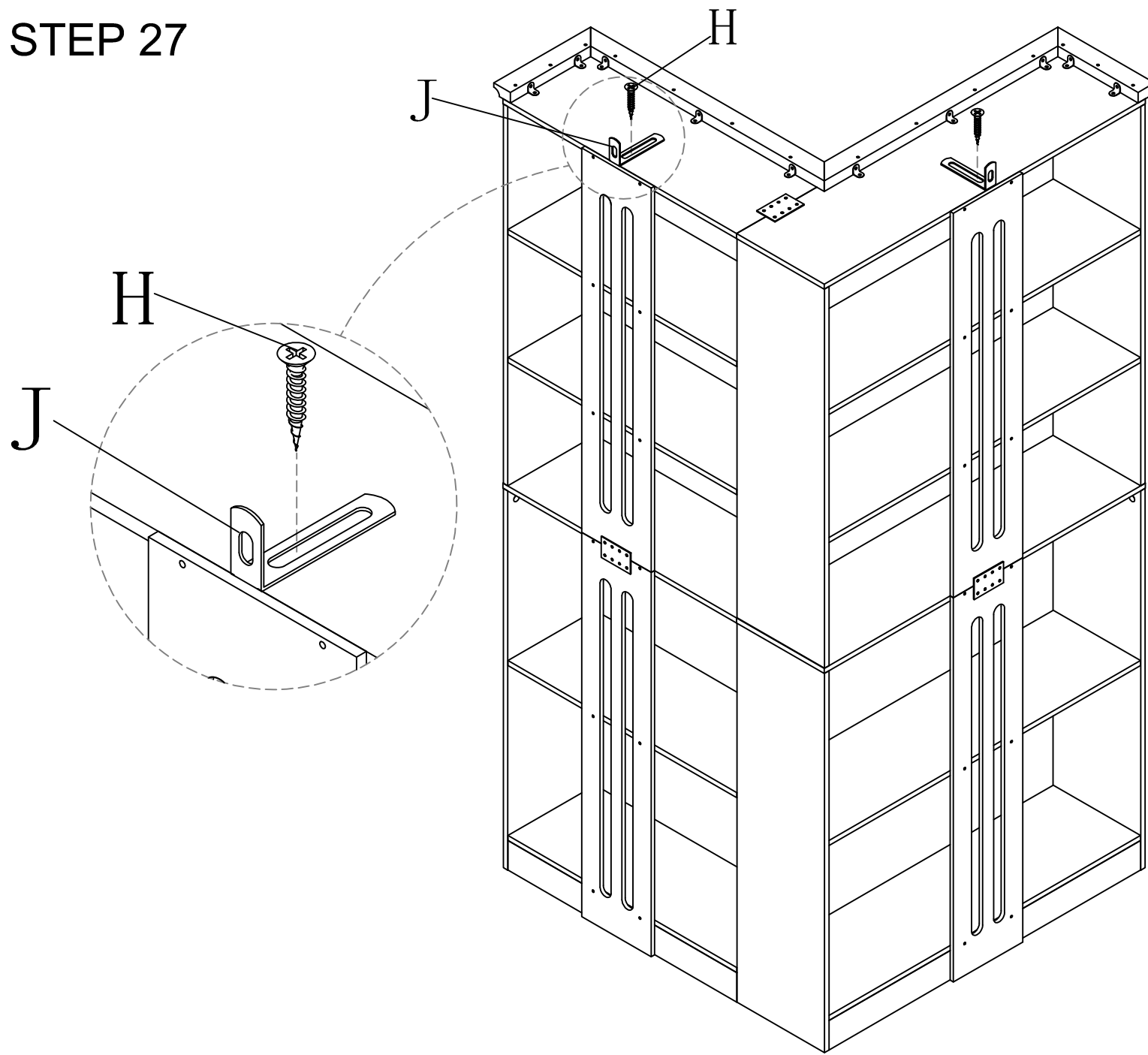
Noted length of screw #G is 35mm



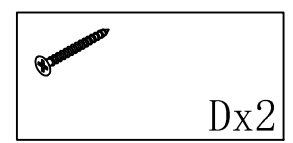
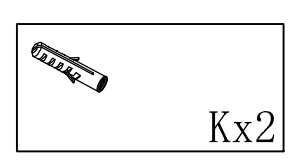
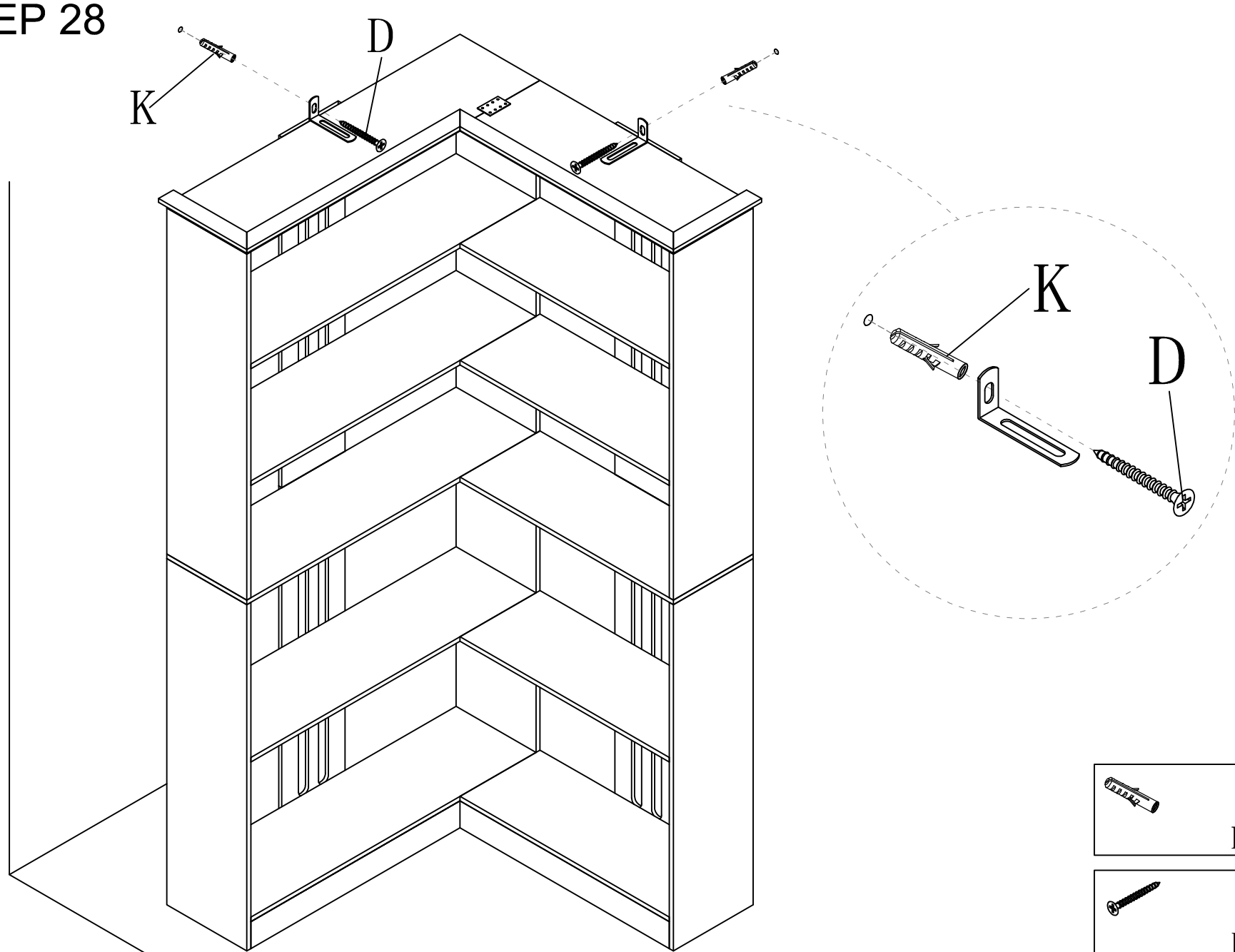
STEP 26



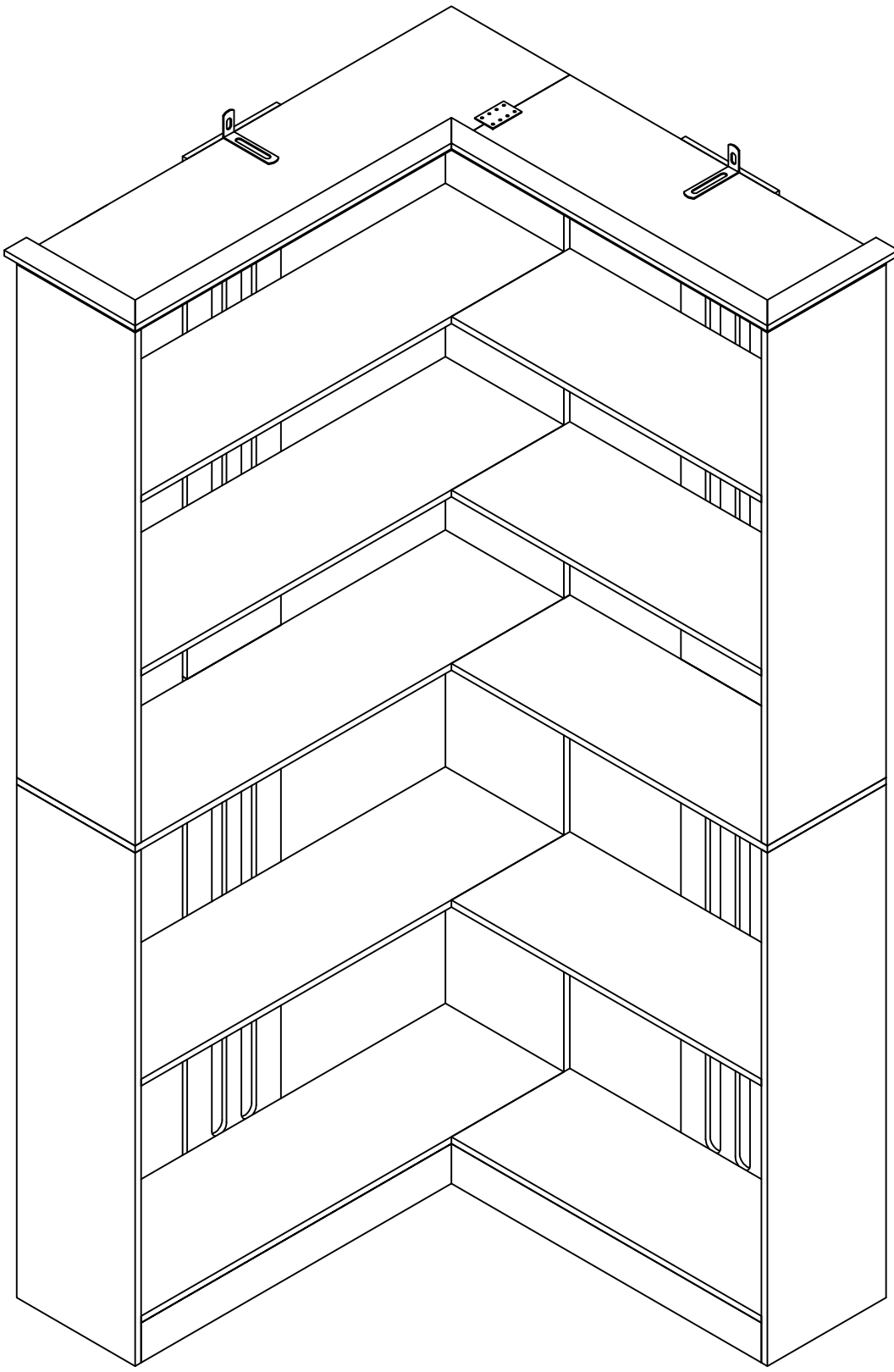
STEP 27



STEP 28



STEP 29



IMPORTANT SAFETY INFORMATION

Please carefully read the following instructions and caution warnings before assembling the product. Following this guide will ensure that you install, use and maintain the product properly.

- Please keep this installation and user manual/instructions for future reference in case you need to disassemble the product.
- Do not assemble if you notice serious damage such as cracks or bends.
- During installation, please use work gloves for hand safety.
- Please assemble the unit on carpeted floor or the flat cardboard box to avoid scratching the surface or your floor while assembling on the floor.
- To assemble, please use the complimentary installation tools (Phillips screwdriver). Pay more attention to the direction of components at each steps.
- It is recommended that two people work together to assemble the product.
- Please do not tighten the screws up too much, just to 80% before you finish to make the installation successful.

RETURN POLICY

- We believe you will absolutely love your new product. But for some reason you want to return your item, please contact us within 30 days after receiving and ensure that the product which you want to return is in a good condition in the original box with all original certificates of purchase, manuals and accessories attached.

HOW TO MAINTAIN YOUR PRODUCT:

- Check the screws of the product are not loose from regular use.
- Do not use sharp instruments, rubbing alcohol, corrosive chemicals, or abrasive cleaners to clean the product.
- Do not keep the product in a damp environment for a long period of time. The damp environment may cause the iron components to rust and the plates to bulge and crack.

Limited Liability & Warning

No Unauthorized Modifications/Repairs: Do not modify or attempt to repair this product unless you are an authorized technician. Unauthorized actions may create hazards and void all warranties

Misuse & Non-Compliance: We are not liable for any injury, damage, or loss resulting from:

- (a) misuse, abuse, neglect, or improper installation;
- (b) failure to follow instructions or safety precautions;
- (c) use of unauthorized parts/accessories;
- (d) unauthorized modifications/repairs;
- (e) accidents, natural disasters, or external causes.

If you doubt any step of installation or operation, stop using the product and contact authorized service or the customer support.

LIMITACIÓN DE RESPONSABILIDAD Y ADVERTENCIA

Modificaciones o Reparaciones No Autorizadas: NO modifique ni intente reparar este producto a menos que sea un técnico autorizado. Las acciones no autorizadas pueden generar riesgos y anularán todas las garantías.

Uso Indebido e Incumplimiento: No asumimos responsabilidad alguna por lesiones, daños o pérdidas que resulten de:

- (a) uso indebido, abuso, negligencia o instalación incorrecta;
- (b) incumplimiento de las instrucciones o precauciones de seguridad;
- (c) uso de piezas o accesorios no autorizados;
- (d) modificaciones o reparaciones no autorizadas;
- (e) accidentes, desastres naturales o causas externas.

Si tiene dudas sobre algún paso de la instalación o el funcionamiento, deje de usar el producto y póngase en contacto con el servicio técnico autorizado o con atención al cliente.