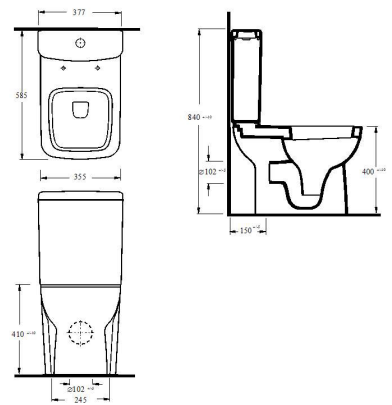


CUSTOMER DATA SHEET

DESCRIPTION:

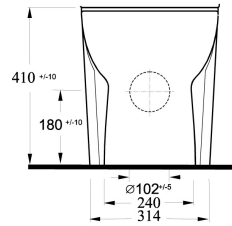
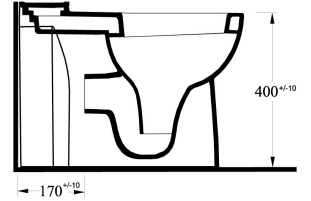
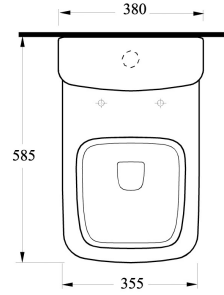
Short Projection Pan Cistern & Seat



CUSTOMER DATA SHEET - CERAMICS

DESCRIPTION:

Cc Short Projection Pan



PRODUCT DIMENSIONS

| Height (mm) | Width (mm) | Depth (mm) | Nett Wgt Kg |
|-------------|------------|------------|-------------|
| 410 | 355 | 585 | 26.7 |

PACKAGING DIMENSIONS

| Height (mm) | Width (mm) | Depth (mm) | Gross Wgt Kg |
|-------------|------------|------------|--------------|
| 700 | 440 | 440 | 26.7 |

PACKAGING DATA

| | | | |
|------------|-------------------------------|--------------|-------------|
| Box Colour | Brown Cardboard Box - Printed | | |
| Box Qty | 1 | Label Colour | White Label |
| Label Size | 100 x 50 | Label Qty | 2 |

OUTER BOX DIMENSIONS (If Applicable)

| Height (mm) | Width (mm) | Depth (mm) | Gross Wgt Kg |
|-------------|------------|------------|--------------|
| | | | |

PRODUCT DETAILS

| | |
|---------------------|--------|
| Country of Origin | Turkey |
| Fitting Instruction | No |

| | | | | | | |
|------------------|----------------|-----|------|-----|-------------|-----|
| Certification | CE | Yes | WRAS | N/A | WRAS Number | N/A |
| Product Material | Vitreous China | | | | | |

PANS/BIDETS

| | | | |
|------------|--------|---------------|----|
| Trap Style | P Trap | Includes Seat | No |
|------------|--------|---------------|----|

CISTERNS

| | | | |
|------------|----------------|----------------|----------------|
| Fittings | Not Applicable | Operating Type | Not Applicable |
| Lever Type | Not Applicable | | |

SEAT

| | | | |
|------------|----------------|----------------|----------------|
| Type | Square | Function | Not Applicable |
| Material | Not Applicable | | |
| Hinge Type | Top Fix | Hinge Material | Not Applicable |

BASINS

| | | | |
|------------------|----------------|------------------|----------------|
| Tap Hole | Not Applicable | Chain Stay Hole | Not Applicable |
| Template | Not Applicable | Waste Type Req'd | Not Applicable |
| Overflow Incl. | Not Applicable | Overflow Cover | Not Applicable |
| Inner Bowl Depth | N/A | | |

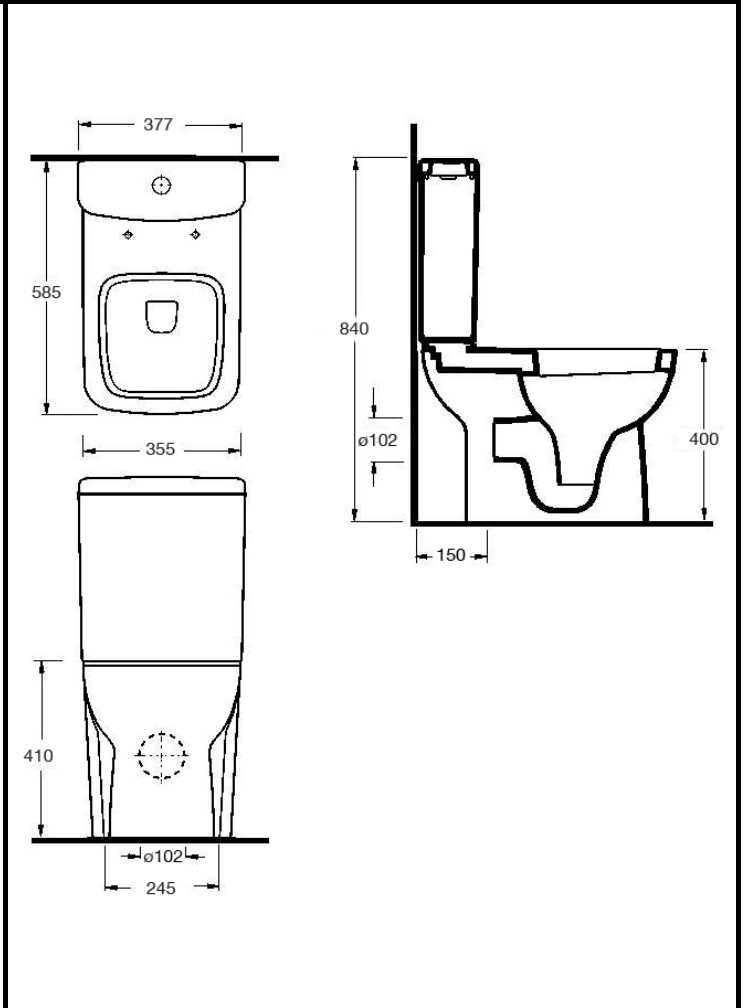
GENERAL

| | |
|-----------------|----|
| Fixing Supplied | No |
|-----------------|----|

CUSTOMER DATA SHEET - CERAMICS

DESCRIPTION:

Cc Short Projection Cistern & Fittings



| PRODUCT DIMENSIONS | | | |
|--------------------|------------|------------|-------------|
| Height (mm) | Width (mm) | Depth (mm) | Nett Wgt Kg |
| 420 | 380 | 145 | 13.8 |

| PACKAGING DIMENSIONS | | | |
|----------------------|------------|------------|--------------|
| Height (mm) | Width (mm) | Depth (mm) | Gross Wgt Kg |
| 380 | 185 | 475 | 13.8 |

| PACKAGING DATA | | | |
|----------------|-------------------------------|--------------|-------------|
| Box Colour | Brown Cardboard Box - Printed | | |
| Box Qty | 1 | Label Colour | White Label |
| Label Size | 100 x 50 | Label Qty | 2 |

| OUTER BOX DIMENSIONS (If Applicable) | | | |
|--------------------------------------|------------|------------|--------------|
| Height (mm) | Width (mm) | Depth (mm) | Gross Wgt Kg |
| | | | |

| PRODUCT DETAILS | |
|---------------------|--------|
| Country of Origin | Turkey |
| Fitting Instruction | No |

| | | | | | | |
|------------------|----------------|-----|------|-----|-------------|-----|
| Certification | CE | Yes | WRAS | N/A | WRAS Number | N/A |
| Product Material | Vitreous China | | | | | |

| PANS/BIDETS | | | |
|-------------|----------------|---------------|----------------|
| Trap Style | Not Applicable | Includes Seat | Not Applicable |

| CISTERNS | | | |
|------------|-----------------------|----------------|-------------|
| Fittings | Loose 6/3L | Operating Type | Push Button |
| Lever Type | Plastic Chrome Plated | | |

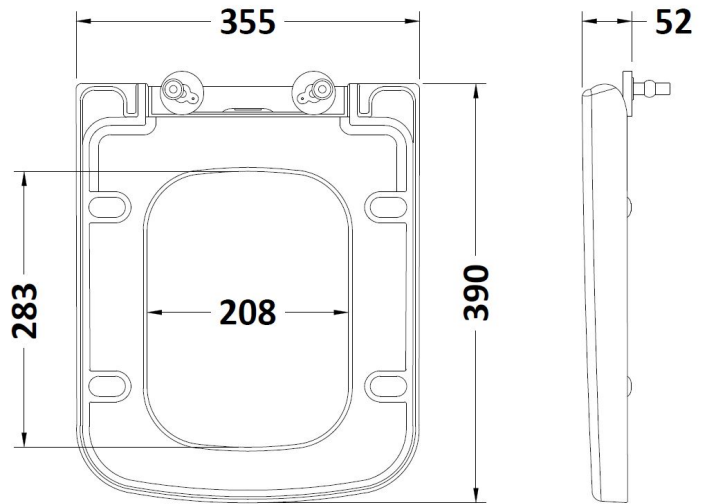
| SEAT | | | |
|------------|----------------|----------------|----------------|
| Type | Not Applicable | Function | Not Applicable |
| Material | Not Applicable | | |
| Hinge Type | Not Applicable | Hinge Material | Not Applicable |

| BASINS | | | |
|------------------|----------------|------------------|----------------|
| Tap Hole | Not Applicable | Chain Stay Hole | Not Applicable |
| Template | Not Applicable | Waste Type Req'd | Not Applicable |
| Overflow Incl. | Not Applicable | Overflow Cover | Not Applicable |
| Inner Bowl Depth | N/A | | |

| GENERAL | |
|-----------------|----|
| Fixing Supplied | No |

CUSTOMER DATA SHEET - TOILET SEATS

DESCRIPTION: Toilet Seat Square Softclose Pp



PRODUCT DIMENSIONS

| Length (mm) | Width (mm) | Height(mm) | Nett Wgt Kg |
|-------------|------------|------------|-------------|
| 390 | 355 | 52 | 2 |

PACKAGING DATA

| | | | |
|------------|-------------------------------|--------------|----------------|
| Box Colour | White Cardboard Box - Printed | | |
| Box Qty | 1 | Label Colour | Not Applicable |
| Label Size | 100 x 50 | Label Qty | 1 |

PACKAGING DIMENSIONS

| Length (mm) | Width (mm) | Height (mm) | Gross Wgt Kg |
|-------------|------------|-------------|--------------|
| 445 | 377 | 60 | 2.73 |

OUTER BOX DIMENSIONS (If Applicable)

| Length (mm) | Width (mm) | Height (mm) | Gross Wgt Kg |
|-------------|------------|-------------|--------------|
| 165 | 165 | 685 | |

PRODUCT DETAILS

| | | | |
|---------------------|---------------|------------------|----------------|
| Country of Origin | Turkey | CE Certification | Not Applicable |
| Fitting Instruction | No | Colour/Finish | White |
| Product Material | Polypropylene | Fixing Method | Top Fix |
| Seat Type | Square | Seat Function | Soft Close |
| Hinge Centres (Min) | | Hinge Material | Polypropylene |
| Hinge Centres (Max) | 113 | | |