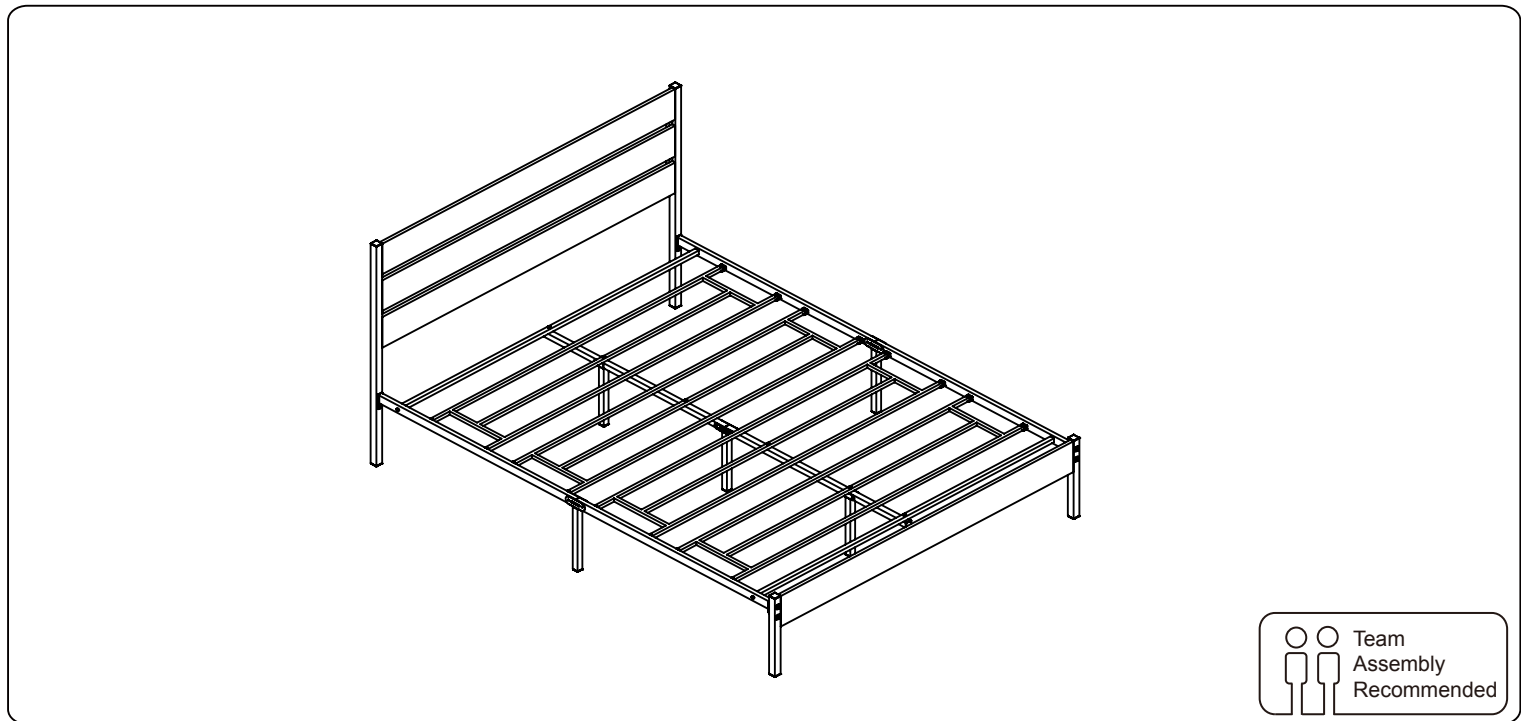


Bed Frame Installation Manual



Componets		Screws & Tools		
	① x1	(A)	M8x45mm	x4
	② x1	(B)	M6x50mm	x2
	③ x1	(C)	M6x35mm	x8
	④ x1	(D)	M6x25mm	x17
	⑤ x1	(E)	M6x20mm	x16
	⑥ x1	(F)	M6x12mm	x6
	⑦ x1	(L)	M8	x8
	⑧ x4	(M)	M6x20mm	x4
	⑨ x2	(N)	M4	x2
	⑩ x3			

1 Note: For easy setup intention, do not tighten screws during the installation process

(D) M6x25
4pcs

(N) M4
2pcs

(D) M6x25
9pcs

(F) M6x12
6pcs

(N) M4
2pcs

