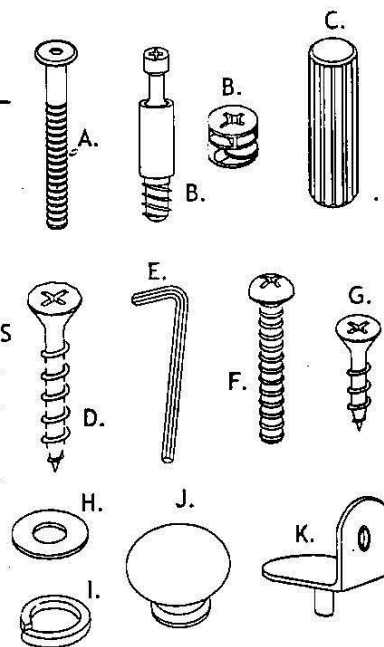


TV CORNER



HARDWARE LIST

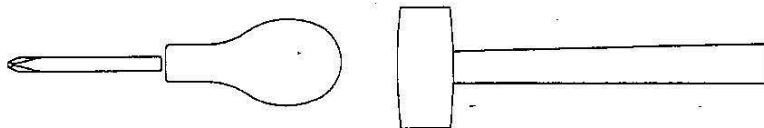
A. JCBC BOLT M6 x 35MM	8 PCS
B. MINIFIT	2 PCS
C. WOOD DOWEL M10 x 40MM	6 PCS
D. WOOD SCREW M4 x 25MM	8 PCS
E. M4 ALLEN KEY	1 PC
F. PAN HEAD SCREW-M3.5 x 35MM	1 PC
G. WOOD SCREW M3.5 x 16MM	20 PCS
H. FLAT WASHER 1/4"	8 PCS
I. SPRING WASHER 1/4"	8 PCS
J. WOODEN KNOB	1 PC
K. SHELF SUPPORT PIN	4 PCS



PART LIST

1. TOP PANEL	1 PC
2. SHELF PANEL	1 PC
3. BOTTOM PANEL	1 PC
4. SIDE PANEL RIGHT	1 PC
5. SIDE PANEL LEFT	1 PC
6. BACK SUPPORT RAIL	1 PC
7. BOTTOM PANEL SUPPORT RAIL	1 PC
8. DRAWER HEAD	1 PC
9. DRAWER RIGHT SIDE PANEL	1 PC
10. DRAWER LEFT SIDE PANEL	1 PC
11. DRAWER BACK PANEL	1 PC
12. DRAWER BTM PANEL	1 PC
13. BACK PANEL	1 PC

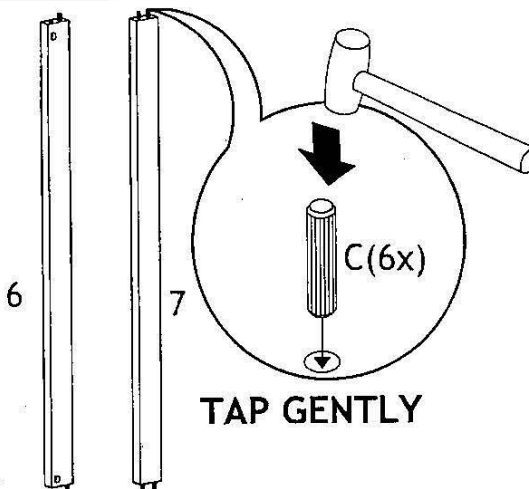
TOOLS REQUIRED (NOT INCLUDED) :



IMPORTANT NOTE :

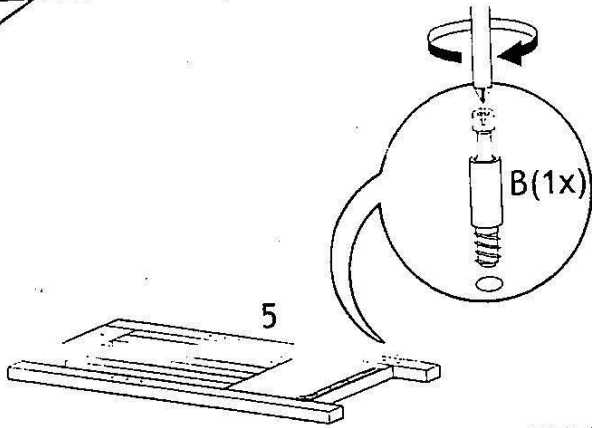
- Place all wooden parts on a clean and smooth surface such as a rug or carpet to avoid the parts from being scratched. Check to be sure that you have all parts and hardware. Remove all wrapping materials, including staples & packing straps before you start to assemble.
- Keep all hardware parts out of reach of children.
- DO NOT TIGHTEN ALL BOLTS/SCREWS UNTIL ALL COMPLETELY ASSEMBLED.**

1

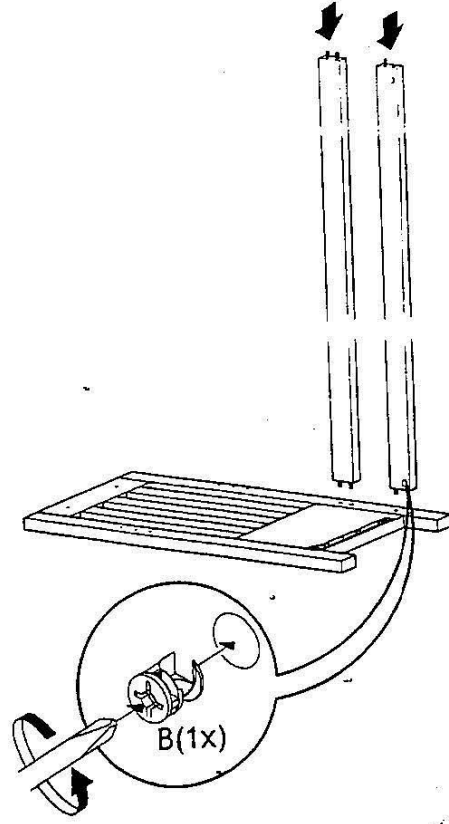


Assembly Instructions
TV CORNER

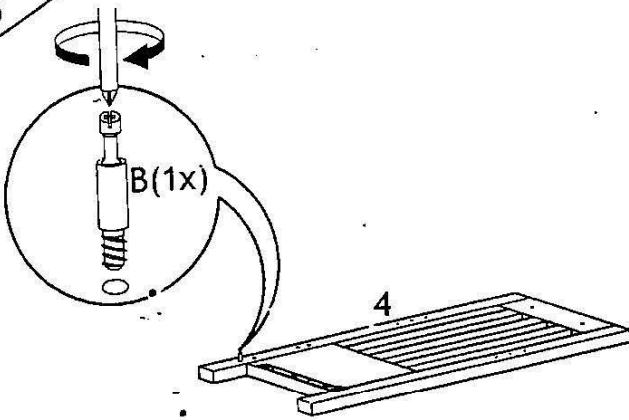
2



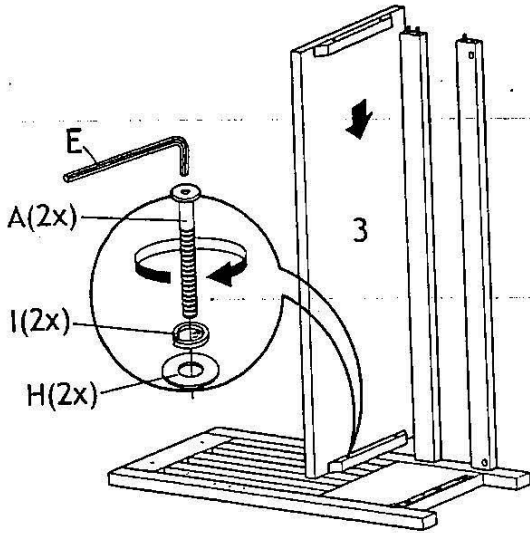
4



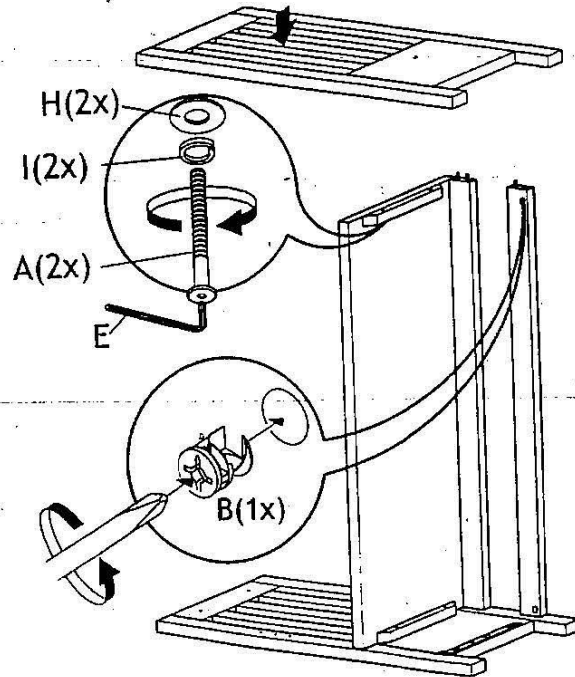
3



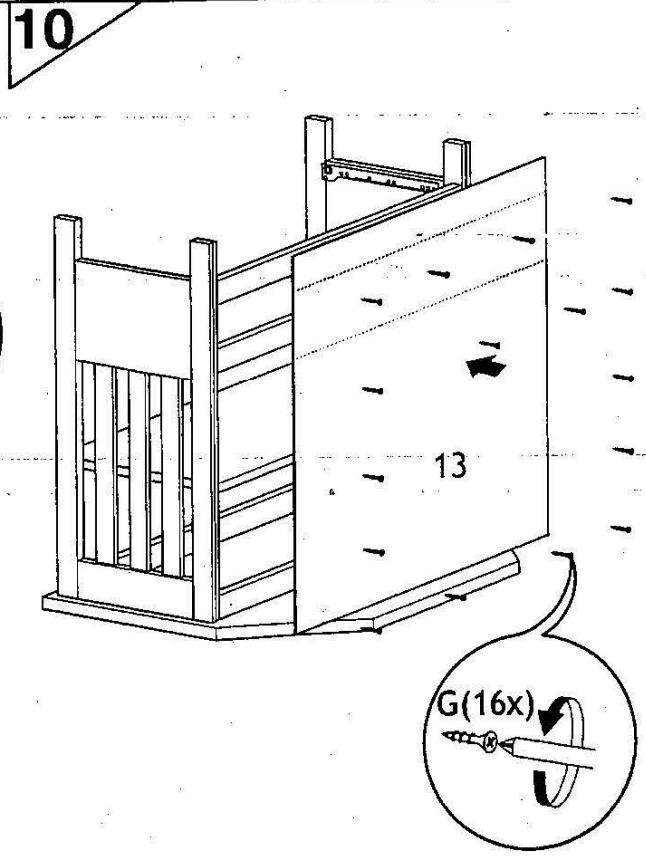
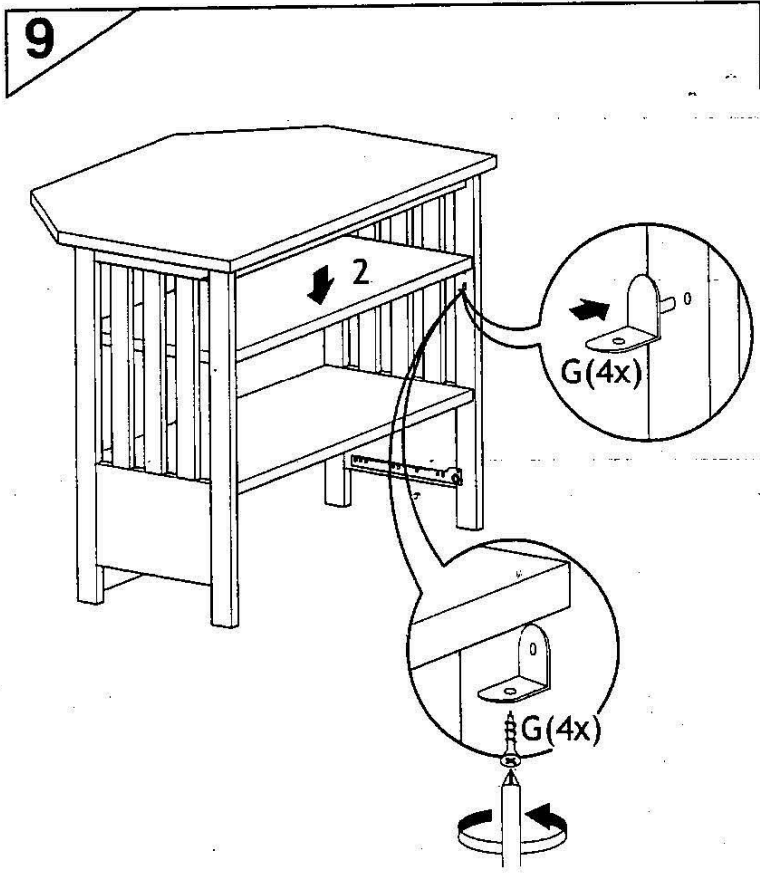
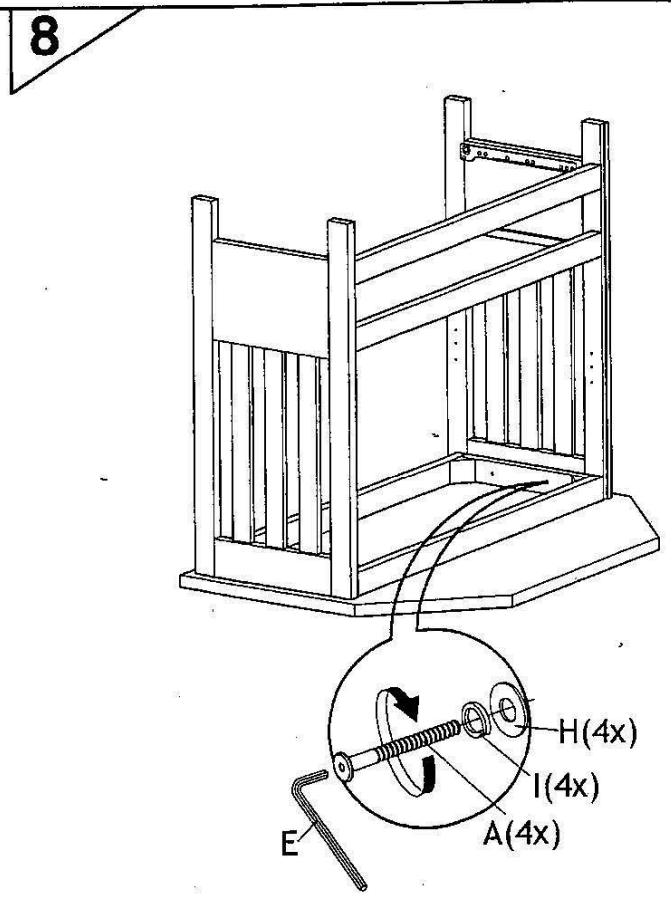
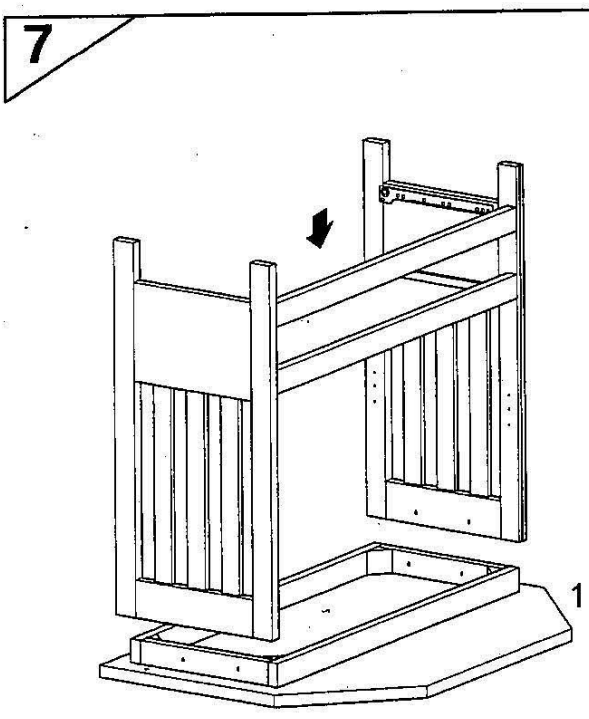
5



6

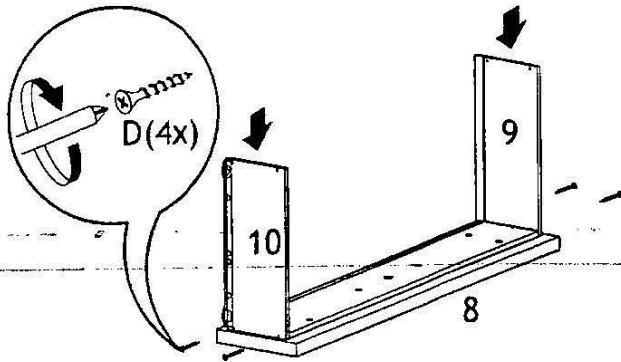


Assembly Instructions
TV CORNER

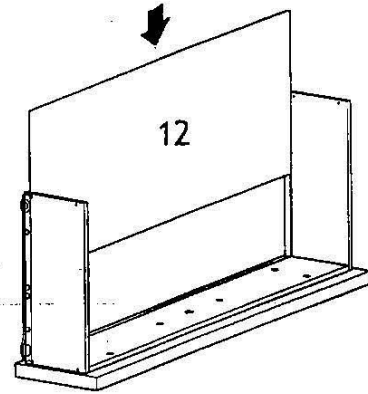


TV CORNER

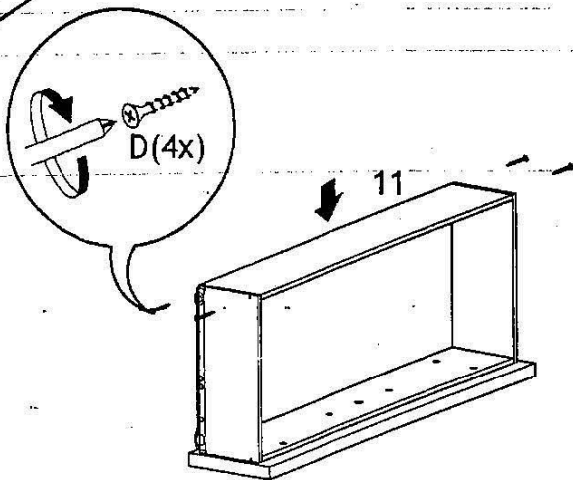
11



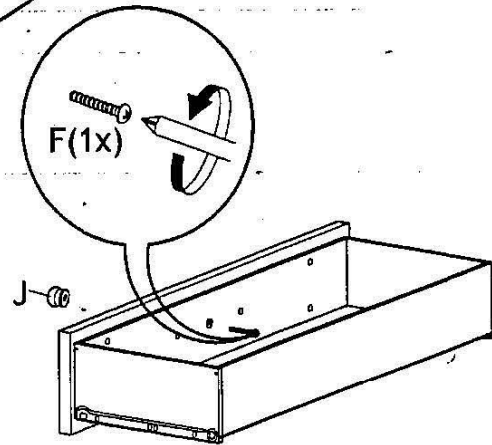
12



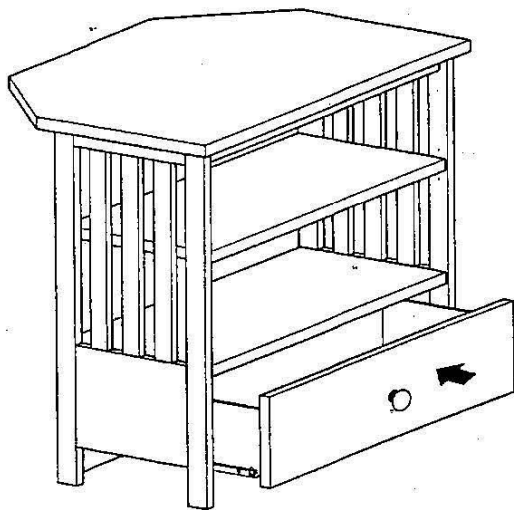
13



14



15



16



CARE AND MAINTENANCE !

- The touch of a soft cloth is all the maintenance your wood pieces will ever need. Never use harsh chemicals or abrasive cleaners, as they could mark or destroy finish.