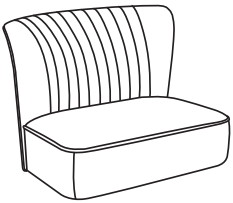
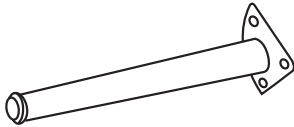


# ASSEMBLY INSTRUCTION

(1) ×1



(2) ×1



(3) ×12



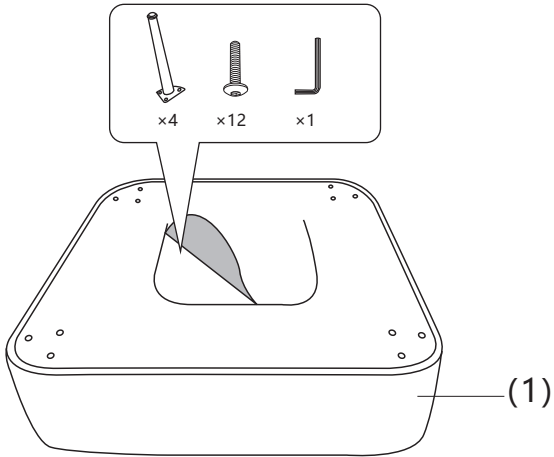
M6×40mm

(4) ×1

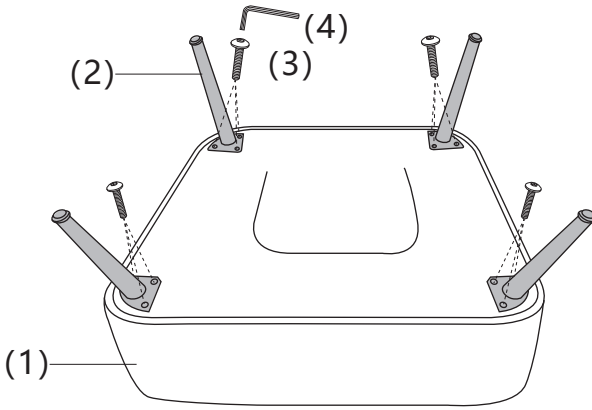


M6

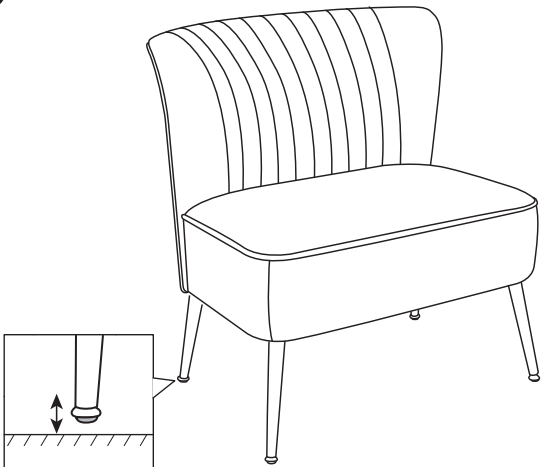
①



②



③



④

