

2-seat Patio Porch Swing

ASSEMBLY MANUAL



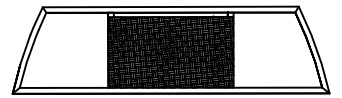
According to the accessory list in the manual. Check whether the accessories in the carton are consistent with the instruction. If you find missing accessories or have questions please consult domiservice



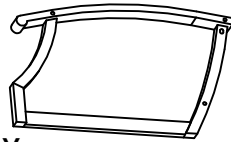
① 4X



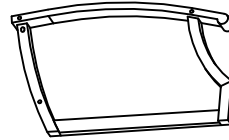
② 1X



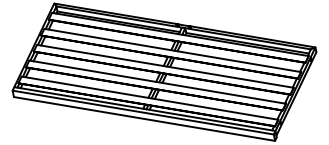
③ 2X



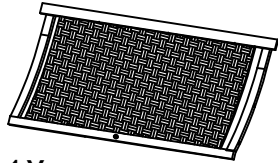
④ 1X



⑤ 1X



⑥ 1X



1X



⑧ 1X



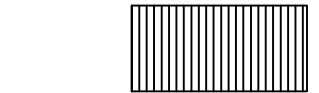
⑨ 1X



⑦

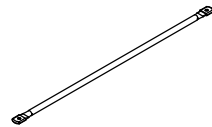


⑩ 2X

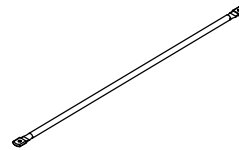


⑪ 2X

⑫ 3X



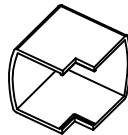
⑬ 2X



⑭ 2X



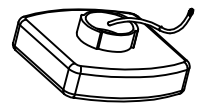
⑮ 1X



⑯ 4X



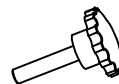
⑰ 1X



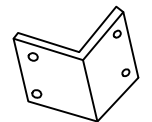
⑱ 1X



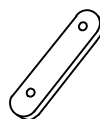
⑲ 2X



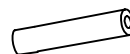
⑳ 2X



㉑ 4X



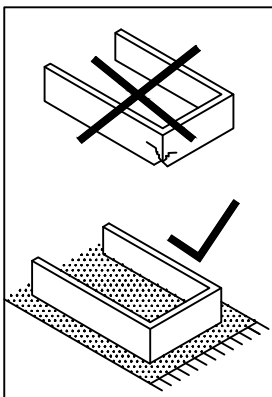
㉒ 4X









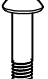





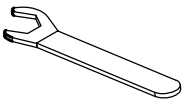
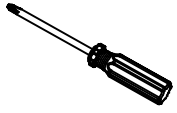


㉓ 1X









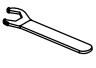
㉔ 1X

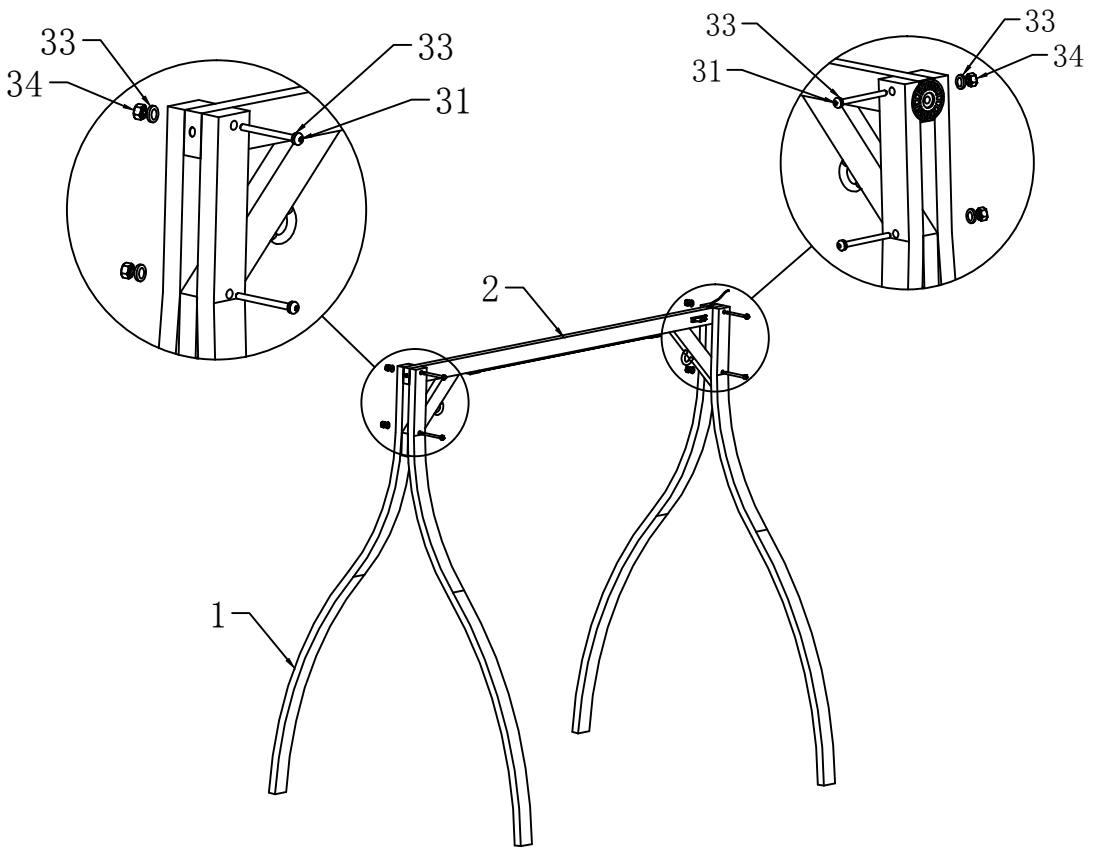


1





 25 24X M5*10	 26 3X M6X18	 27 4X M6X28
 28 8X M6X32	 29 5X M6X42	 30 4X M8X25
 31 4X M8X100	 32 19X D6	 33 12X D8
 34 4X M8	 35 1X S4	 36 1X S5
 37 1X	 38 1X	
 39 1X	 40 2X	

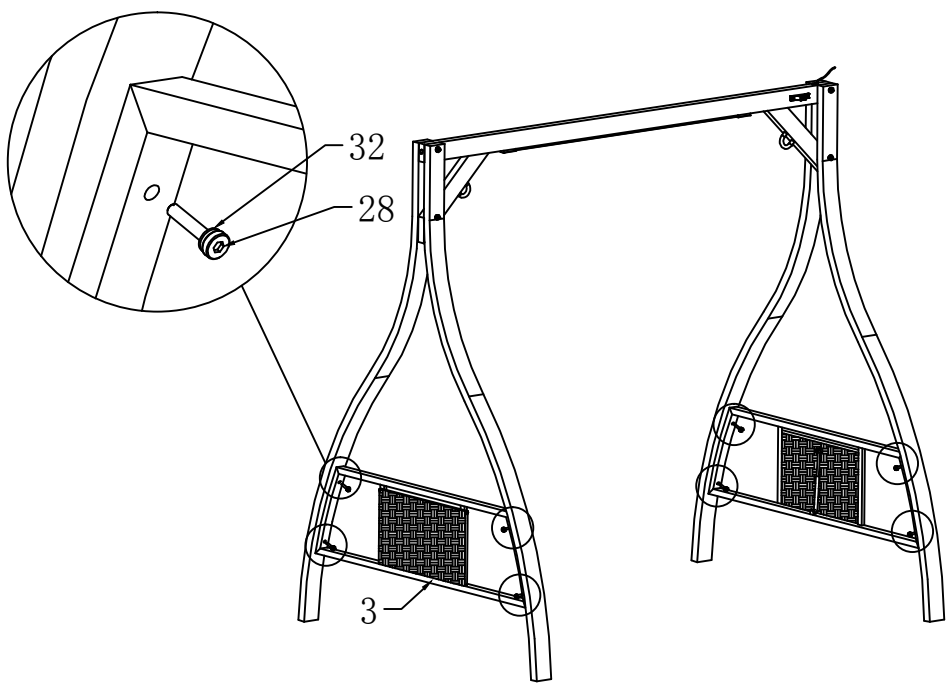


- ① 4X 
- ② 1X 
- ③① 4X M8X100 
- ③③ 8X D8 
- ③④ 4X M8 
- ③⑥ 1X S5 
- ③⑦ 1X 





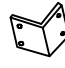





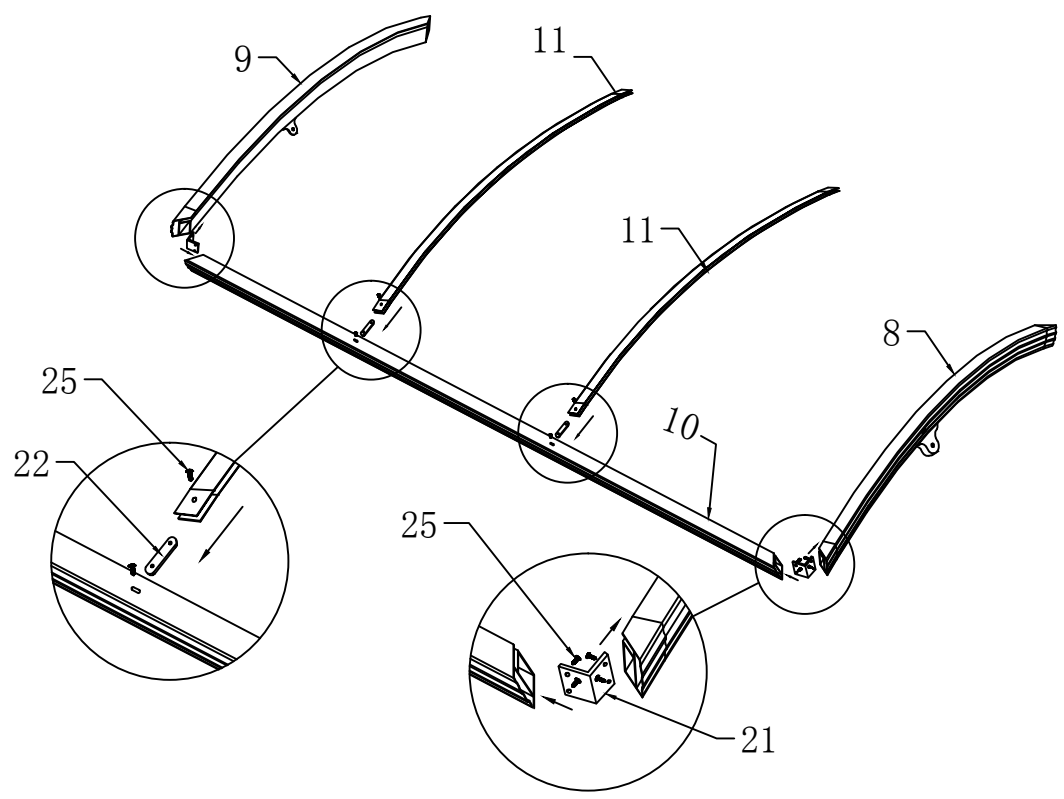
Step 1: Connect 4 legs part 1 to part 2 using screws 31#,33#,34# as shown as shown

- ③ 2X 
- ②⑧ 8X M6X32 
- ③② 8X D6 
- ③⑤ 1X S4 









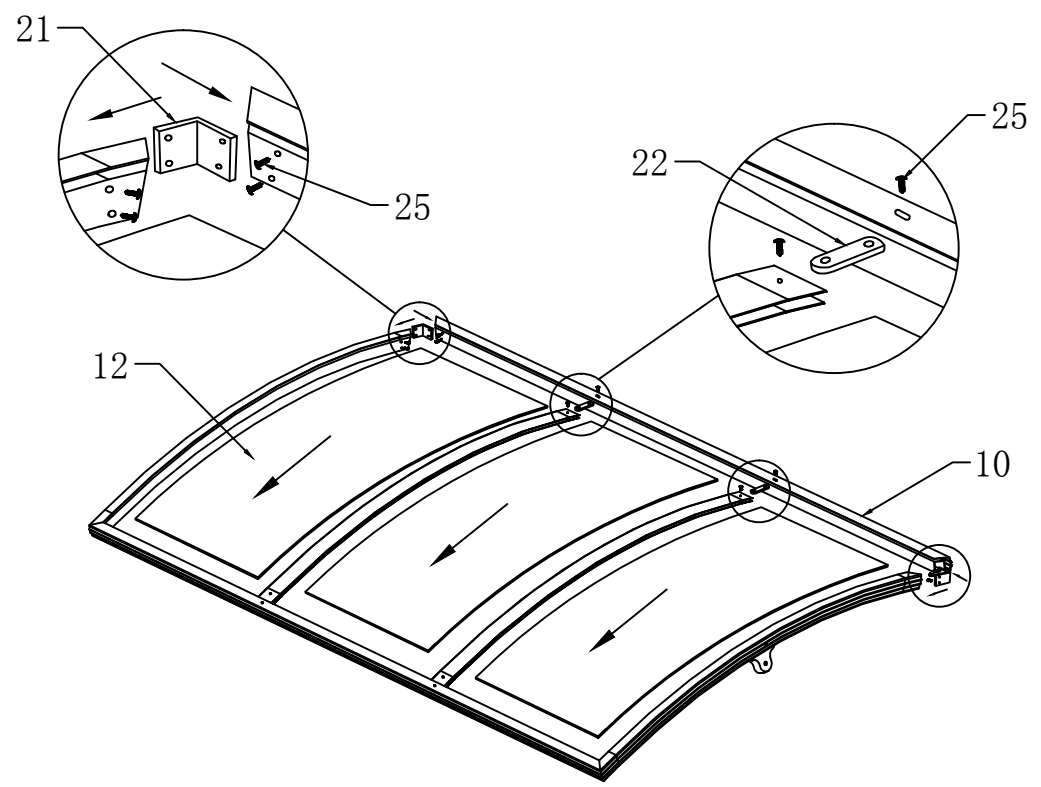
Step 2: Connect part 3 to the leg part 1 using screw 28# and part 32 as shown

- ⑧ 1X 
- ⑨ 1X 
- ⑩ 1X 
- ⑪ 2X 
- ⑳ 2X 
- ㉑ 2X 
- ㉒ 12X  M5*10
- ㉓ 1X 



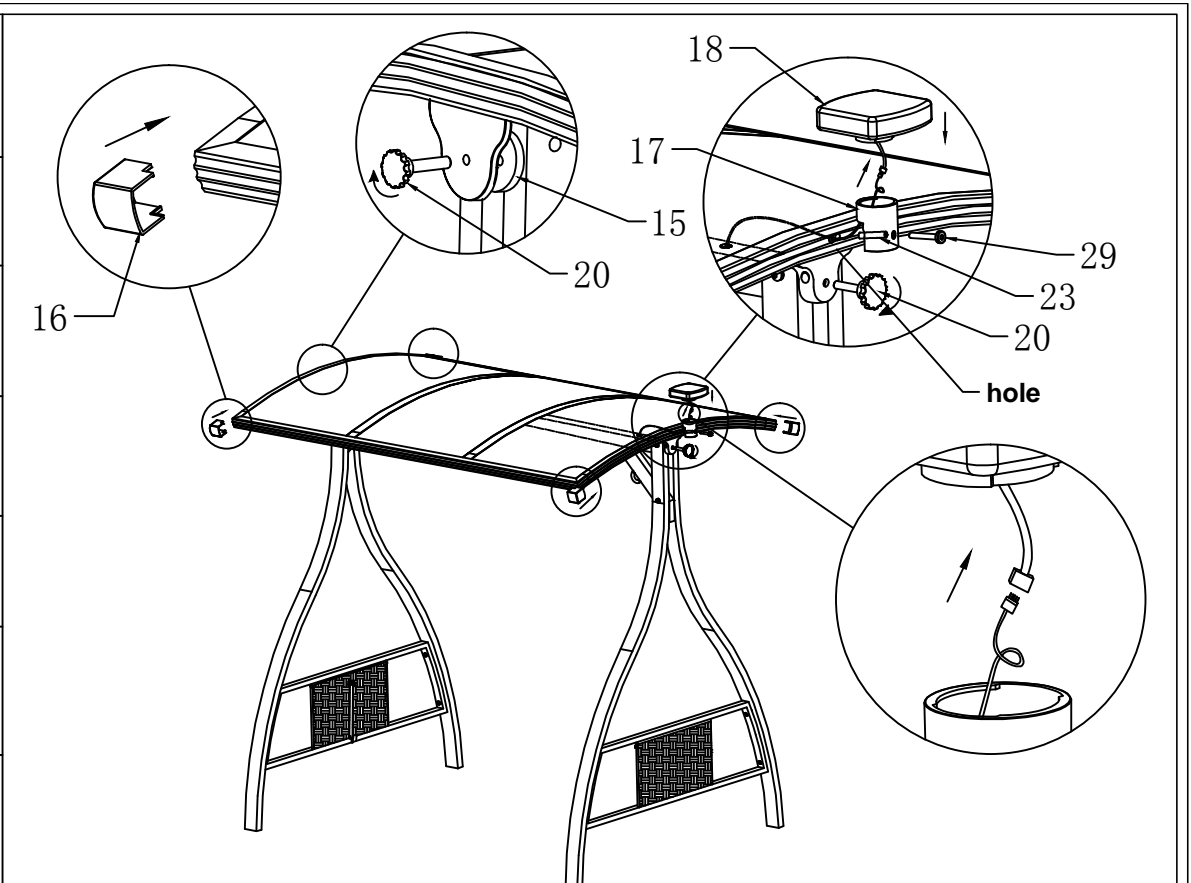
Step 3: Connect part 8,9 to part 10 using part 21 and screw 25#
Connect 2 pieces of part 11 to part 10 using part 22 and screw 25# as shown

- ⑫ 3X 
- ⑩ 1X 
- ⑳ 2X 
- ㉑ 2X 
- ㉒ 12X  M5*10
- ㉓ 1X 



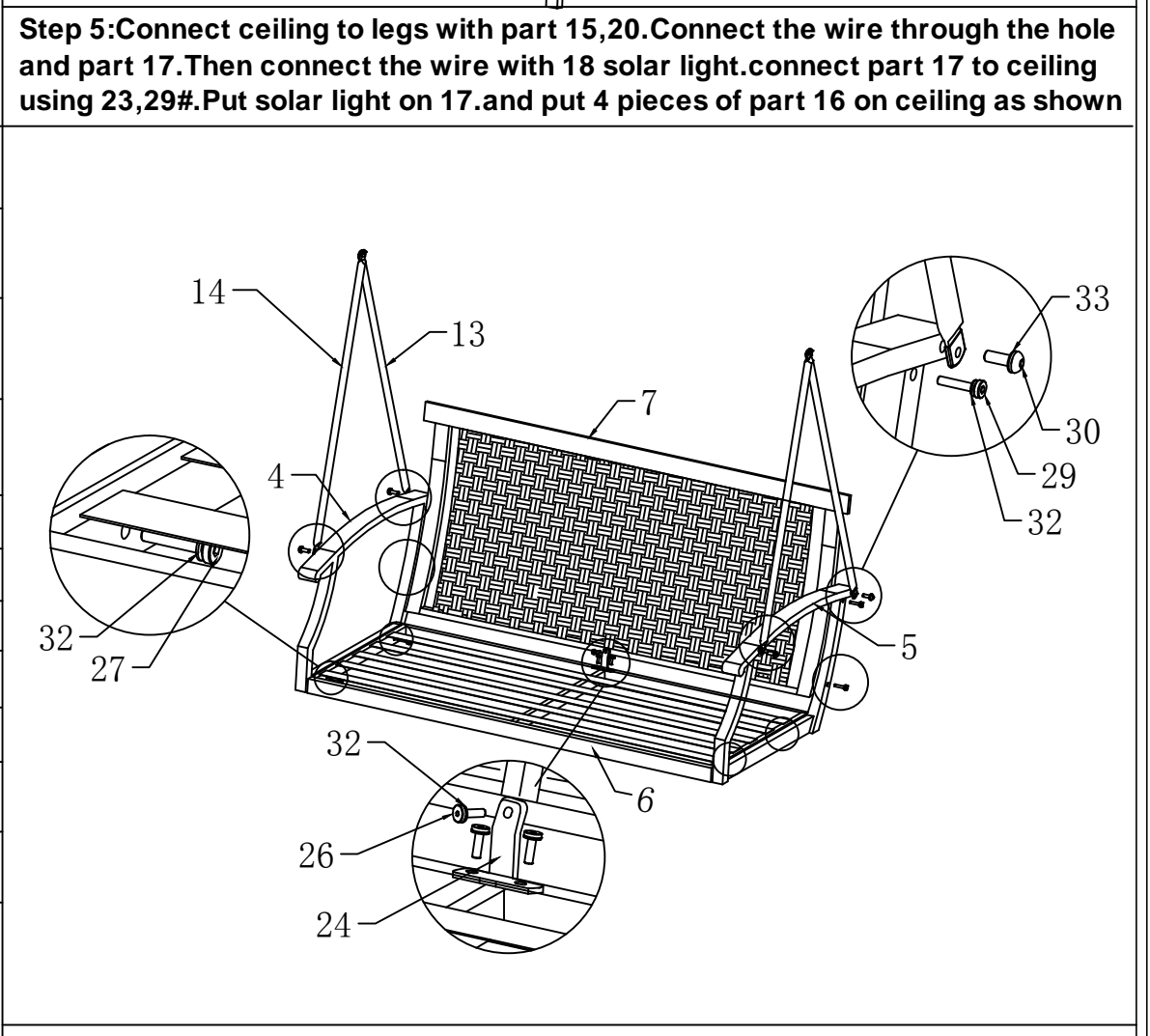
Step 4: Put 3 pieces of part 12 in the ceiling and connect part 10 to the ceiling using part 21,22 and screws 25# as shown

15	1X	
16	4X	
17	1X	
18	1X	
20	2X	
29	1X	
23	1X	



Step 5: Connect ceiling to legs with part 15,20. Connect the wire through the hole and part 17. Then connect the wire with 18 solar light. connect part 17 to ceiling using 23,29#. Put solar light on 17. and put 4 pieces of part 16 on ceiling as shown

35	1X	
4	1X	
5	1X	
6	1X	
7	1X	
29	4X	
27	4X	
30	4X	
26	3X	
24	1X	
32	11X	
33	4X	
35	1X	
36	1X	

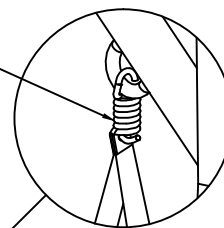


Step 6: Connect part 4,5 into part 6 using 32,27#. Connect part 6 with part 7 using 24,26# and 32. Connect part 13,14 to part 4 using screws 29#,30#, 32,33 as shown

19 2X

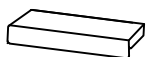


19

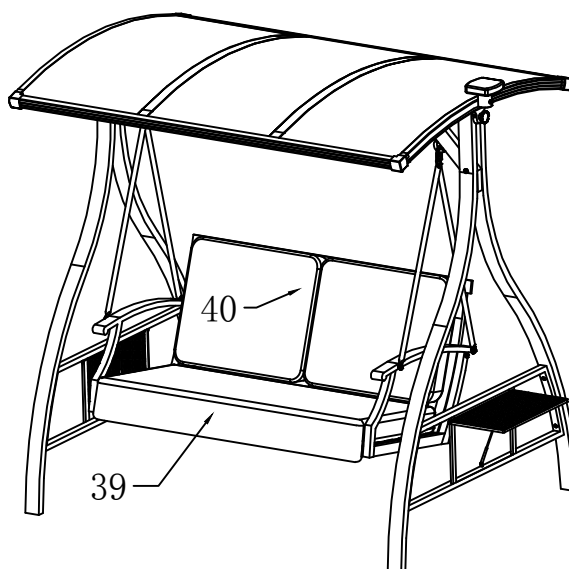


Step 7: Hang the assembled seat back frame on the legs with spring hook part 19 as shown.

39 1X



40 2X



6

Step 8: Put the seat cushion part 39 and back cushion part 40 on as shown