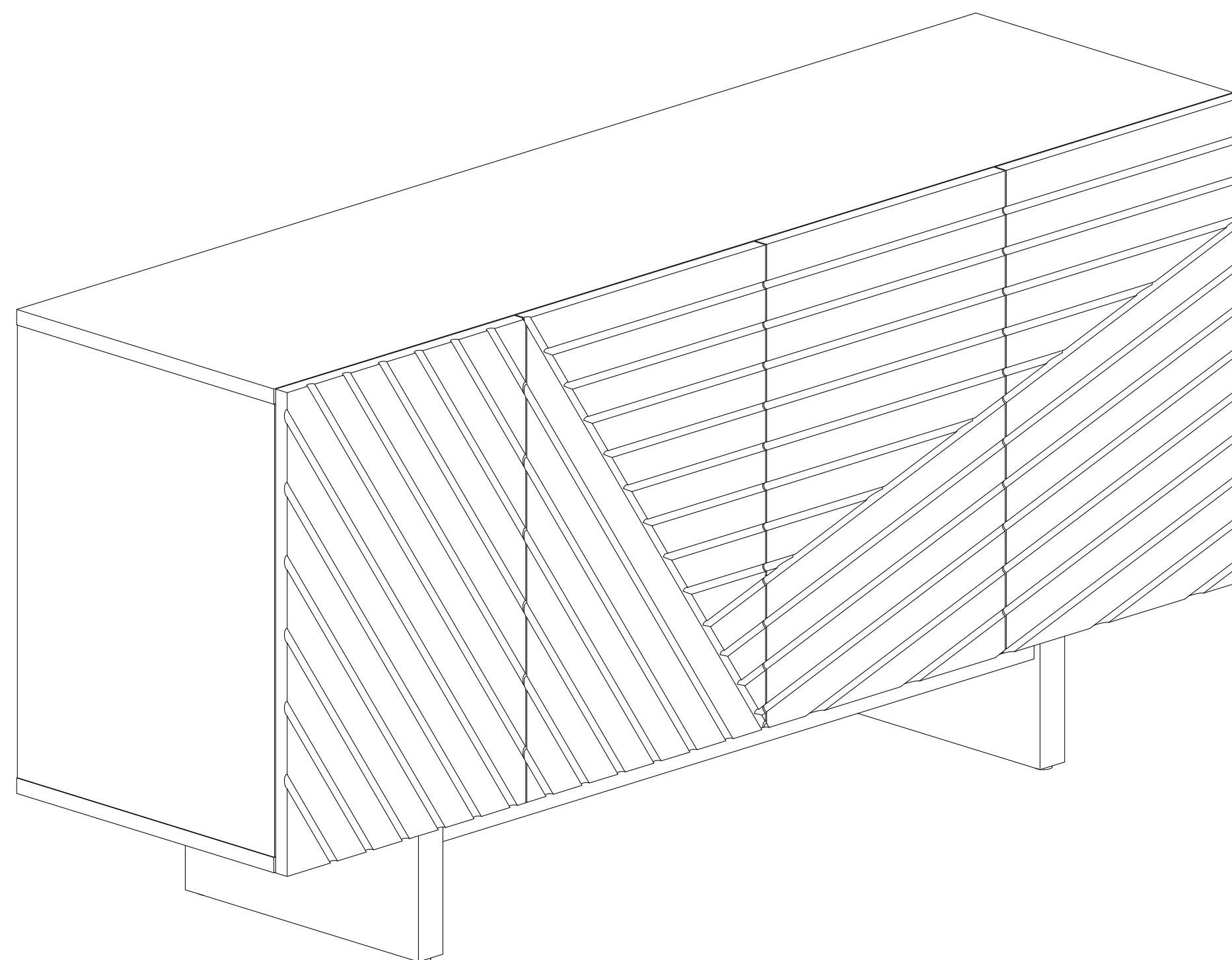


MODEL : WF-W-1663-K-BW/GW

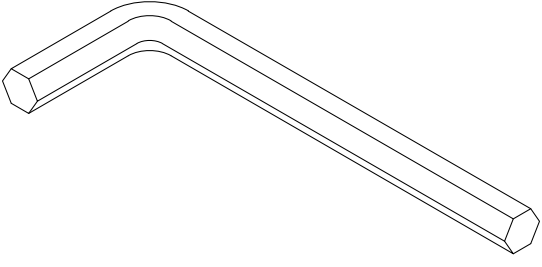
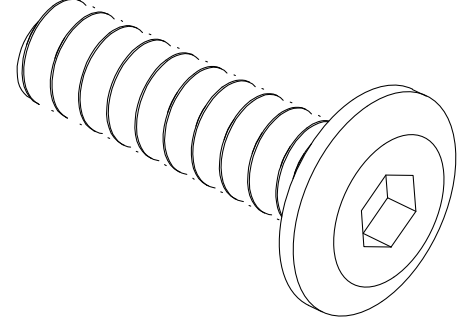
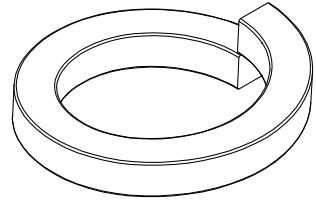
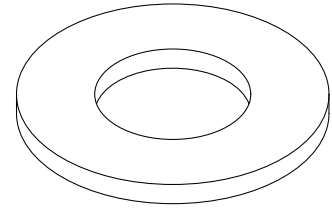
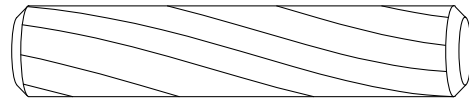
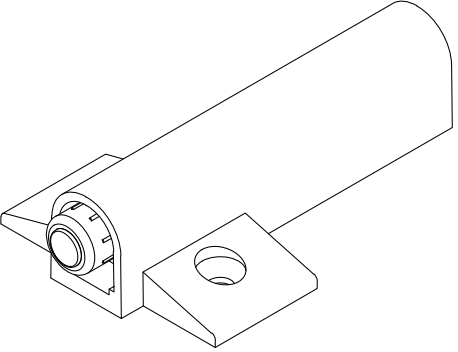
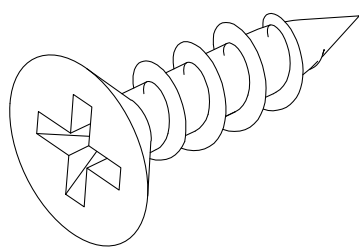
# Assembly Instruction

**TIPS: Before installation, please read the assembly instructions carefully.**

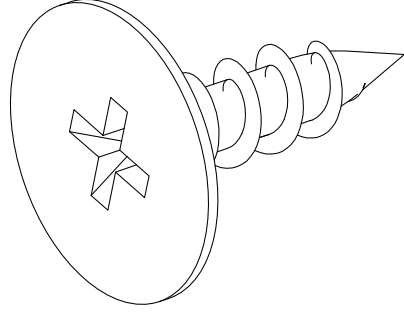
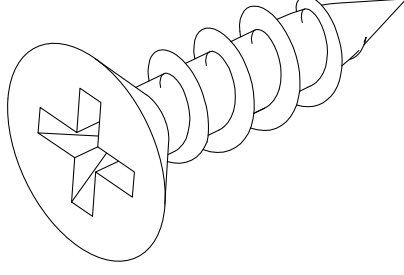
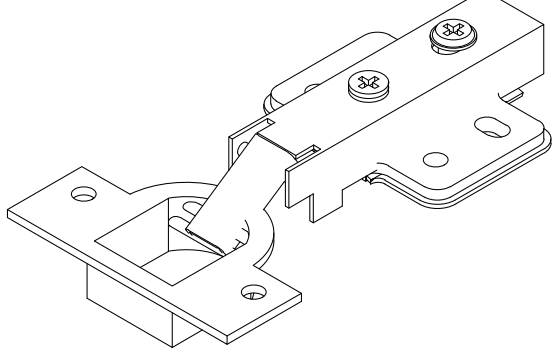
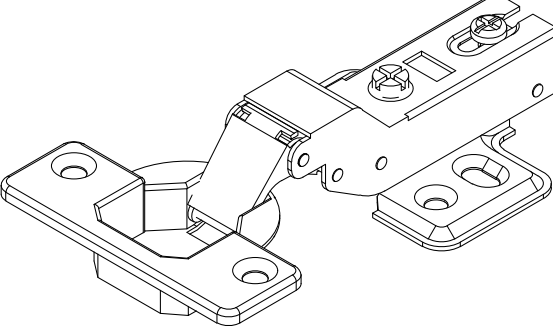
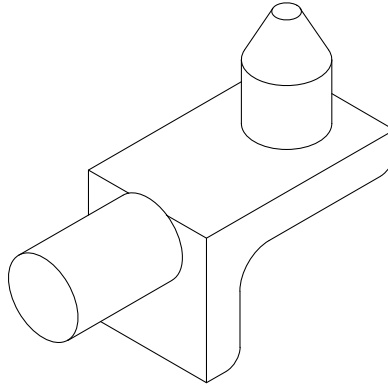
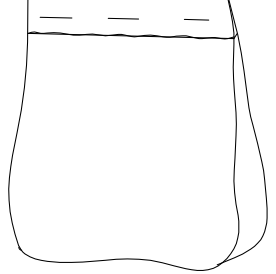


Phone number: 303-747-4421  
Service@clihome.net  
Web: www.clihome.net

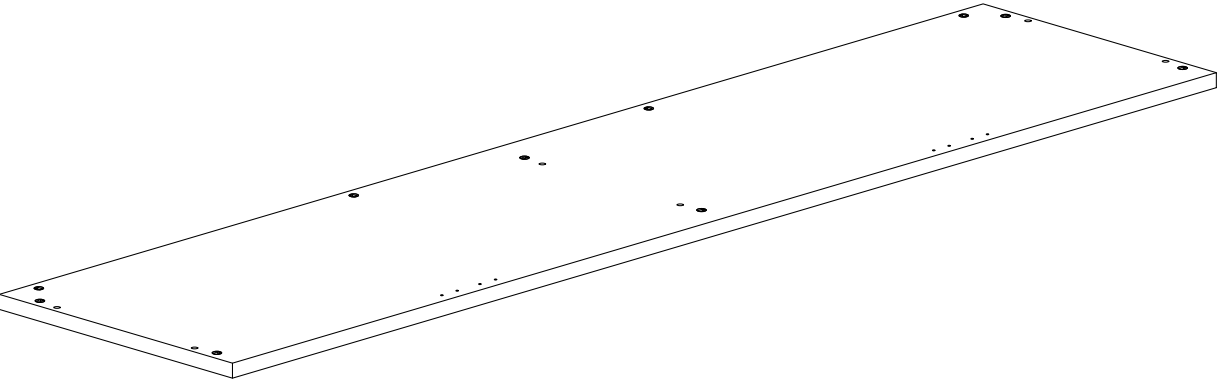
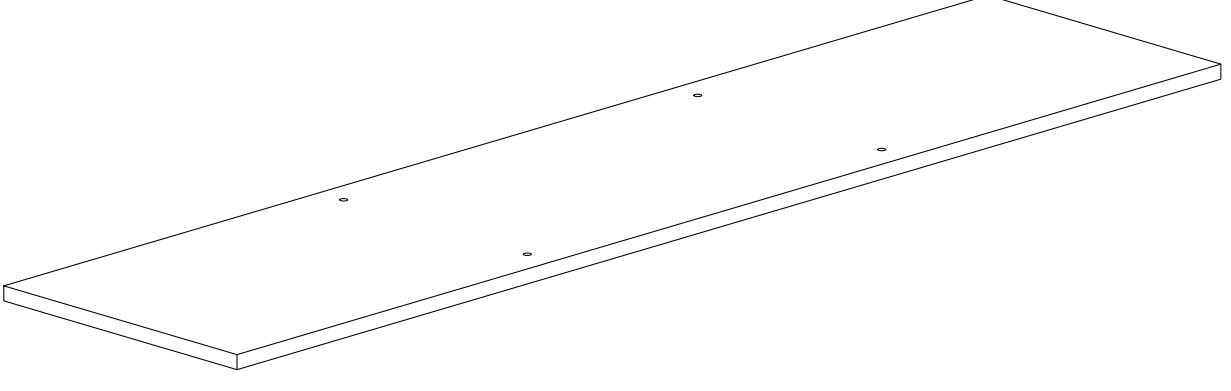
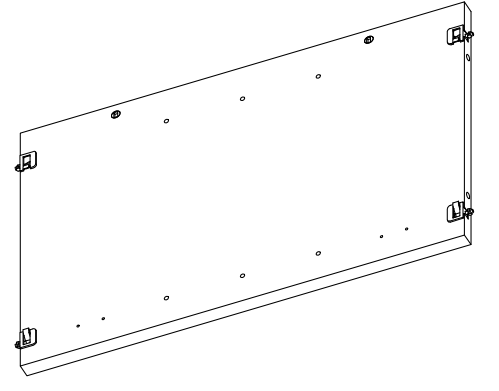
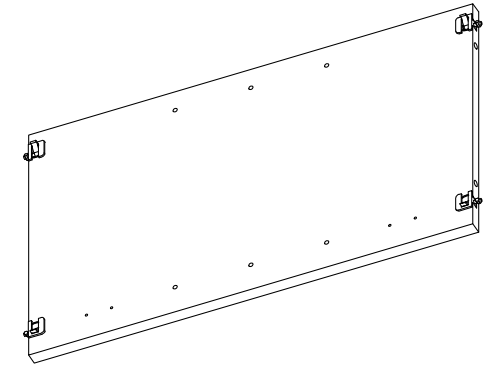
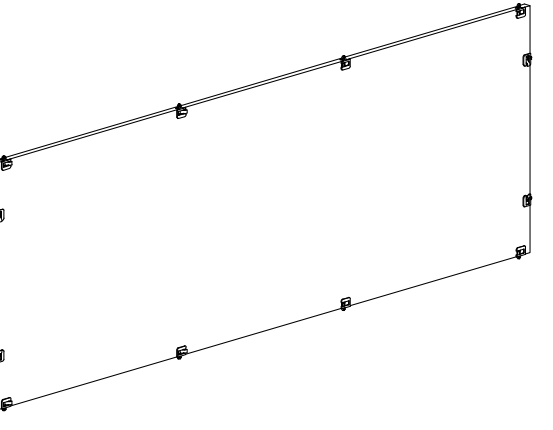
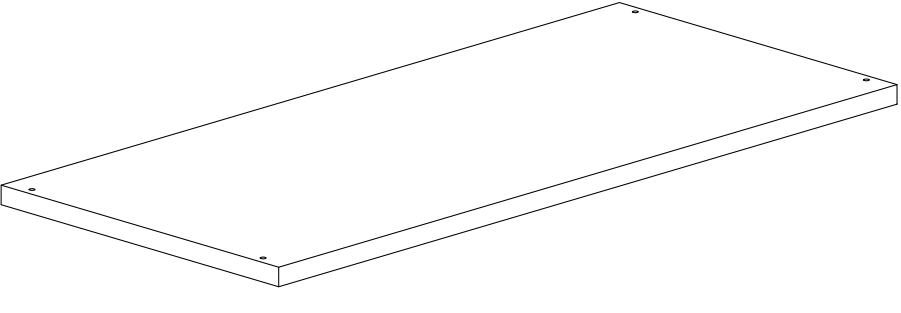
## HARDWARE LIST:

LABEL	PICTURE	DESCRIPTION	QTY
A		ALLEN KEY ( $\phi 4$ )	1PC
B		SCREW (M6*55)	12PCS
C		NUT (M6)	12PCS
D		WASHER ( $\phi 16-\phi 6*1.5$ )	12PCS
E		WOOD PLUG ( $\phi 8*40$ )	12PCS
F		REBOUND DEVICE (74*44*19)	4PCS
G		SCREW (M3.5*10)	8PCS

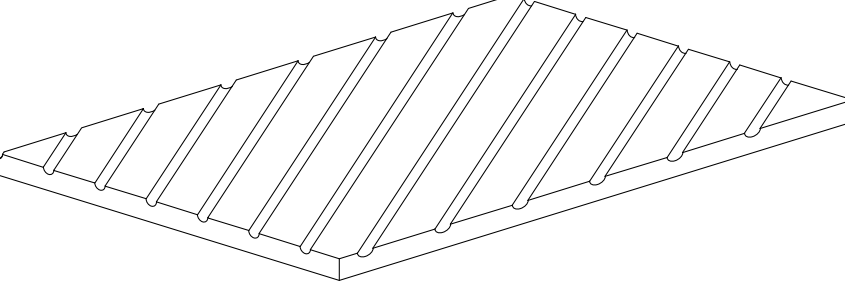
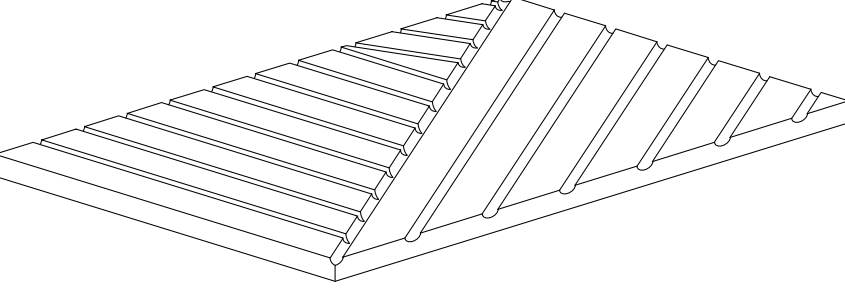
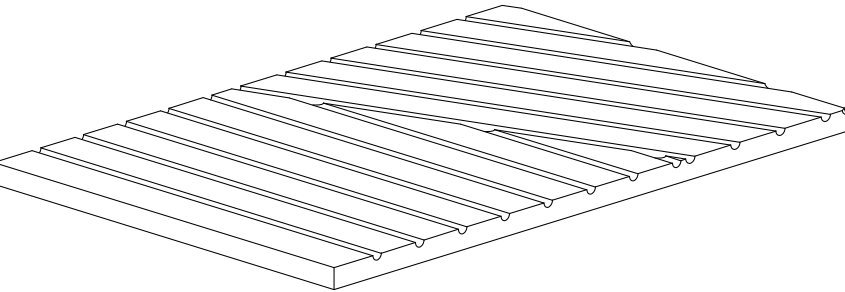
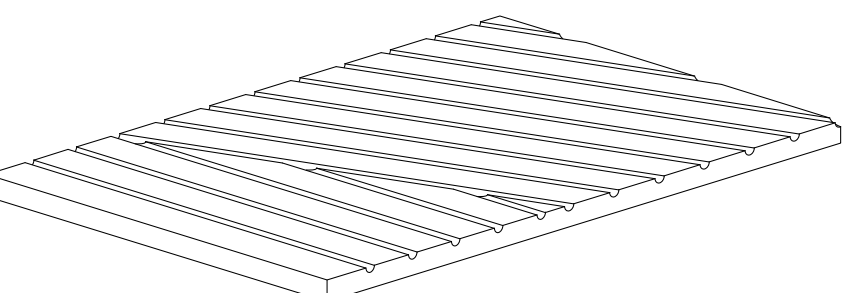
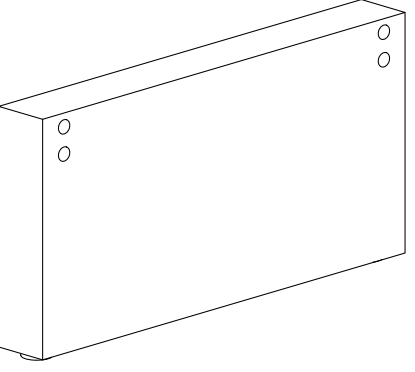
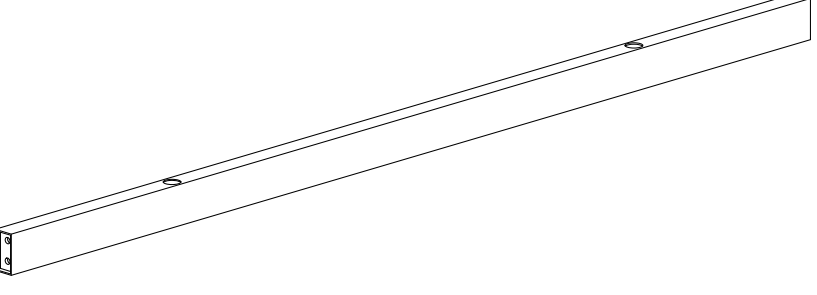
## HARDWARE LIST:

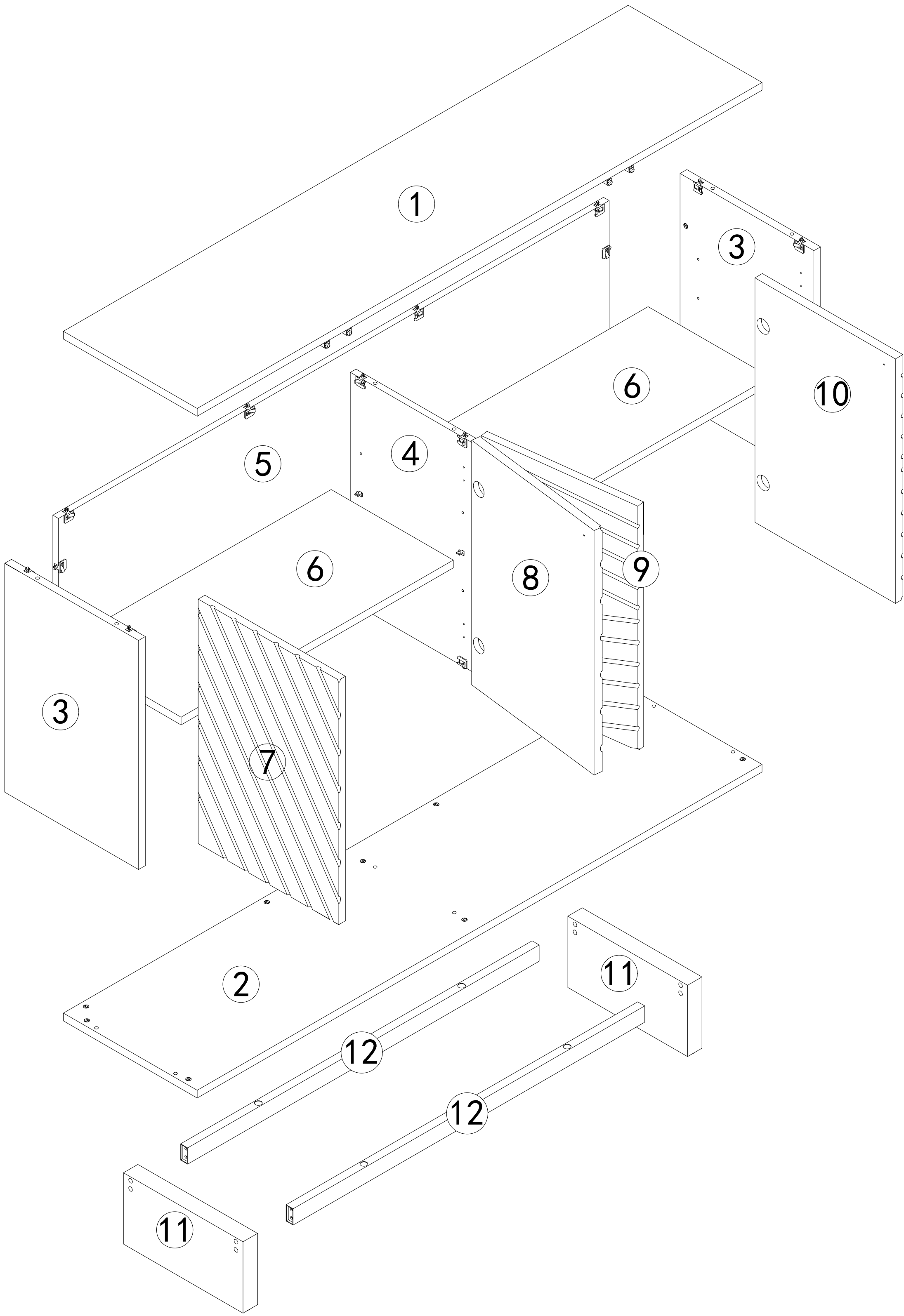
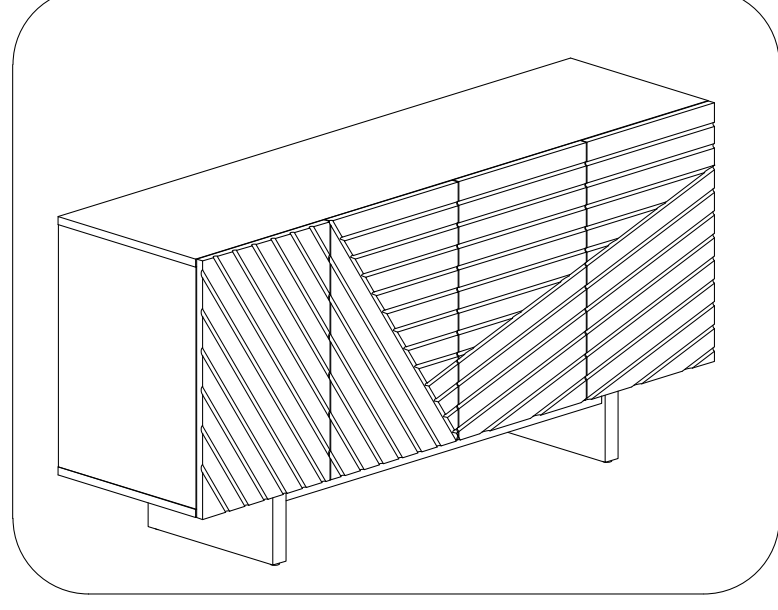
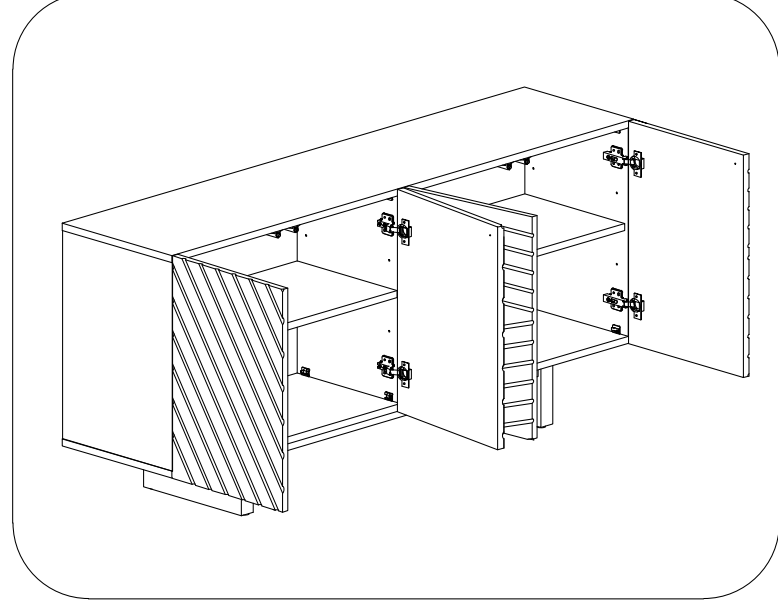
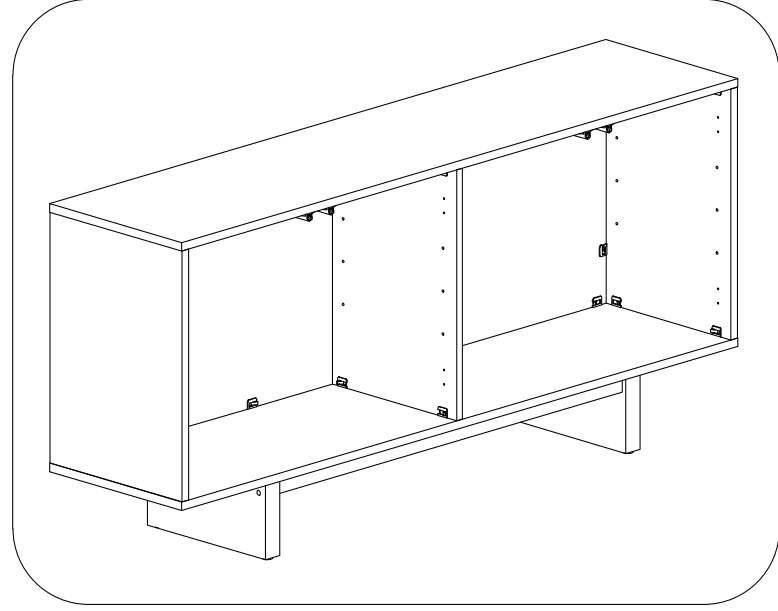
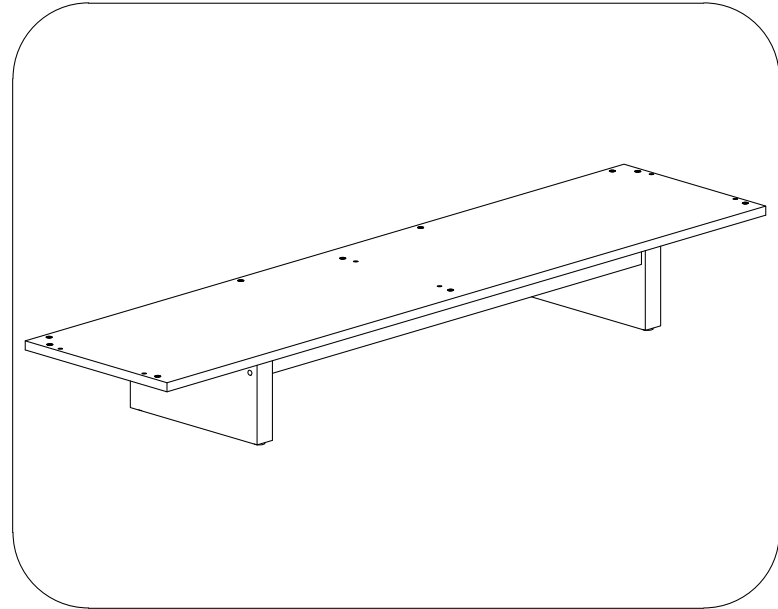
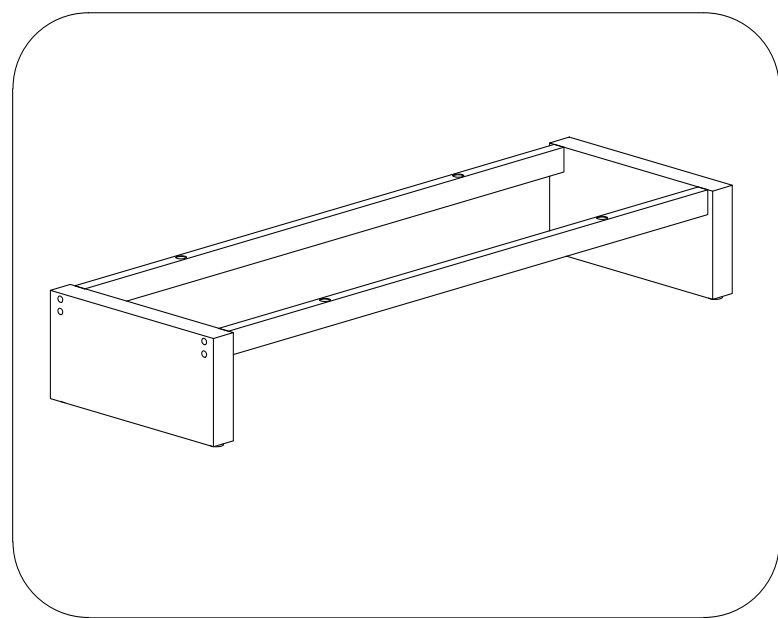
LABEL	PICTURE	DESCRIPTION	QTY
H		SCREW ( $\phi 12-M4*10$ )	4PCS
I		SCREW (M4*16)	48PCS
J		FULL OVERLAY HINGE ( $\phi 35$ )	4PCS
K		HALF OVERLAY HINGE ( $\phi 35$ )	4PCS
L		SHELF SUPPORT (21*16*9)	8PCS
M		TIPPING RESTRAIN	2PCS

### PART LIST:

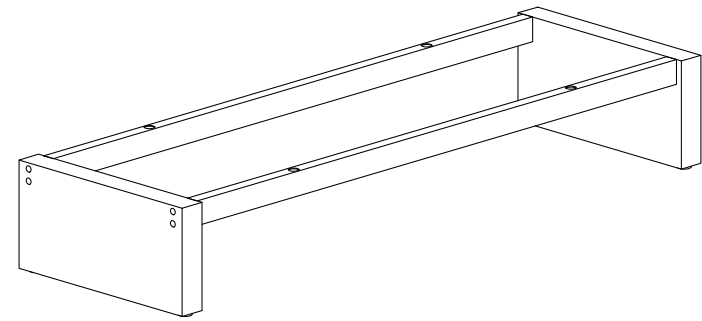
LABEL	PICTURE	DESCRIPTION	QTY
1		TOP PANEL	1PC
2		BOTTOM PANEL	1PC
3		SIDE PANEL	2PCS
4		MIDDLE SIDE PANEL	1PC
5		BACK PANEL	1PC
6		ADJUSTABLE SHELF	2PCS

### PART LIST:

LABEL	PICTURE	DESCRIPTION	QTY
7		LEFT DOOR	1PC
8		LEFT MIDDLE DOOR	1PC
9		RIGHT MIDDLE DOOR	1PC
10		RIGHT DOOR	1PC
11		LEG	2PCS
12		CONNECTING BAR	2PCS

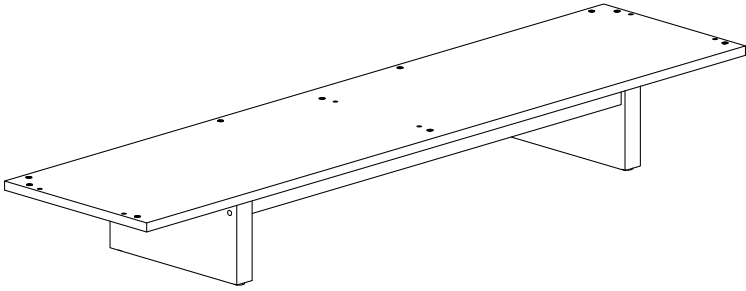


STEP 1

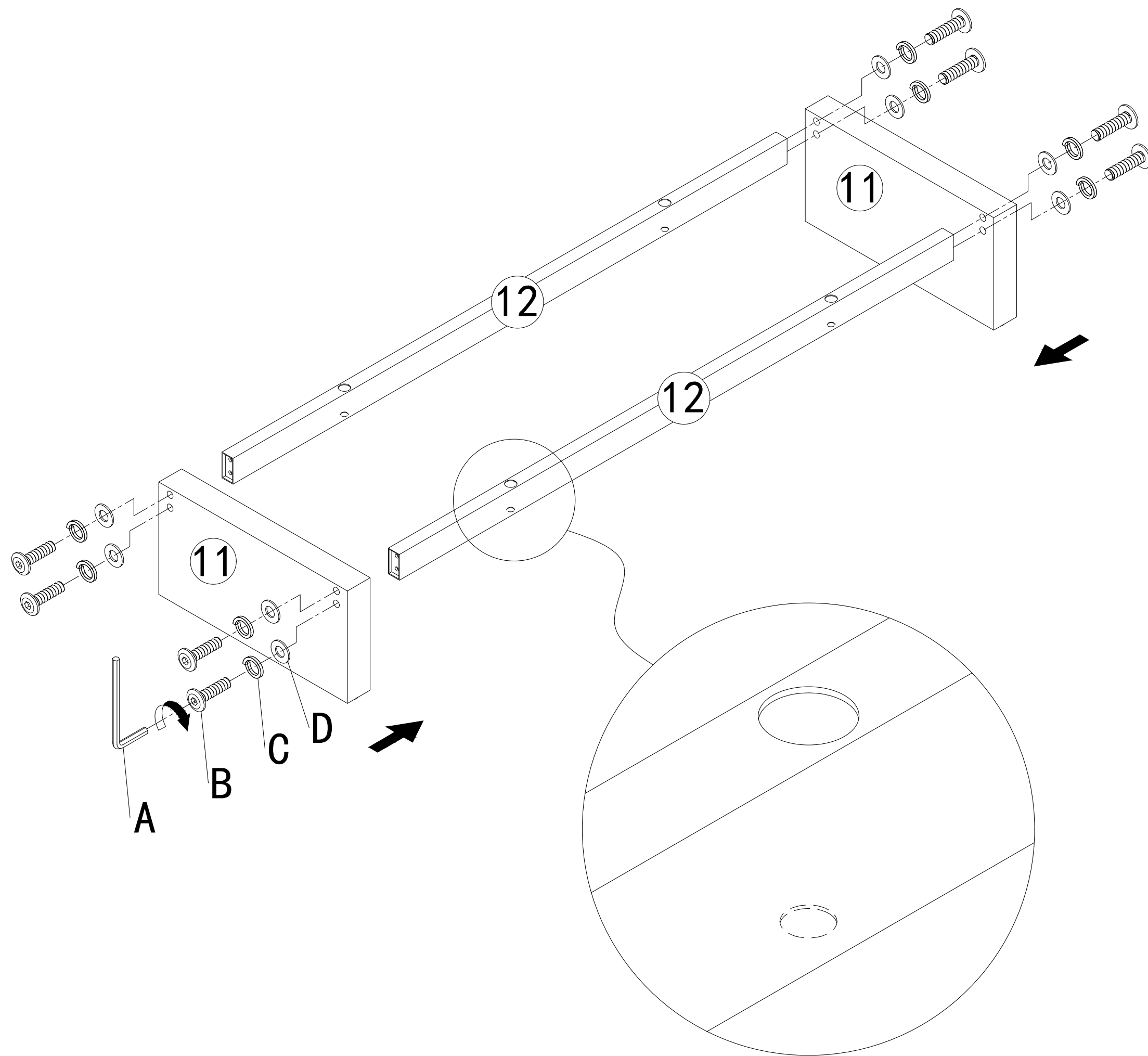


LABEL	PICTURE	QTY
A		1PC
B		8PCS
C		8PCS
D		8PCS

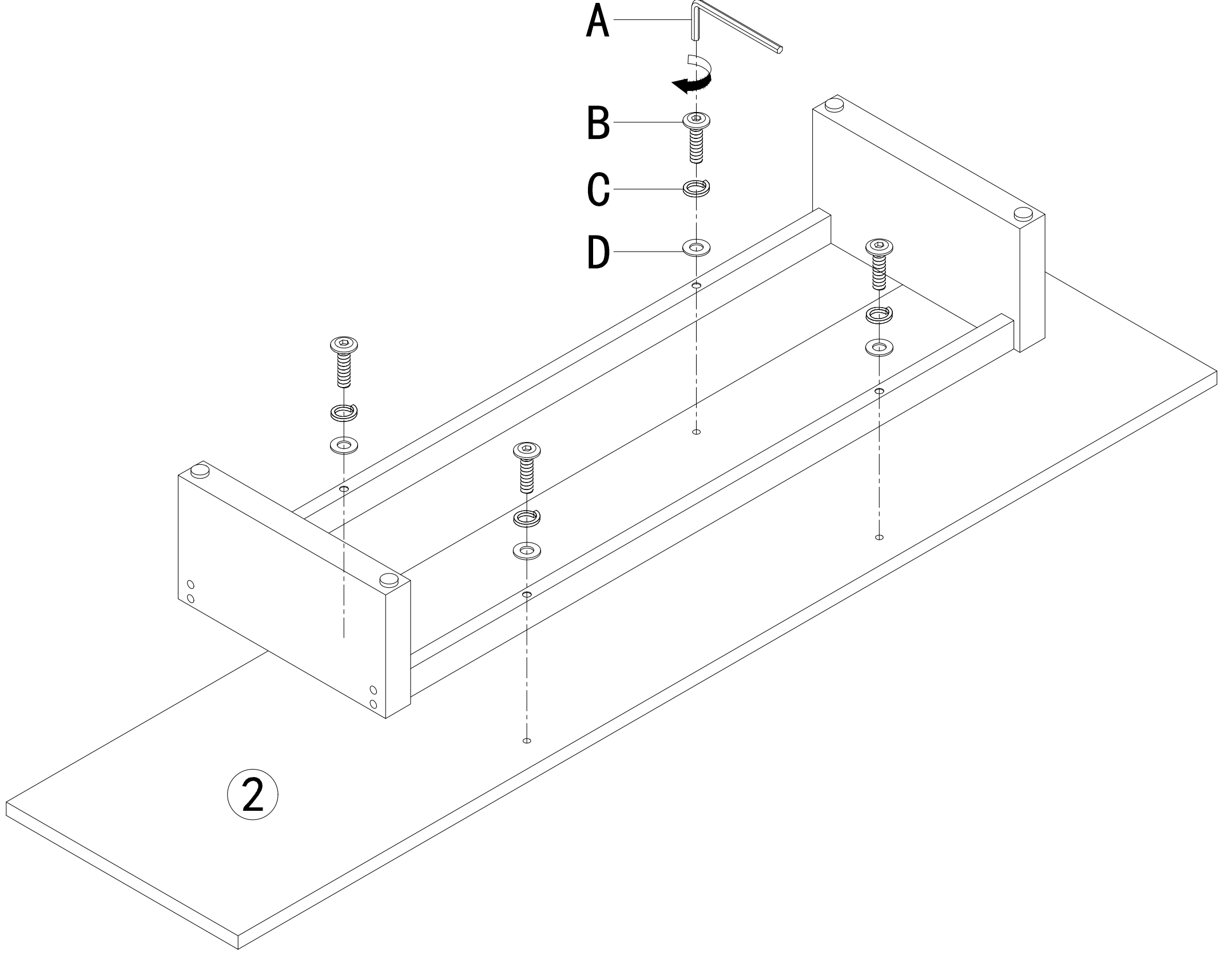
STEP 2



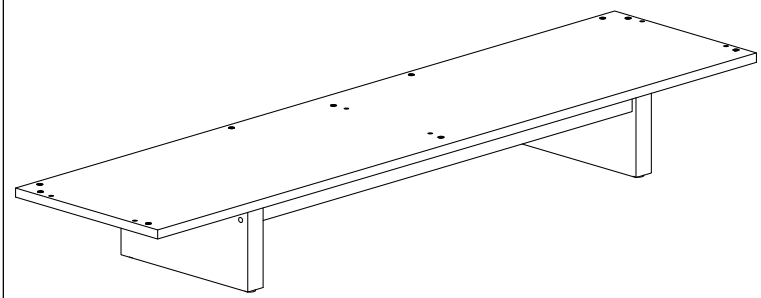
LABEL	PICTURE	QTY
A		1PC
B		4PCS
C		4PCS
D		4PCS



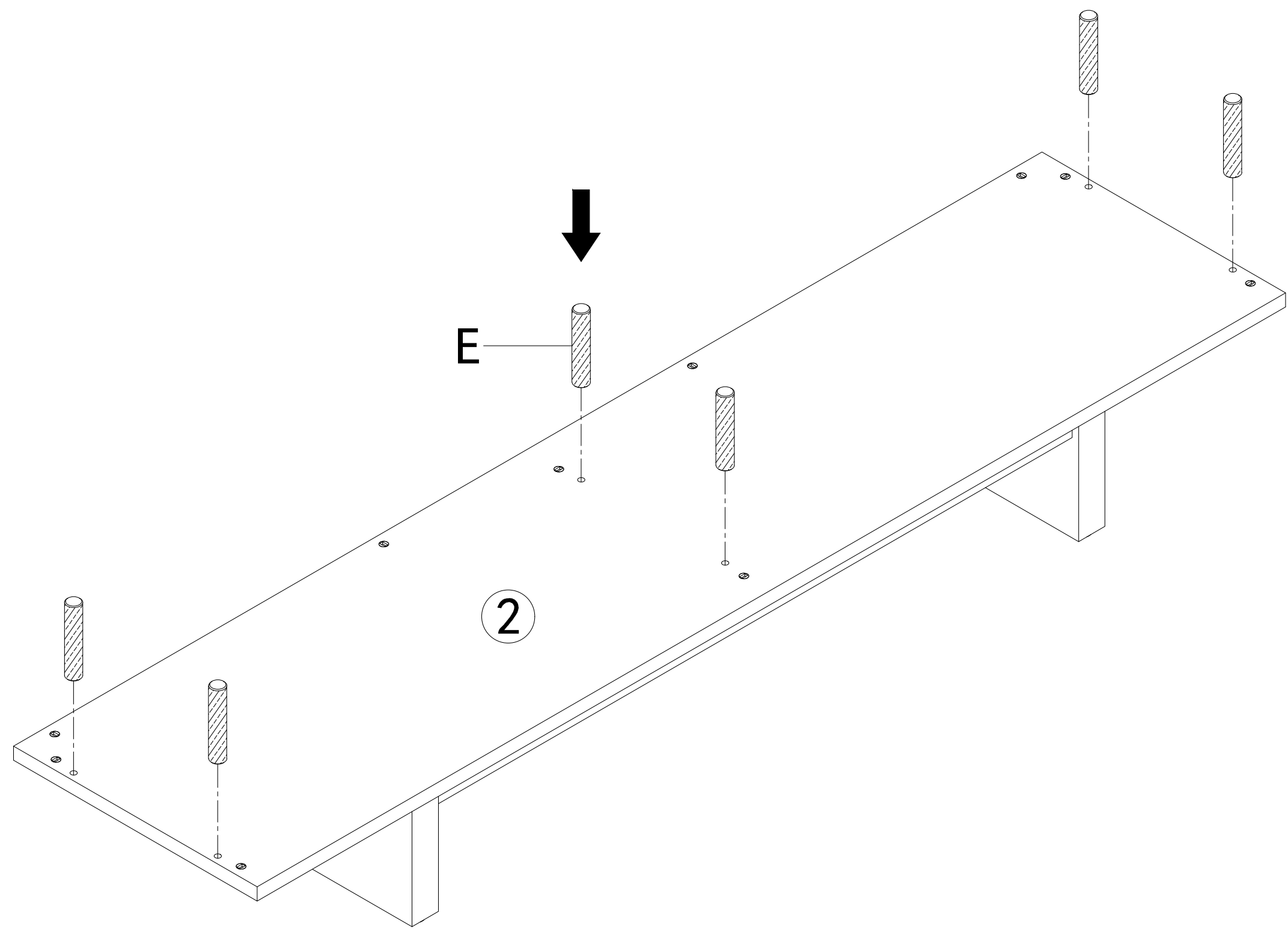
Keep the large hole upward.



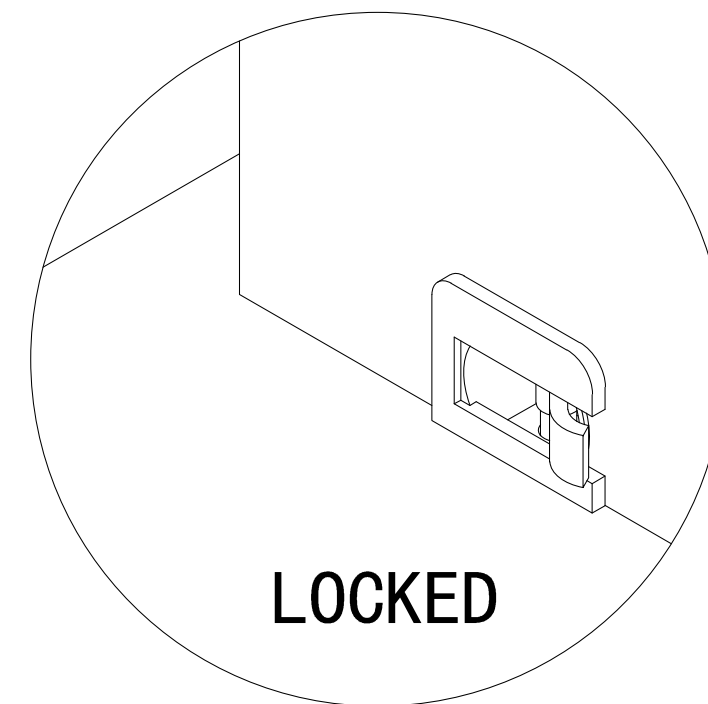
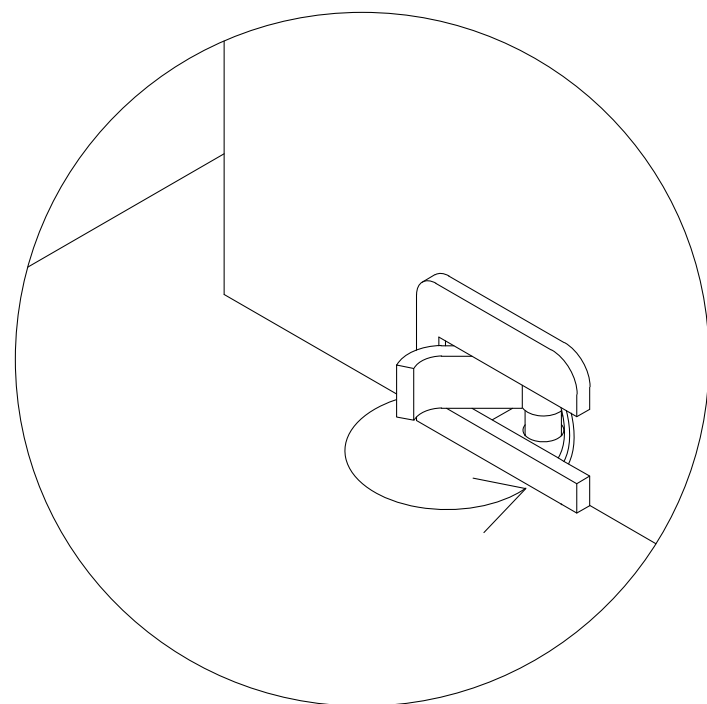
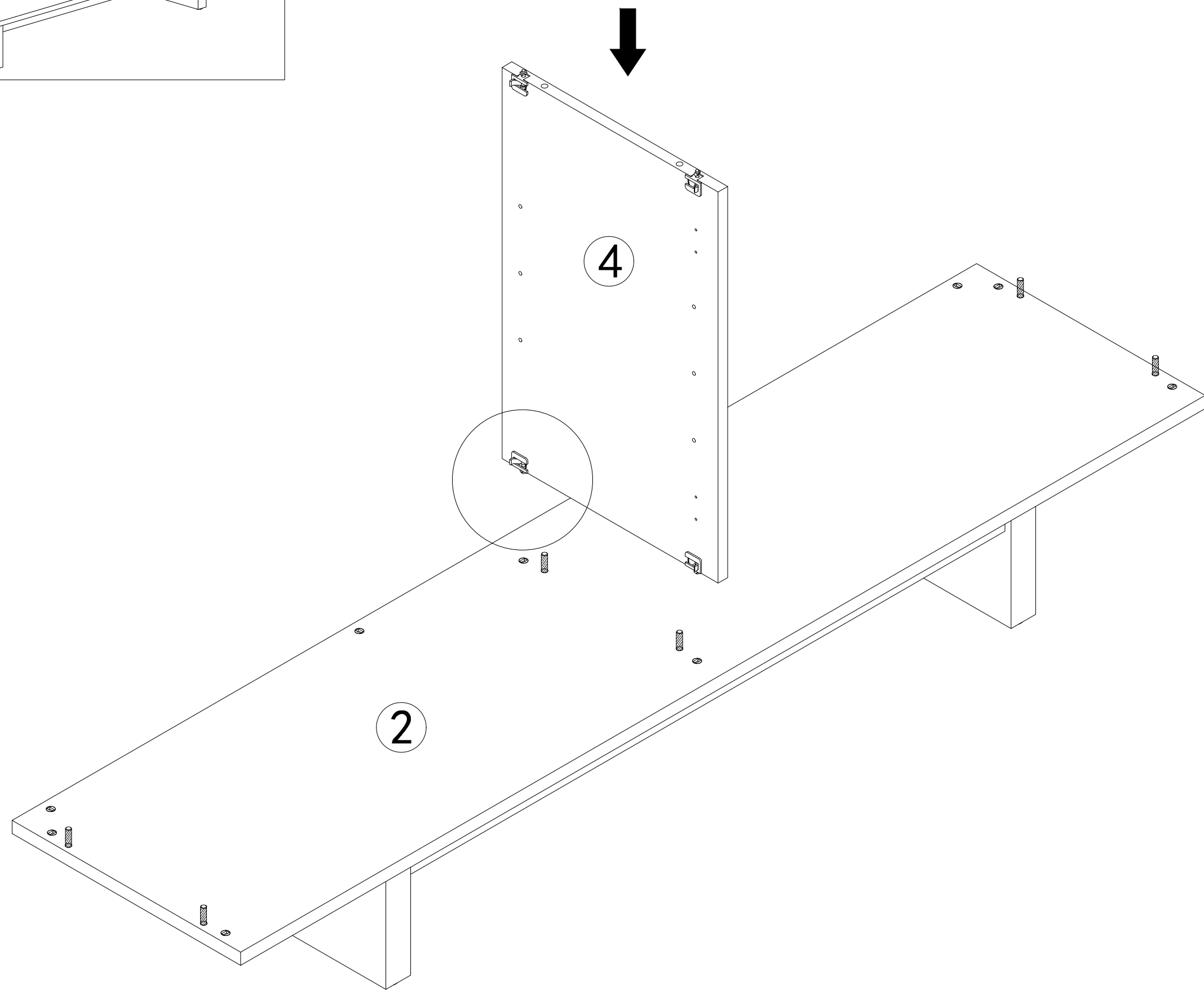
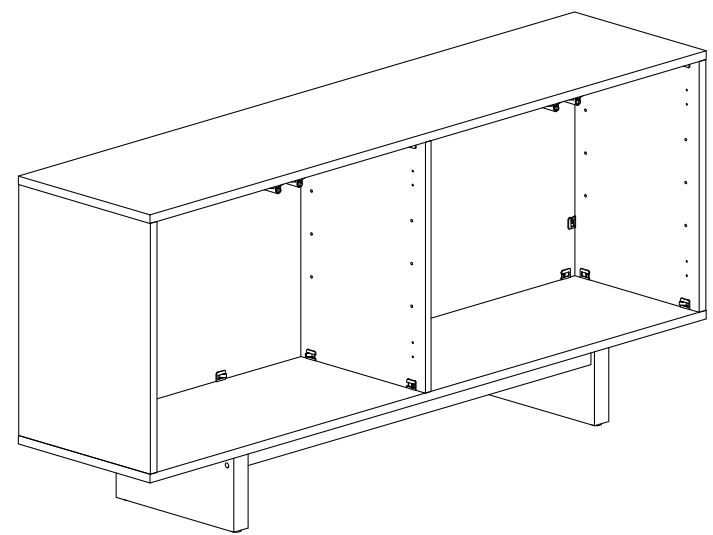
STEP 3



LABEL	PICTURE	QTY
E		6PCS

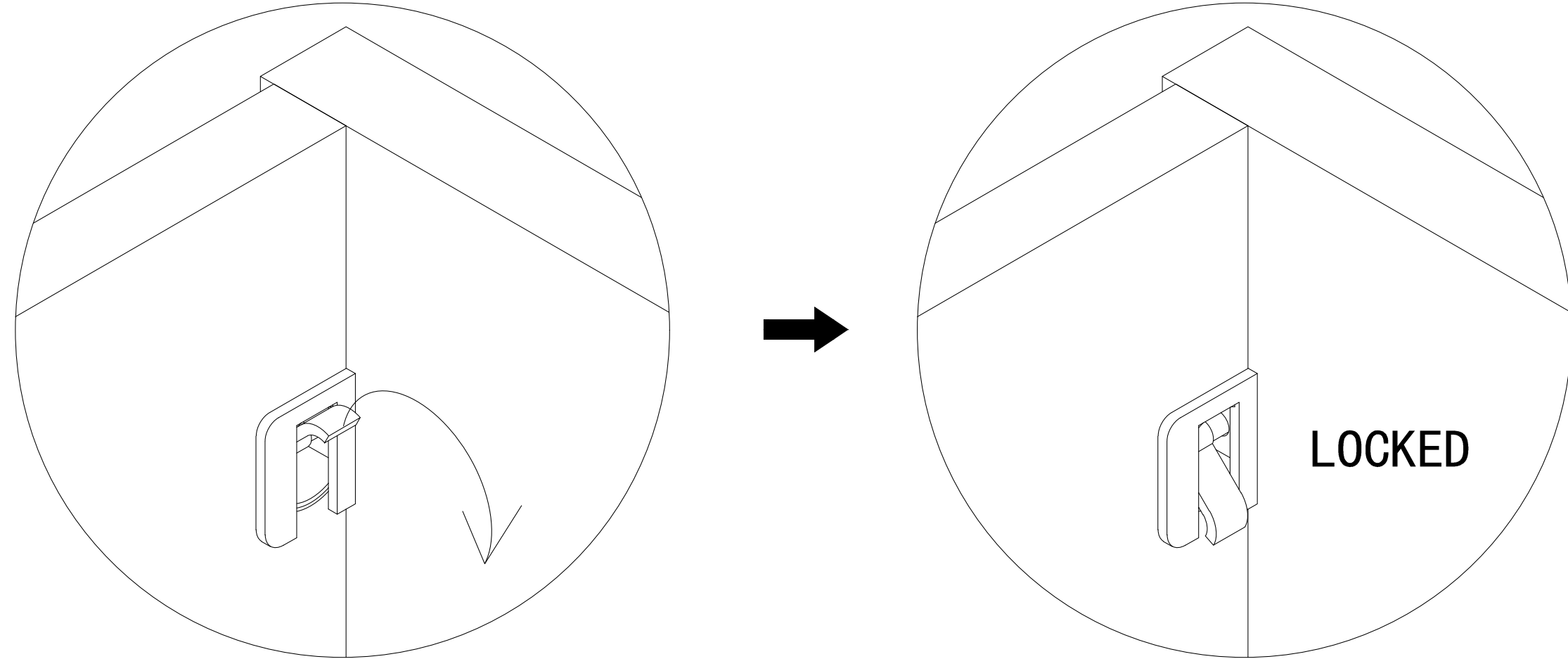
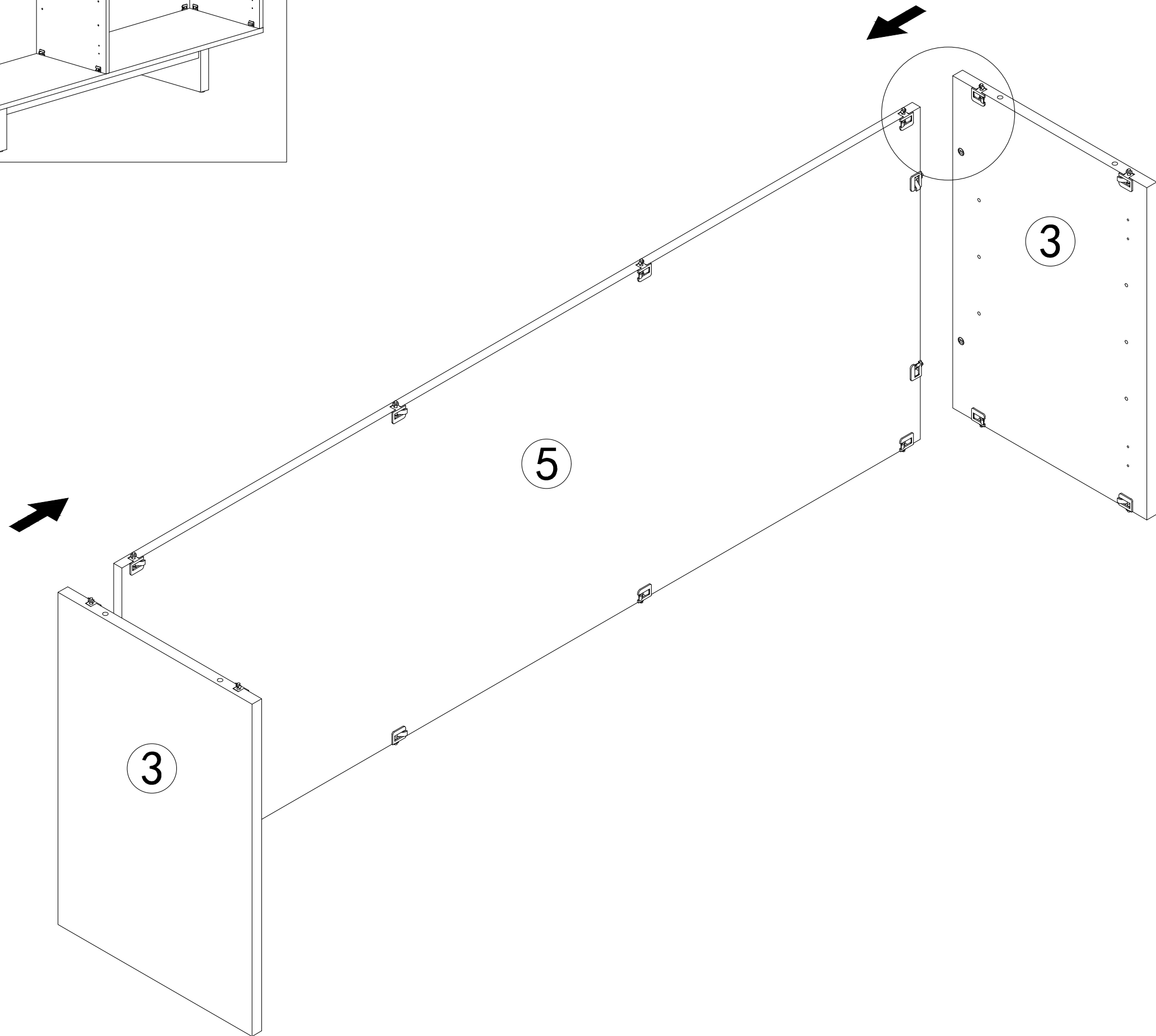
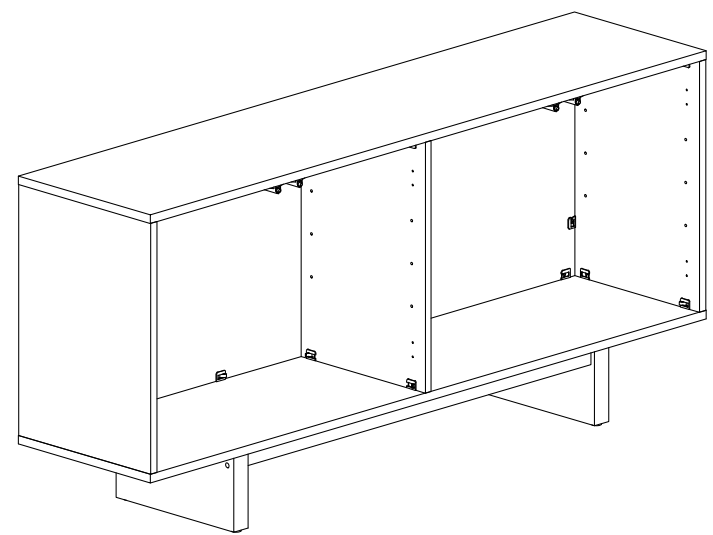


STEP 4

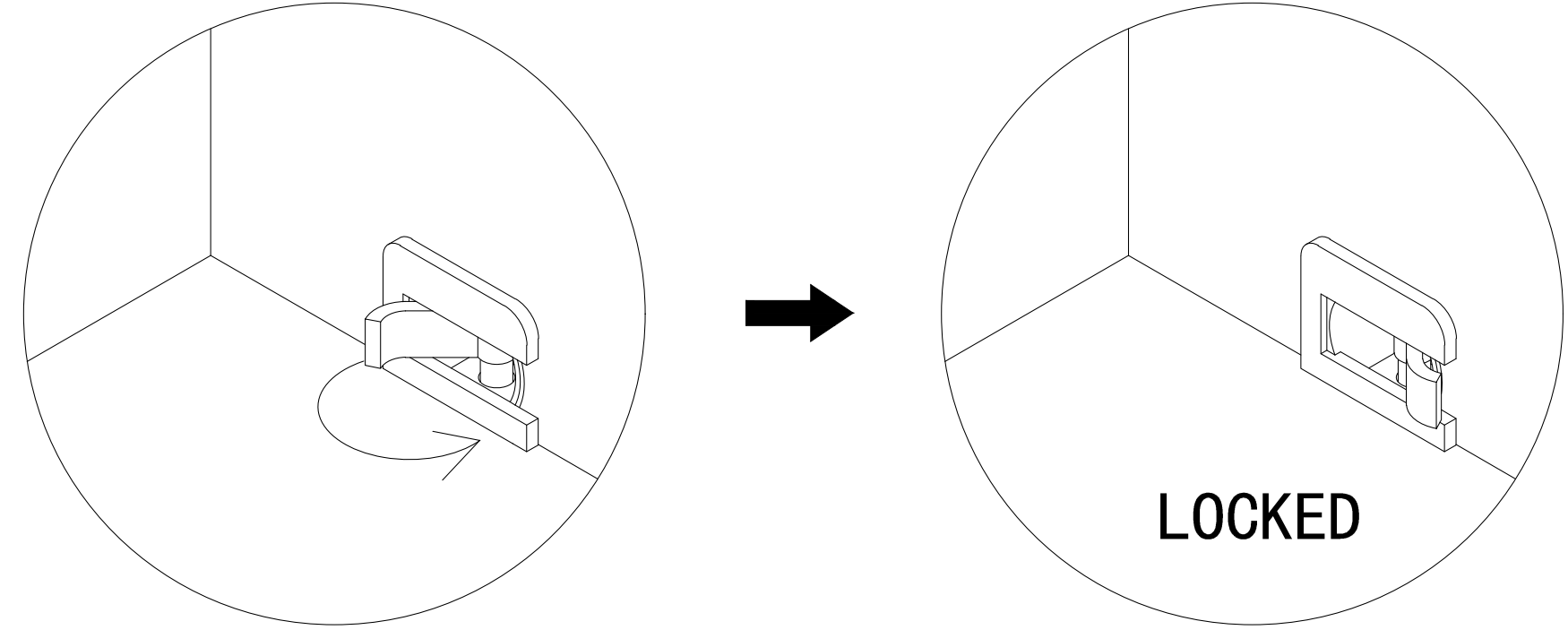
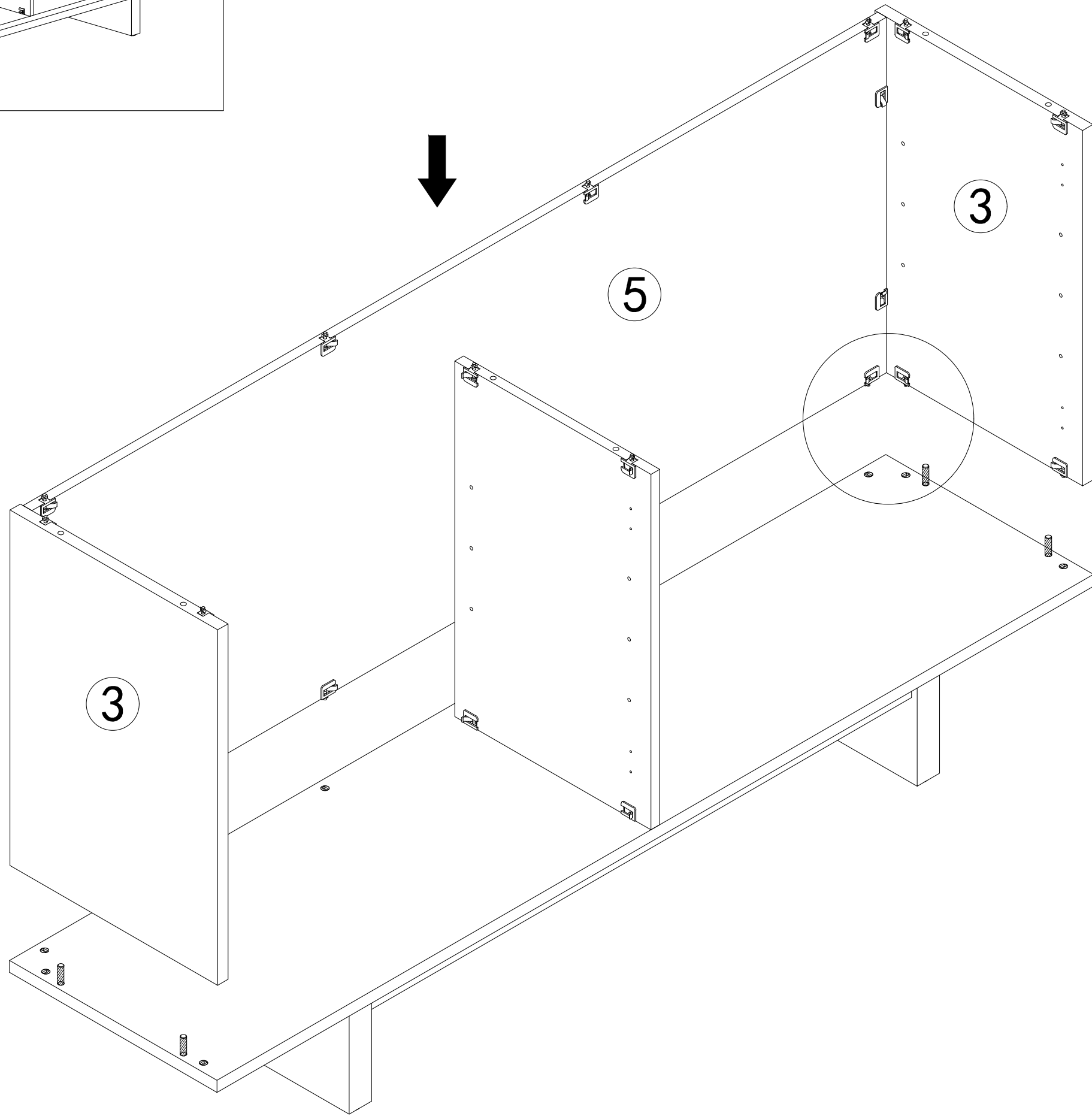
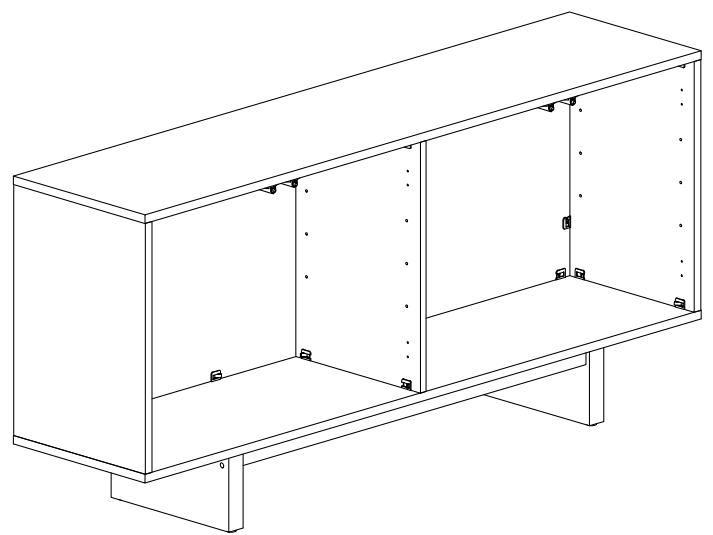


LOCKED

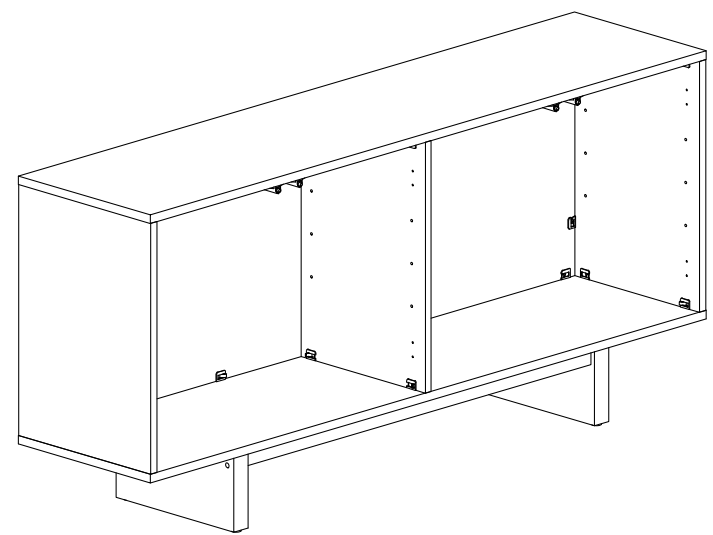
STEP 5



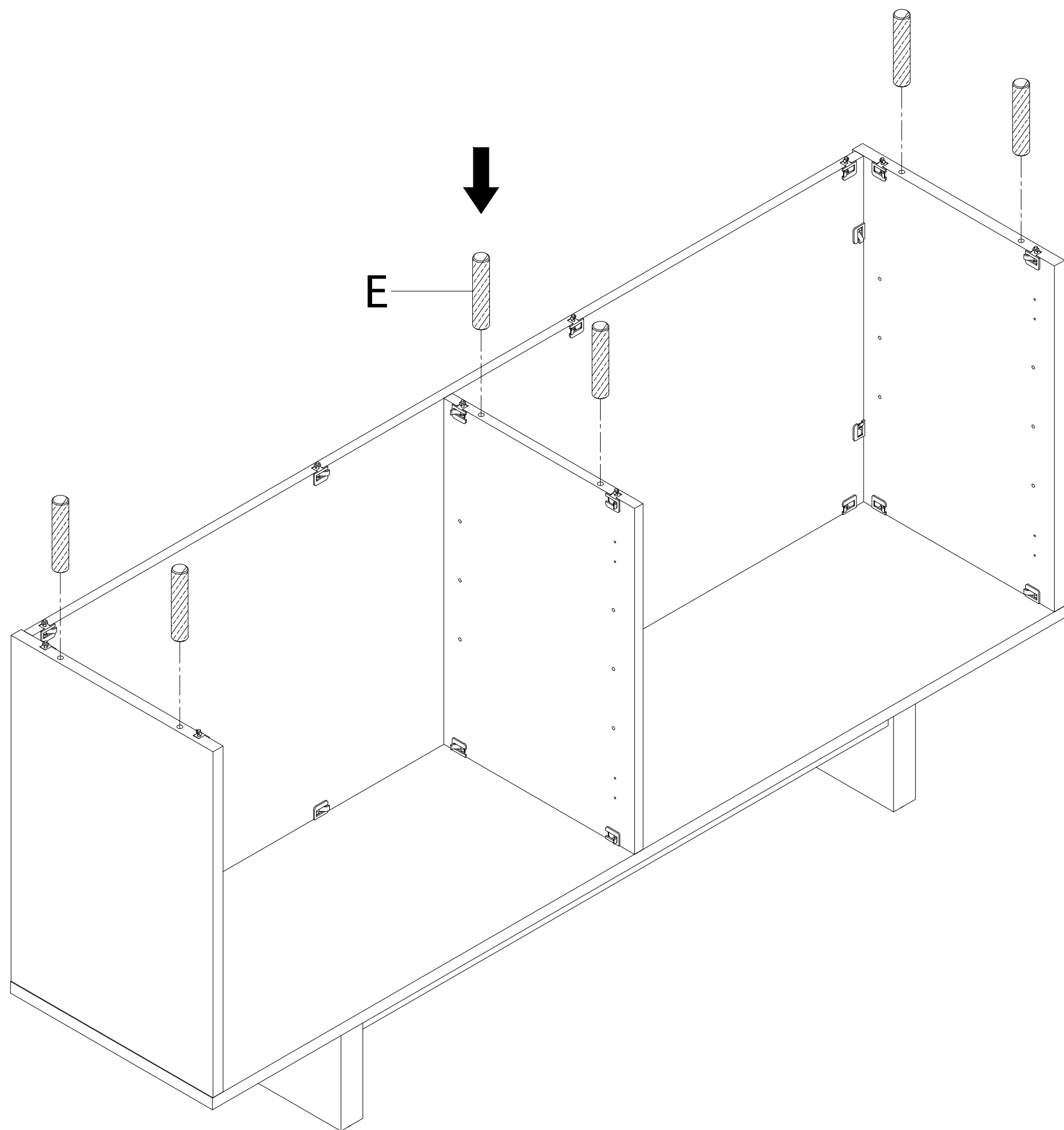
STEP 6



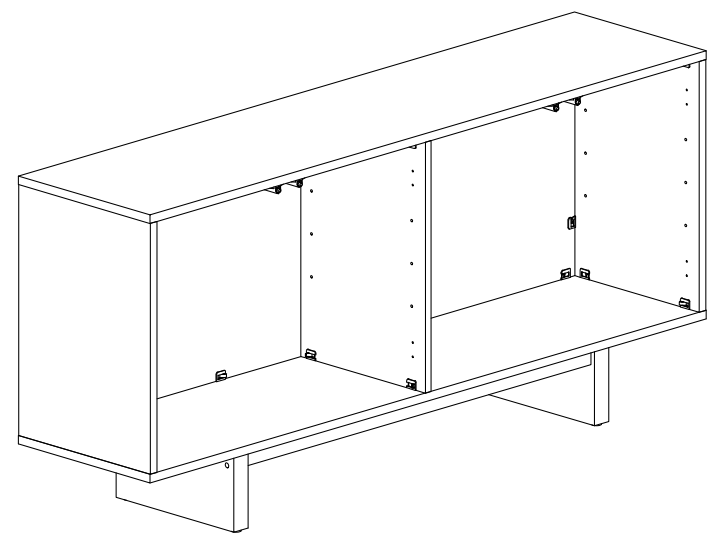
STEP 7



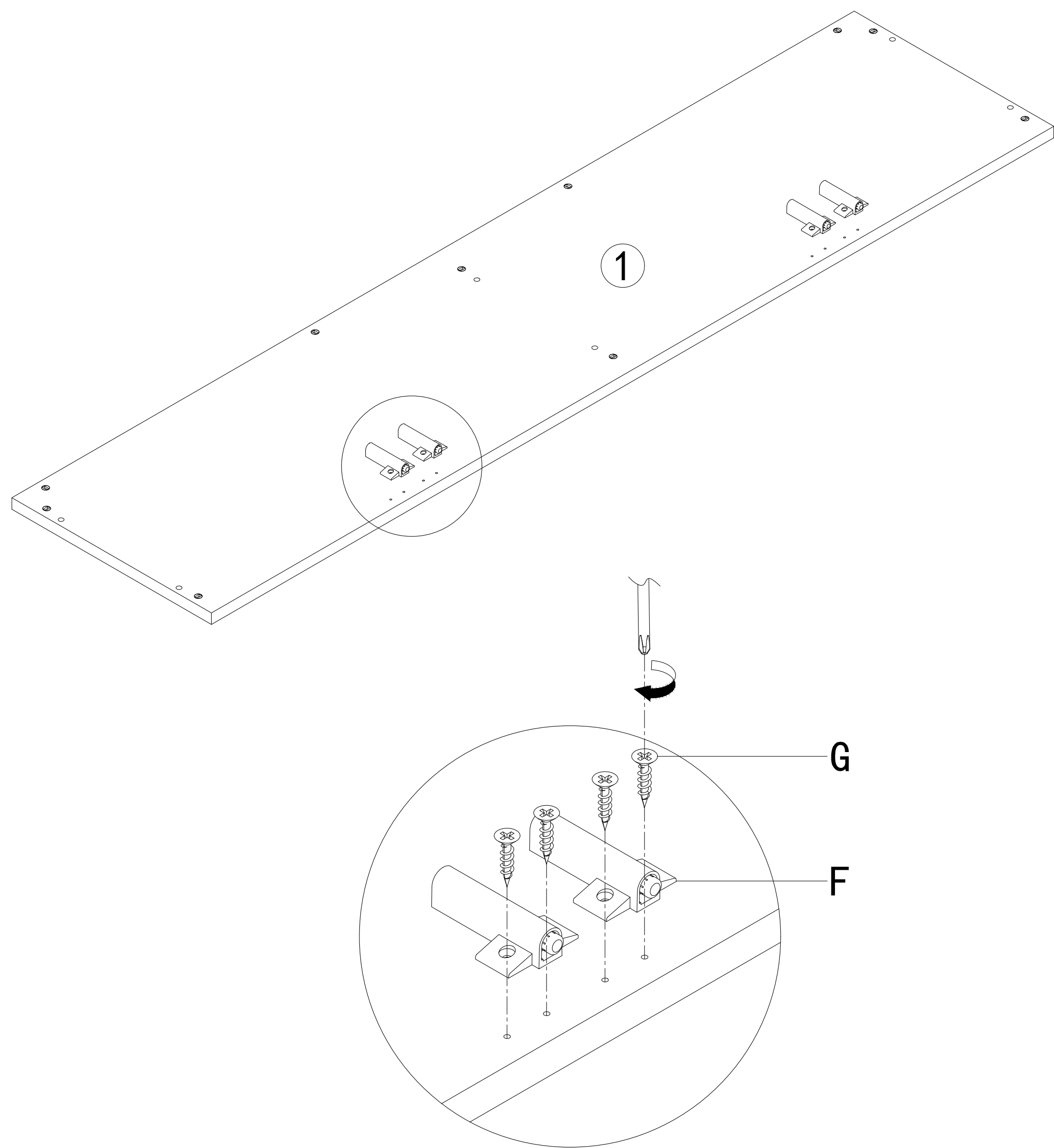
LABEL	PICTURE	QTY
E		6PCS



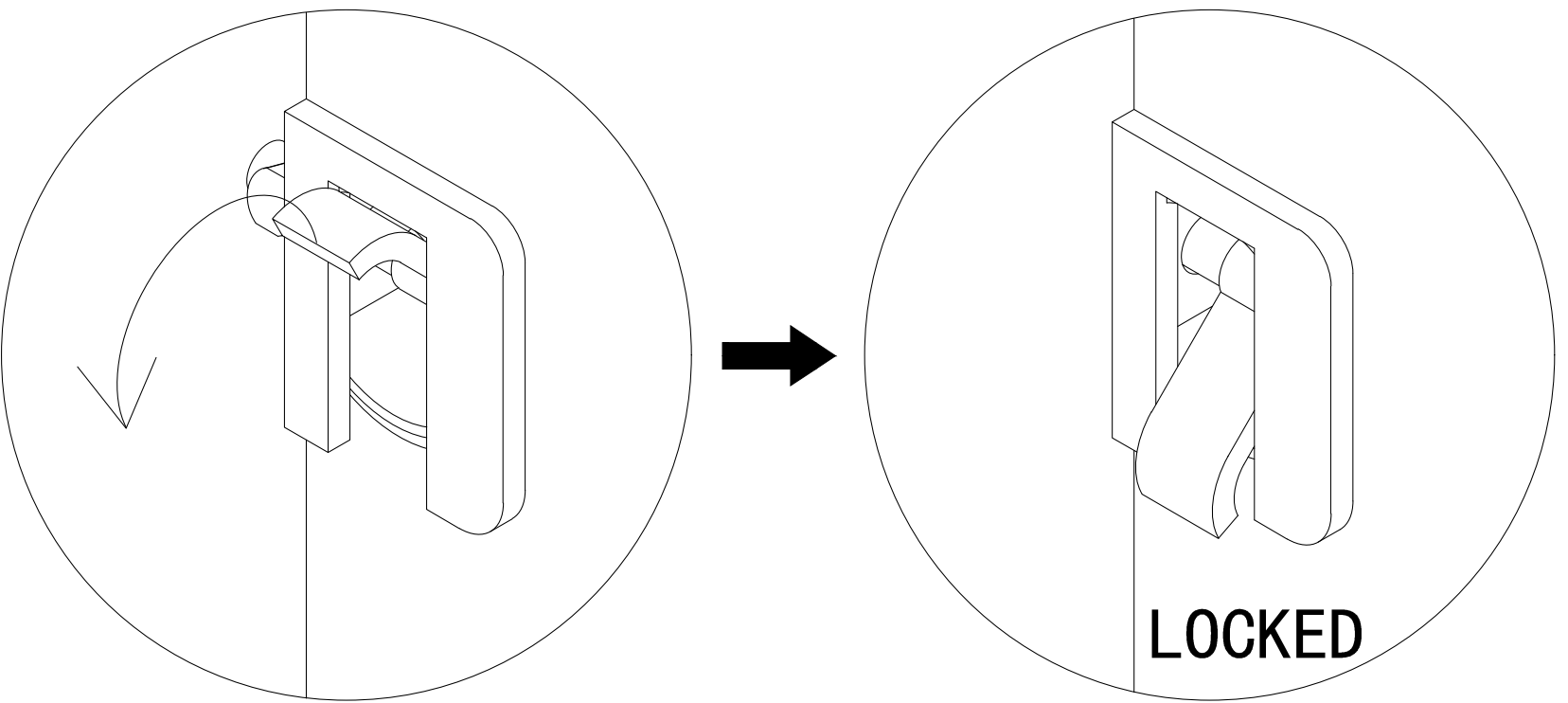
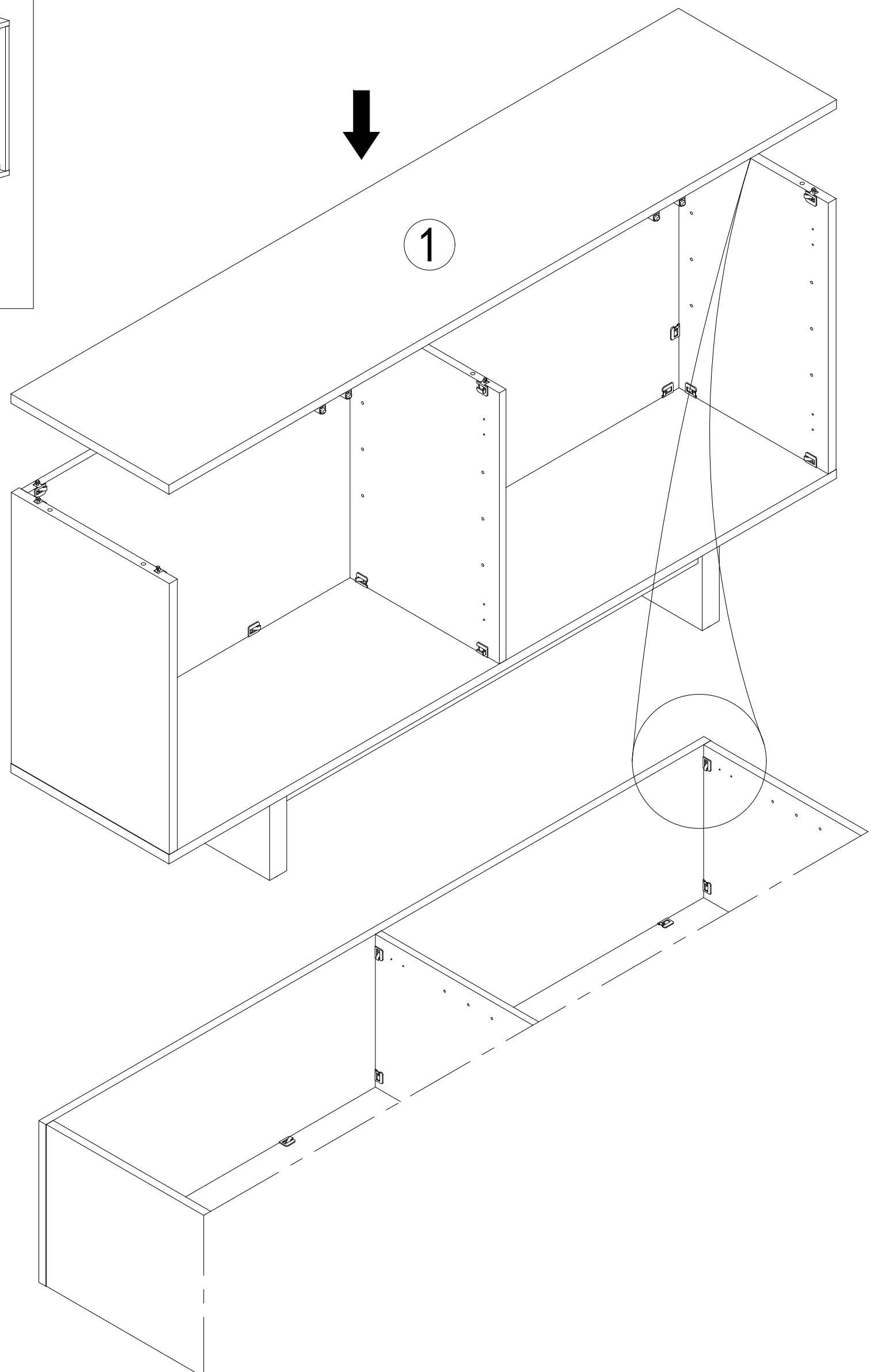
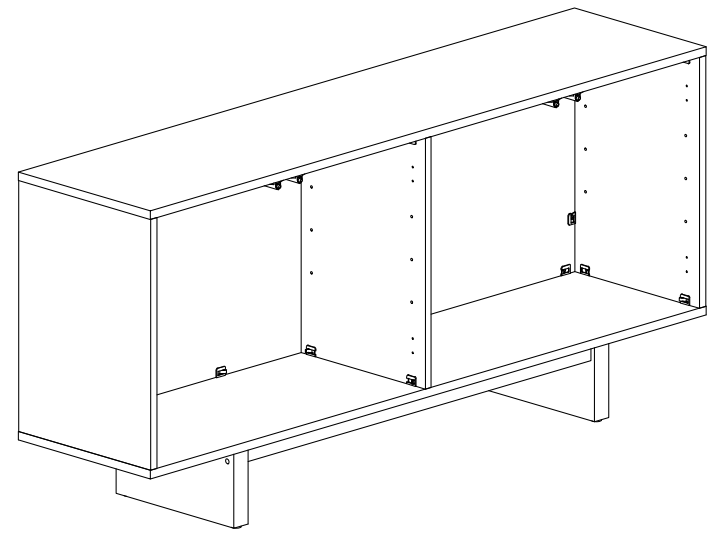
STEP 8



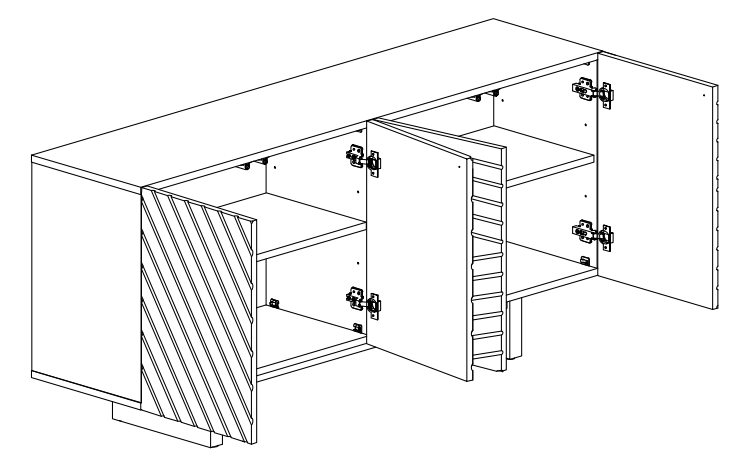
LABEL	PICTURE	QTY
F		4PCS
G		8PCS



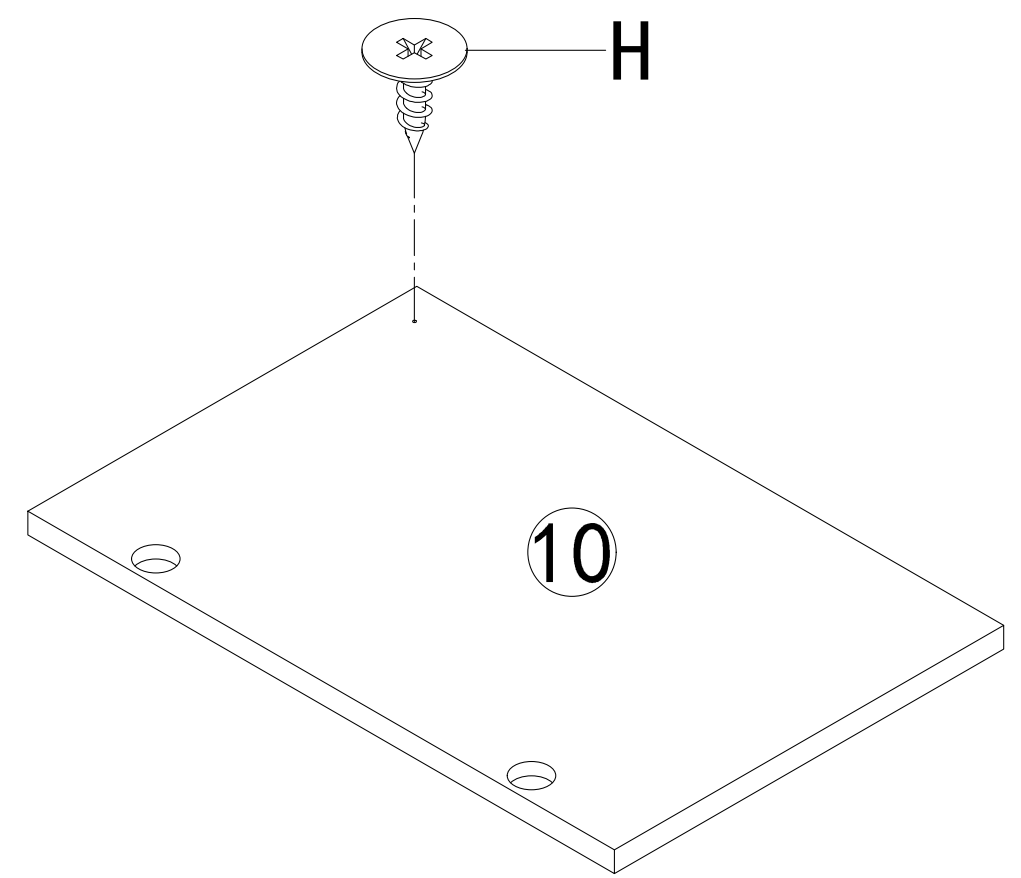
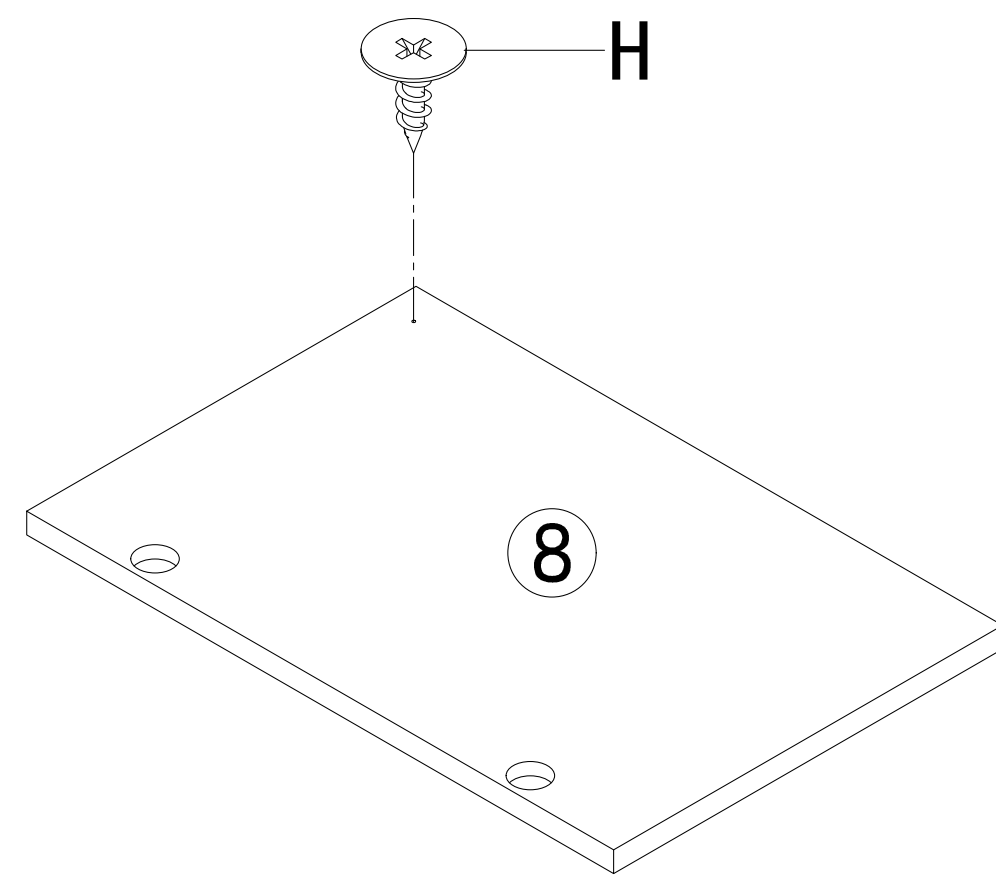
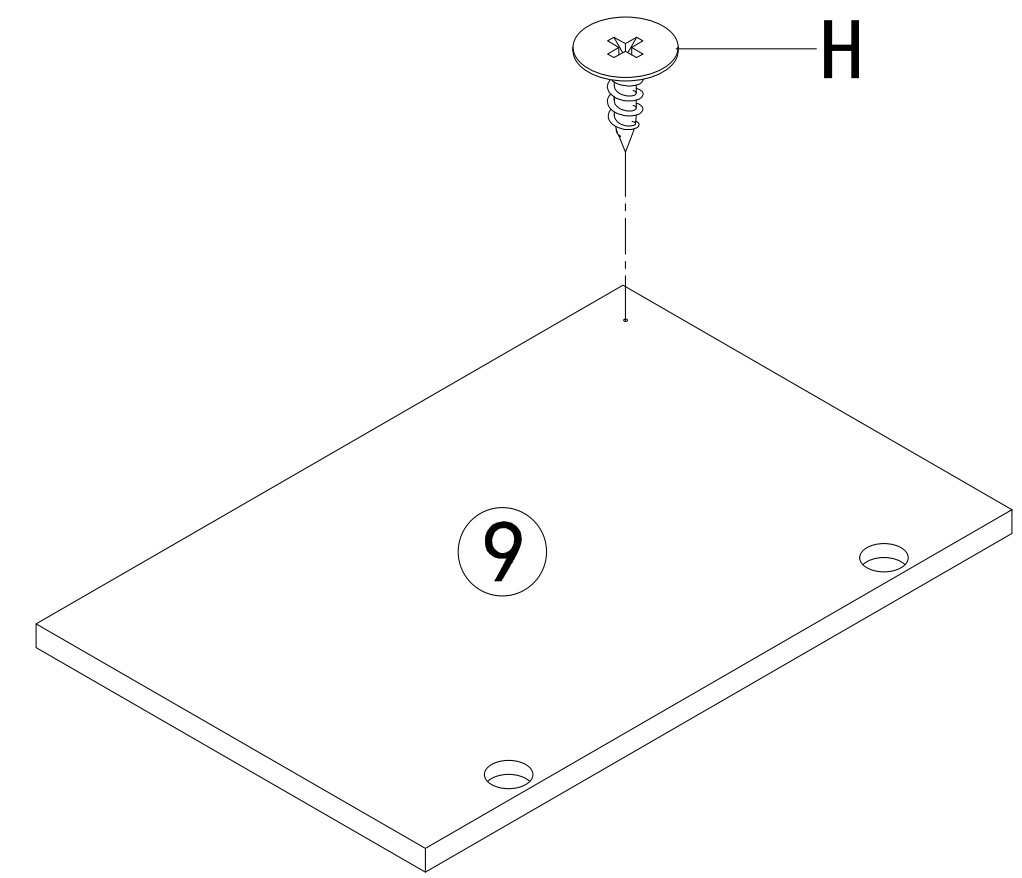
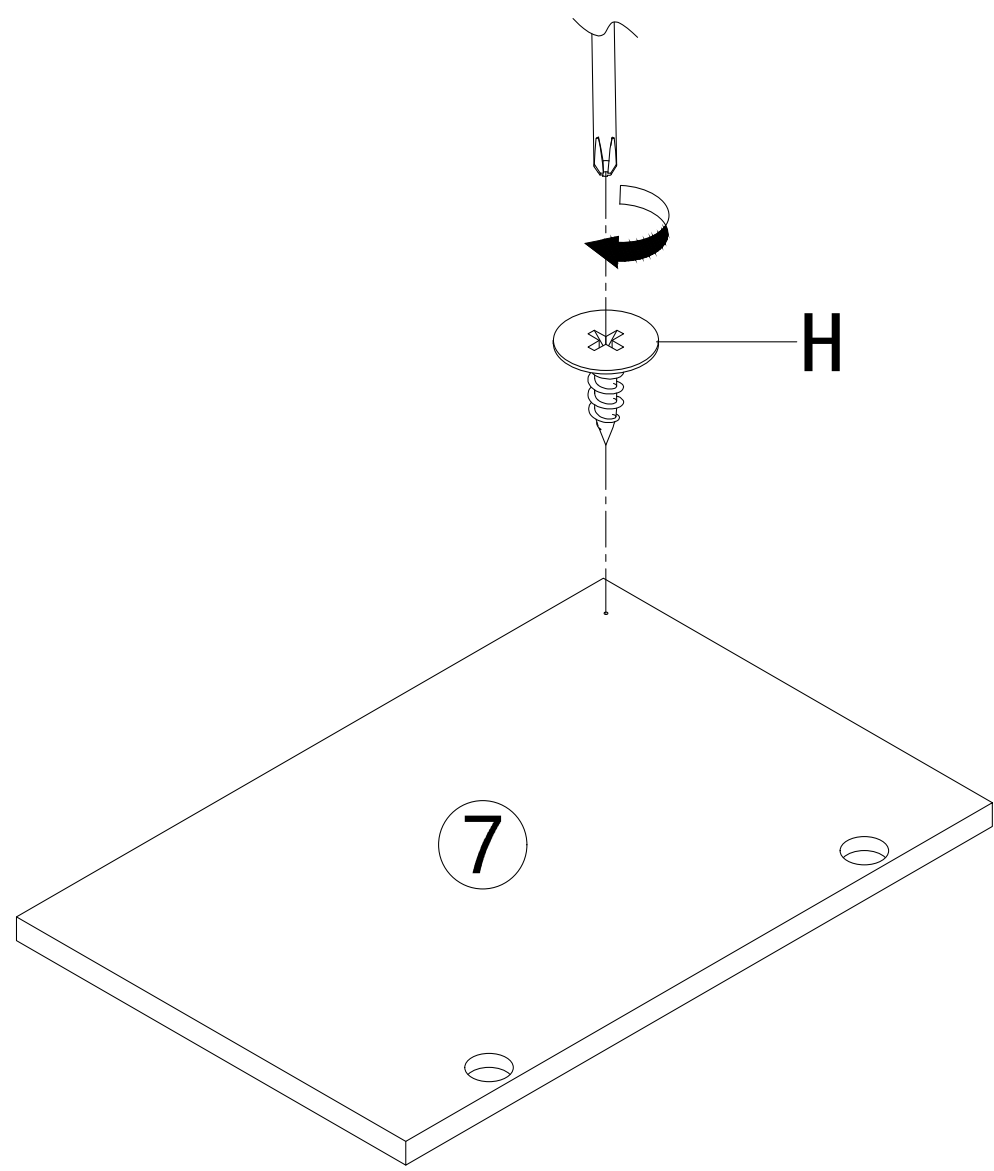
STEP 9



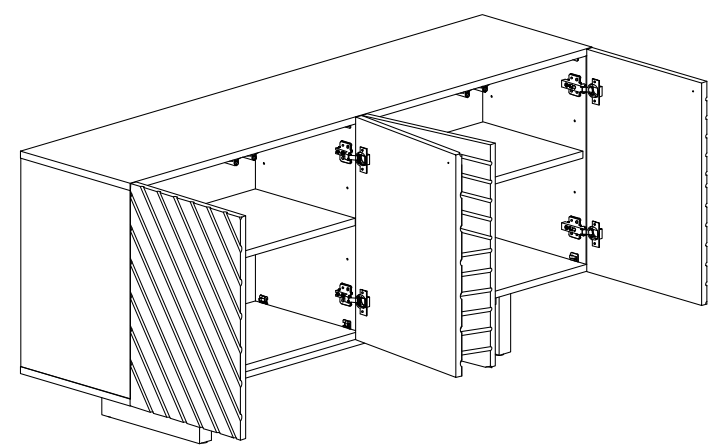
STEP 10



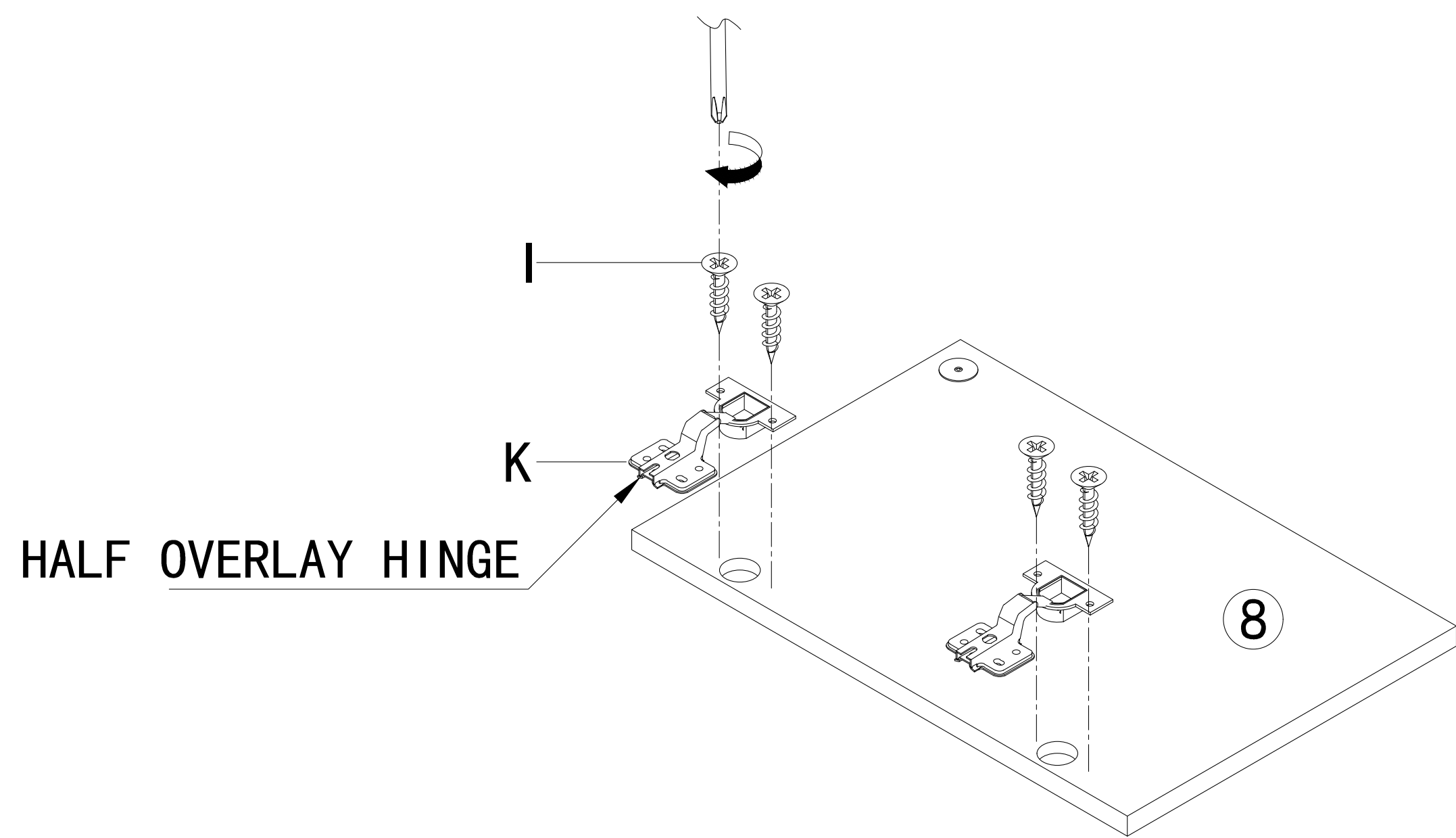
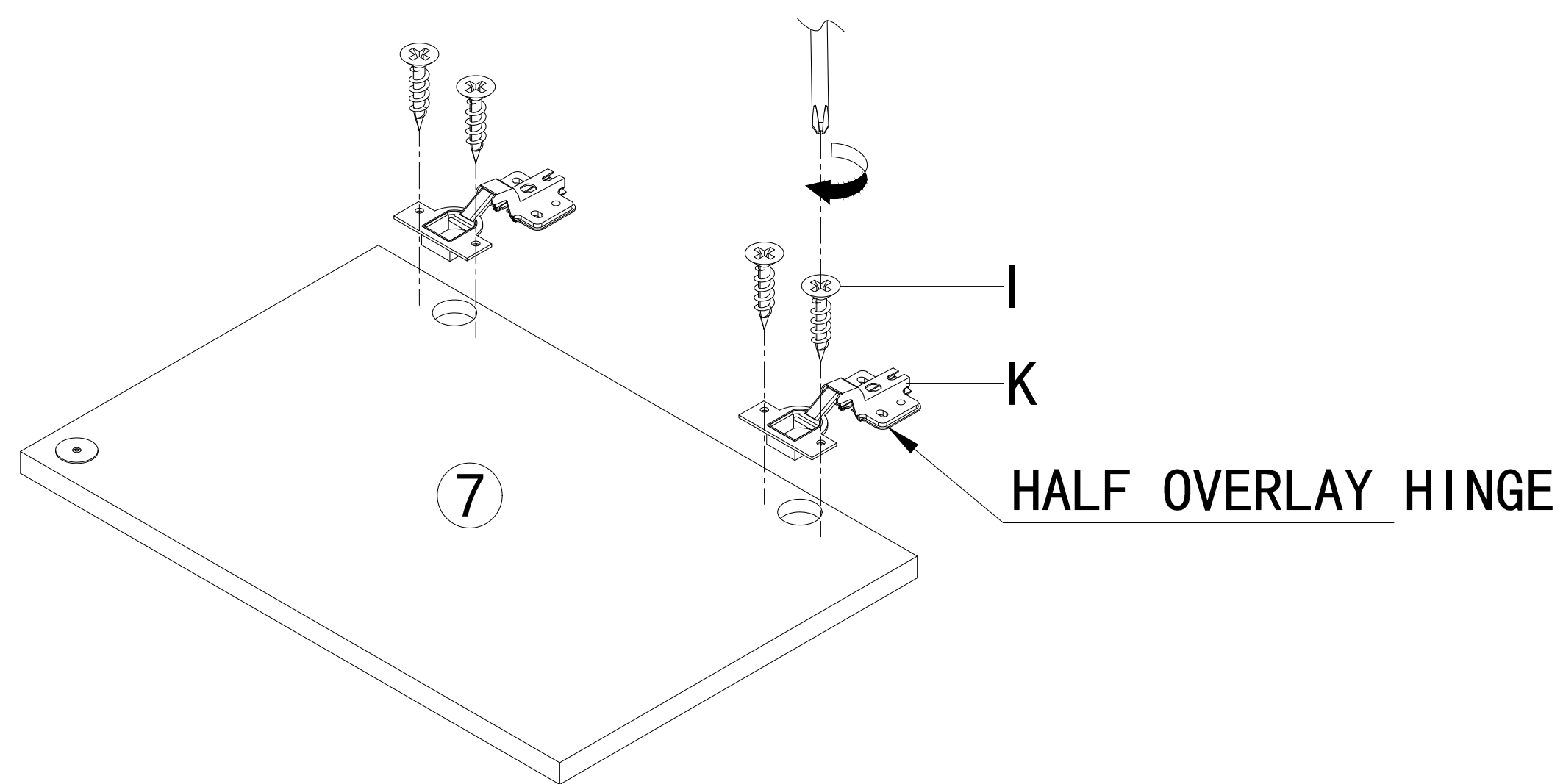
LABEL	PICTURE	QTY
H		4PCS



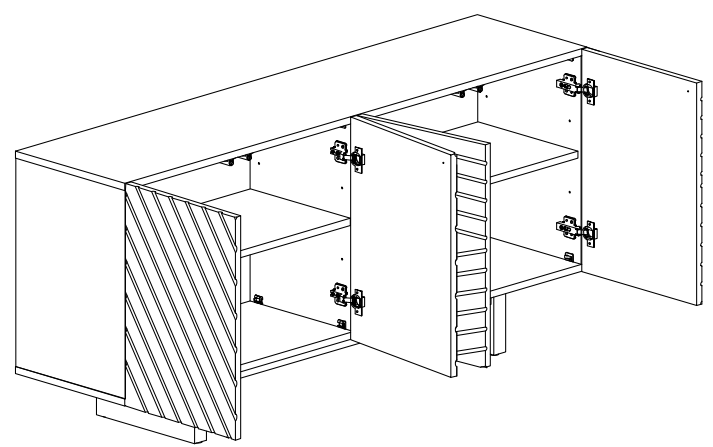
STEP 11



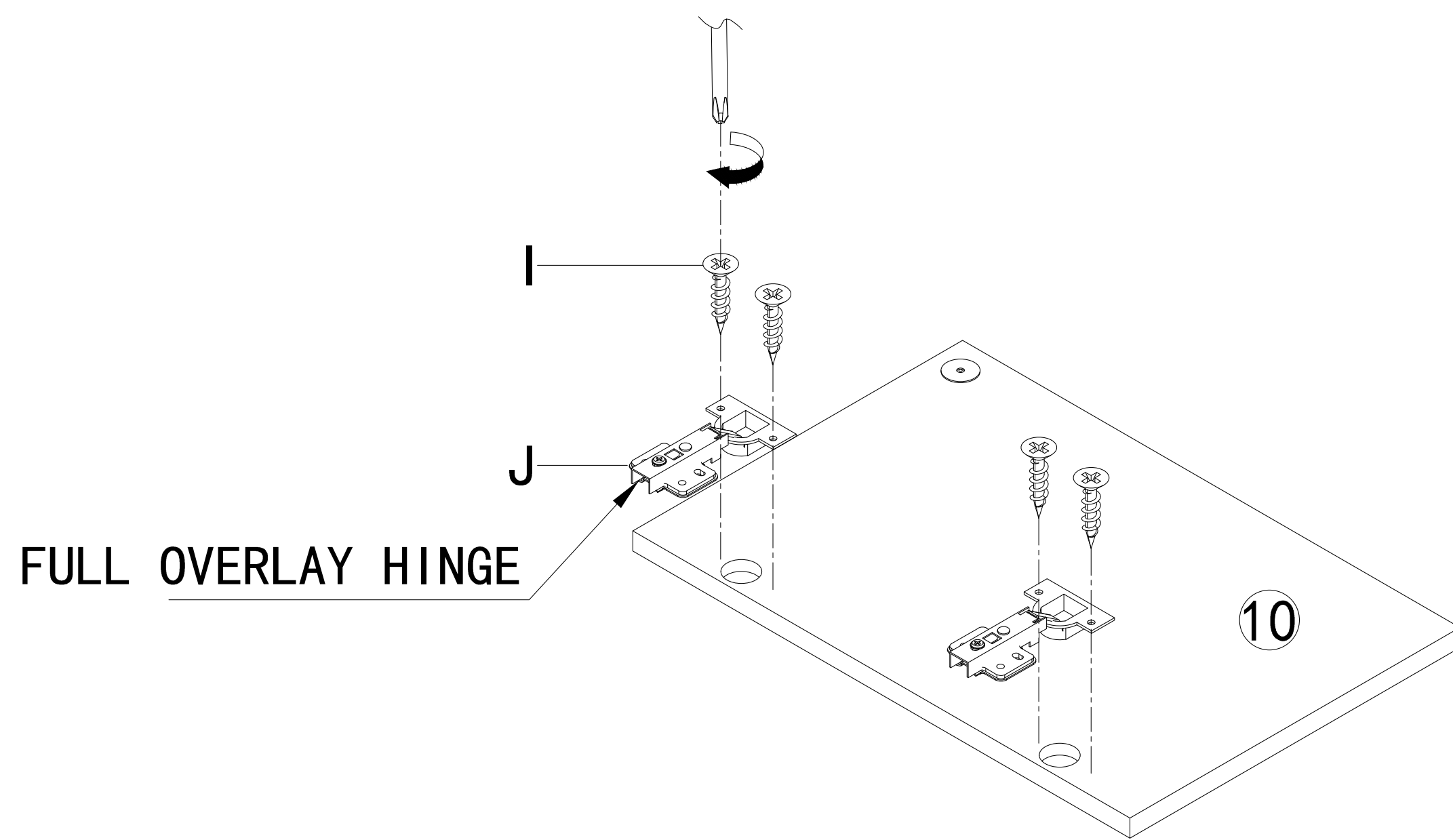
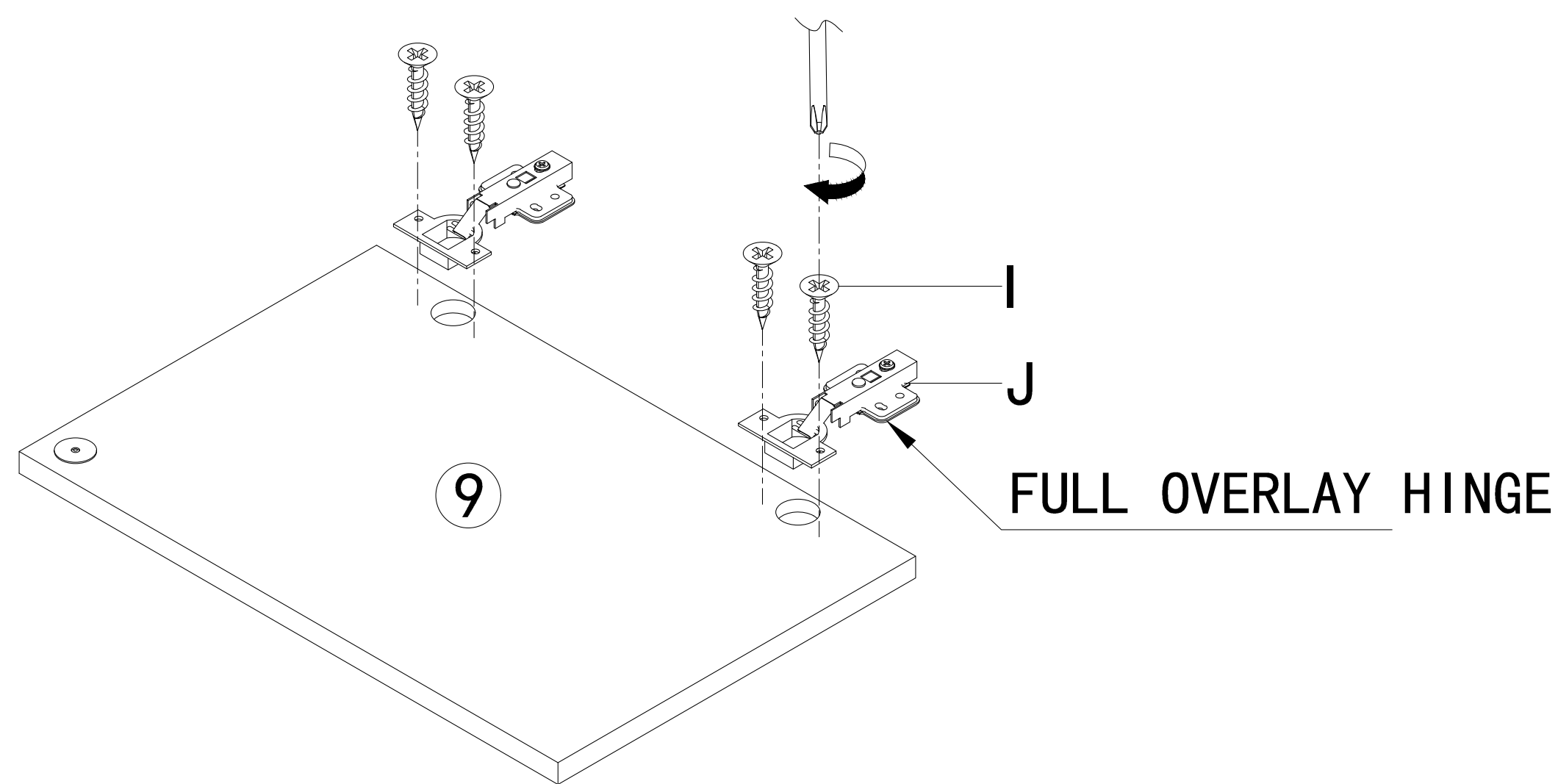
LABEL	PICTURE	QTY
I		8PCS
J		2PCS
K		2PCS



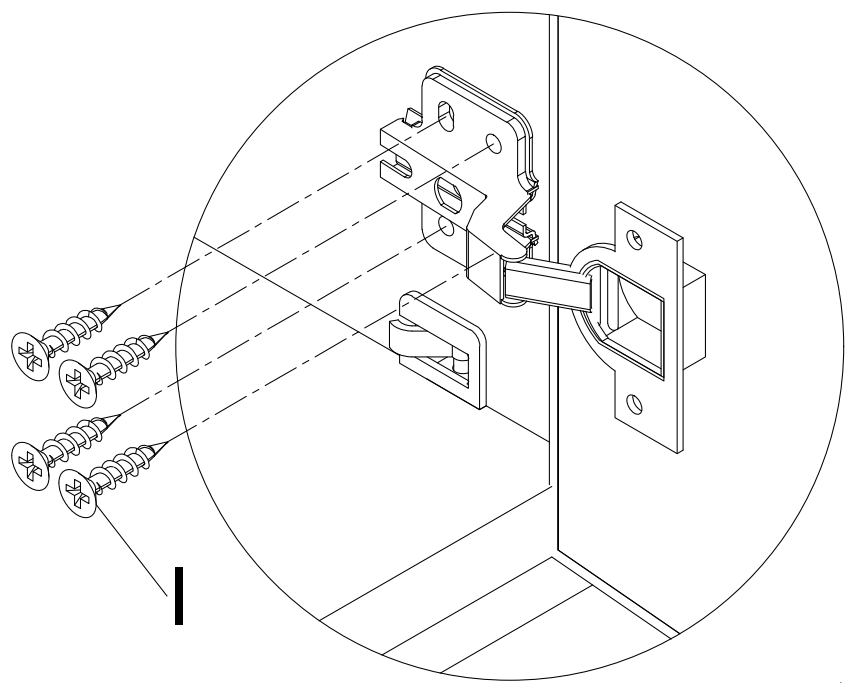
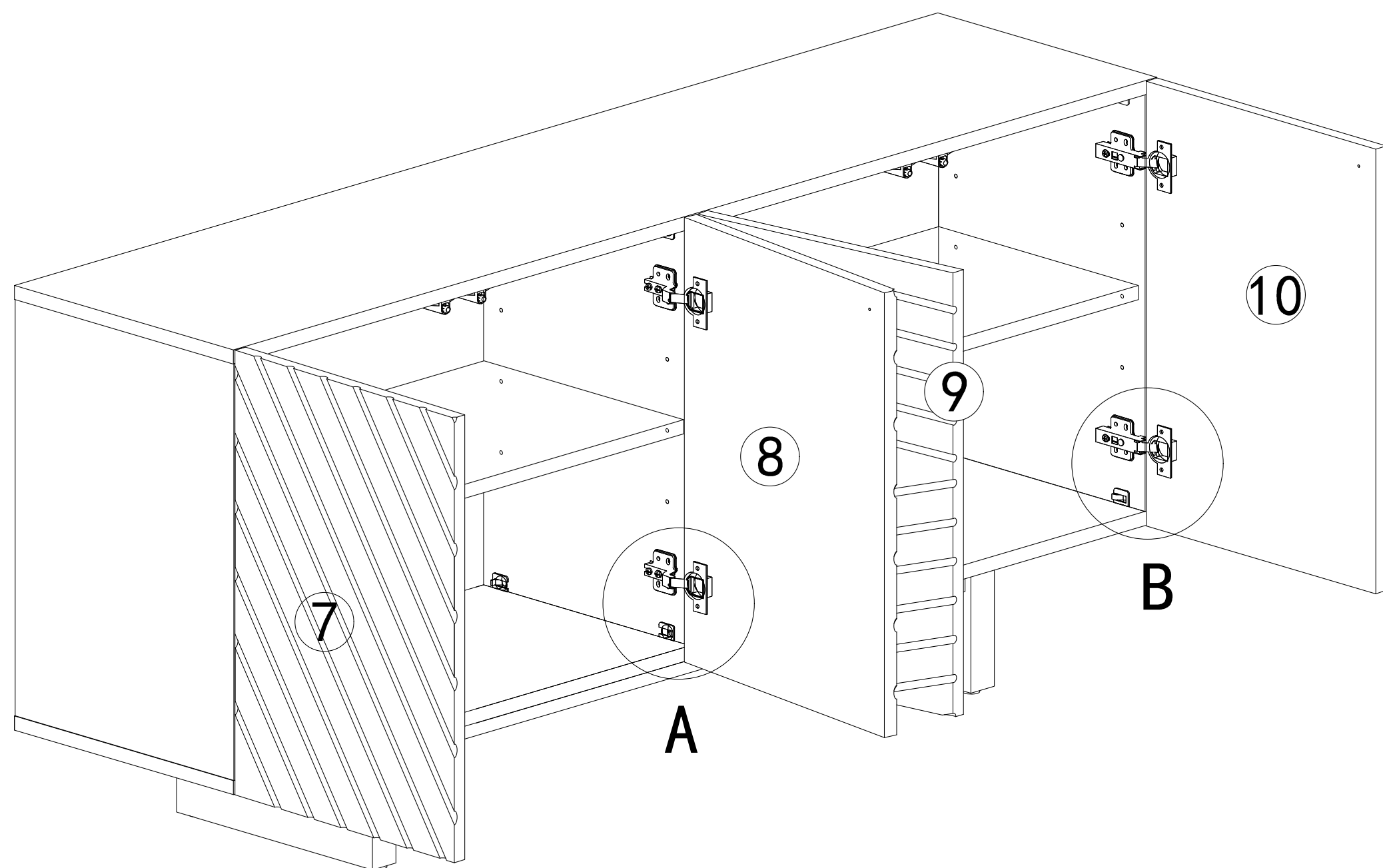
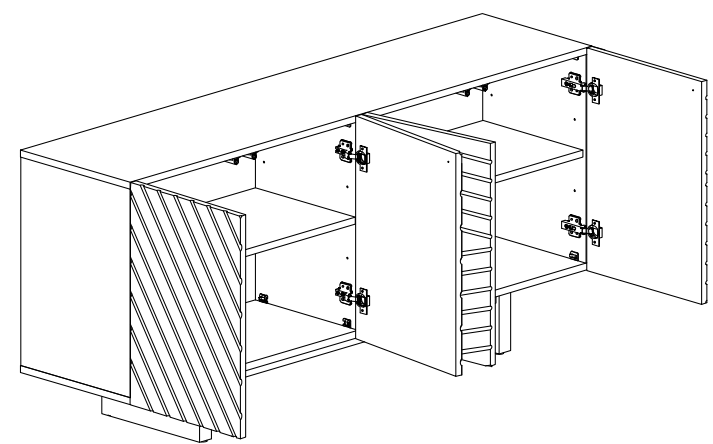
STEP 12



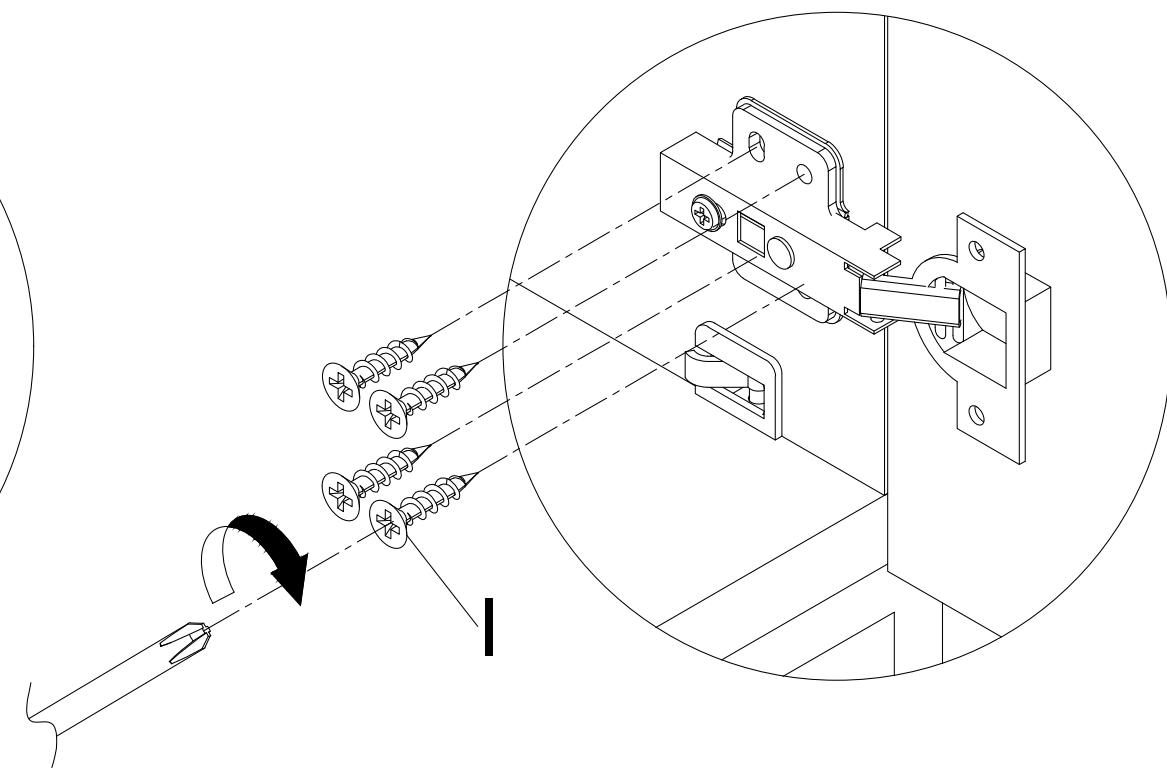
LABEL	PICTURE	QTY
I		8PCS
J		2PCS
K		2PCS



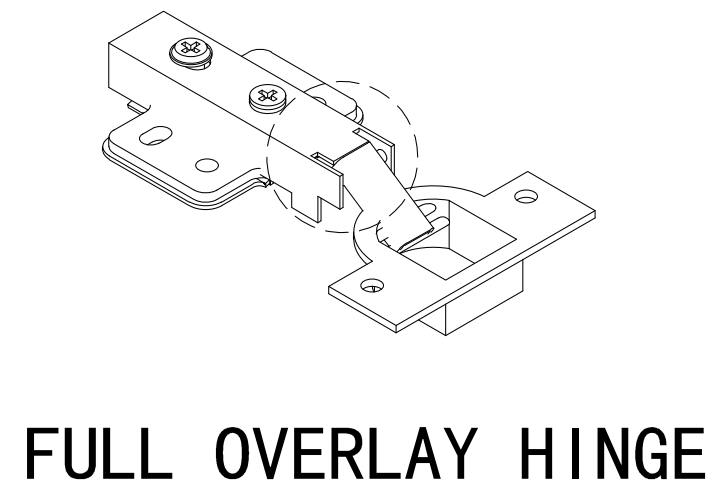
STEP 13



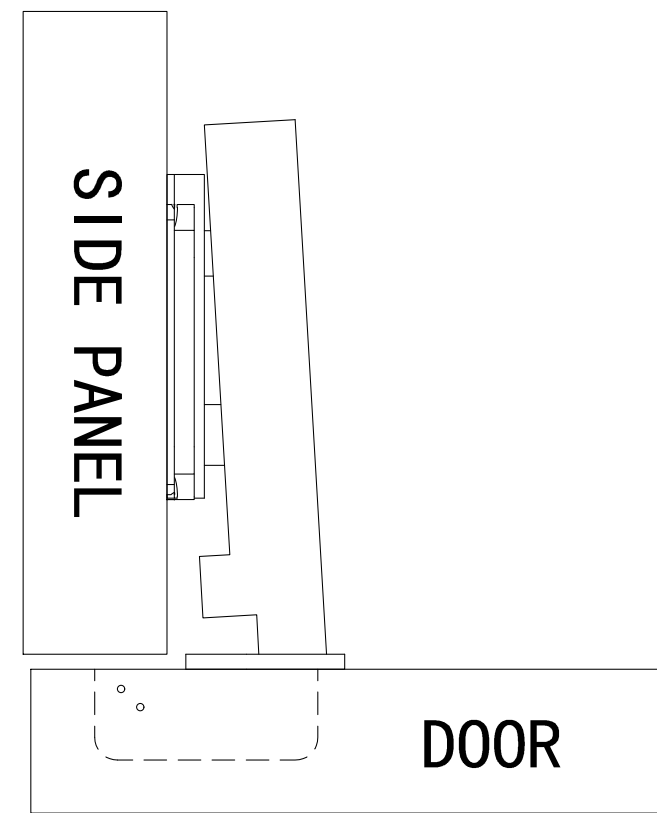
DETAIL A



DETAIL B



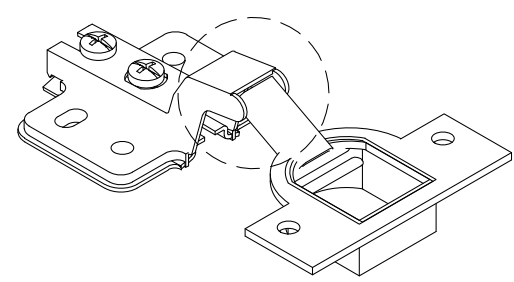
FULL OVERLAY HINGE



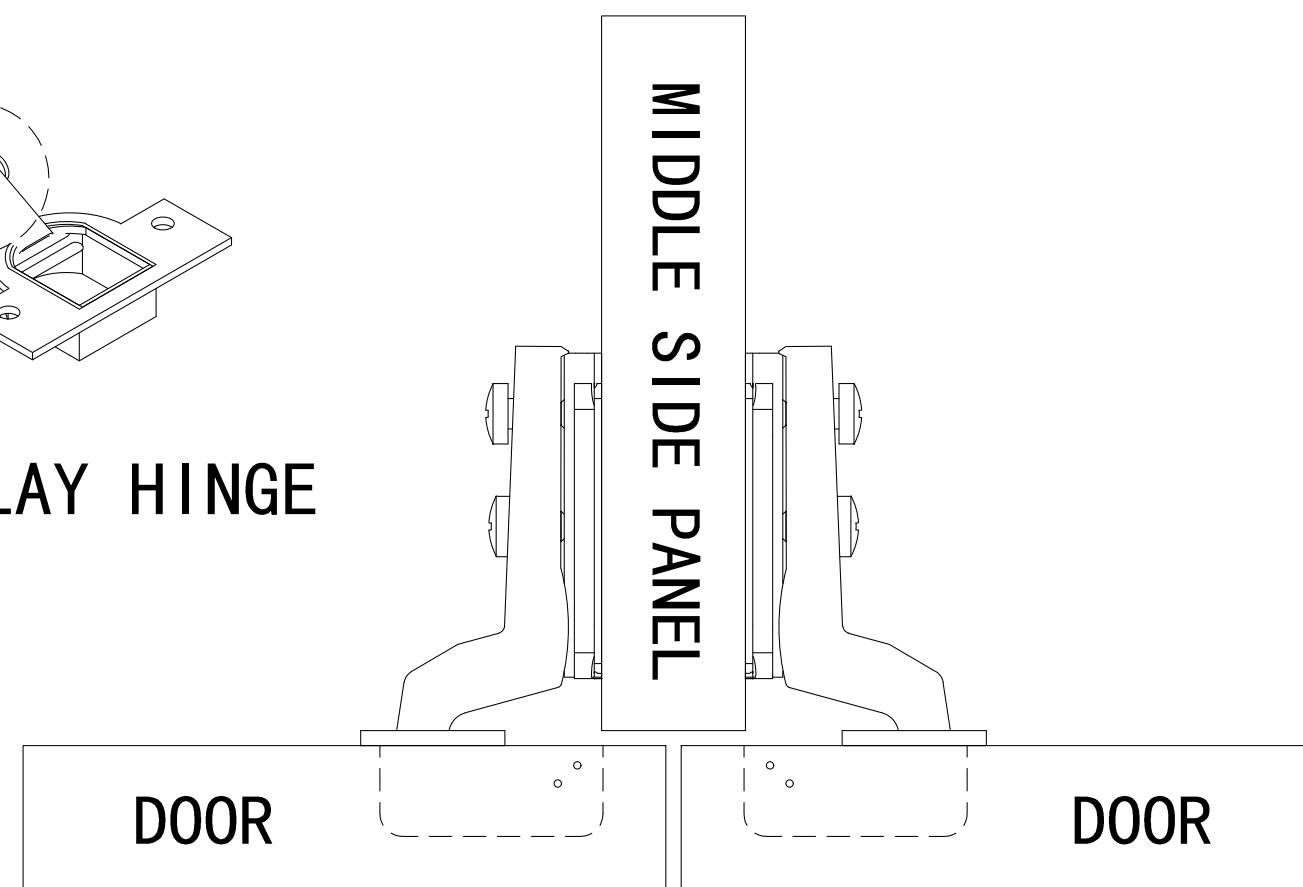
SIDE PANEL

DOOR

Note:  
The door can cover side panel.



HALF OVERLAY HINGE



MIDDLE SIDE PANEL

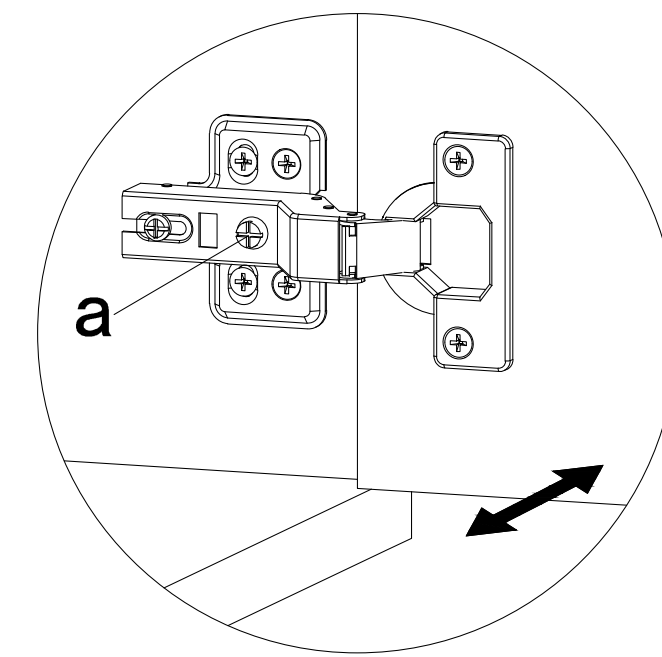
DOOR

DOOR

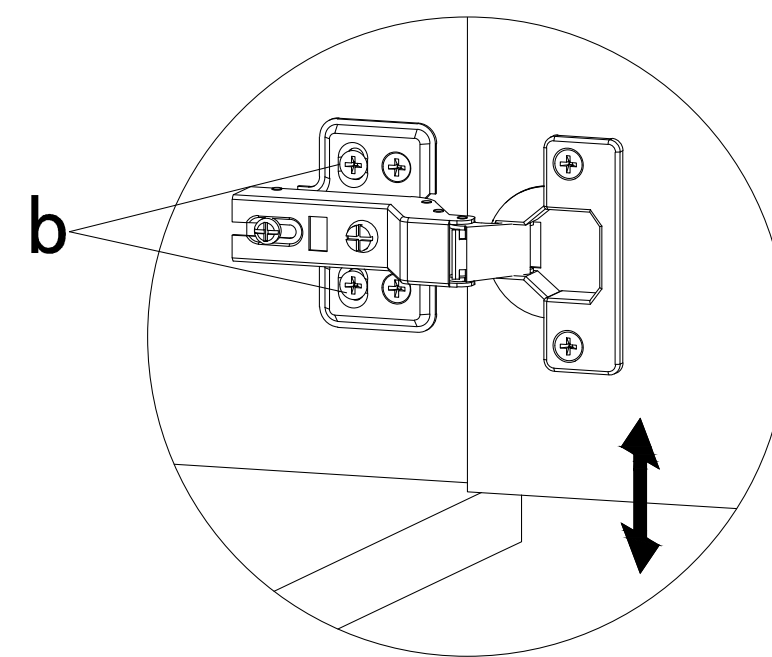
Note:  
Two doors can cover a middle side panel.

LABEL	PICTURE	QTY
I		32PCS

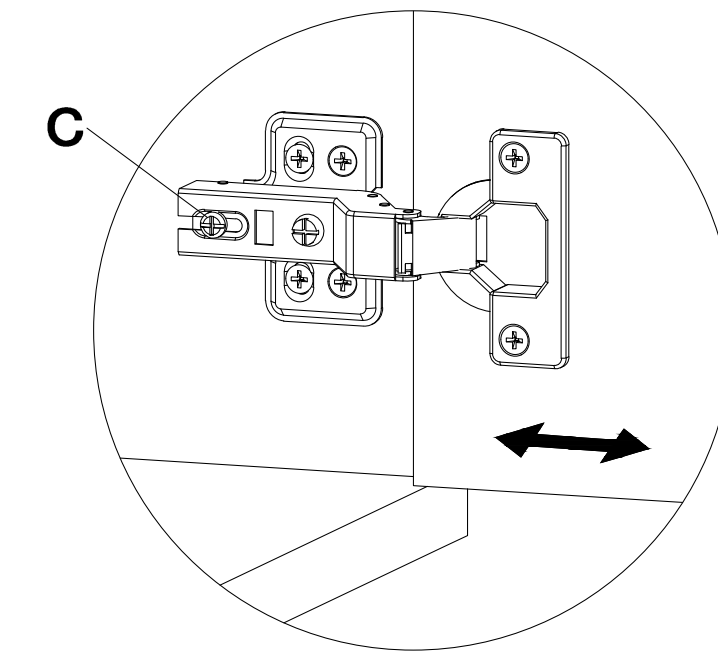
DOOR FITTING



To adjust in width

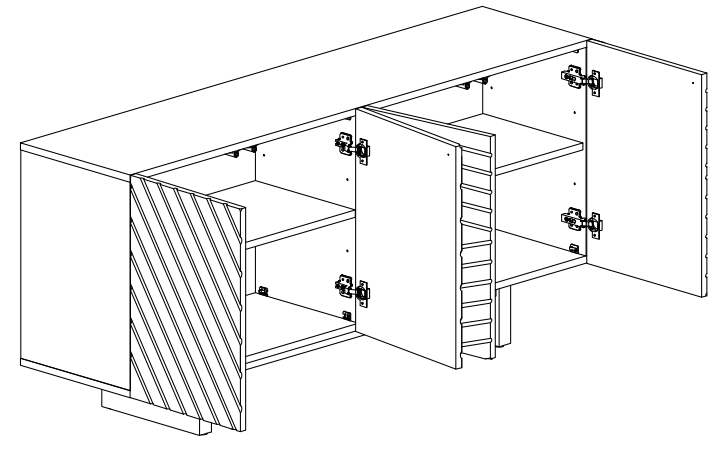


To adjust in height

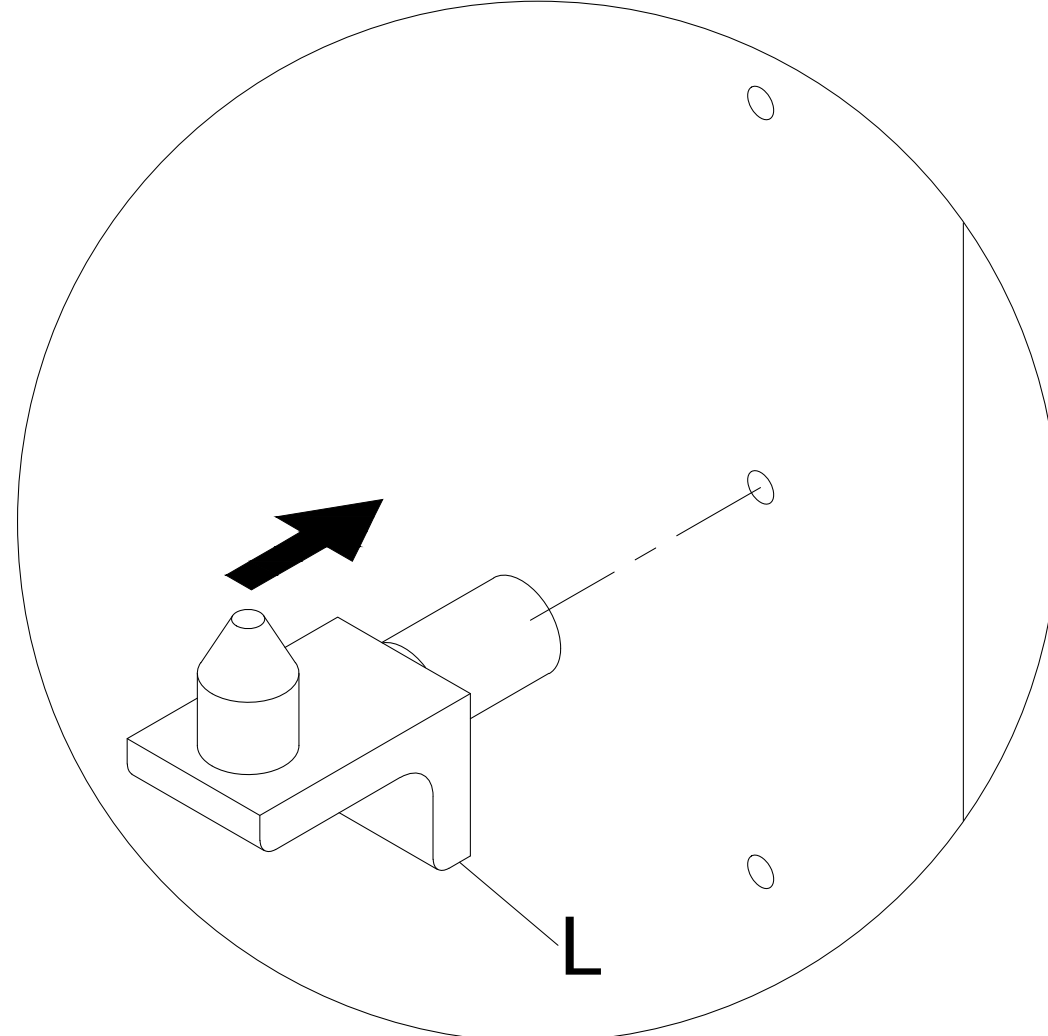
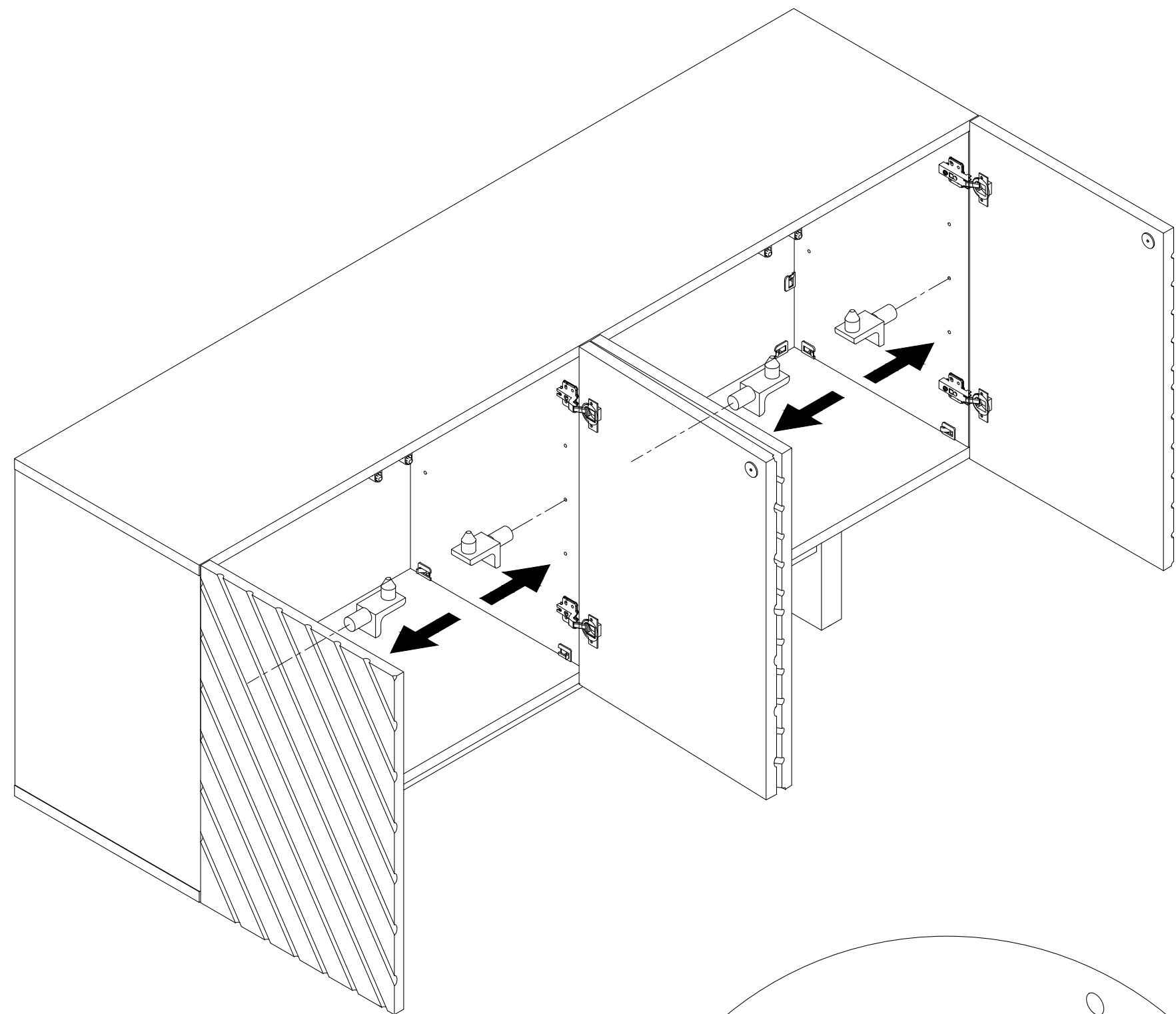


To adjust in depth

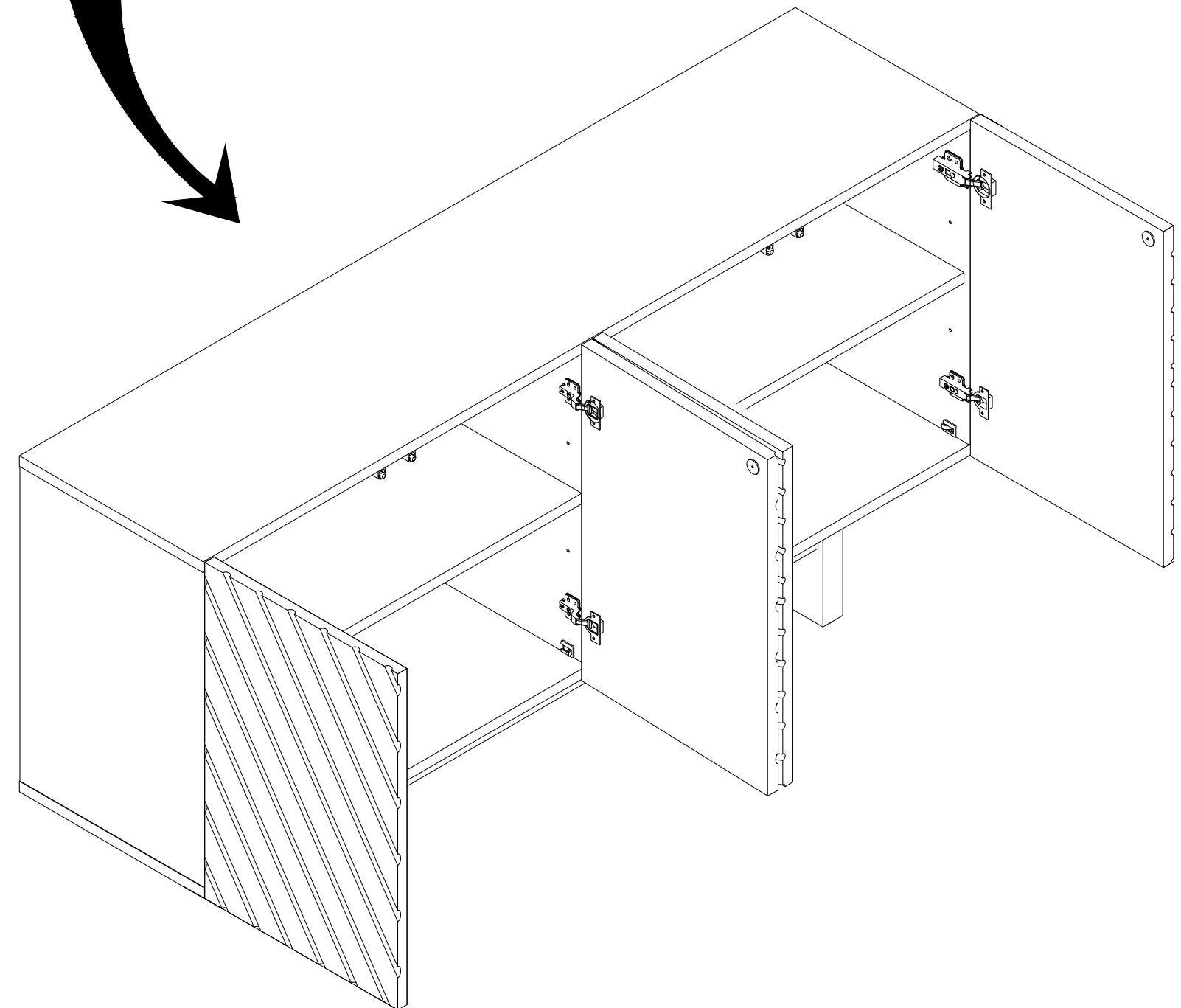
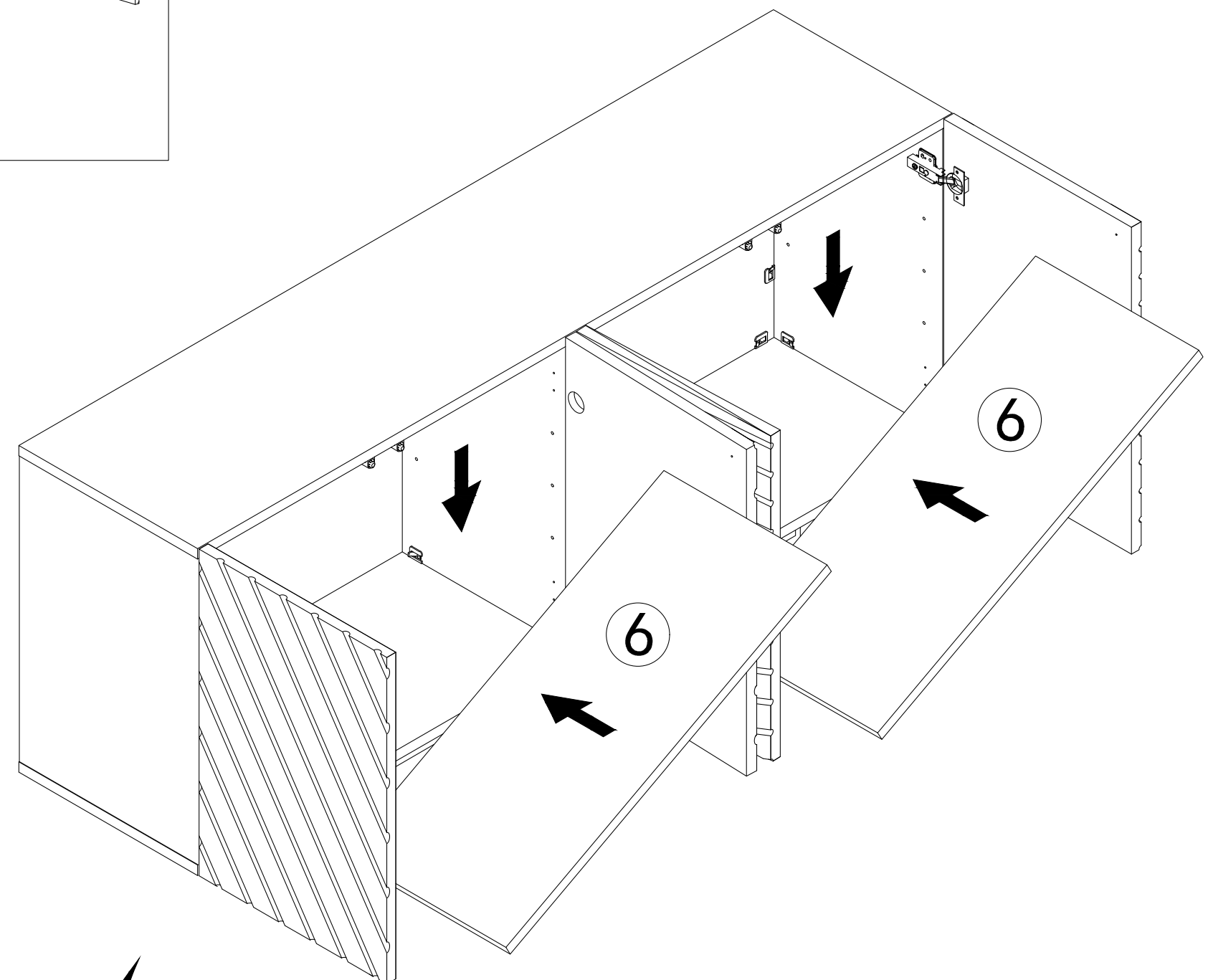
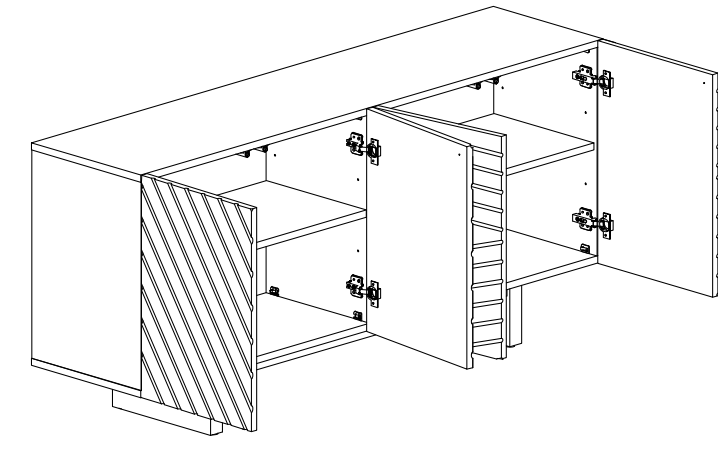
STEP 14



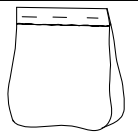
LABEL	PICTURE	QTY
L		8PCS

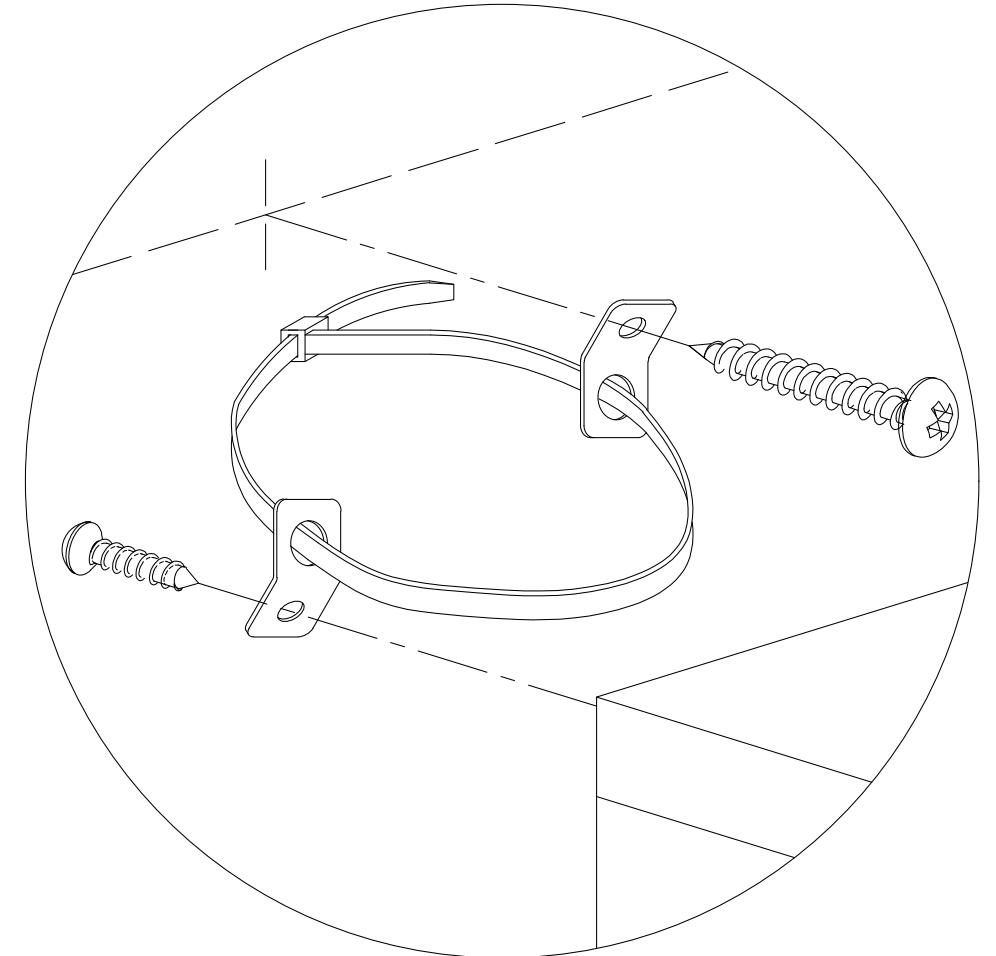
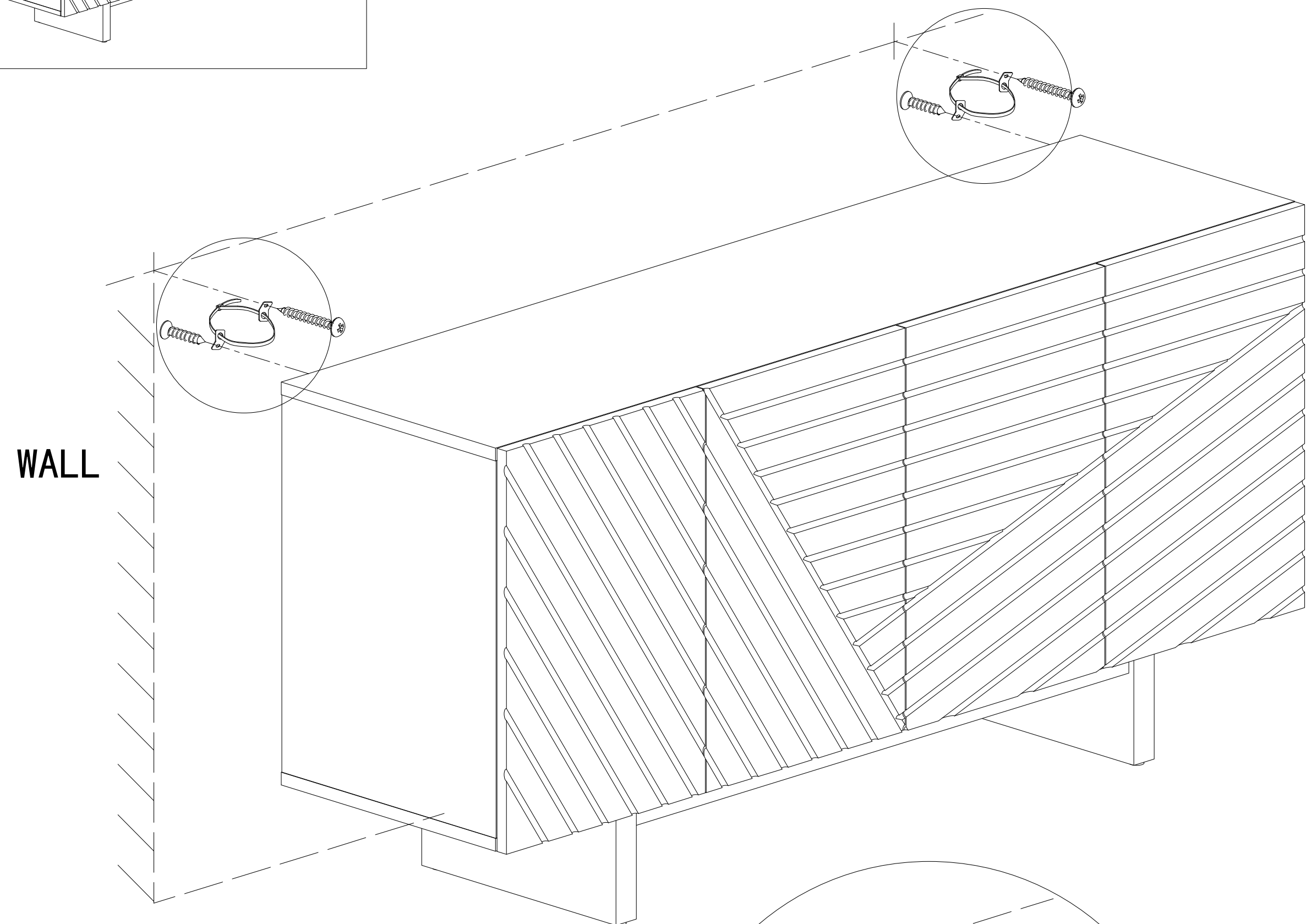
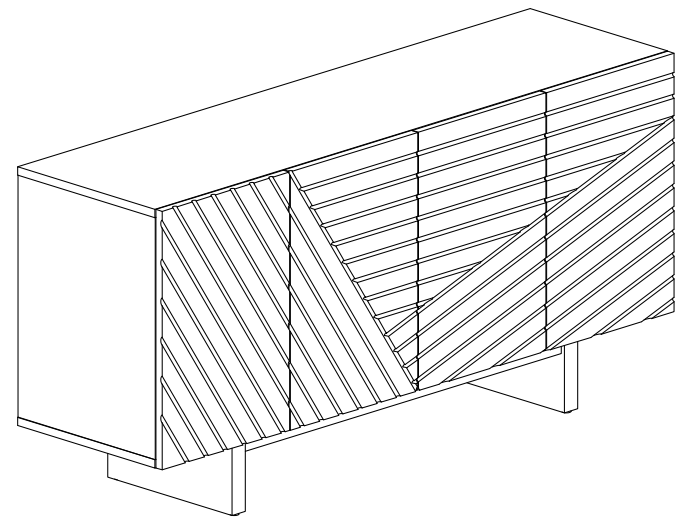


STEP 15



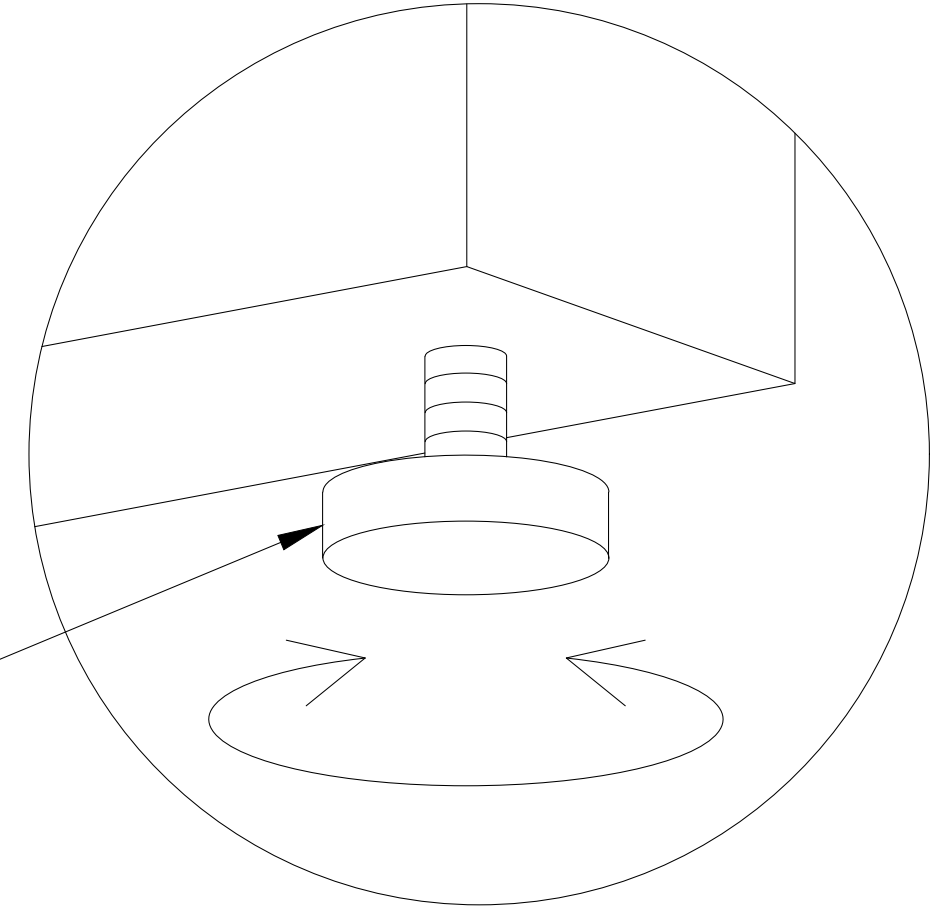
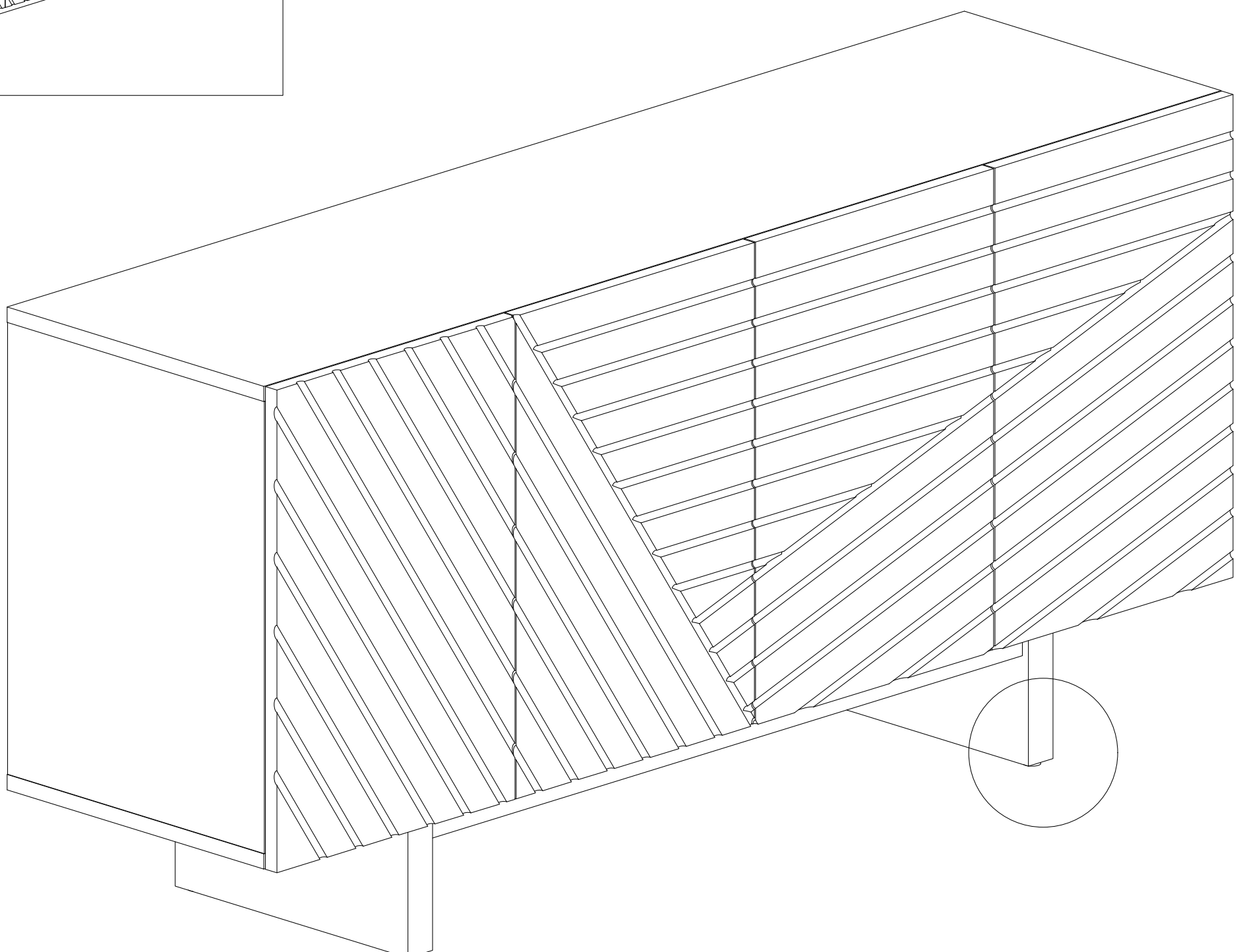
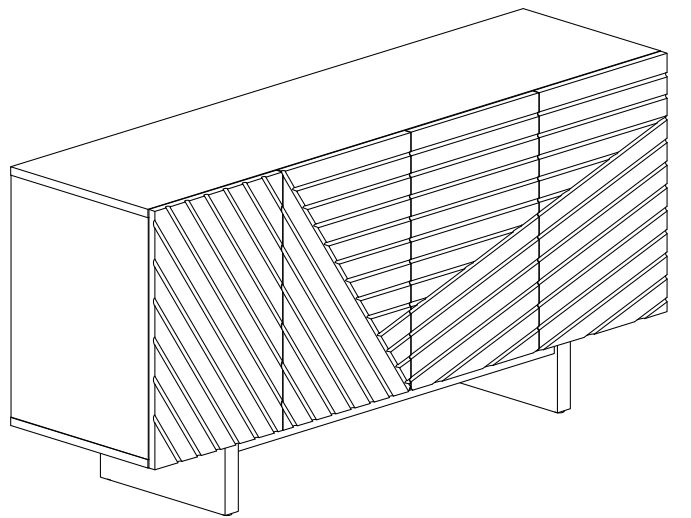
STEP 16

LABEL	PICTURE	QTY
M		2PCS



ANTI-TIP KIT INSTALLATION

STEP 17



ADJUSTABLE LEVELERS

To ensure the unit is level on the floor, please use the adjustable leveler on the bottom of each leg.