

ASSEMBLY INSTRUCTIONS

ASSEMBLY TIPS :

1. Remove hardware from box and sort by size.
2. Please check to see that all hardware and parts are present prior to start of assembly.
3. Please follow attached instructions in the same sequence as numbered to assure fast and easy assembly.

Component List

Headboard & Footboard

No	Descriptions	Qty
A	Headboard Panel	1
B	Footboard Panel	1
C	Footboard Back Cover	1
D	Slat Cover	1

Side Rail

No	Descriptions	Qty
E	Center Slat With 3 Holes	1
F	Bed Rail	2
G	Drawer Slat	1
H	Drawer Slat Support	1
I	Drawer Slat Support Stopper	1
J	Bed Slat 3 Holes	3
K	Bed Slat 2 Holes	10
L	Bed Slat Support	3






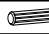

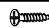
Leg

No	Descriptions	Qty
M	Headboard Leg Left and Right	2
N	Footboard Leg Left and Right	2

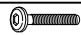


Drawer

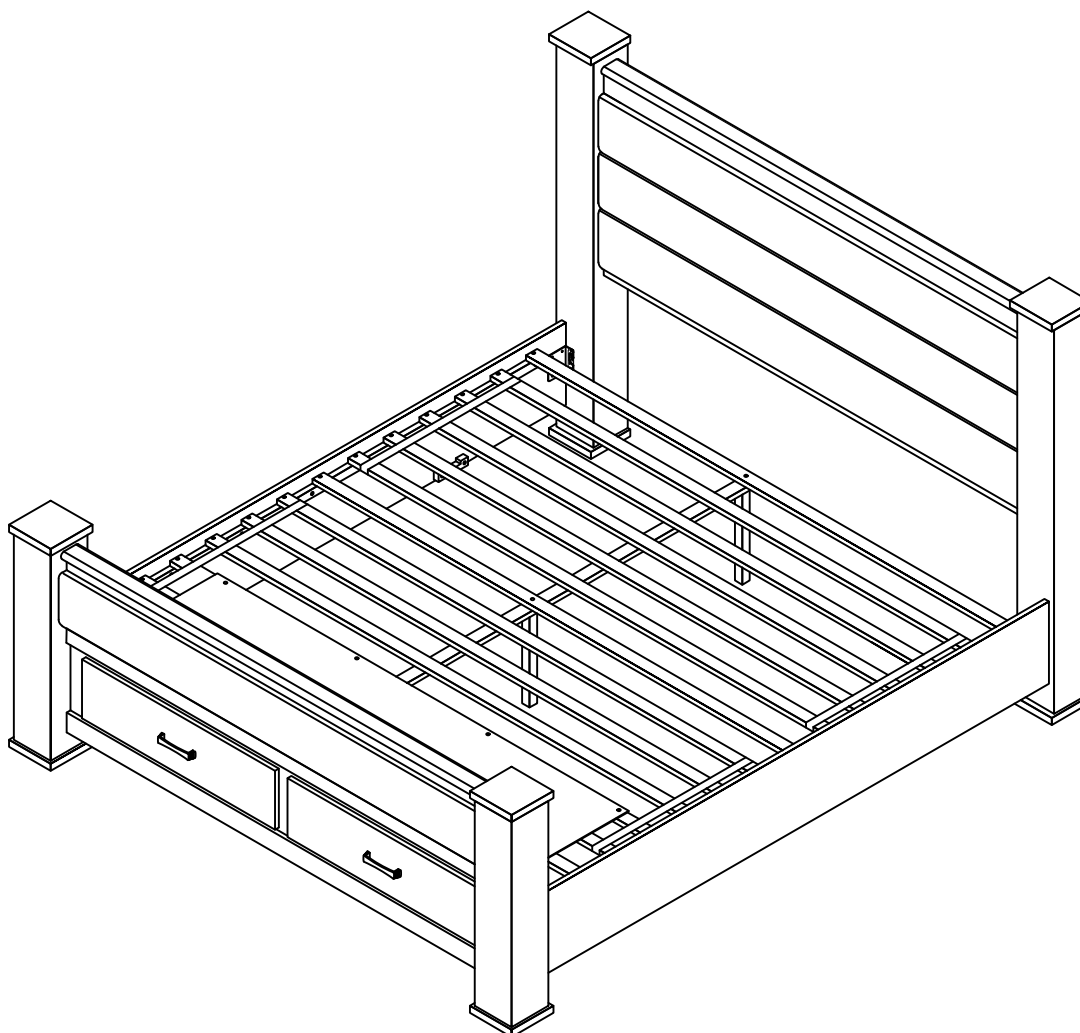
No	Descriptions	Qty
O	Drawer	2

Hardware List In Headboard & Footboard

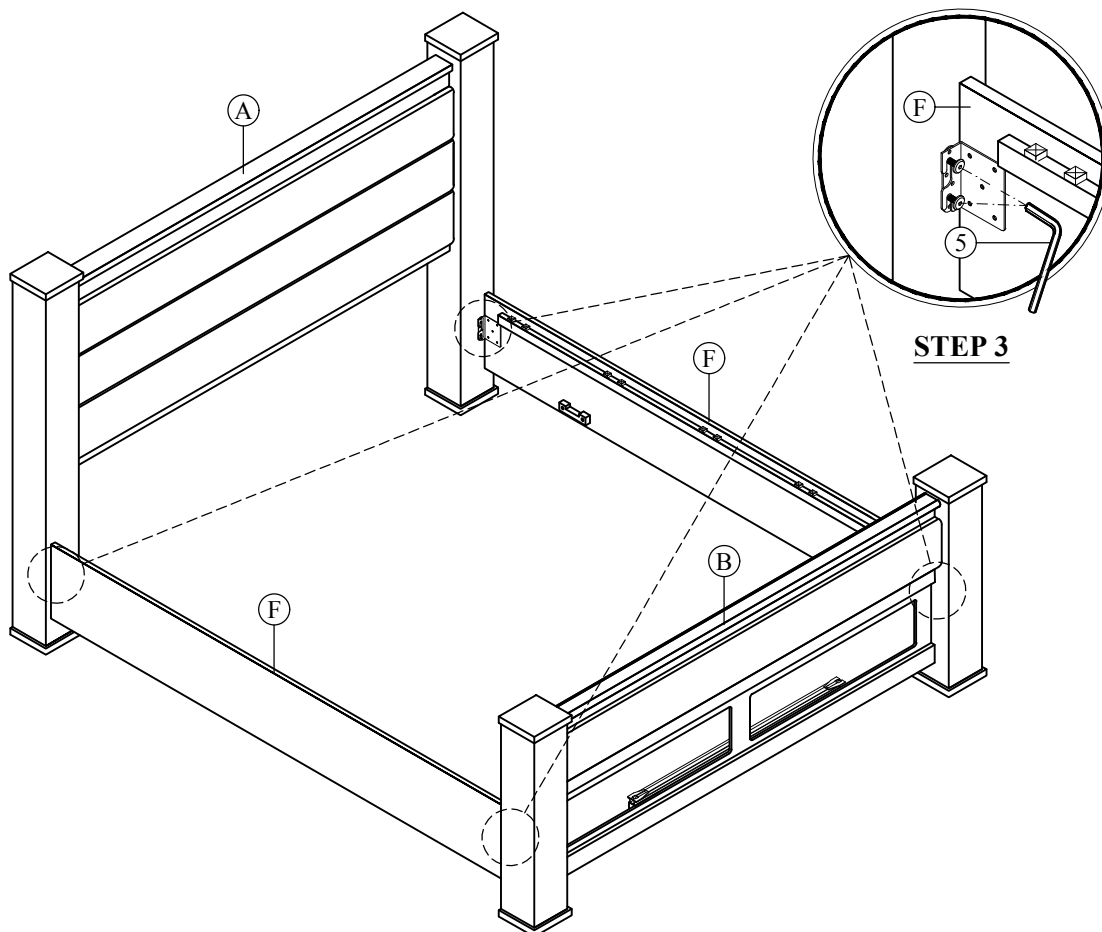
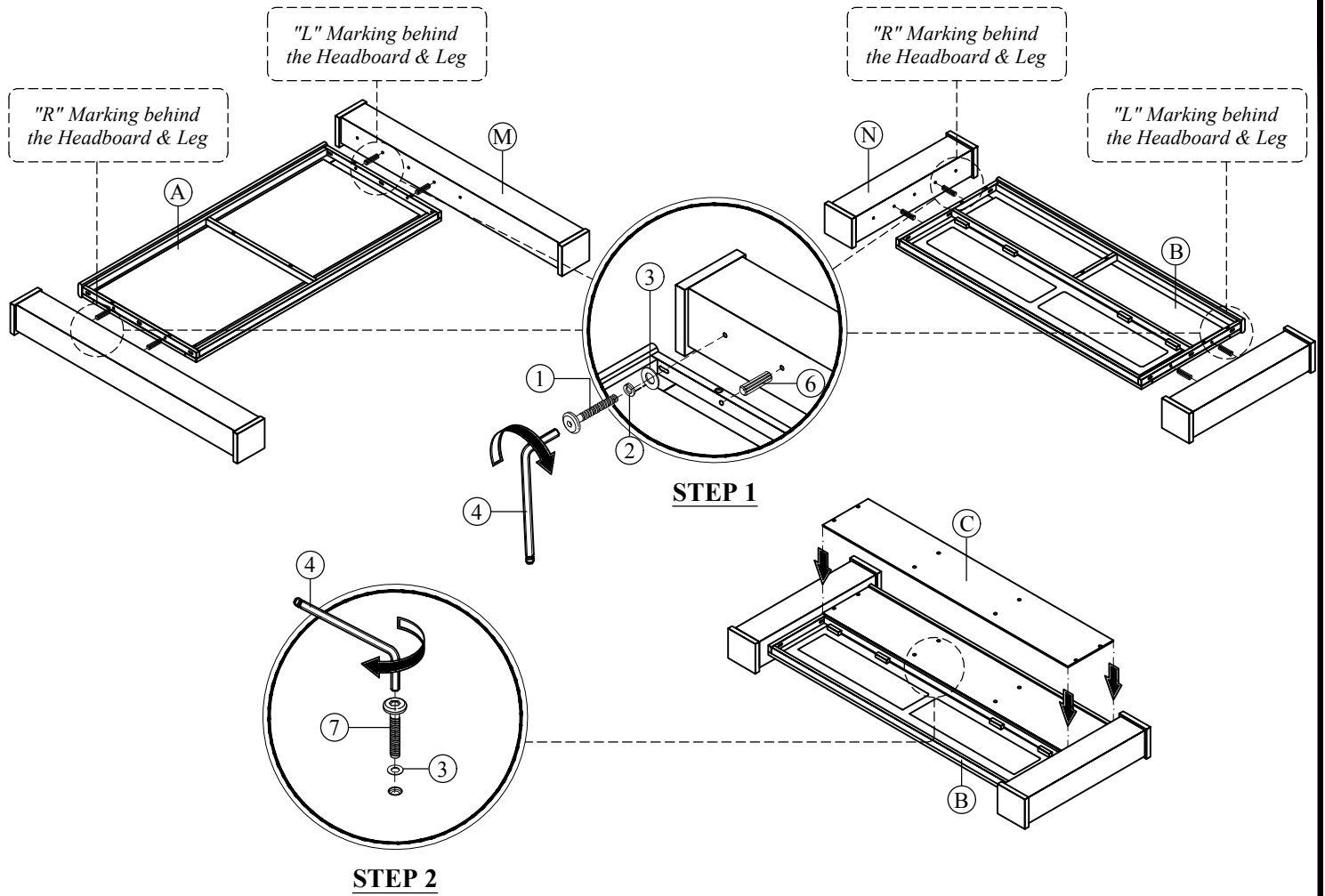
No	Descriptions	Qty
1	JCBC Screw M6 x 35mm 	12
2	Spring Washer Ø1/4" 	12
3	Flat Washer Ø1/4" x 20mm 	20
4	L Key M4 x 100mm 	1
5	L Key M5 	1
6	Wood Dowel 10mm x 30mm 	8
7	JCBC Screw M6 x 16mm 	8
8	CSK M4 x 16mm 	6

Hardware List In Side Rail

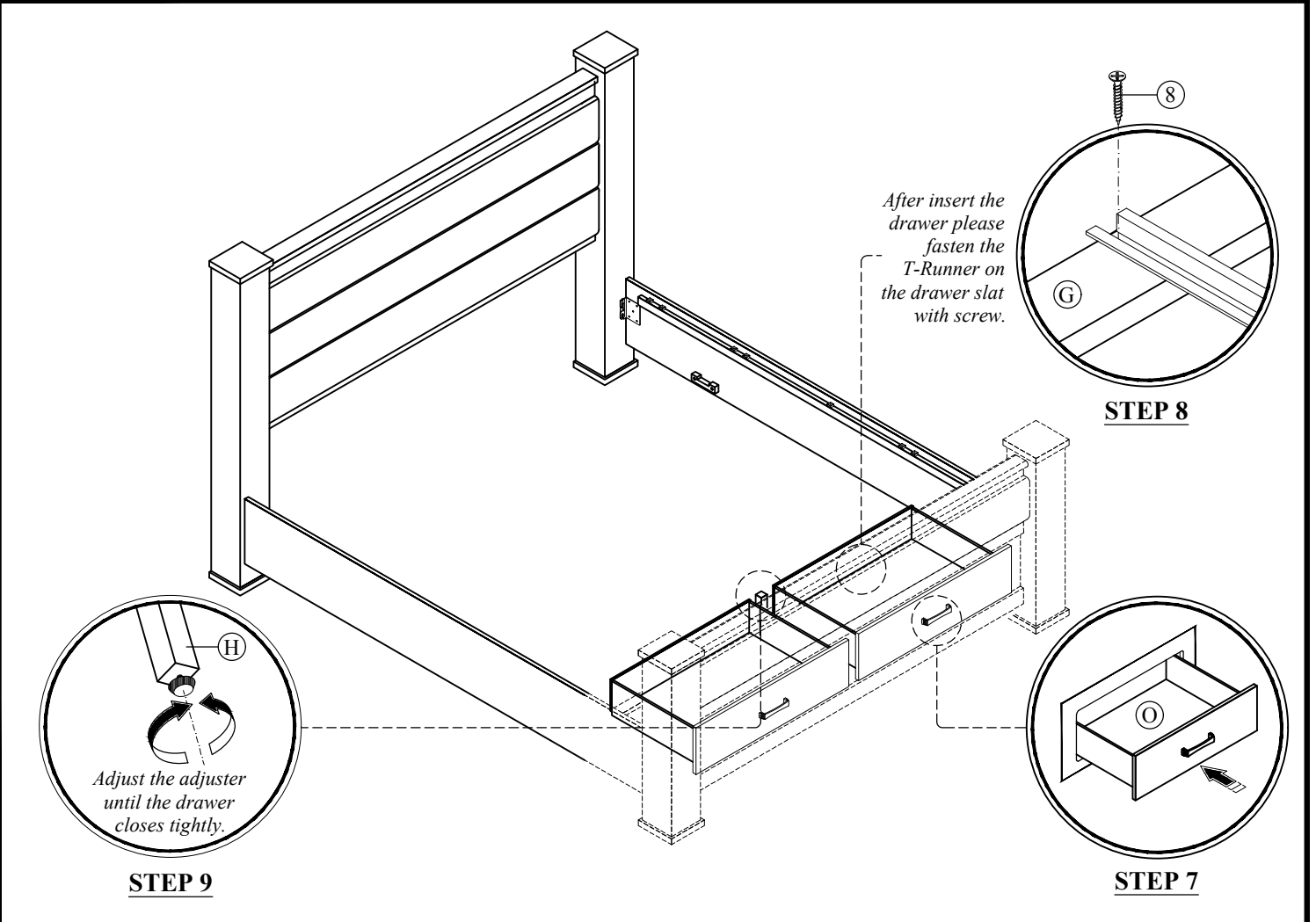
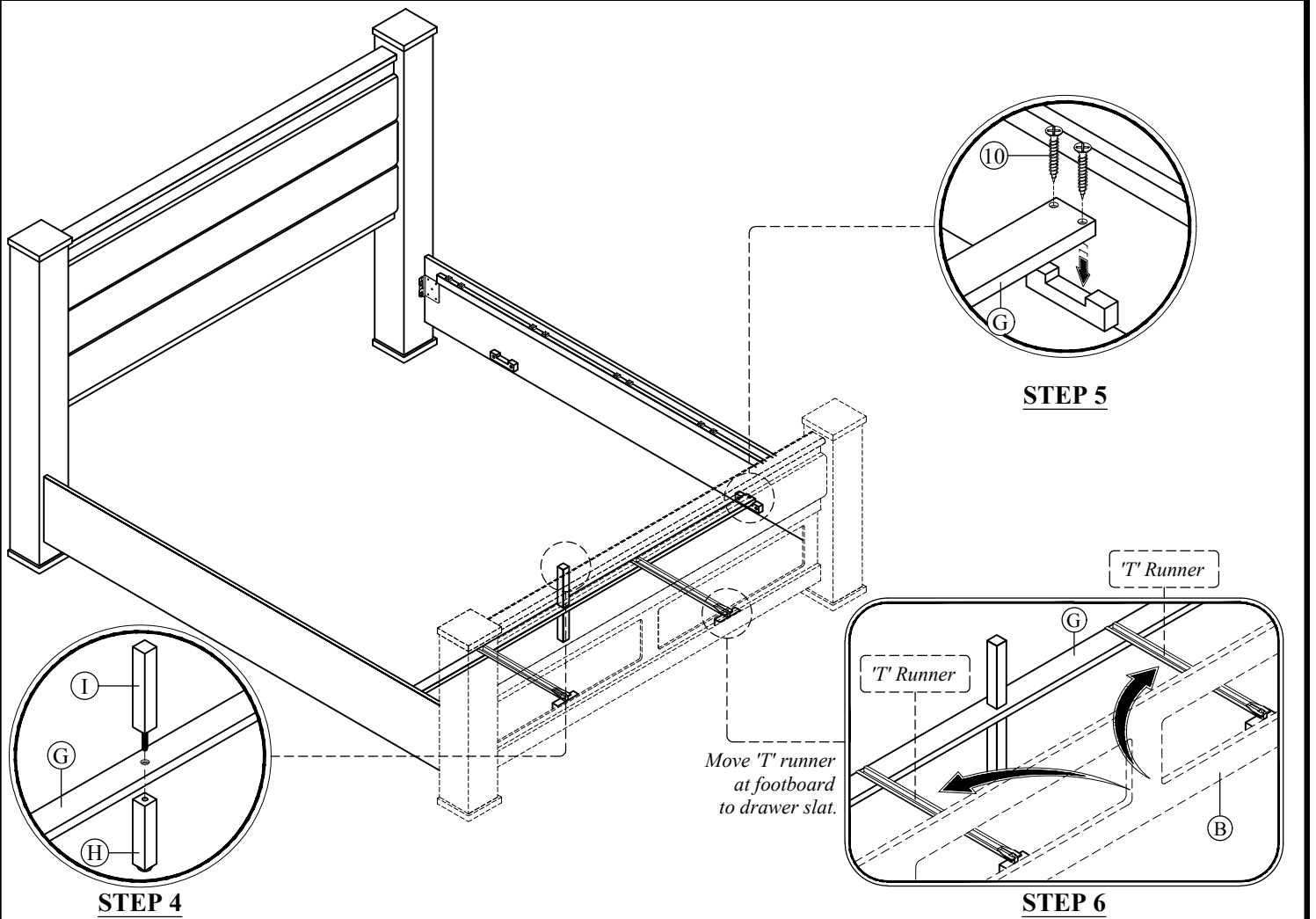
No	Descriptions	Qty
9	JCBC Screw M6 x 50mm 	3
10	CSK M4 x 32mm 	30
11	L Key M4 x 65mm 	1



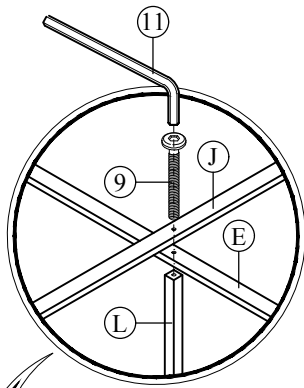
ASSEMBLY INSTRUCTIONS



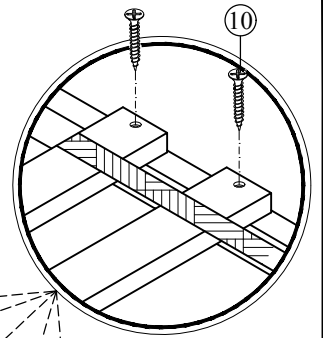
ASSEMBLY INSTRUCTIONS



ASSEMBLY INSTRUCTIONS



STEP 10

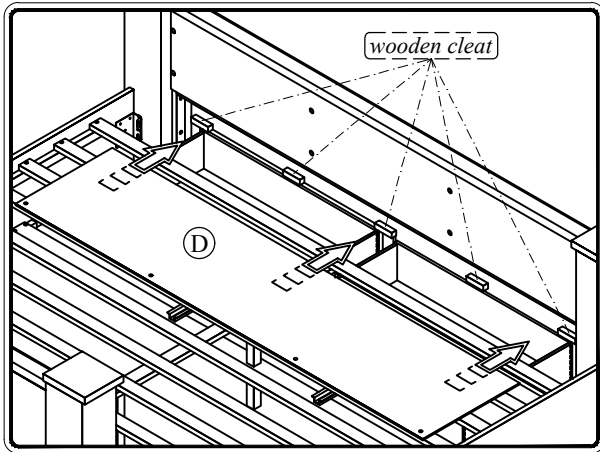
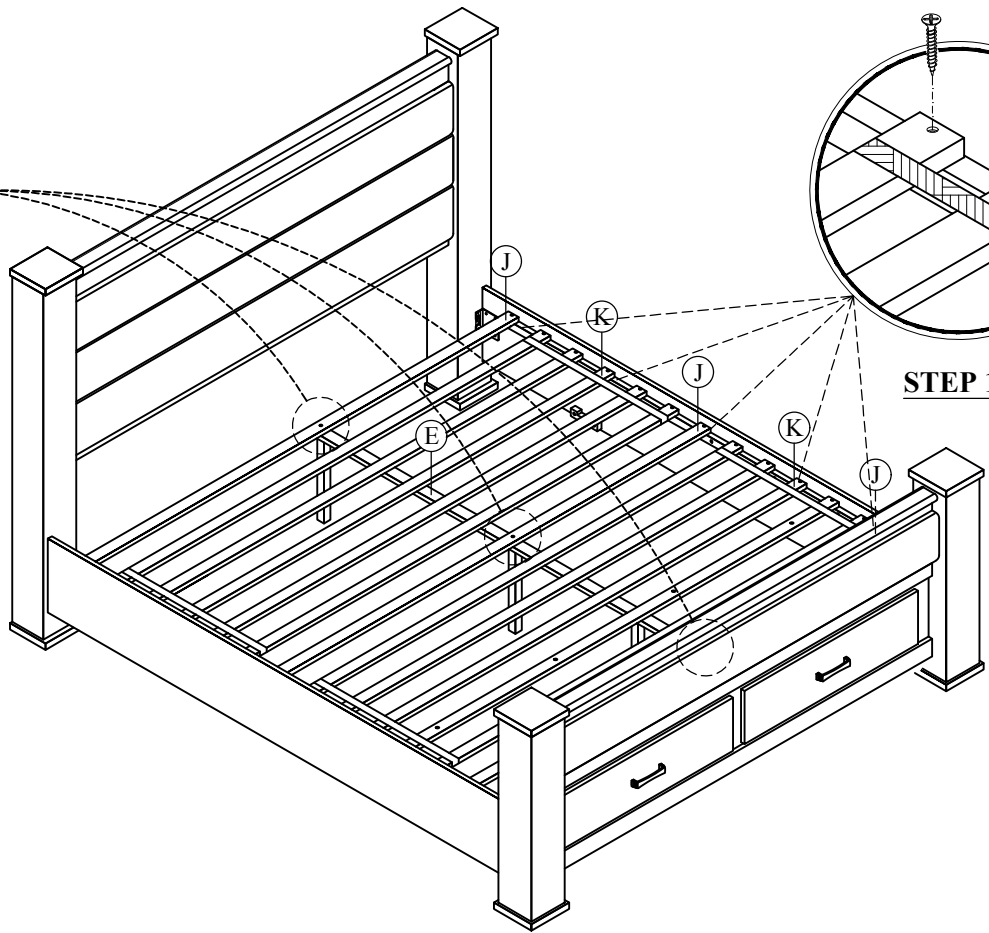


STEP 12



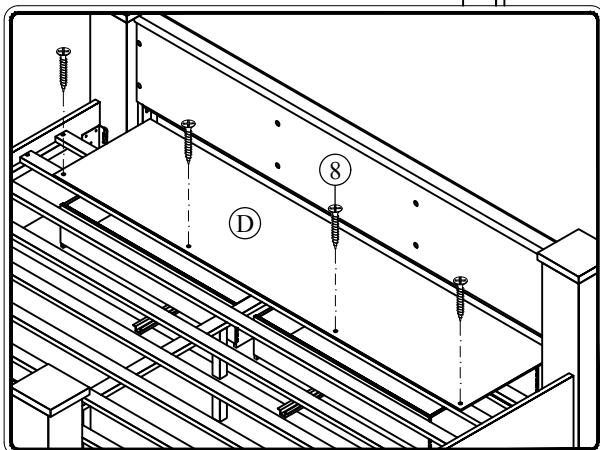
Adjust leveler to touch the floor.

STEP 11



STEP 13

*Insert the tip of slat cover on the back of the footboard until closely. (*Put the cover's tip on the top of wooden cleat).*



STEP 14

Fasten the slat cover on the bed slat using screws.

