

CAVALIER 18" VESSEL

Cat. No
4-152WH



W: 18"
D: 13-3/8"
H: 5-5/8", 5" center height

Features:

- ▶ Above counter basin
- ▶ Vitreous china for durability
- ▶ No overflow
- ▶ Drain not provided
- ▶ Can be used with pop-up drain **#57100**, grid drain **#5601** and umbrella drain **#UD701** (Not included)

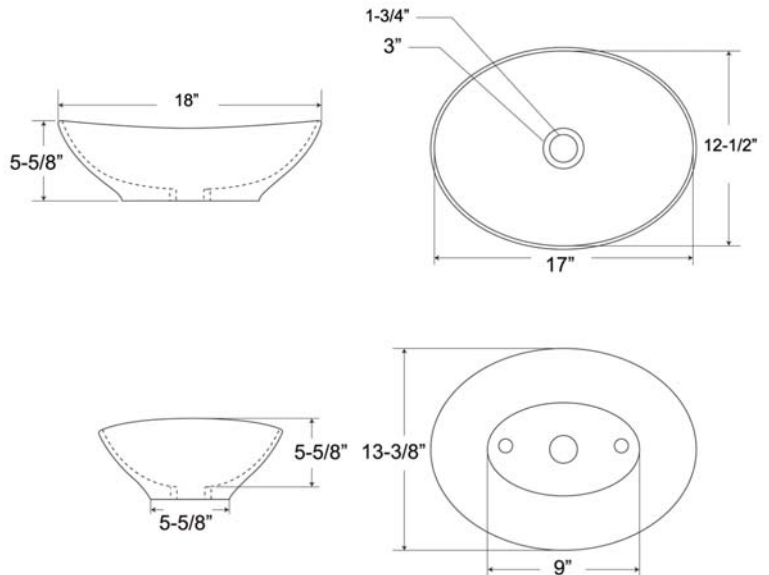
Colors:
WH White

Compliance Certification
Meets or exceeds the following specifications: ASME A112.19.2 2013 and CSA B45.1-13 for ceramic plumbing fixtures.

***Please do NOT drill hole without actual product.**

Interior Dimensions:

Basin Interior: 12-1/2" x 17"
Basin Depth: 4-1/4"
Back of basin to center of drain: 6-5/8"



Dimensions of fixture are nominal and may vary within the range of tolerances established by AMSE Standard A112.19.2.2013 Dimensions and specifications subject to change without notice.