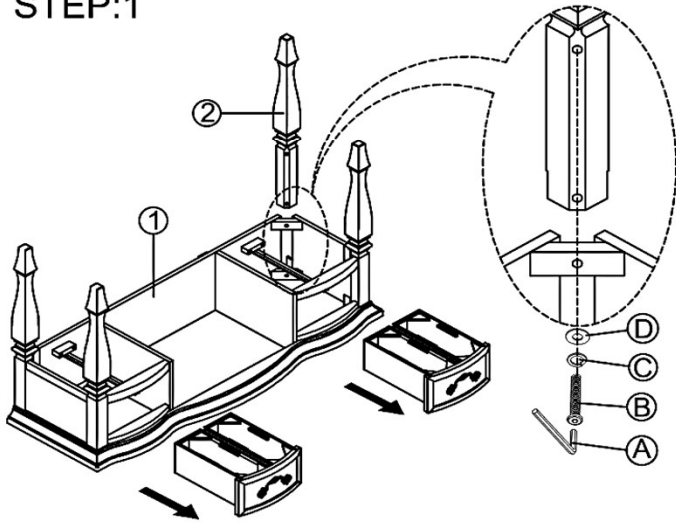


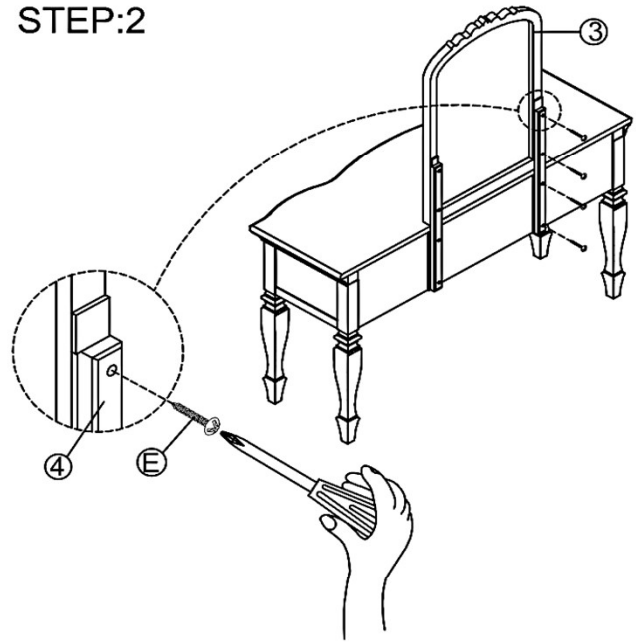
ASSEMBLY INSTRUCTION

WARNING DO NOT USE POWER TOOLS!, DO NOT TIGHTEN ALL BOTS UNTIL ALL THE LEGS ARE ATTACHED AND LEVELED.

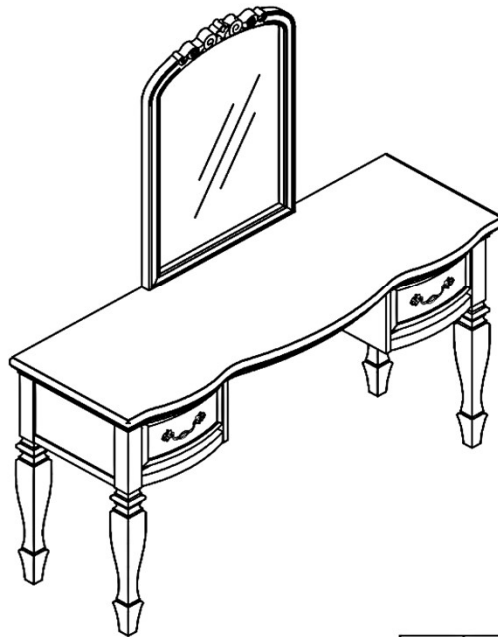
STEP:1



STEP:2



STEP:3



		HARDWARE LIST					
ASSEMBLY COMPLETED	PART LIST		NO	DESCRIPTION			
	 1- TOP (1PC)	 2- LEG (4PCS)	 3- MIRROR (1PC)	A	ALLEN KEY		1PC
				B	JCBC BOLT(Ø1/4"*45mm)		8PCS
			C	SPRING WASHER (Ø1/4"*Ø12mm)		8PCS	
			D	FLAT WASHER (Ø1/4"*Ø19mm)		8PCS	
			E	SCREWS Ø8*Ø4*L25mm		8PCS	
			 4- MIRROR SUPPORT(2PCS)				

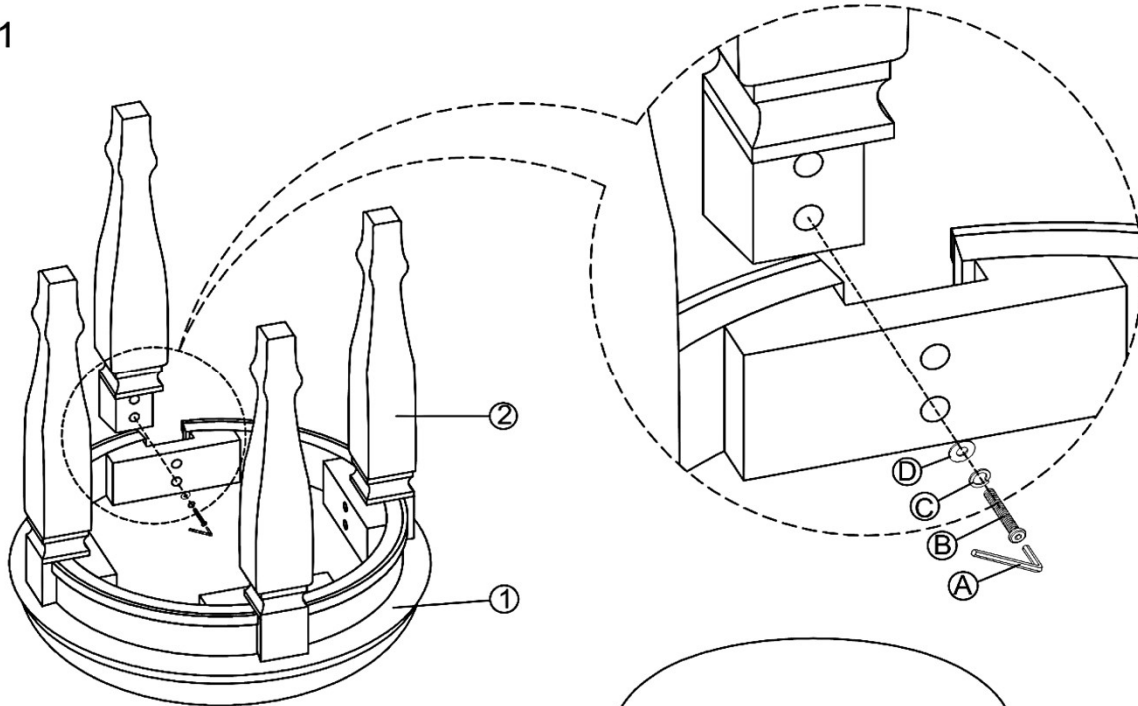
ASSEMBLY INSTRUCTION

**WARNING DO NOT USE POWER TOOLS!,
DO NOT TIGHTEN ALL BOTS UNTL ALL THE LEGS ARE ATTACHED AND LEVELED.**

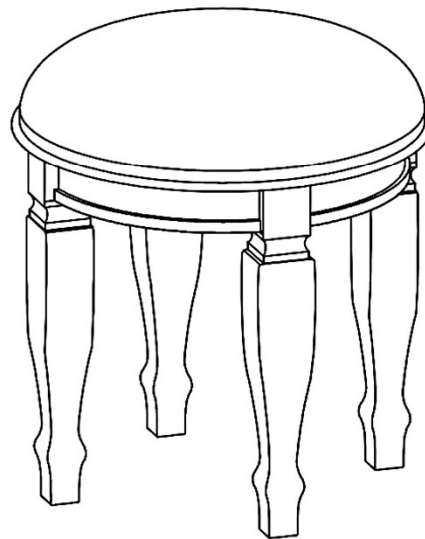
1. Place the stool on a level surface such as a glass or wooden panel.
2. Make sure the legs are positioned straight.
3. Slowly tighten each leg.

Each set of bolts must be tightened slowly and evenly, switching between top and bottom bolts to make sure the leg maintains the straight position.

STEP:1



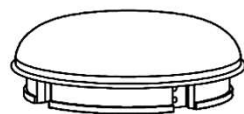
STEP:2



ASSEMBLY COMPLETED



PART LIST





1- TOP (1PC)



2- LEG (4PCS)

HARDWARE LIST

NO	DESCRIPTION		
A	ALLEN KEY		1PC
B	JCBC BOLT(Ø1/4**45mm)		8PCS
C	SPRING WASHER (Ø1/4**Ø12mm)		8PCS
D	FLAT WASHER (Ø1/4**Ø19mm)		8PCS