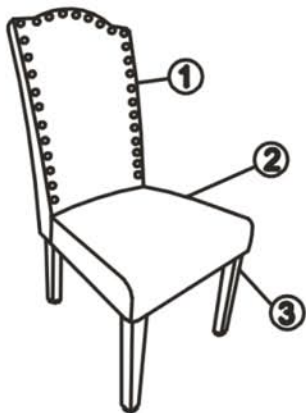


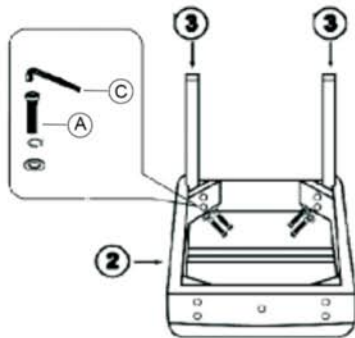
# ASSEMBLY INSTRUCTION

## CUSTOMER SERVICE :

if you are missing parts or have any questions about this product, contact our customer service representative first!

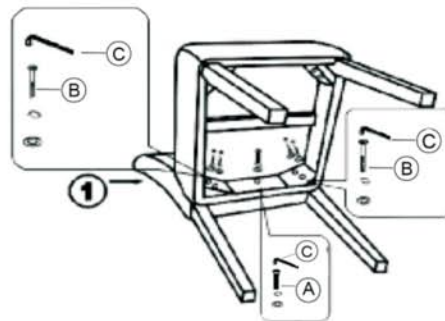


①



Insert the screws in the holes, tighten the screws, but not too tight, 90% is OK.

②

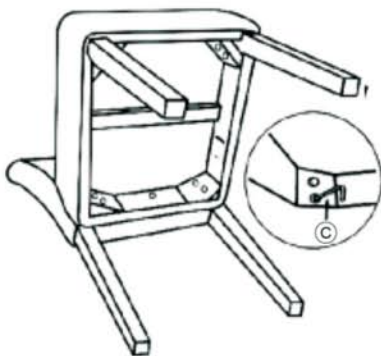


Insert the screws in the holes, tighten the screws, but not too tight, 90% is OK.

③

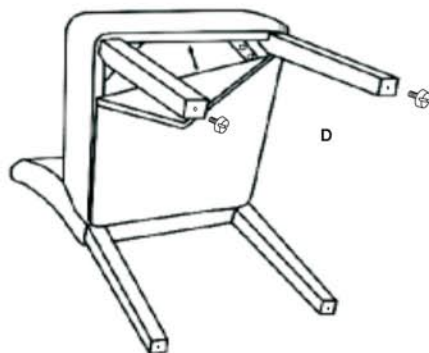


④



Tight all the screws to 100%

⑤











Stick the black part on the seat

⑥



A few days after initial assembly, the product may acclimate to its new environment. Please ensure all screws are still securely tightened.

HARDWARE LIST	CODE	PARTS	QTY.
	1	BACK	1
	2	SEAT	1
	3	FRONT LEG	2

HARDWARE LIST	CODE	PARTS	QTY.
	A	M8X60MM   	5
	B	M8X80MM   	4
	C	ALLEN KEY 	1
	D	ADJUSTING PIN NAILS 	2