

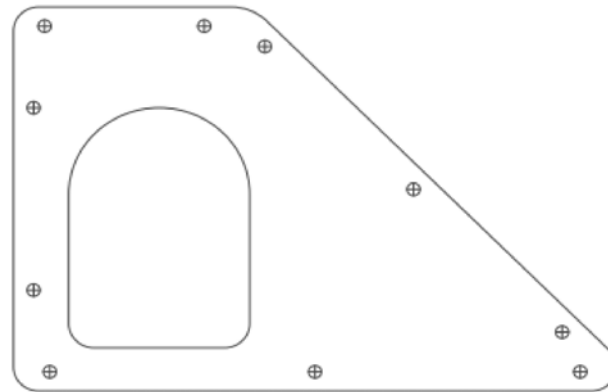


CARE AND MAINTENANCE

Wipe clean with a soft cloth dampened in water and a mild soapy solution. Wipe dry with a clean and dry cloth. This cat scratcher requires no maintenance however, by keeping it clean and storing it properly your cat can enjoy it year after year.

NOTICE

- Please make sure that you have all parts indicated before you begin assembly of this item
- This item should be assembled on a soft surface to prevent scratching the finish during assembly
- This item may require periodic tightening



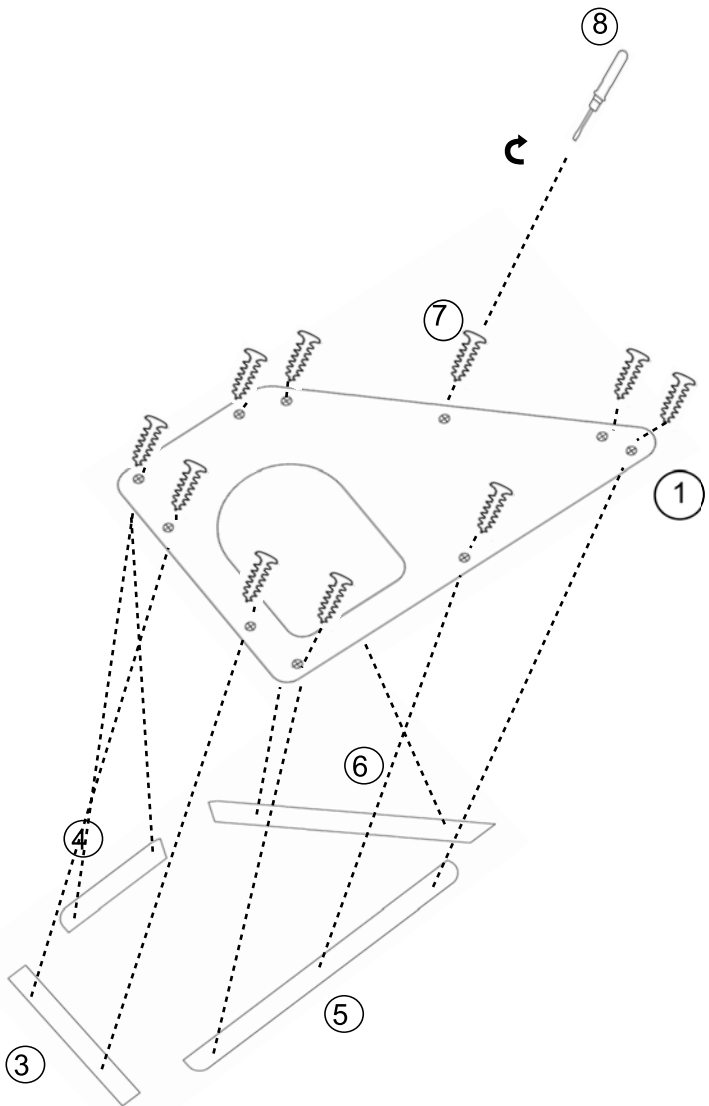
Item # CSR1008A

Product Dimensions: 23.625"Lx12"Wx15.75"H

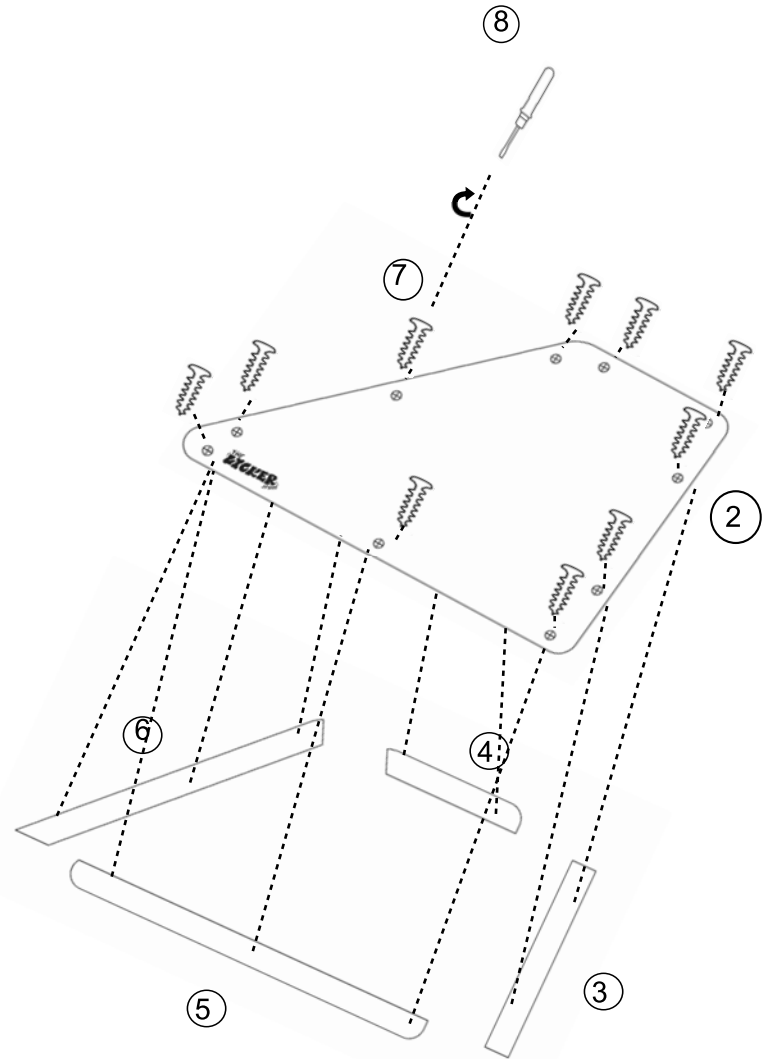
If there are any questions relating to defects, assembly issues, missing parts, or replacements, then please send a detailed email to hello@thelickerstore.com

Part List and Hardware List

PIECE	PICTURE	DESCRIPTION	QTY
1		Front MDF Board 23.625"Lx15.75"W	1 pcs
2		Rear MDF Board 23.625"Lx15.75"W	1 pcs
3		Corrugated Paperboard 12.625"L	1 pcs
4		Corrugated Paperboard 9.25"L	1 pcs
5		Corrugated Paperboard 23.625"L	1 pcs
6		Corrugated Paperboard 19.75"L	1 pcs
7		Plastic Screw	20 pcs
8		Screwdriver	1 pcs



Step 1



Step 2