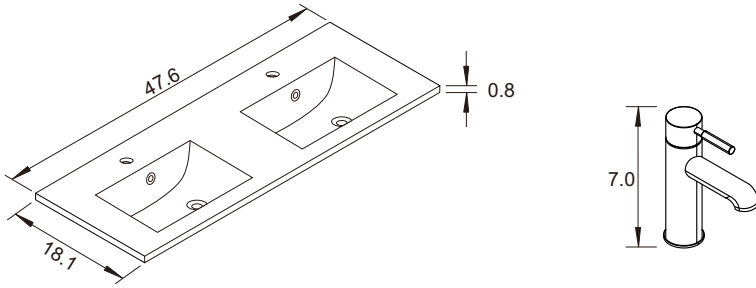


DIMENSION

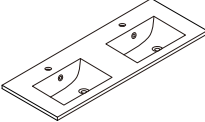
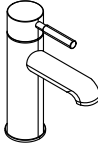







Unit:inch



YOU MAY NEED (NOT SUPPLIED)



PARTS LIST

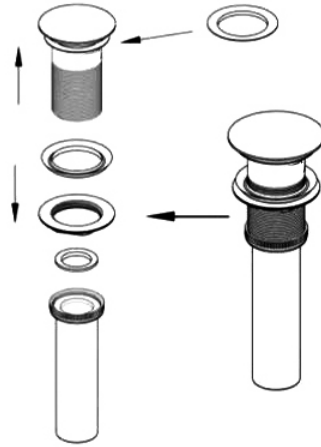
PARTS LIST						
A 	C 		D 			
	x1		x2		x2	
B 	B1 	E 	F 	J 	H 	
x2	x2	x2	x2	x2	x2	

CAUTION: Please confirm the parts list before installtion

INSTALLATION

STEP 1

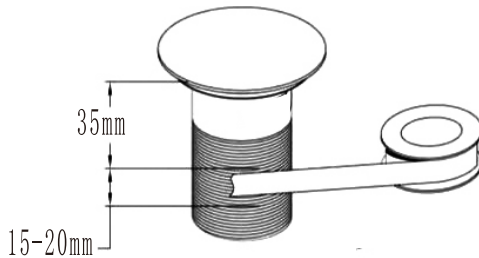
- Take apart the pop up drain and put the thin rubber washer at the top of body.



STEP 2

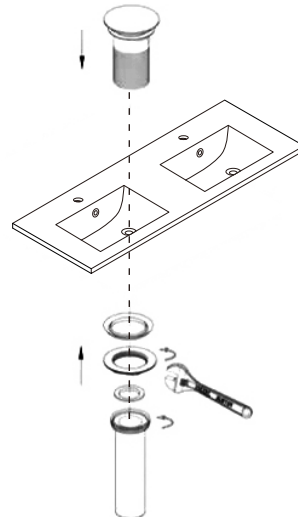
- Apply the thread seal tape and binds five or six laps around the area what the picture shows.

(Thread seal tape five or six laps)



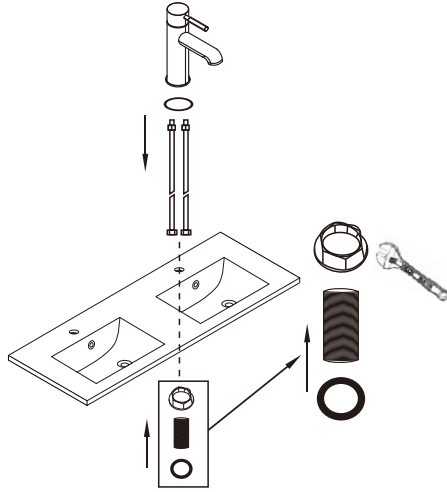
STEP 3

- Insert the drain top into the vessel. Install thick rubber washer and drain nut in turn. Tighten the drain nut and then tail piece.



STEP 4

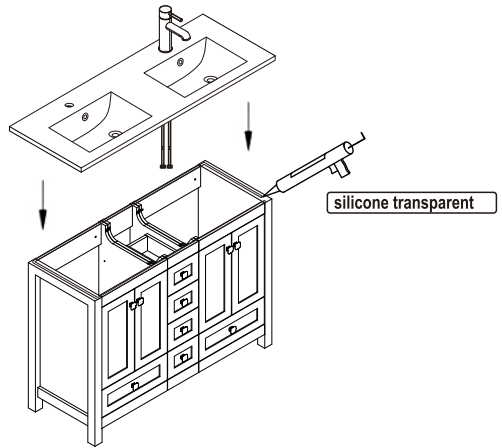
- Position the gasket under the faucet. Connect the hot and cold water pipes to the faucet. Insert the faucet into the hole. Install the rubber gasket, then the metal gasket, then the fixing bolts. Tighten the fixing bolts.



STEP 5

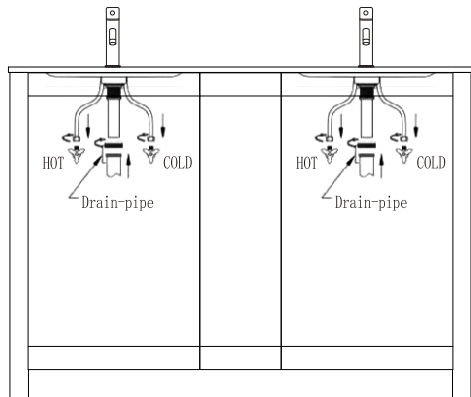
- Carefully position the vessel on the tabletop and press down firmly. Immediately wipe away any excess sealant, and fill any voids as needed.

- **CAUTION:** please do not remove the vessel before drying and reserve a installation space for the faucet.



STEP 6

- **Tips:** After the installation, please open the drain and faucet for seal test.



CARE AND CLEANING

1. Many cleansers contain abrasive and chemical substance which is not suitable for cleaning stainless steel, enamel, plating or plastic products. You may use mild cleansers or soaps to clean the surfaces. Wipe any splashes of cleaner solutions from the surface with a clean soft cloth.
2. Maintain ventilation in the bathroom and separate the dry area from the damp one if conditions permit. Try to open the door and windows of the bathroom to maintain adequate ventilation.
3. This cabinet is built to withstand normal bathroom humidity. For best results, keep this vanity dry and take necessary steps to minimize bathroom humidity by opening windows and doors and using the exhaust fan (if available).
4. To maintain the cabinet door, clean and wipe the door regularly with a soft cloth. Wipe condensation with a dry, soft cloth. Keep away from fires and high temperatures.
5. Please do not sit, lean or step on the basin cabinet.

FEEDBACK ★★★★★

Thank you very much for purchasing from us.

We have always been trying to provide the best service and reliable products for every customer.

We sincerely hope you will be satisfied with our products and leave us FIVE STARS and POSITIVE feedback/review in our page.

However, accident may happen sometimes, please contact us to resolve any issue before leaving a negative feedback.

Many thanks and welcome to our shop again!