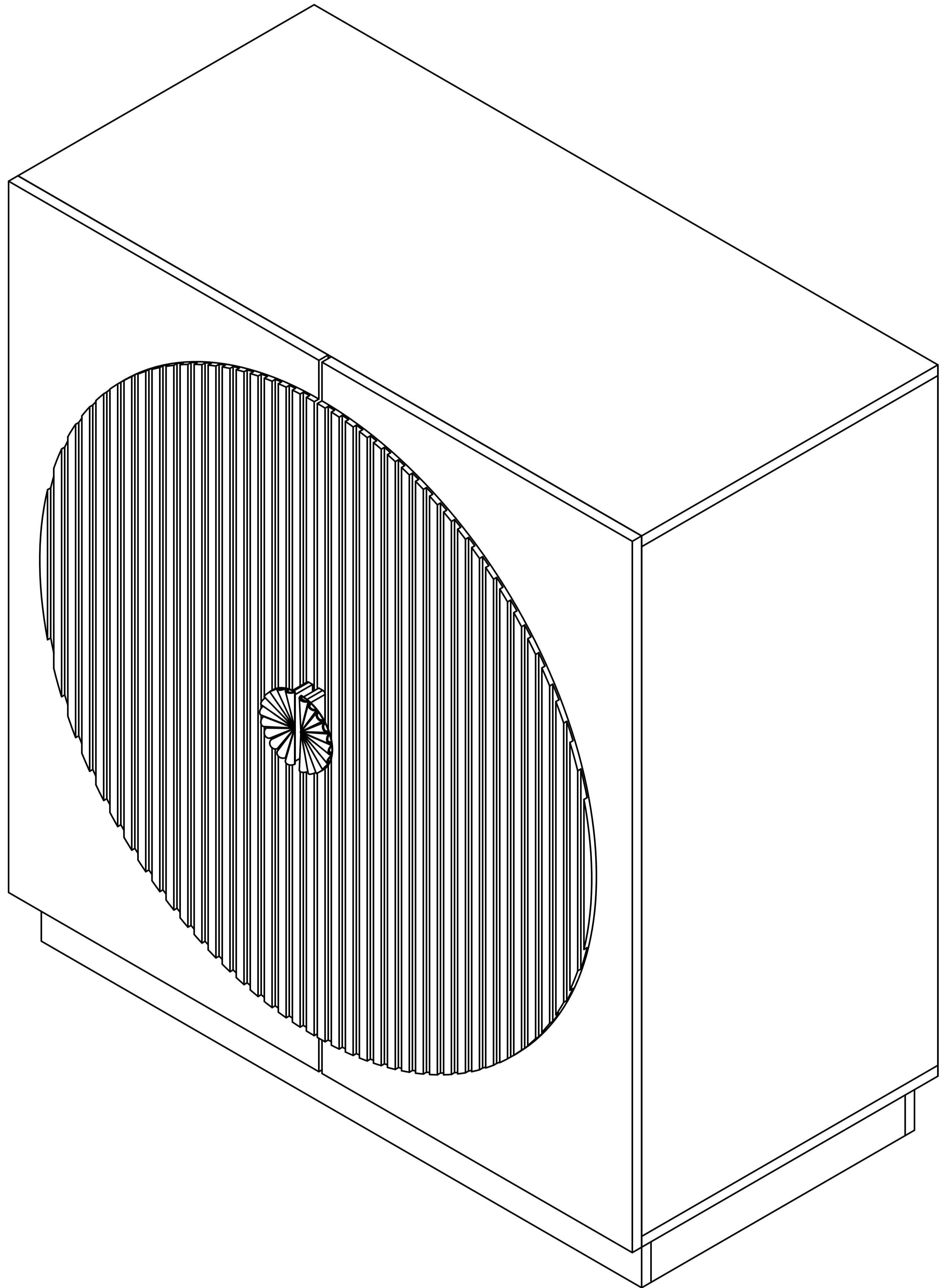
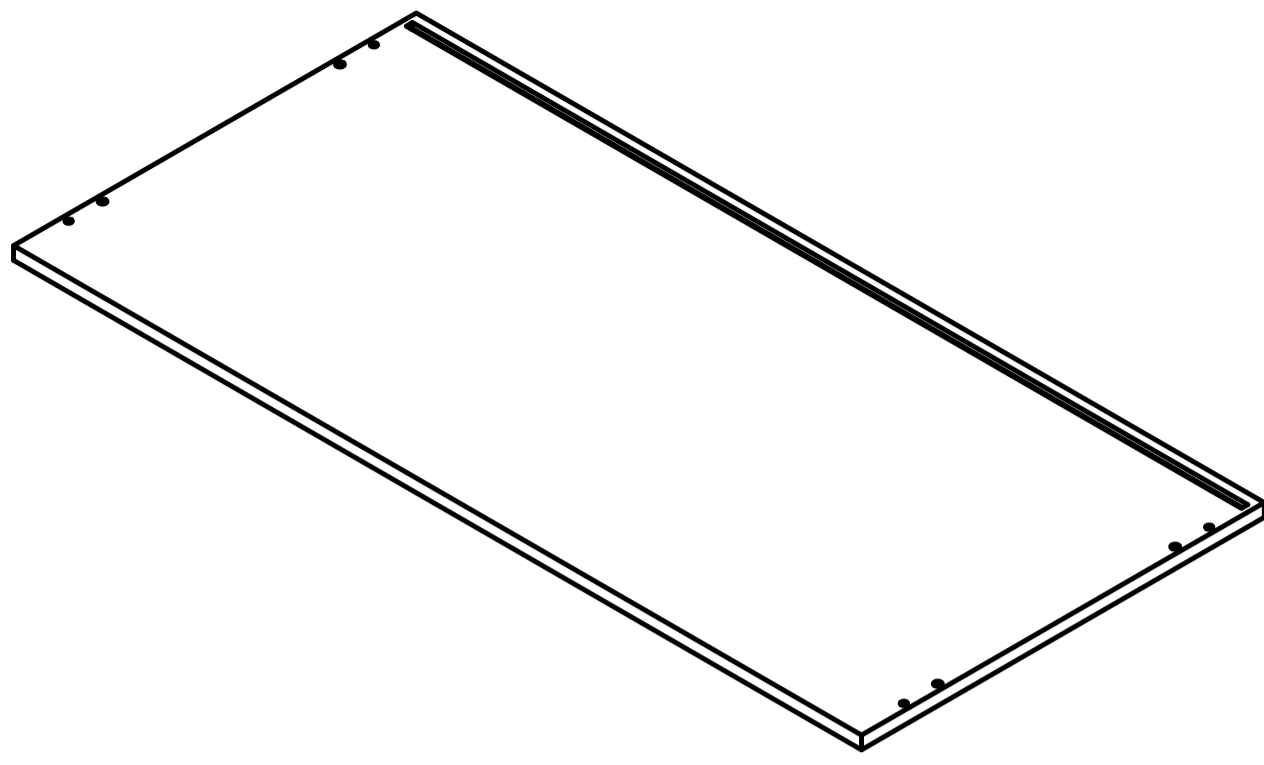
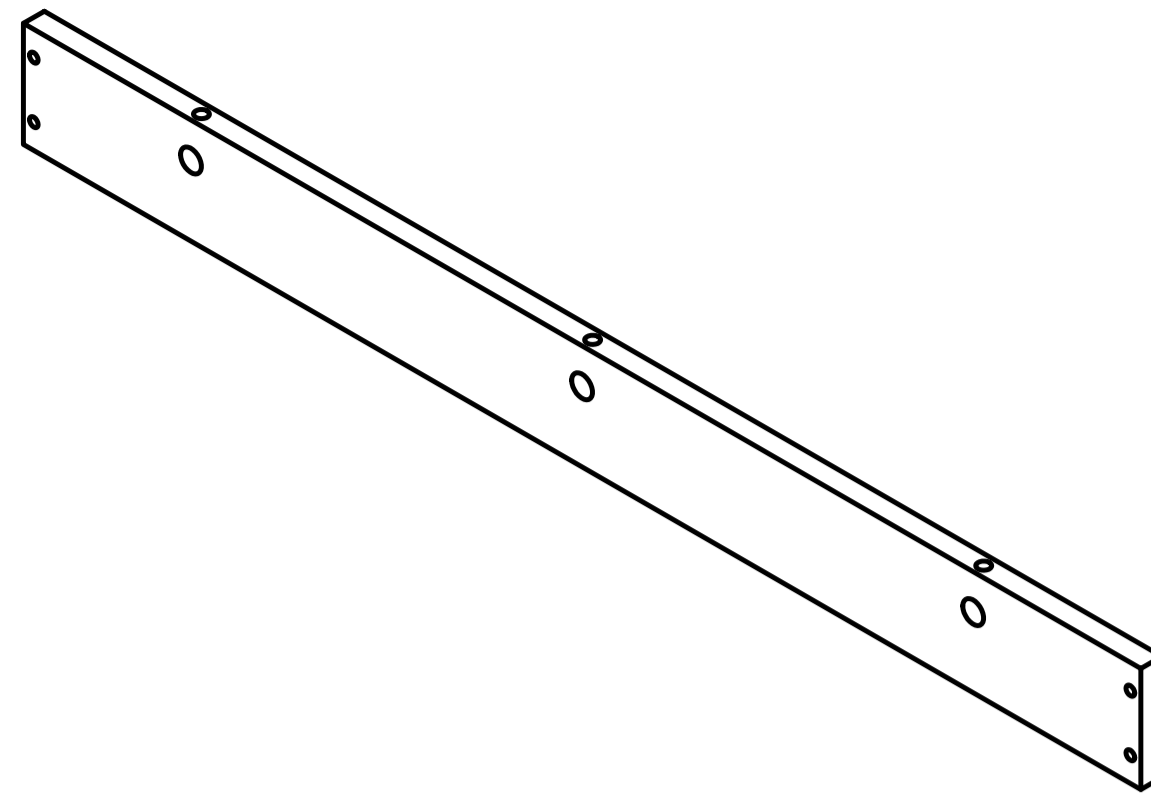


Product Installation Instructions

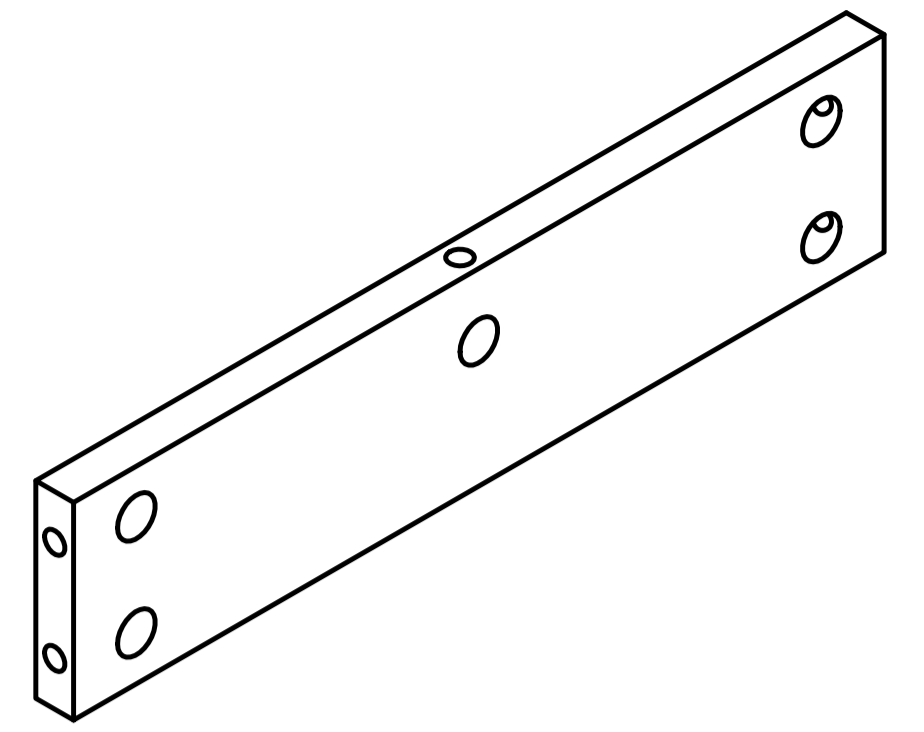




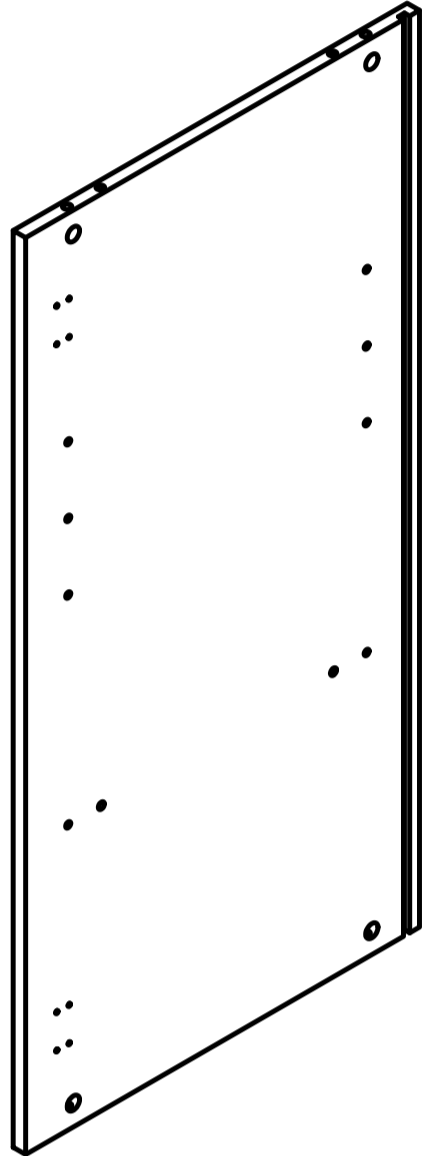
Ax1



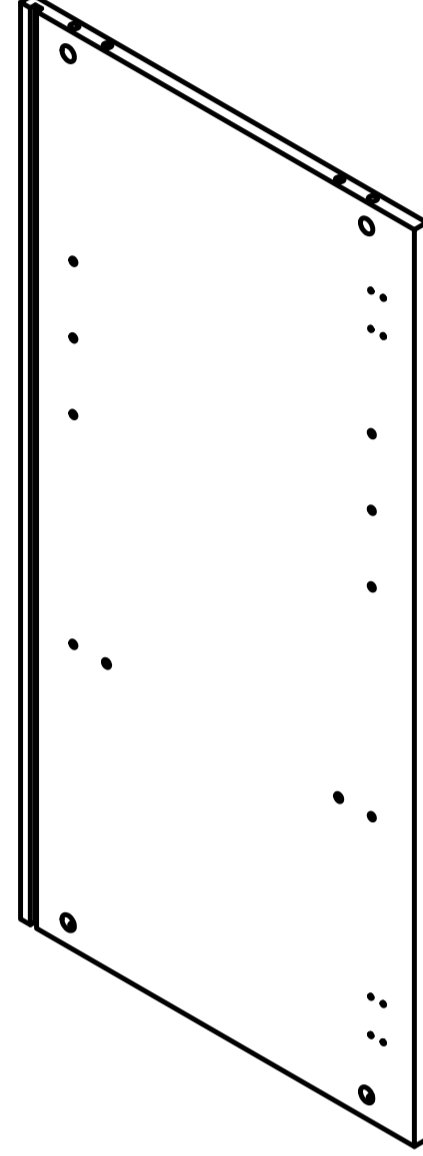
Bx2



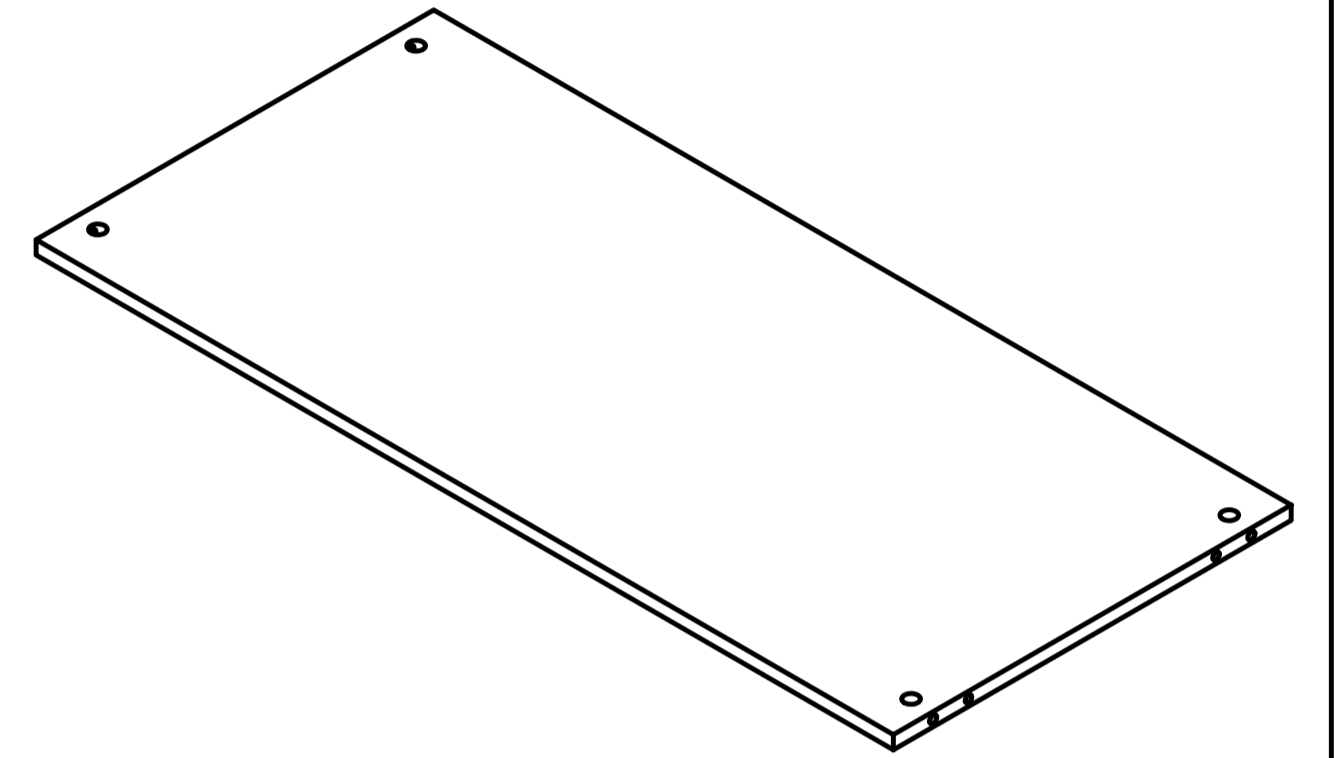
Cx2



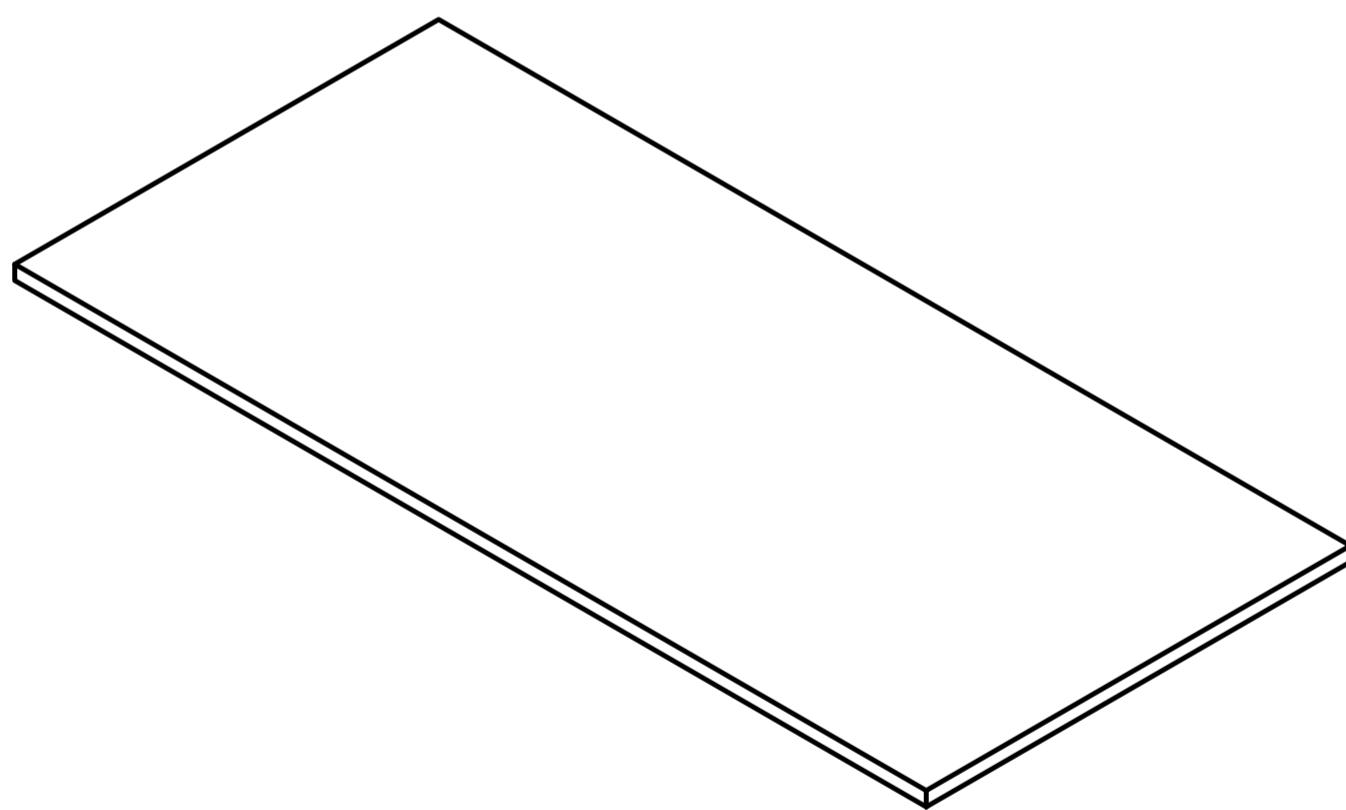
Dx1



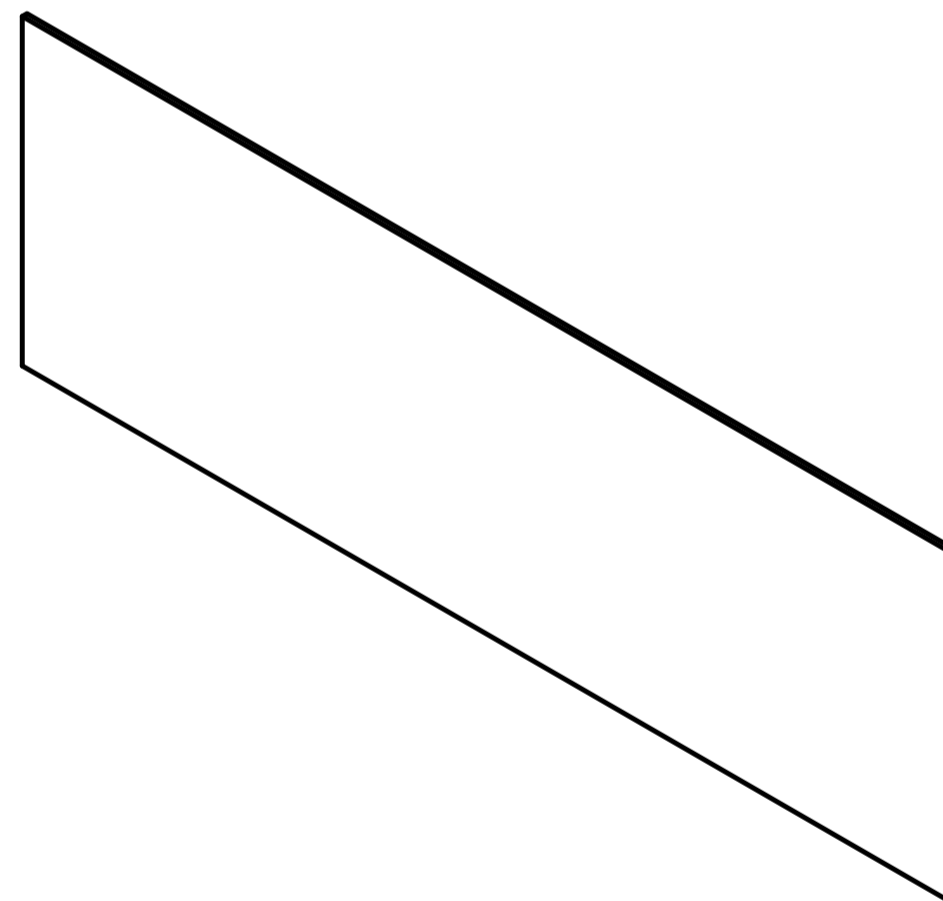
Ex1



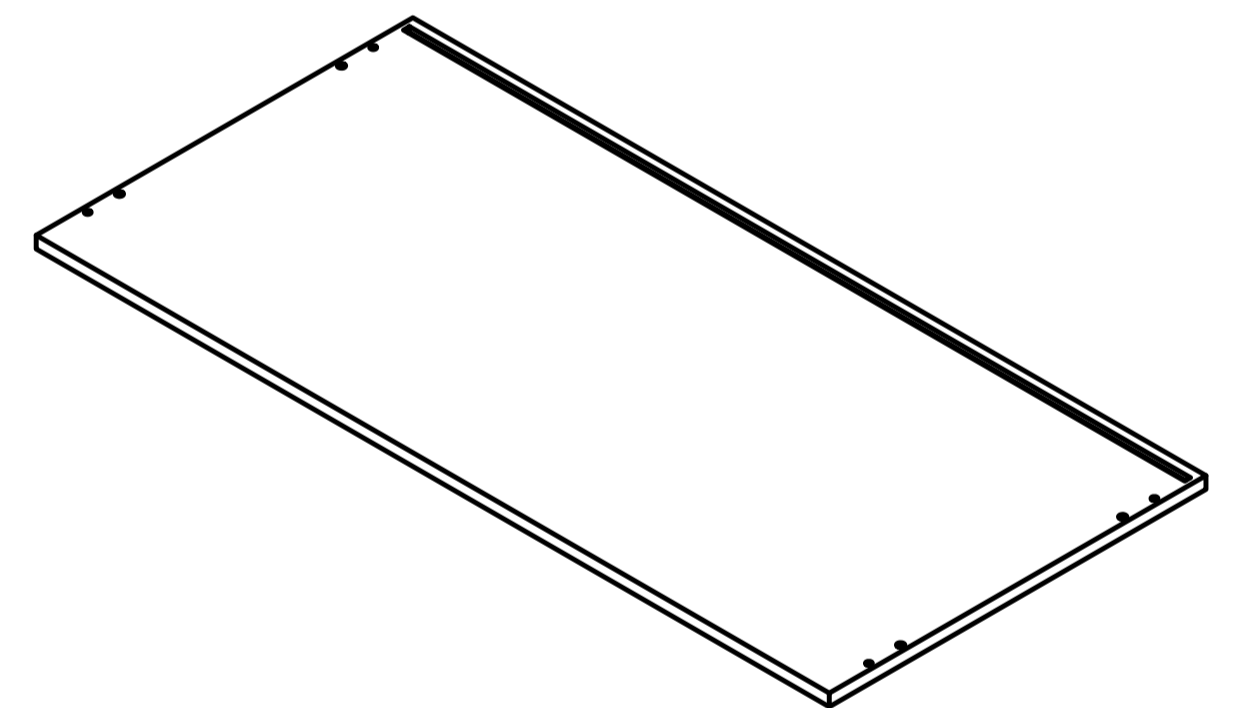
Fx1



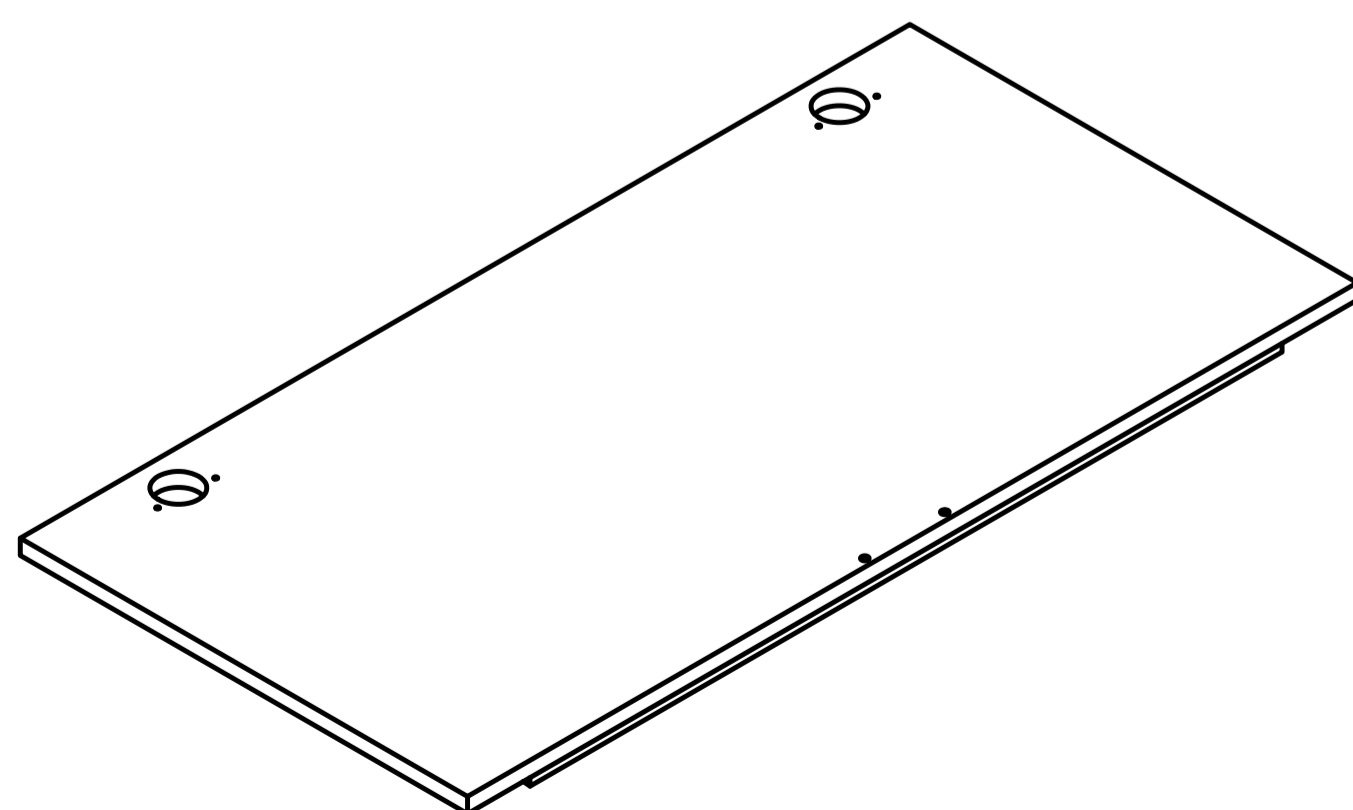
Gx1



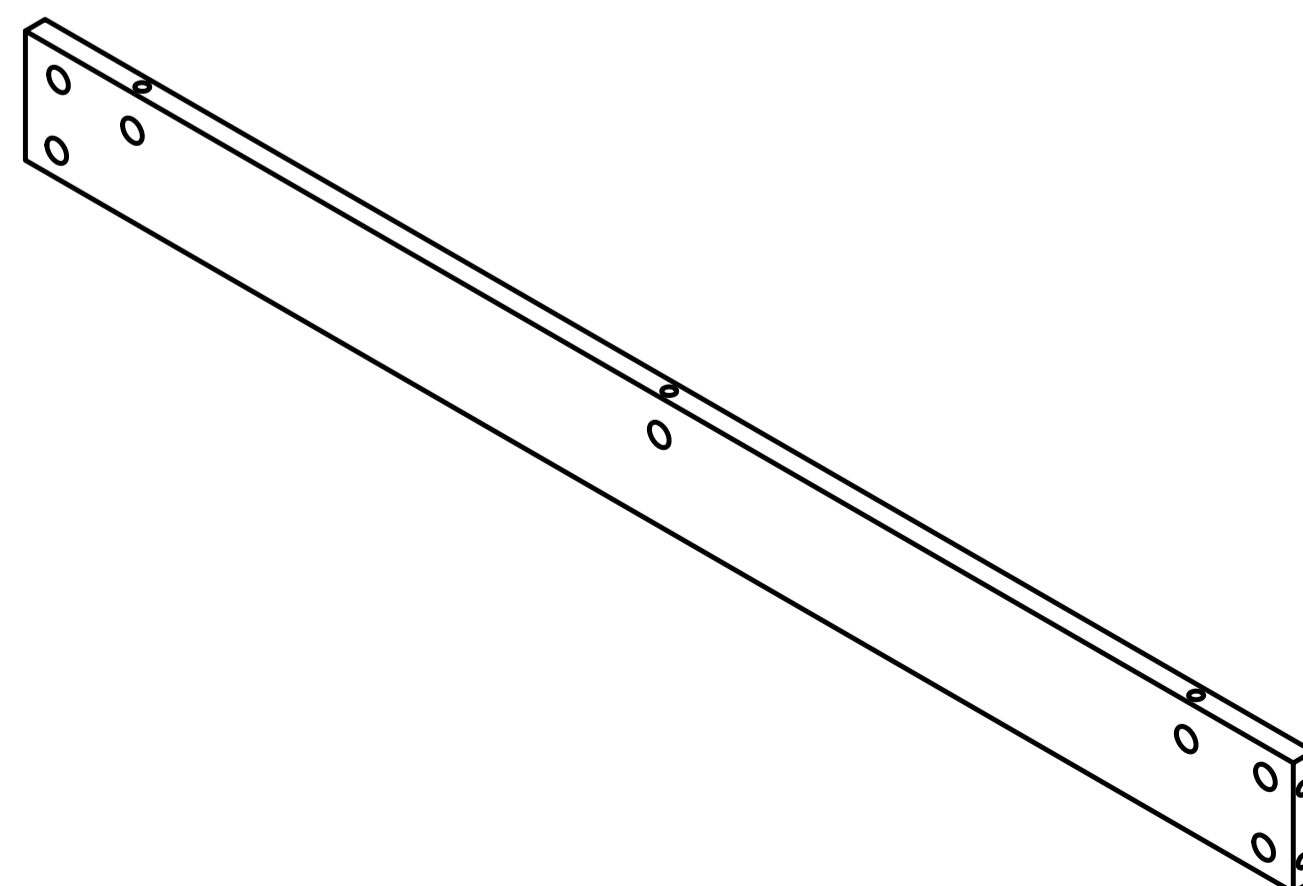
Hx3



Ix1

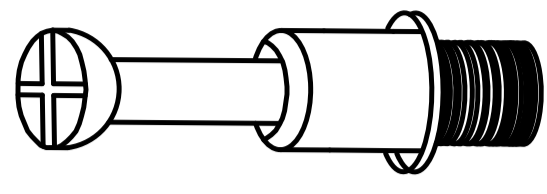
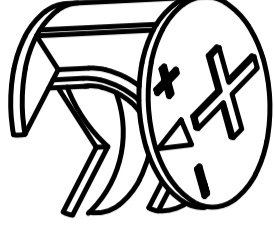


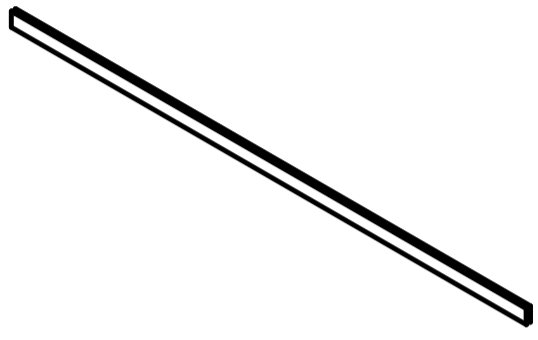
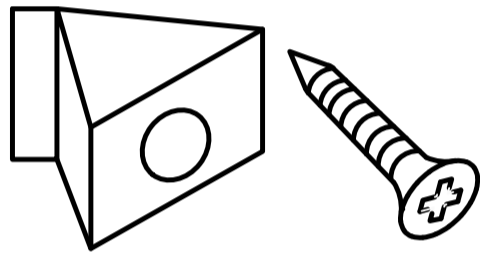
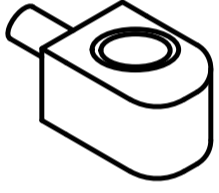
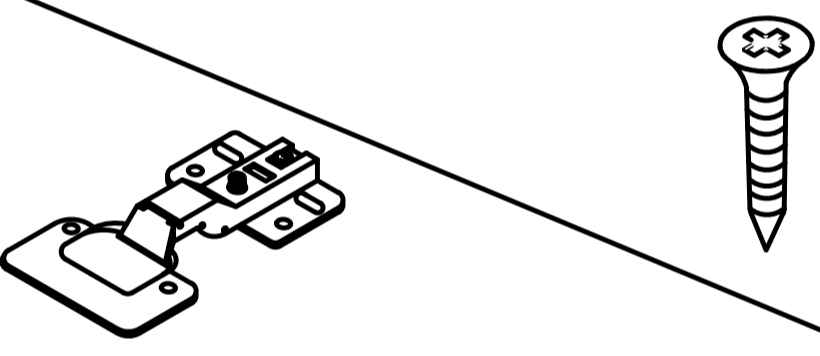
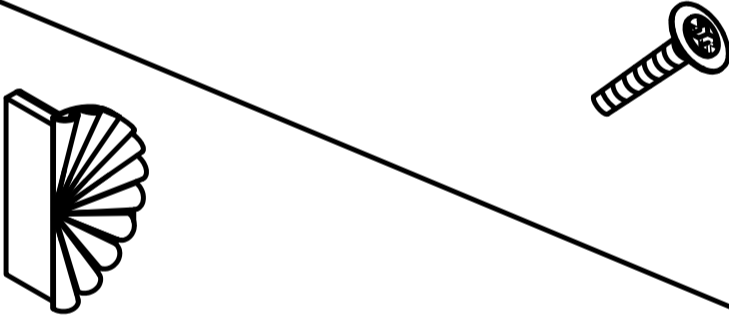


Jx2

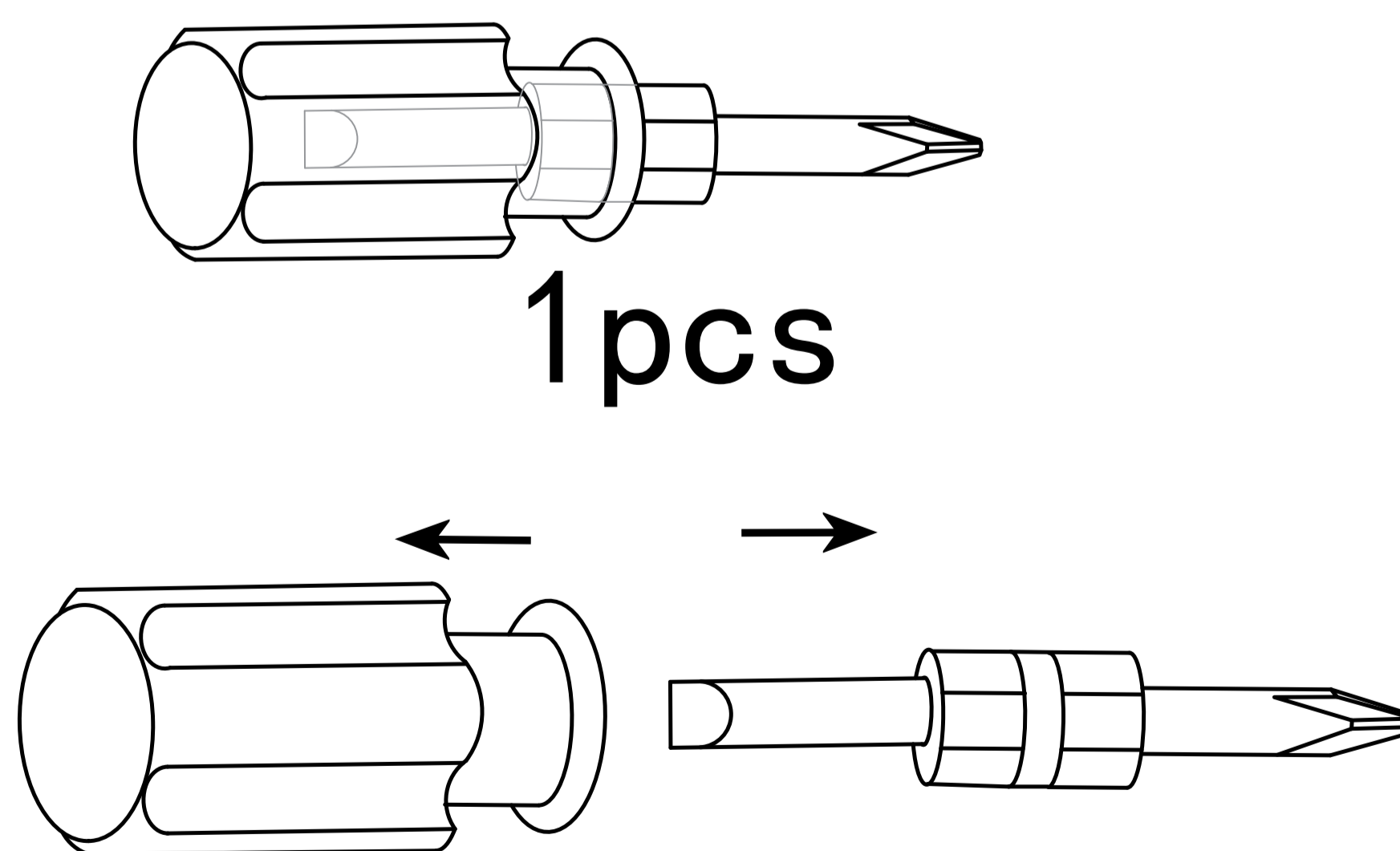


Kx2

Accessories list

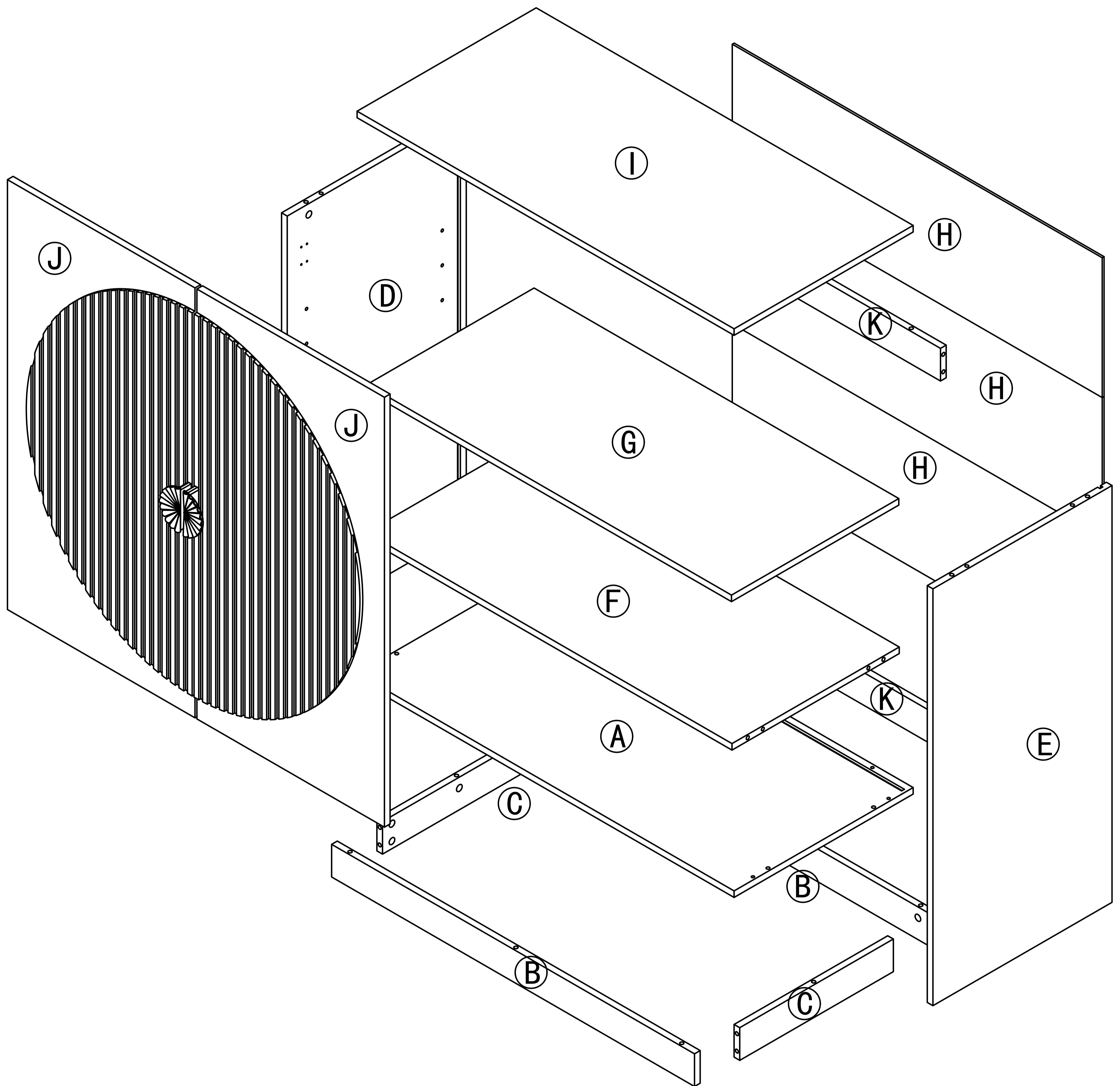
①		Two in one screw (6x28mm)	42pcs +4pcs
②		Two in one nut (10x12mm)	42pcs +4pcs
③		Wood chipping (6x30mm)	12pcs +2pcs
④		Non-slip pads	6pcs
⑤		Backboard card strip (774mm)	2pcs
⑥		Fixing clip & screw (3x16mm)	6pcs +1pcs
⑦		Laminate Support Nail	4pcs +1pcs
⑧		Hinge & Screw (3.5x12mm)	24pcs +4pcs 4pcs
⑨		Handle & Screw (4x22mm)	4pcs +1pcs 2pcs

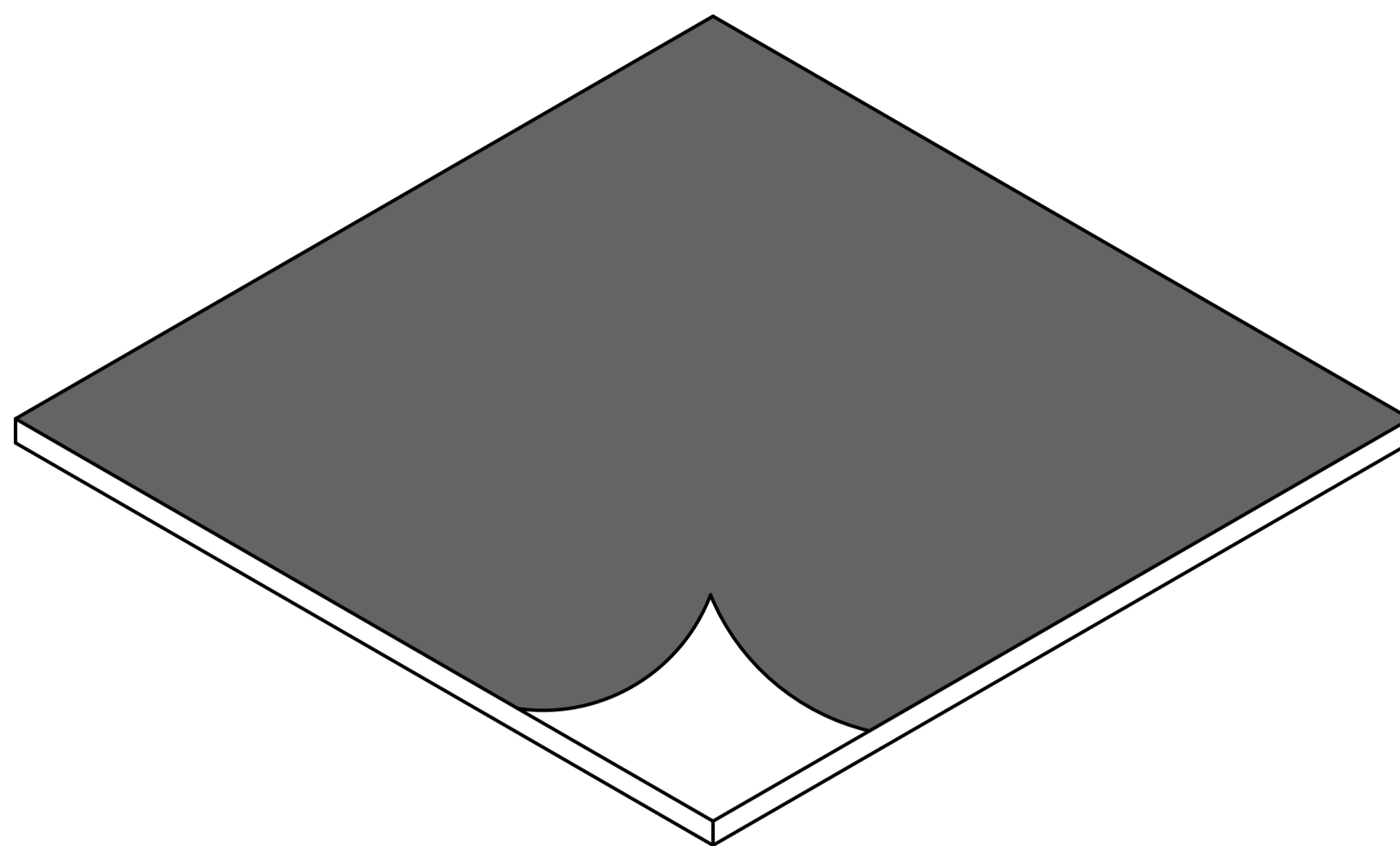
Double-head screwdriver, use as required



1 pcs

Product structure decomposition





The plates used in this product are bright plates,

With a transparent protective film

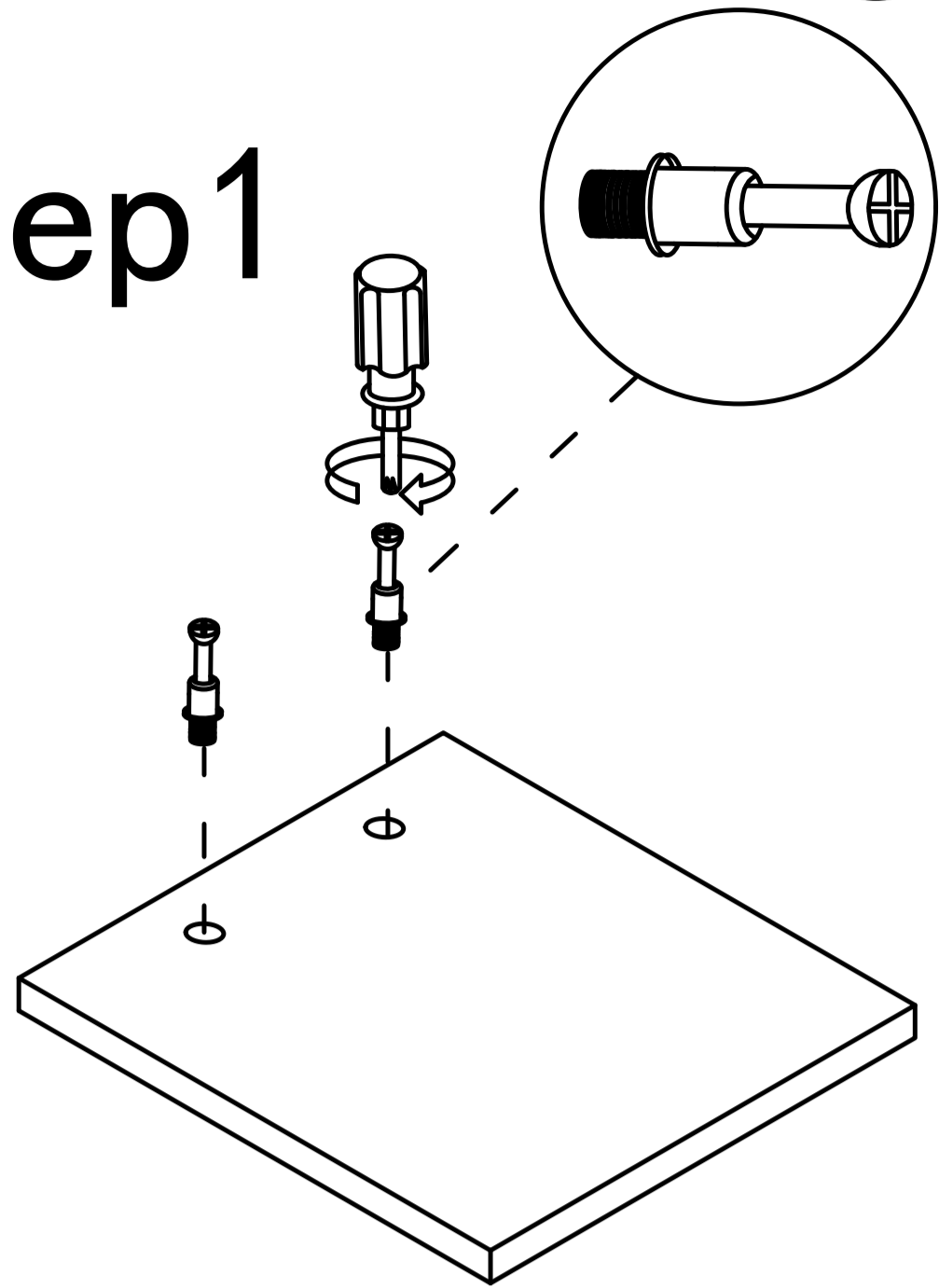
The function of the protective film is prevent the product from
being scratched during transportation

Please remove the protective film before installing the product,

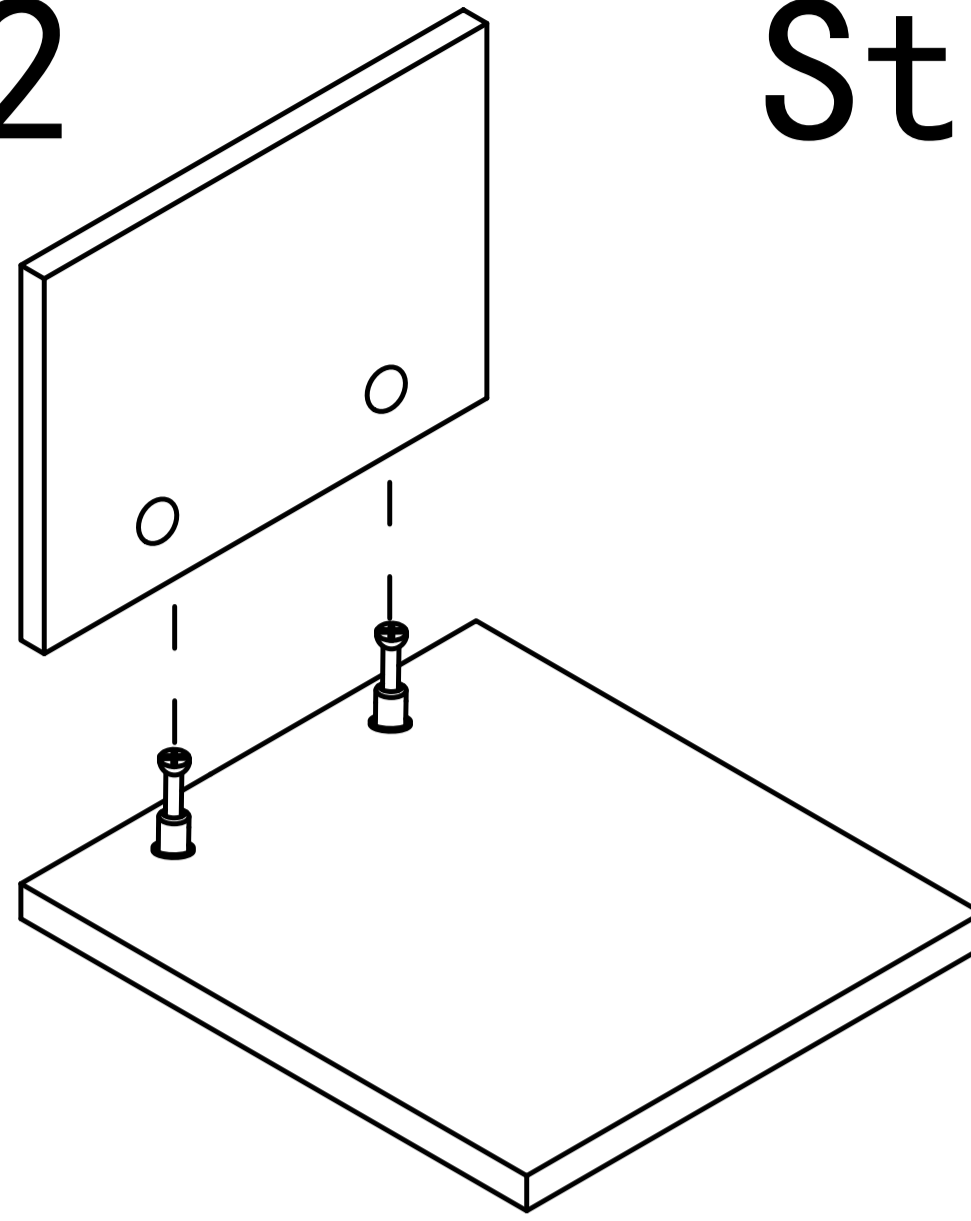
Avoid difficult removal of the protective film after installation

Use parts ① and ②

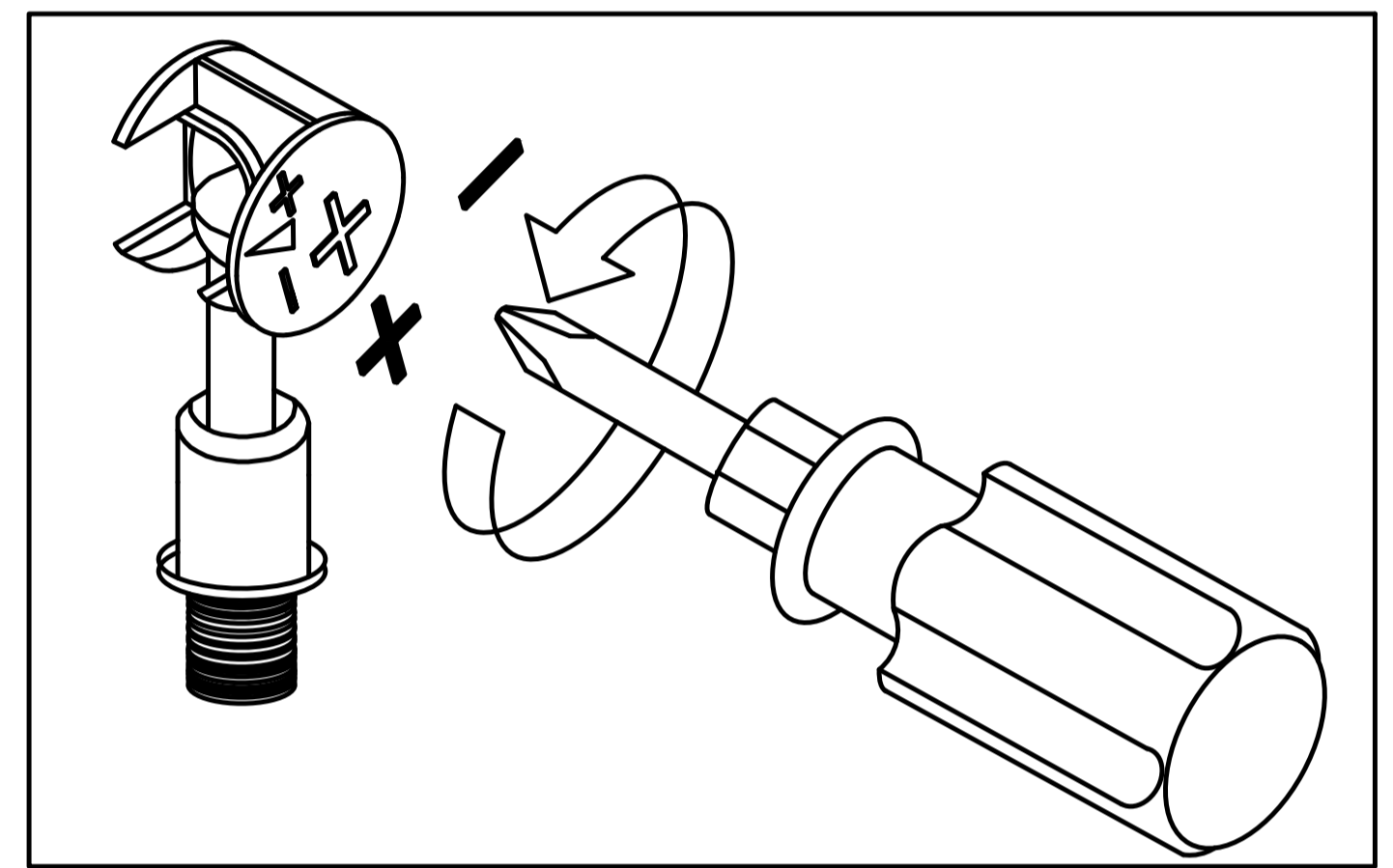
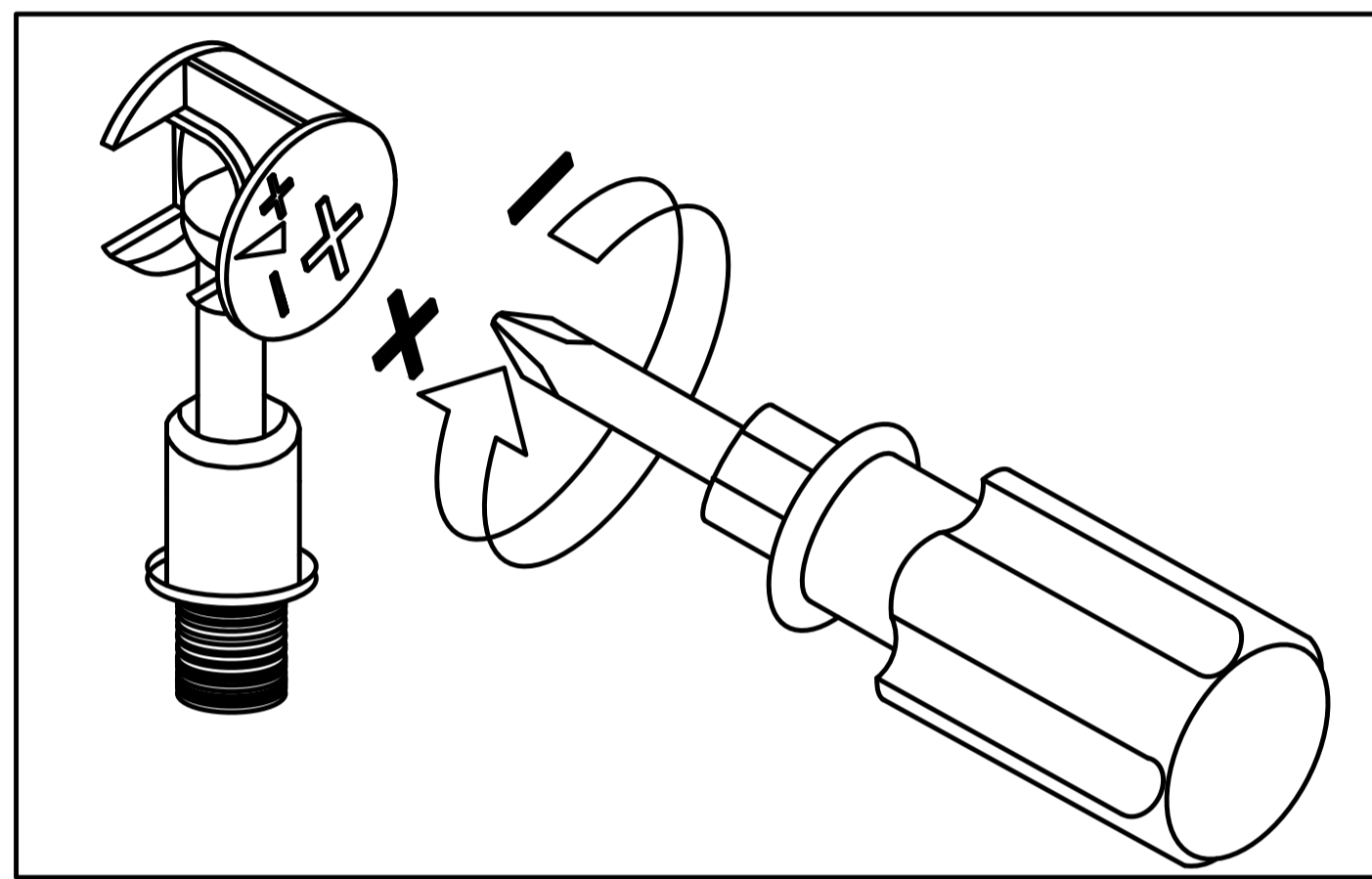
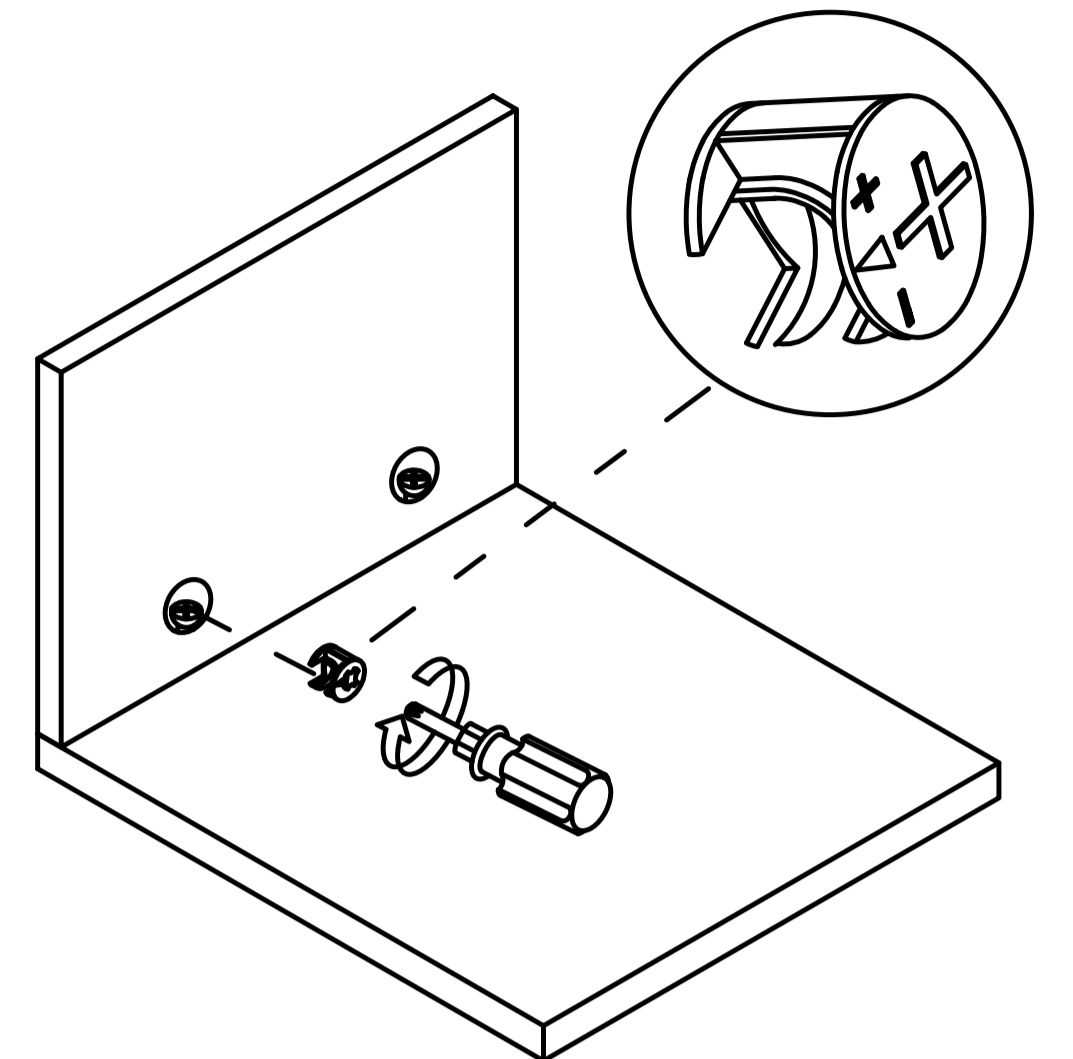
Step 1



Step 2



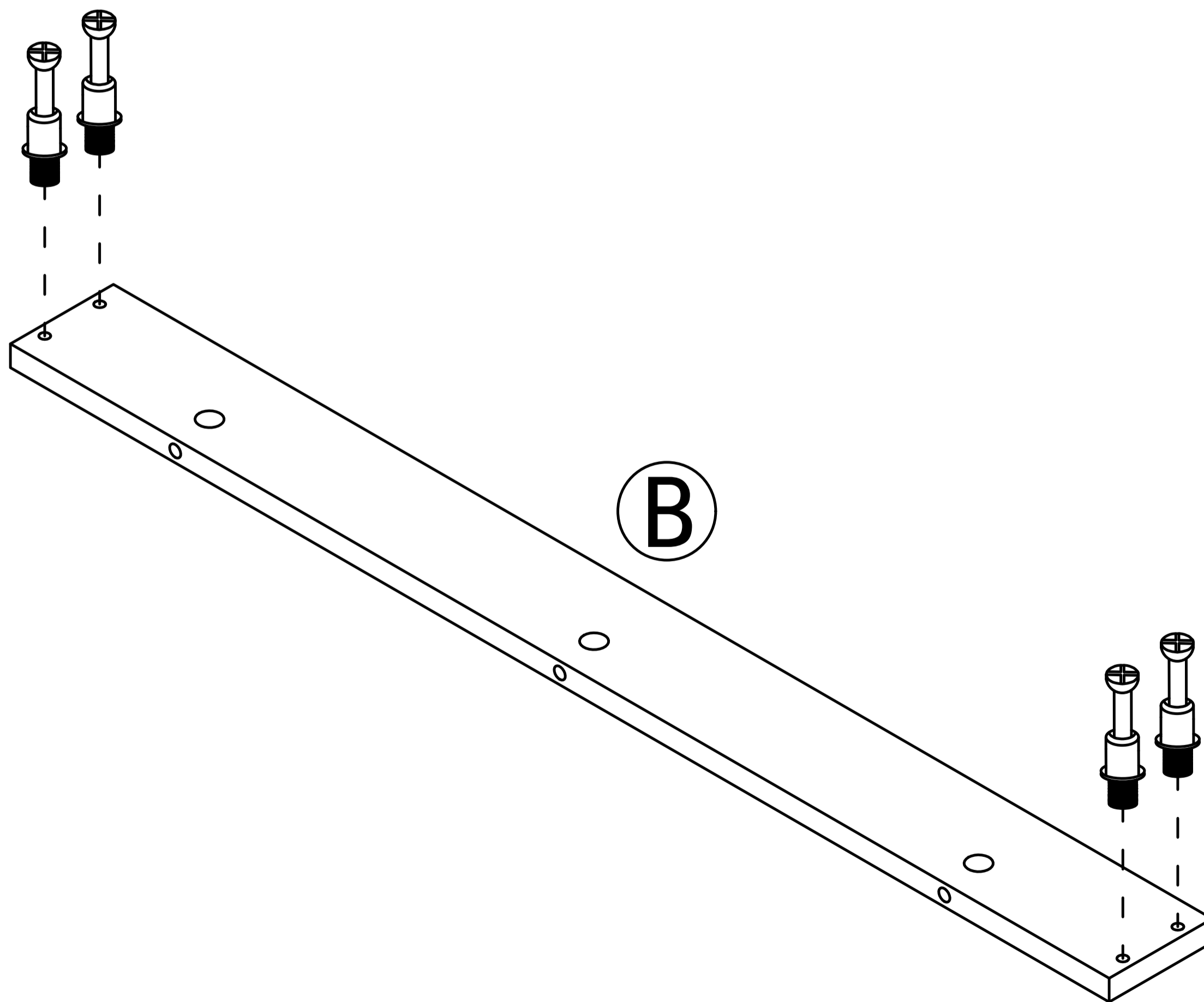
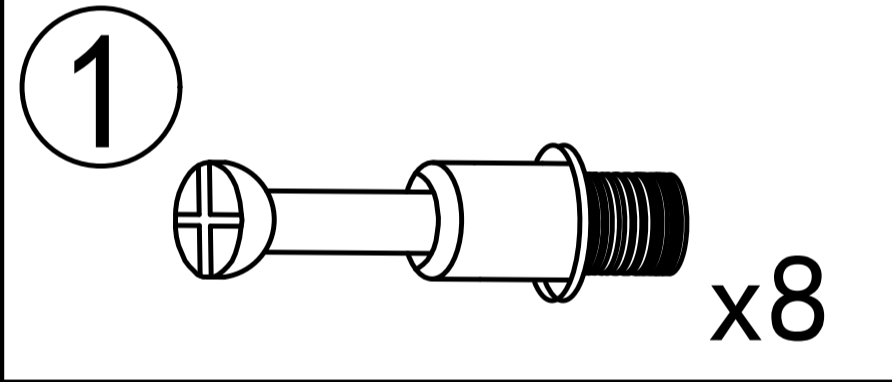
Step 3



Use a screwdriver to lock in the direction of the "+" sign

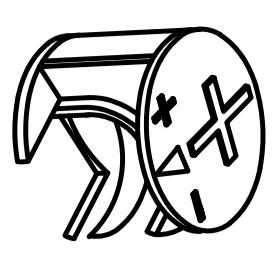
Disassemble along the direction of "-" sign

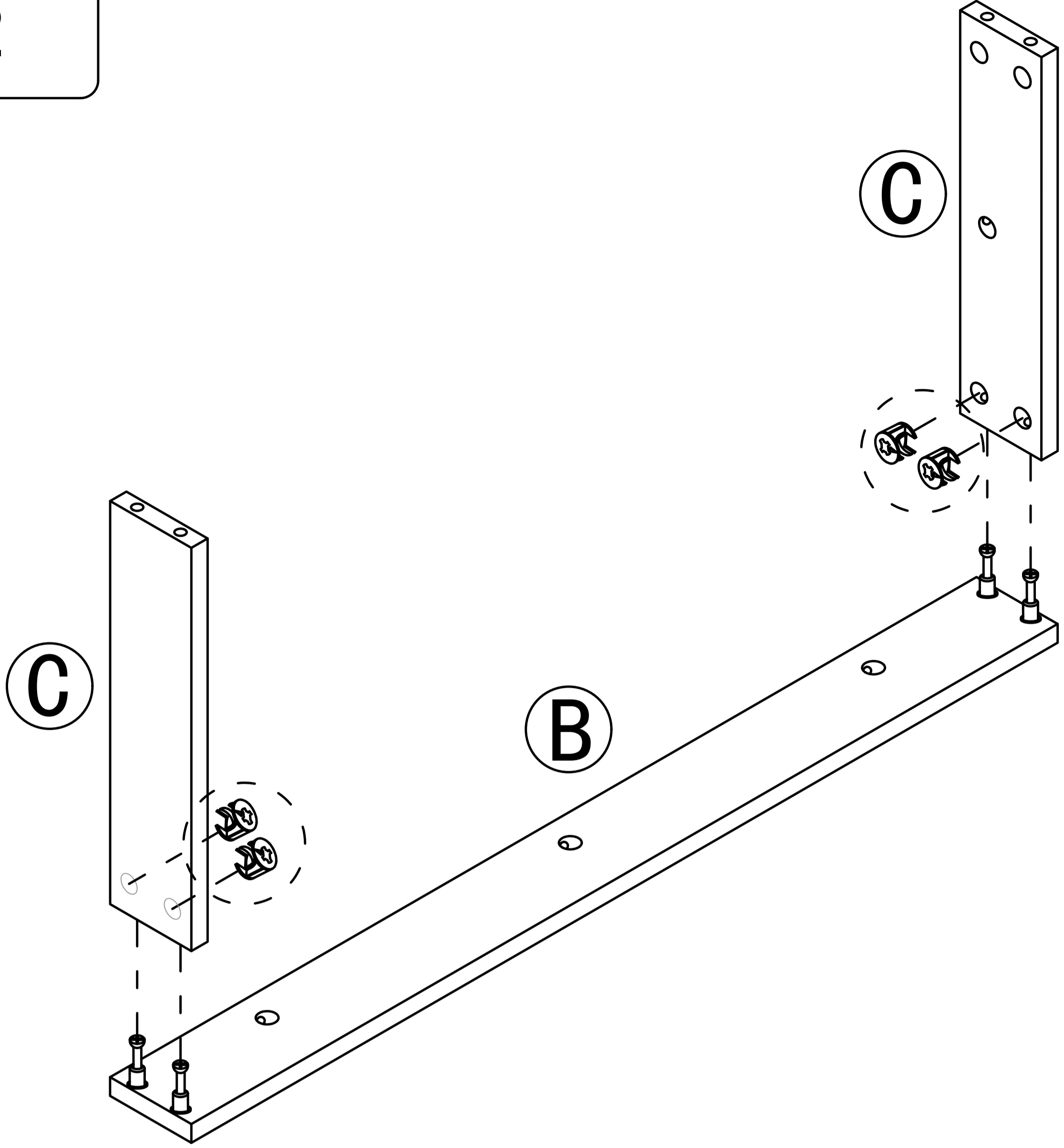
Step 1



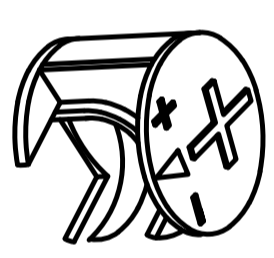
ⓑ x2

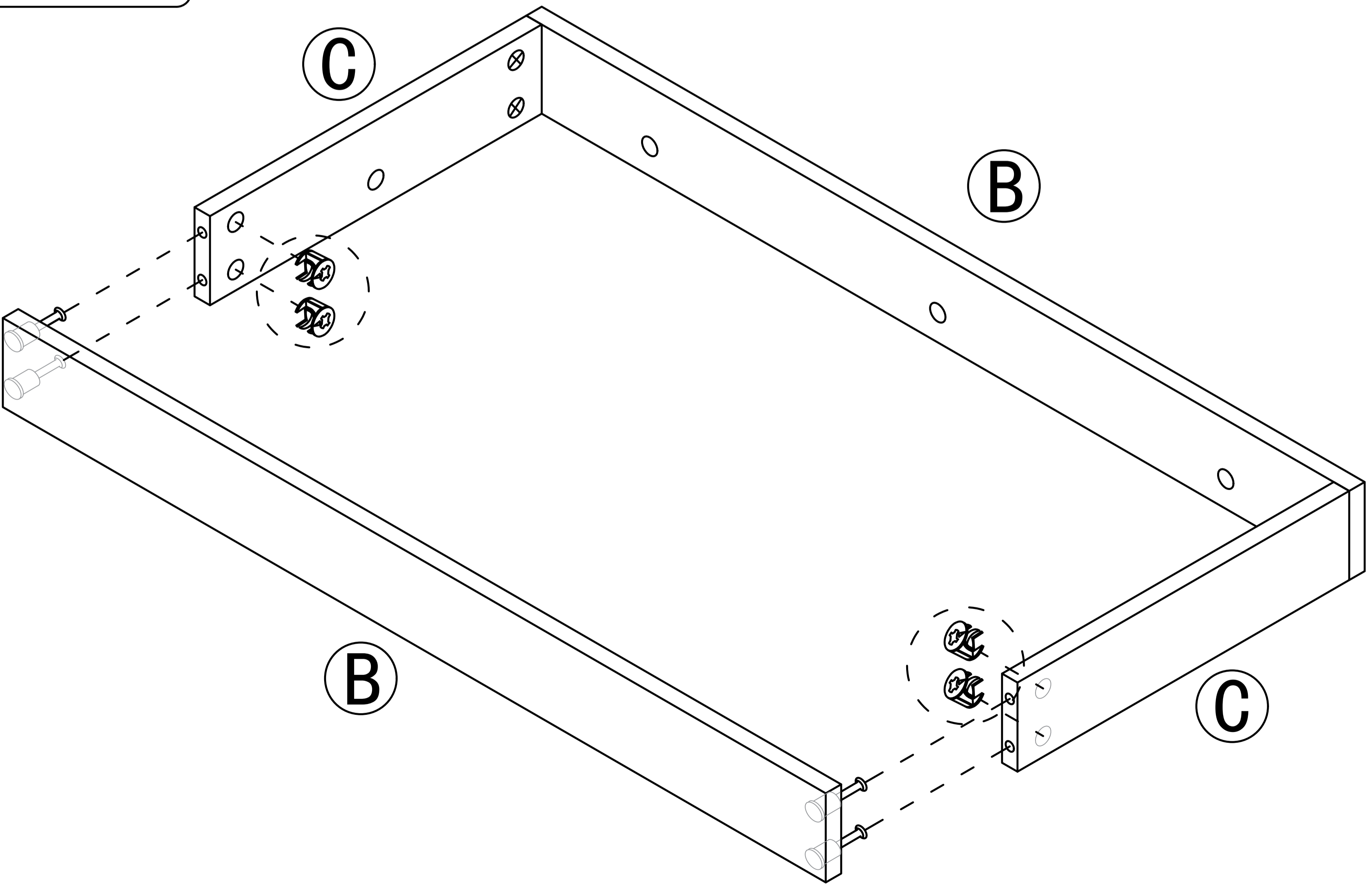
Step 2

②  x4

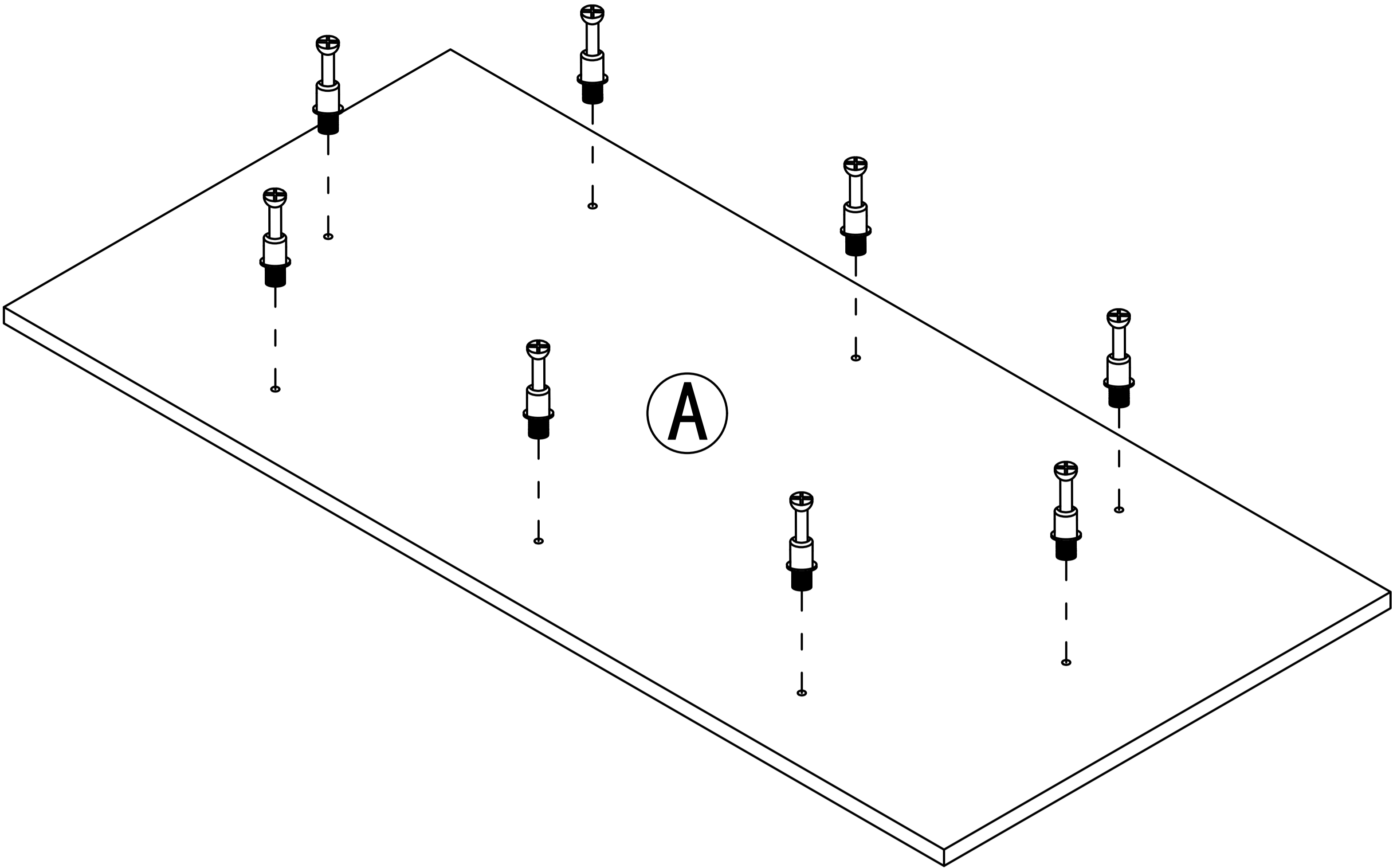
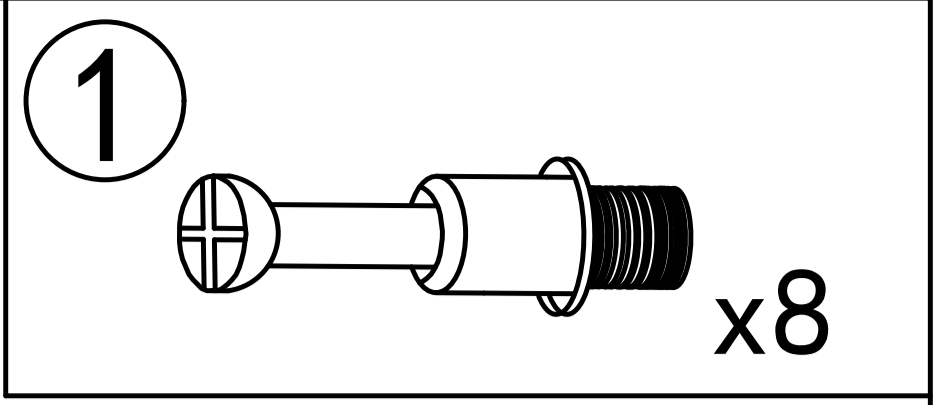


Step 3

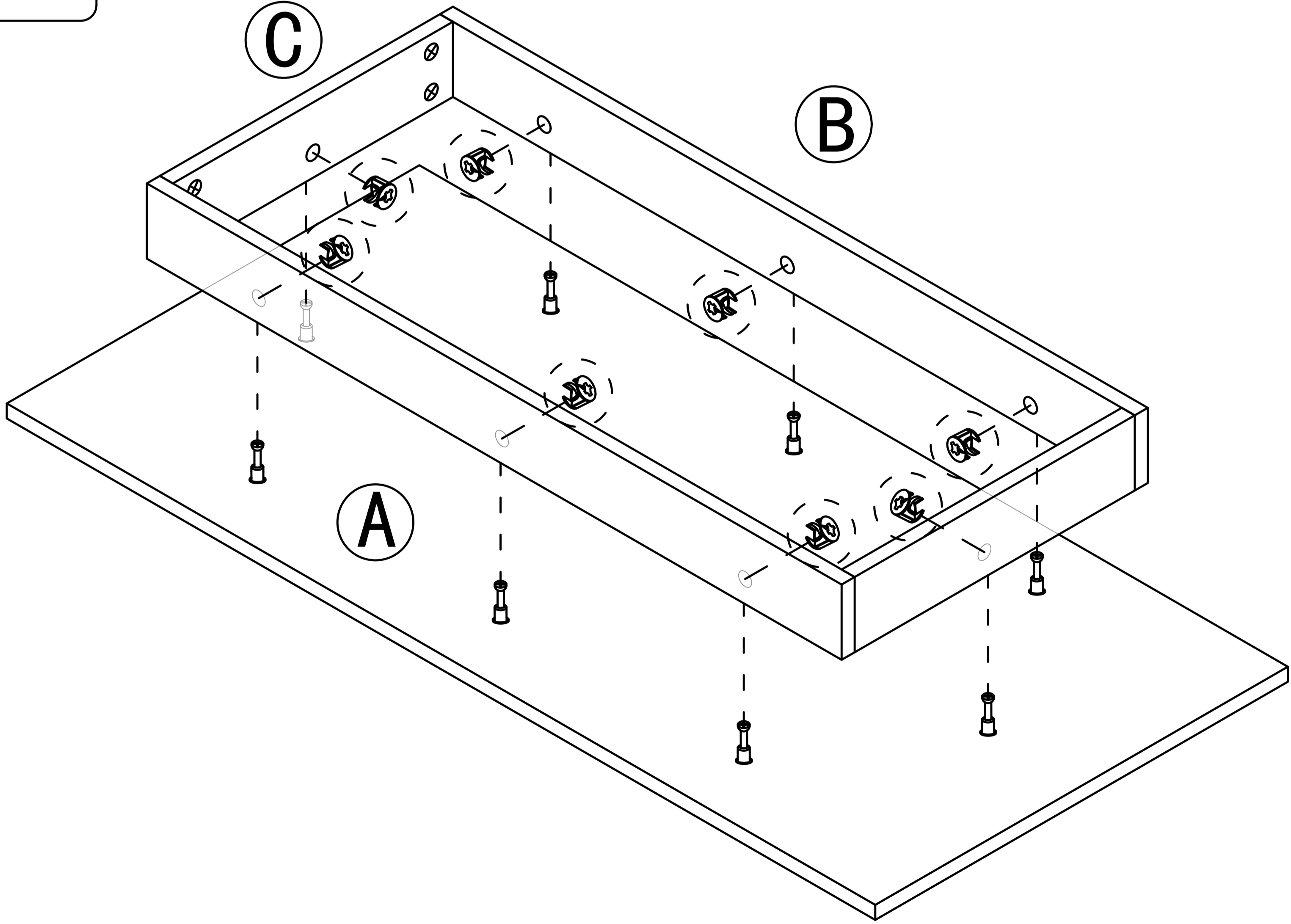
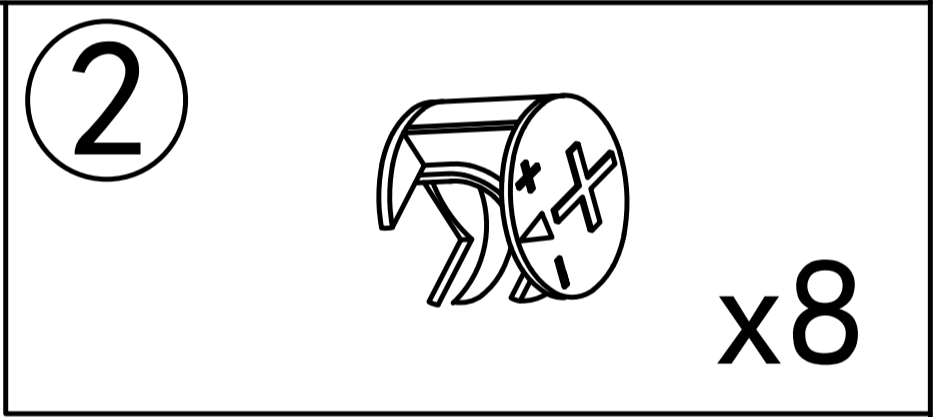
②  x4



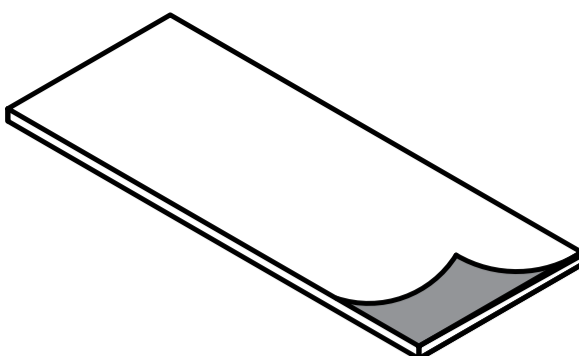
Step 4

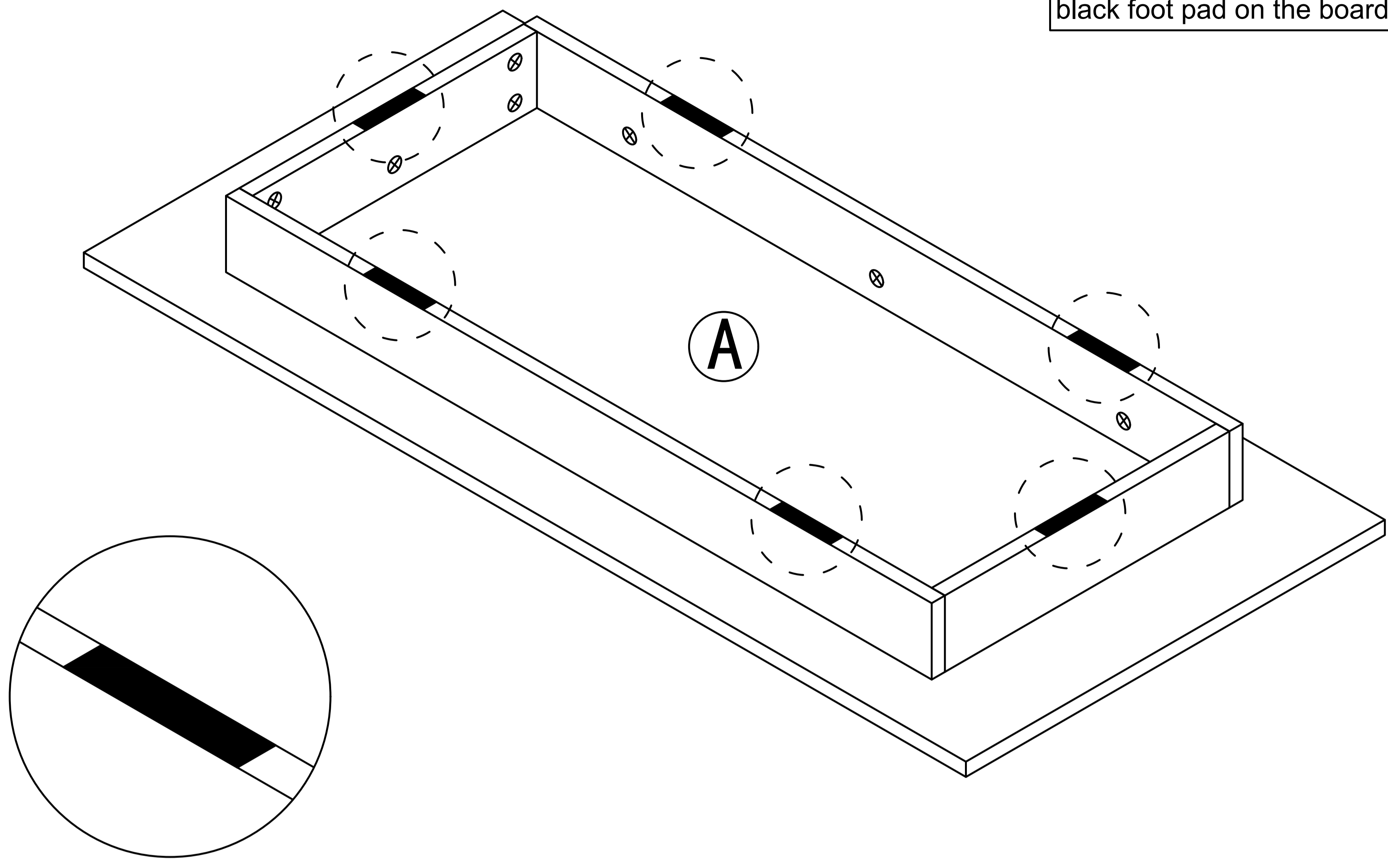


Step 5

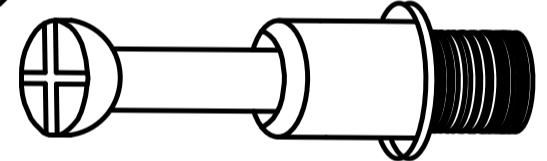



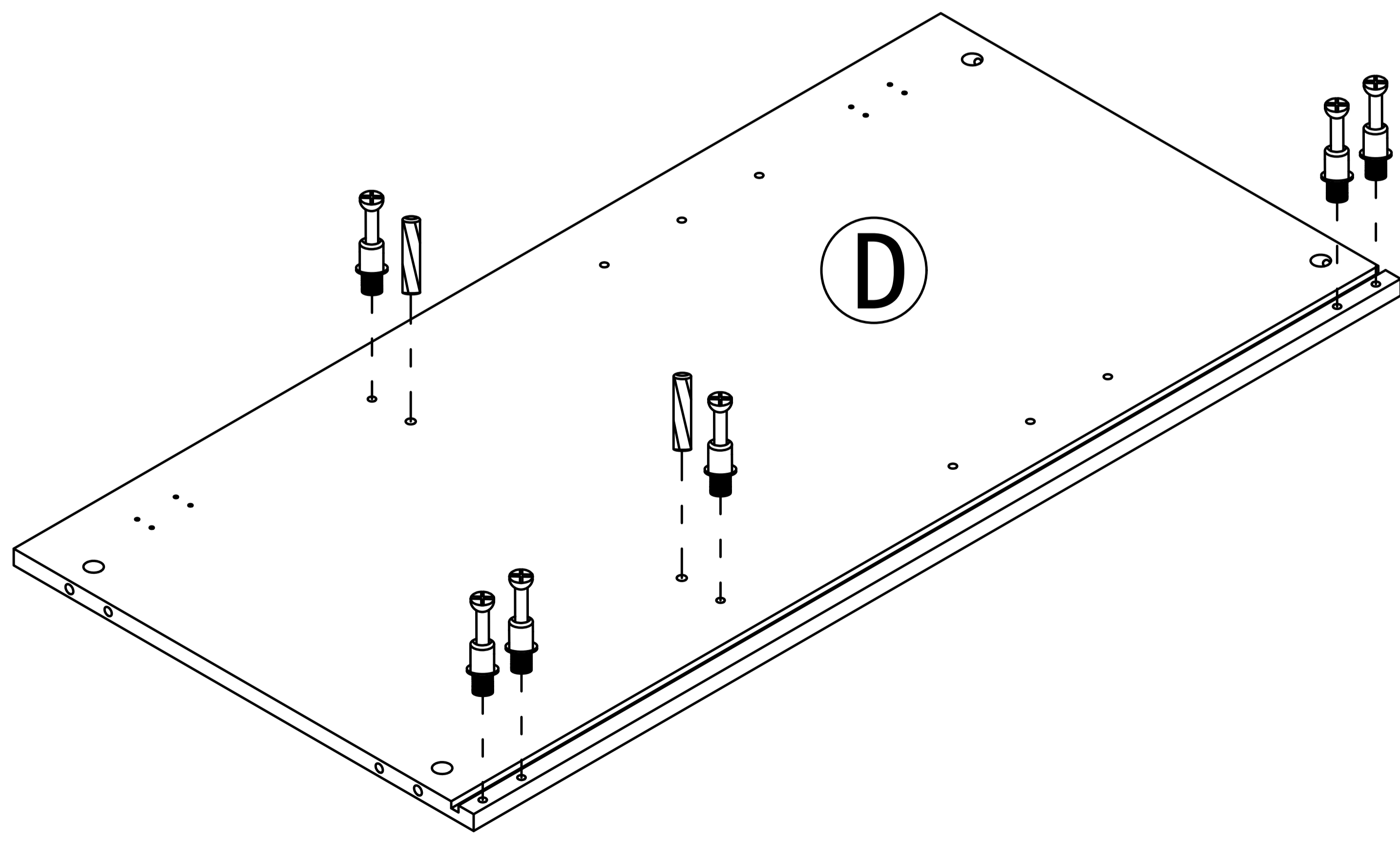
Step 6

4  x6
Tear off release paper and stick the black foot pad on the board

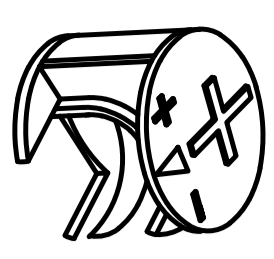


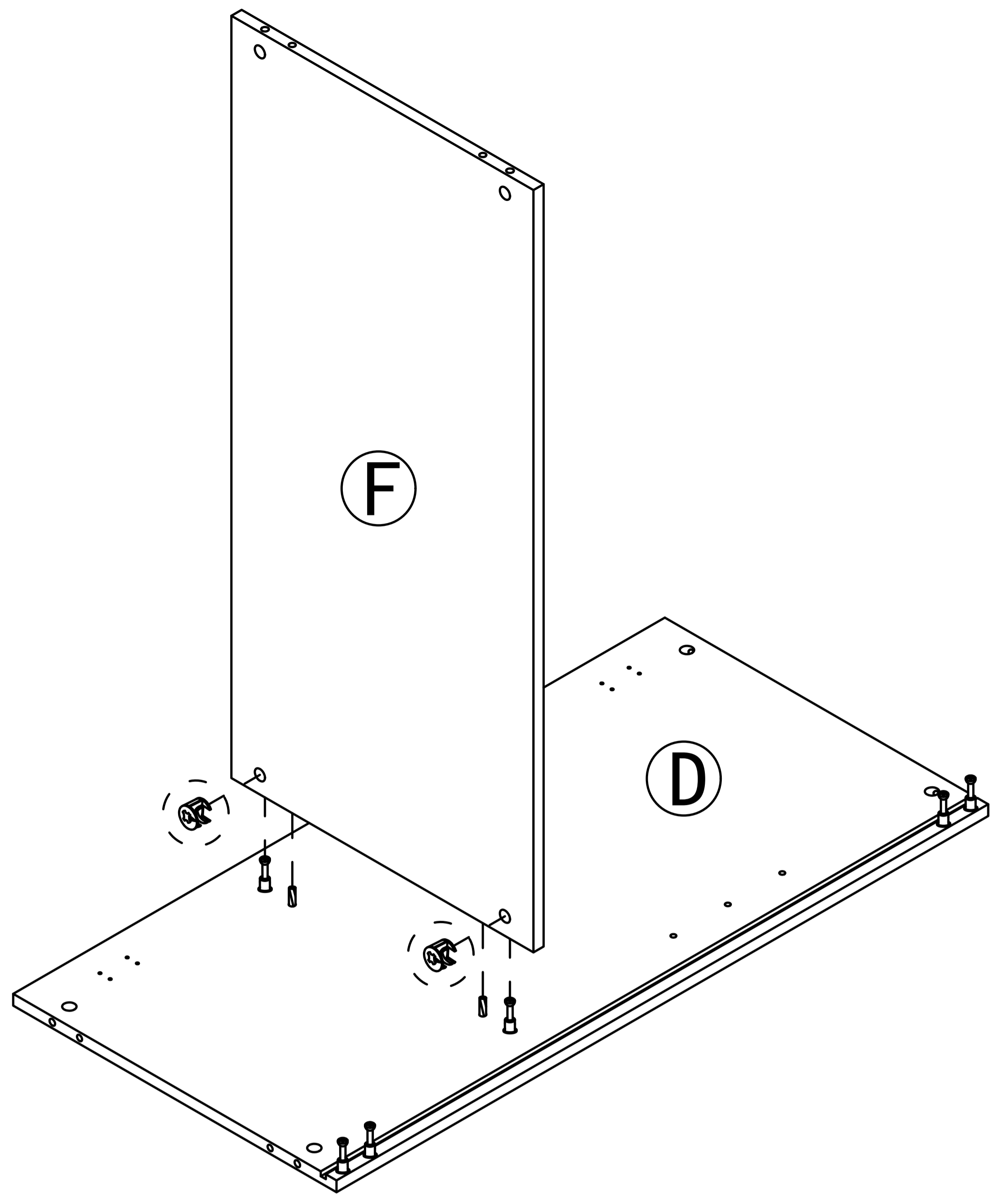
Step 7

1  x6
3  x2

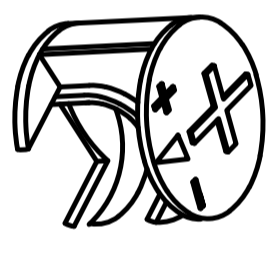



Step 8

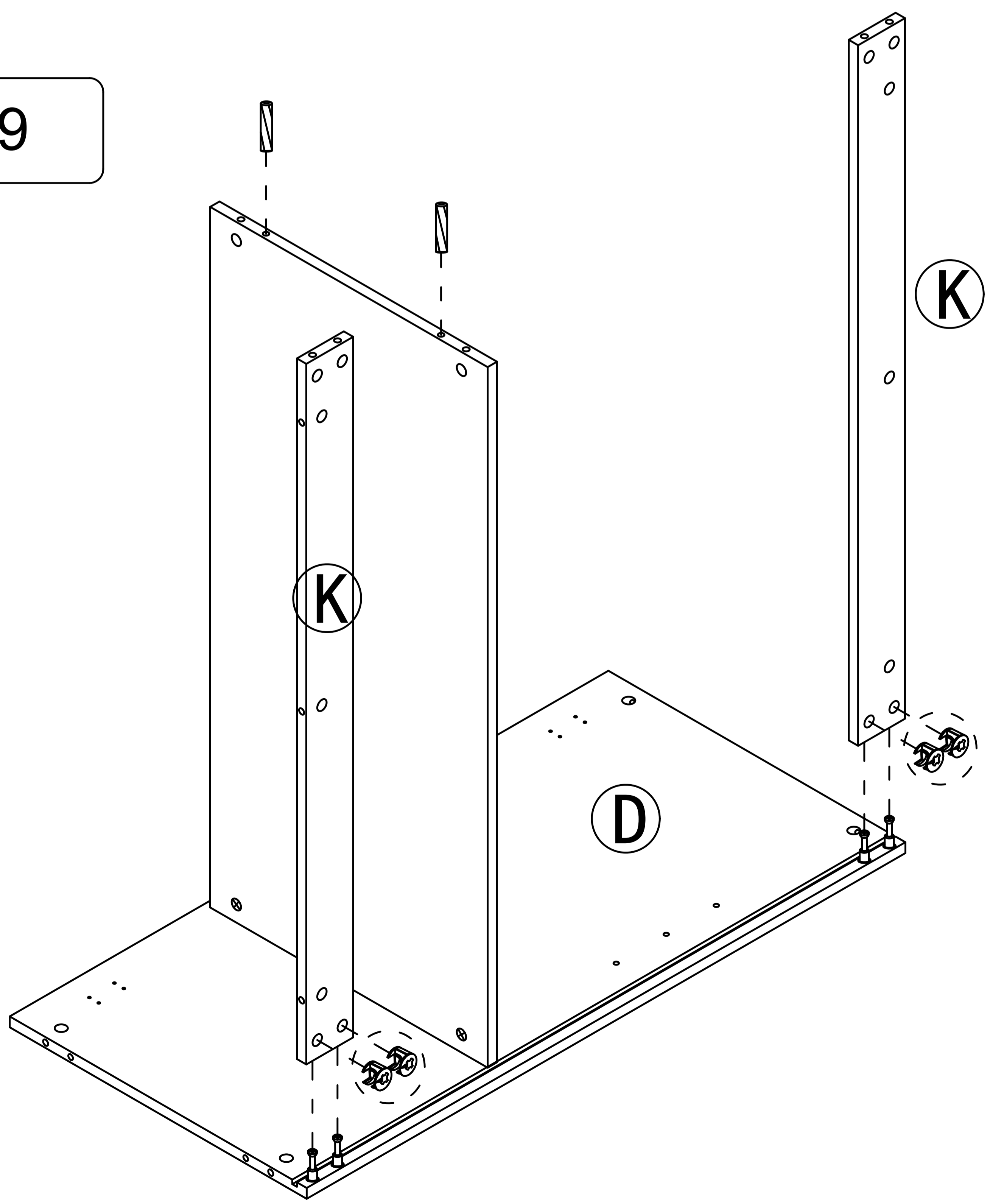
②  x2



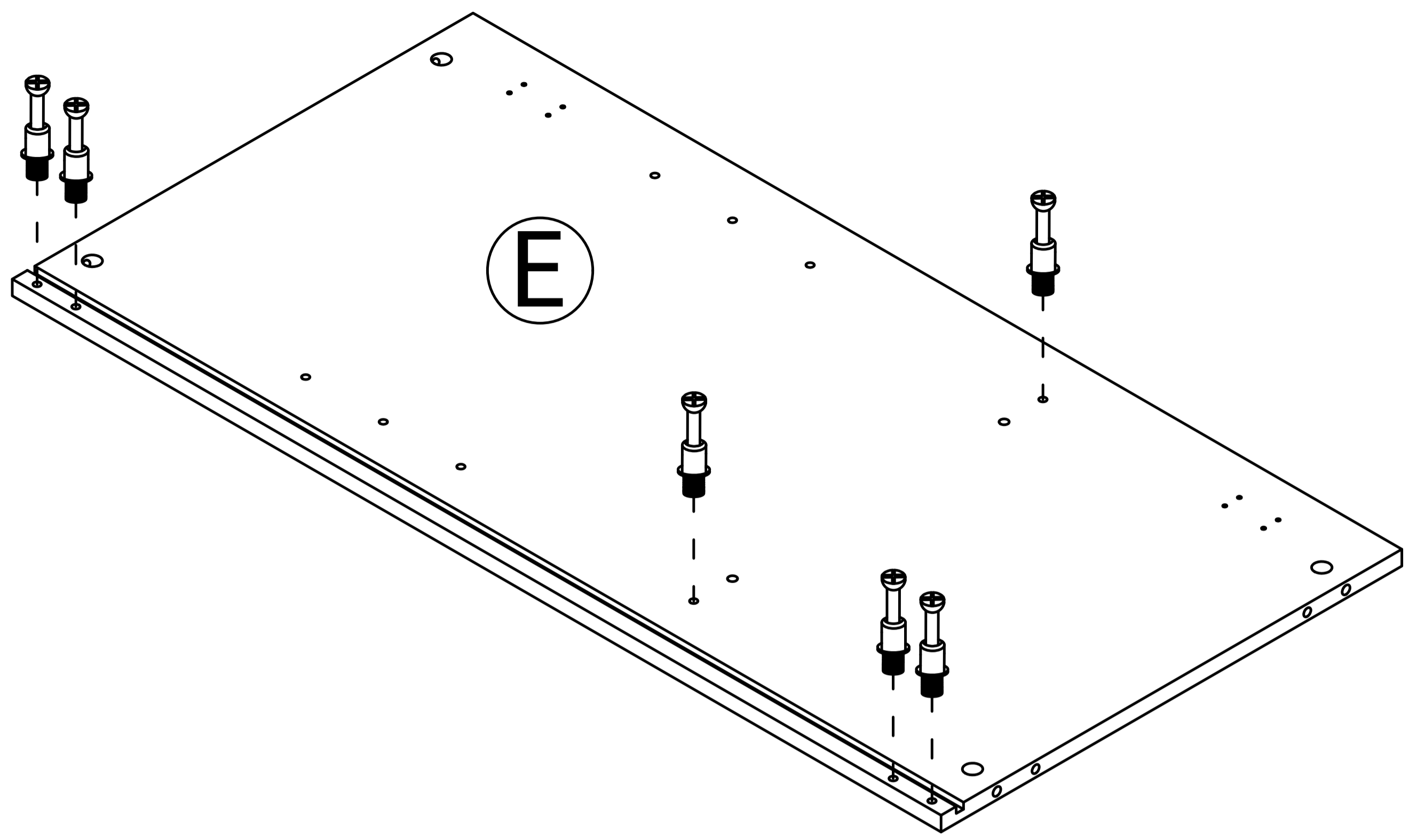
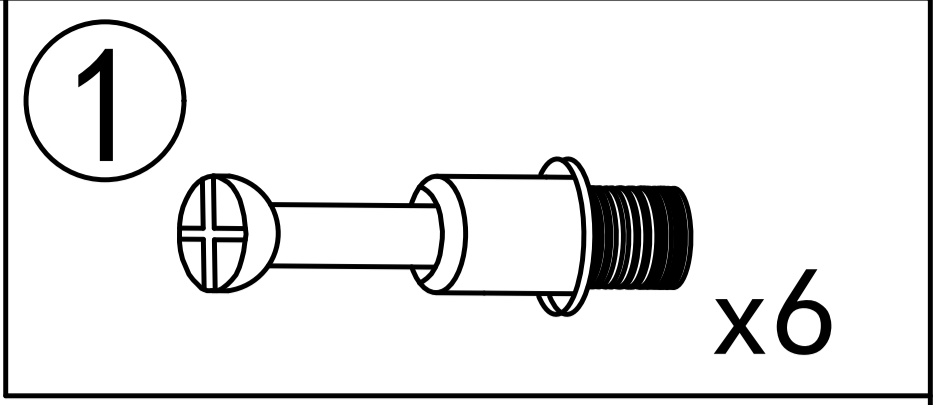
Step 9

②  x4

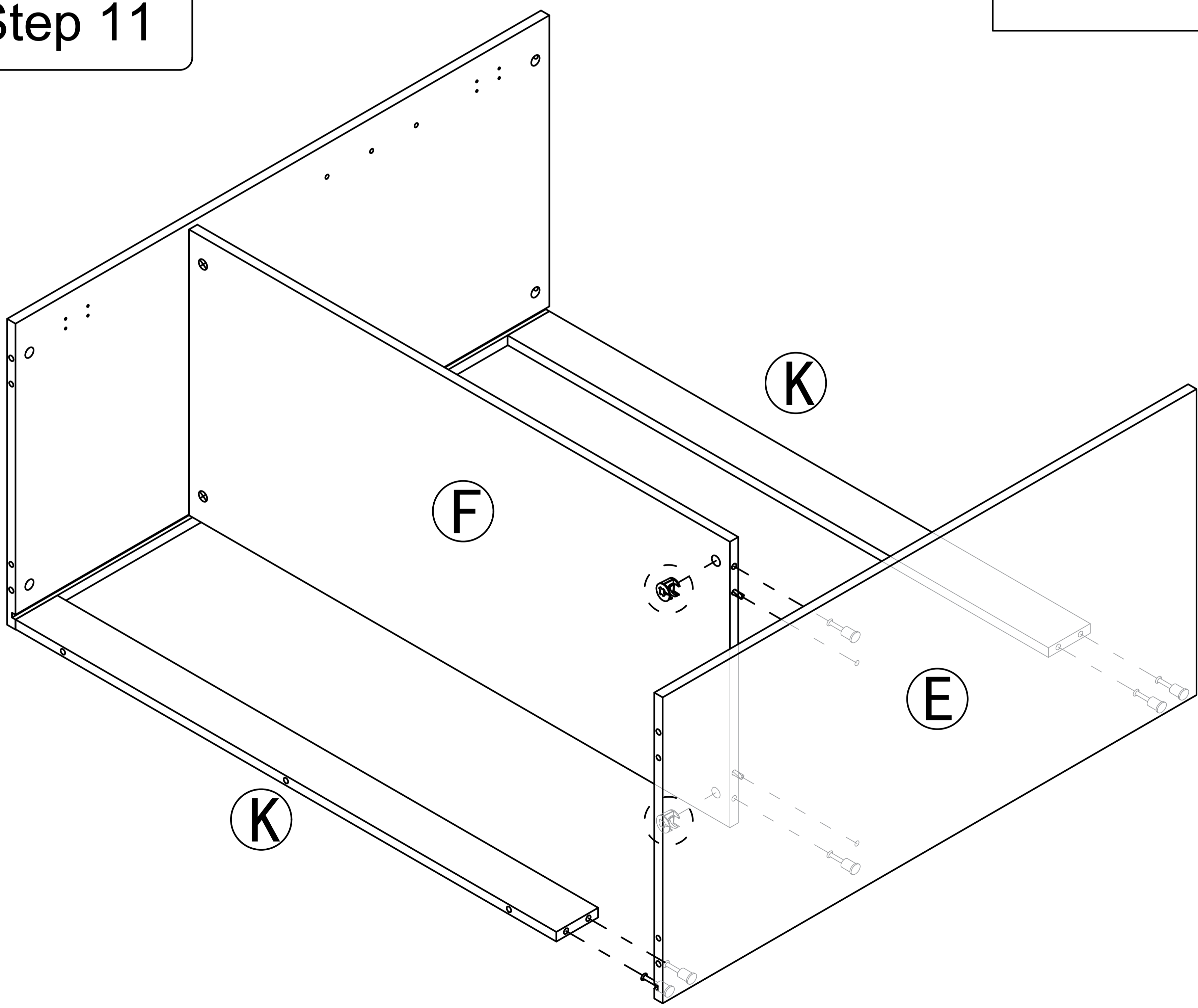
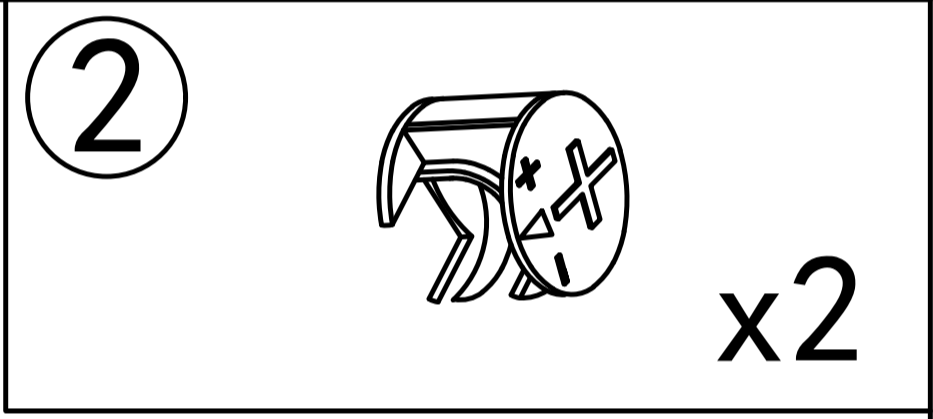
③  x2



Step 10

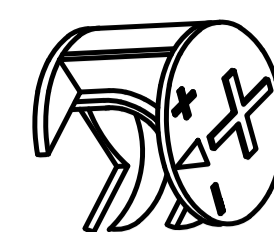


Step 11

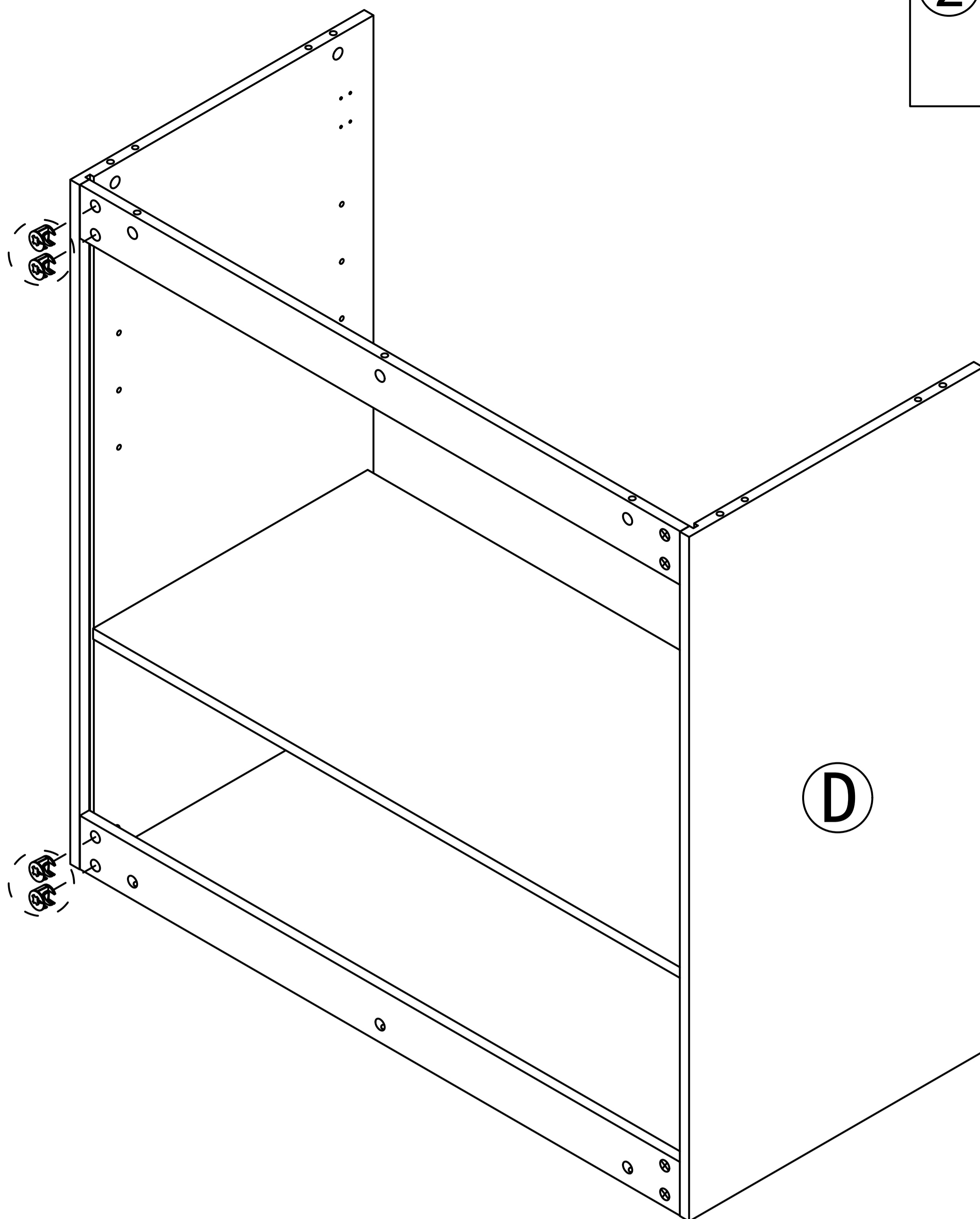


Step 12

2

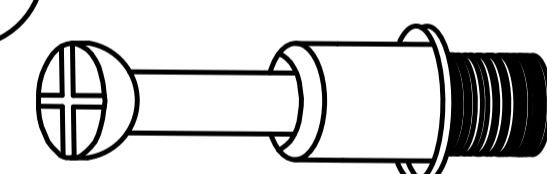


x4



Step 13

1

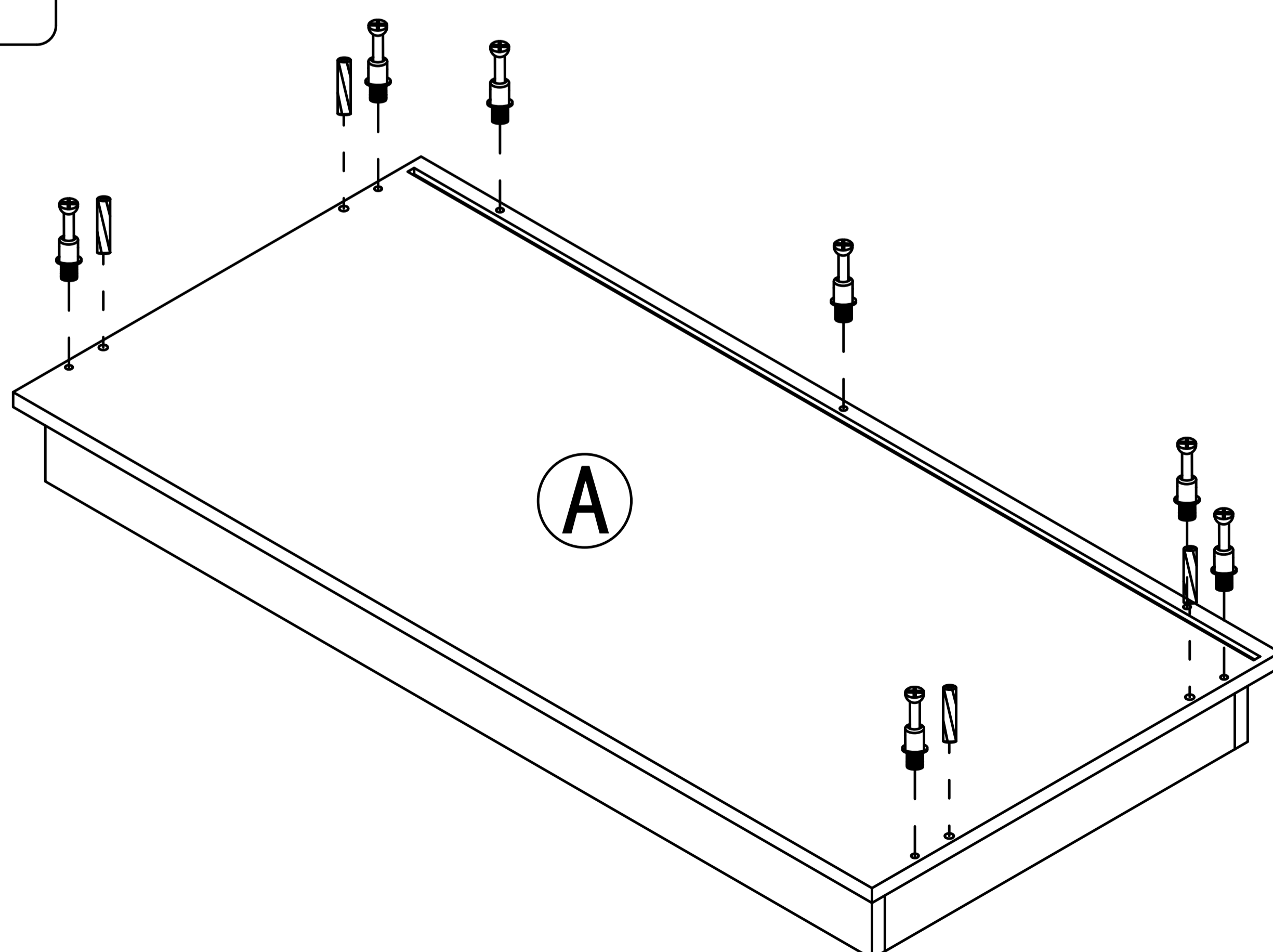


x7

3

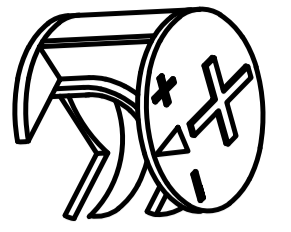


x4

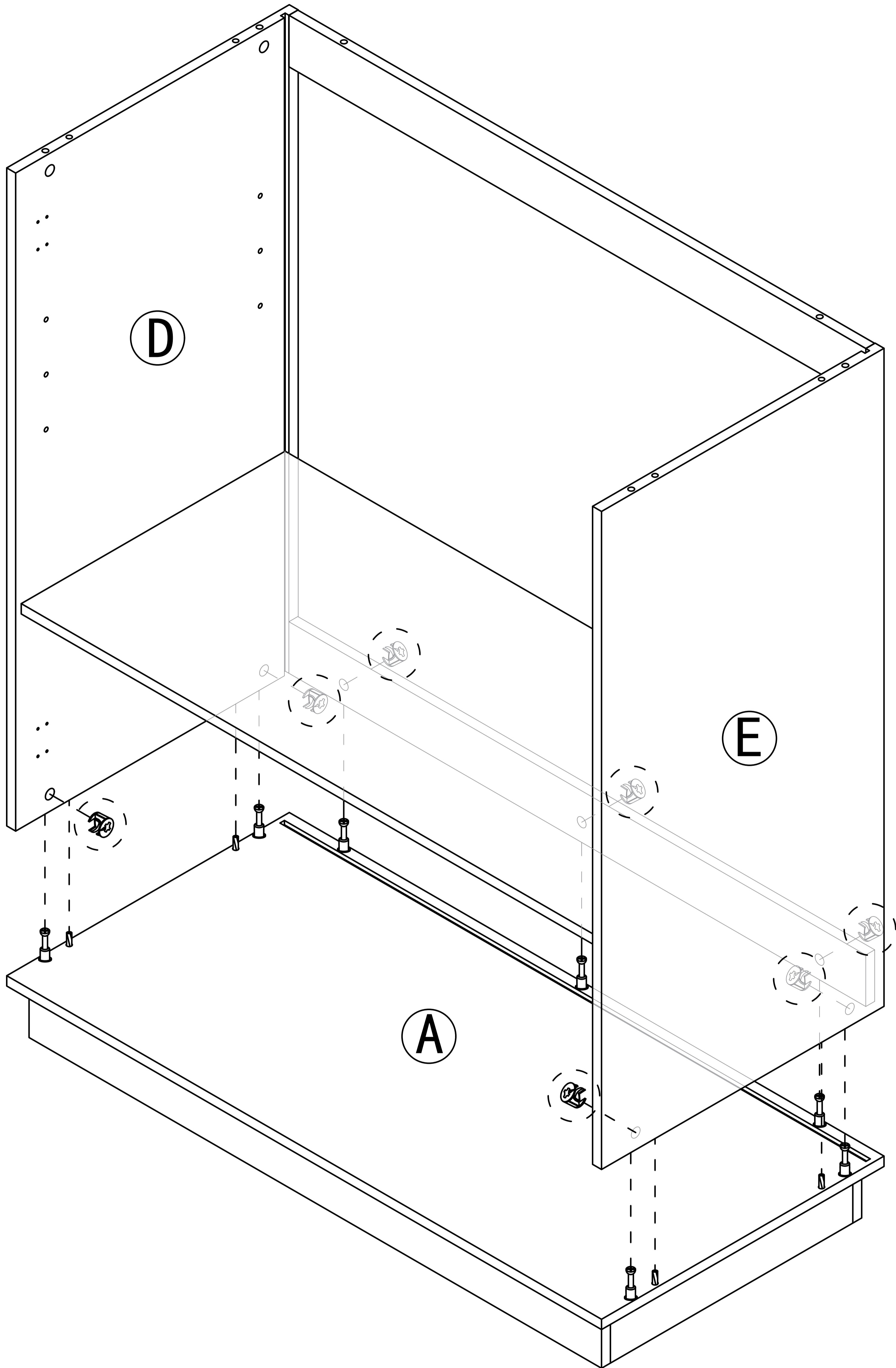


Step 14

2


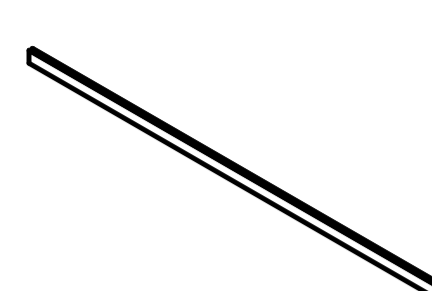


x7

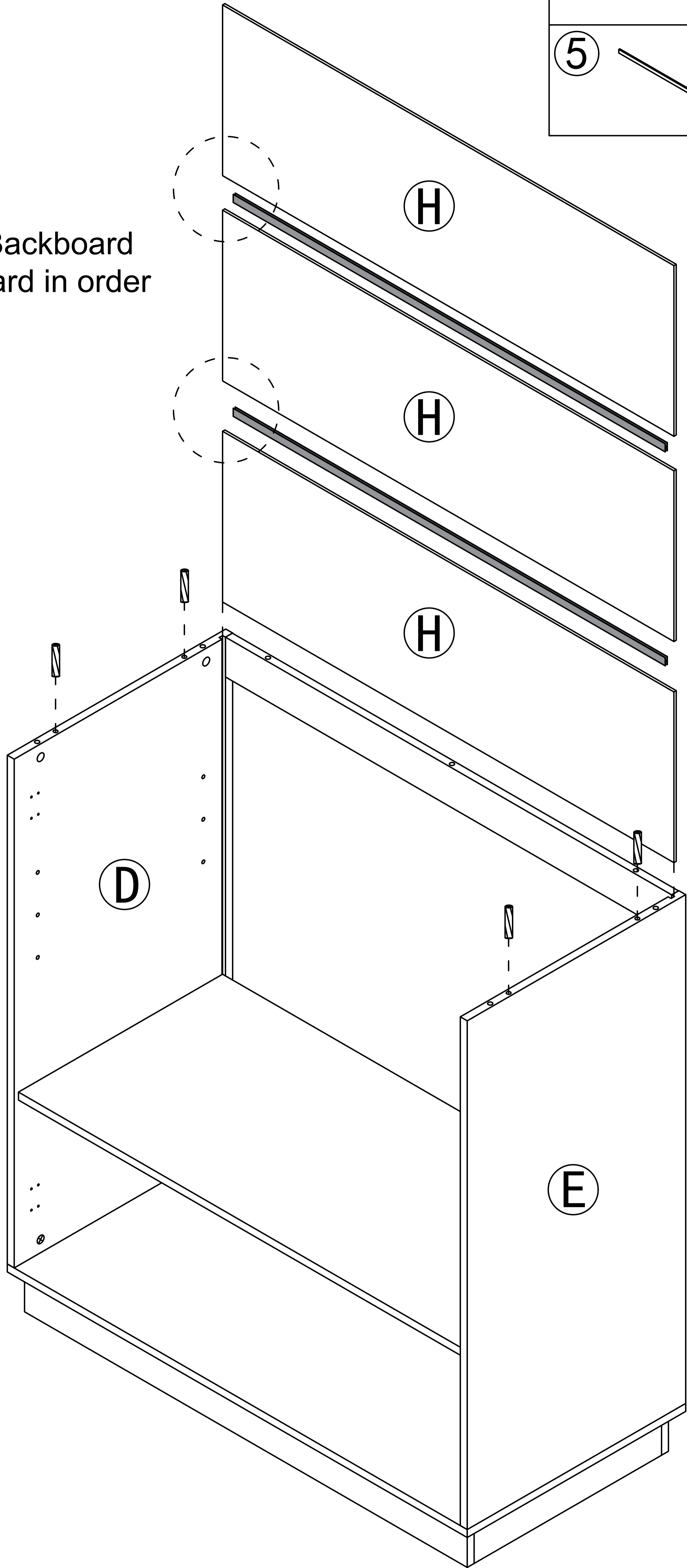
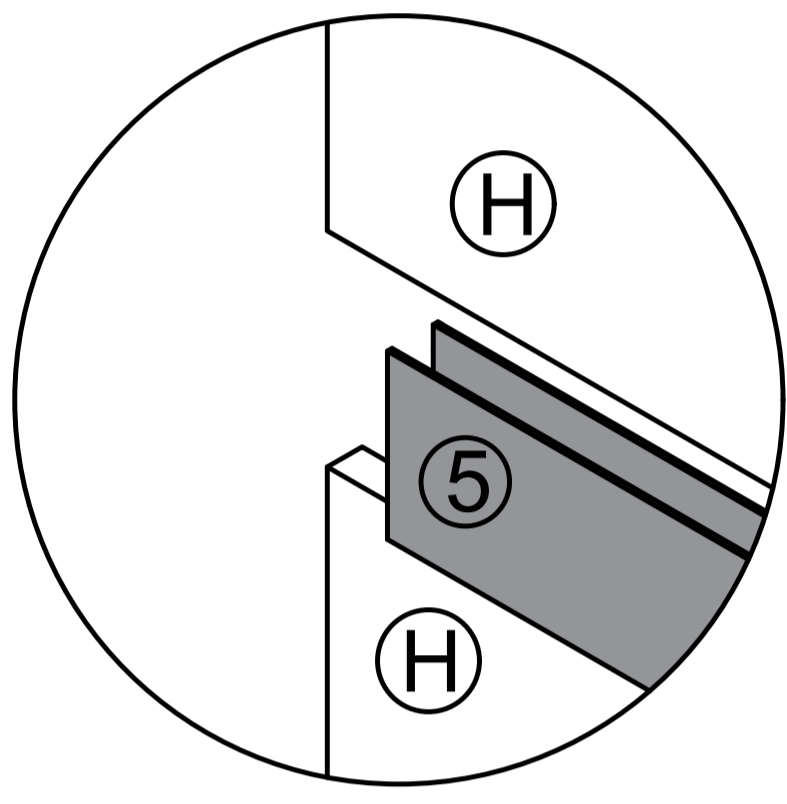


It is recommended that two people work together to install the structural wood panels.

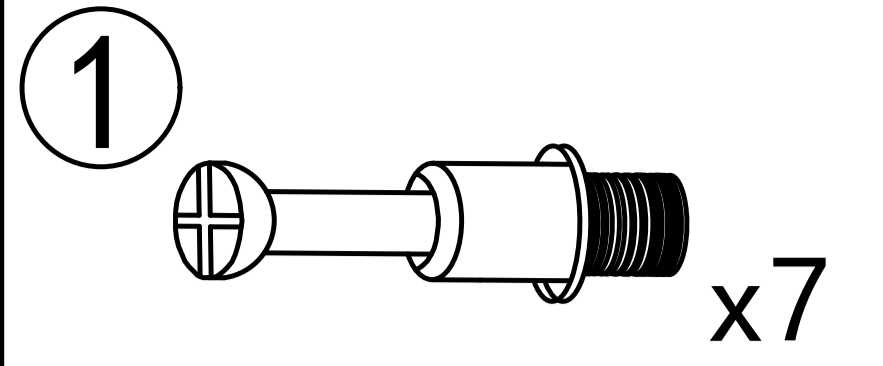
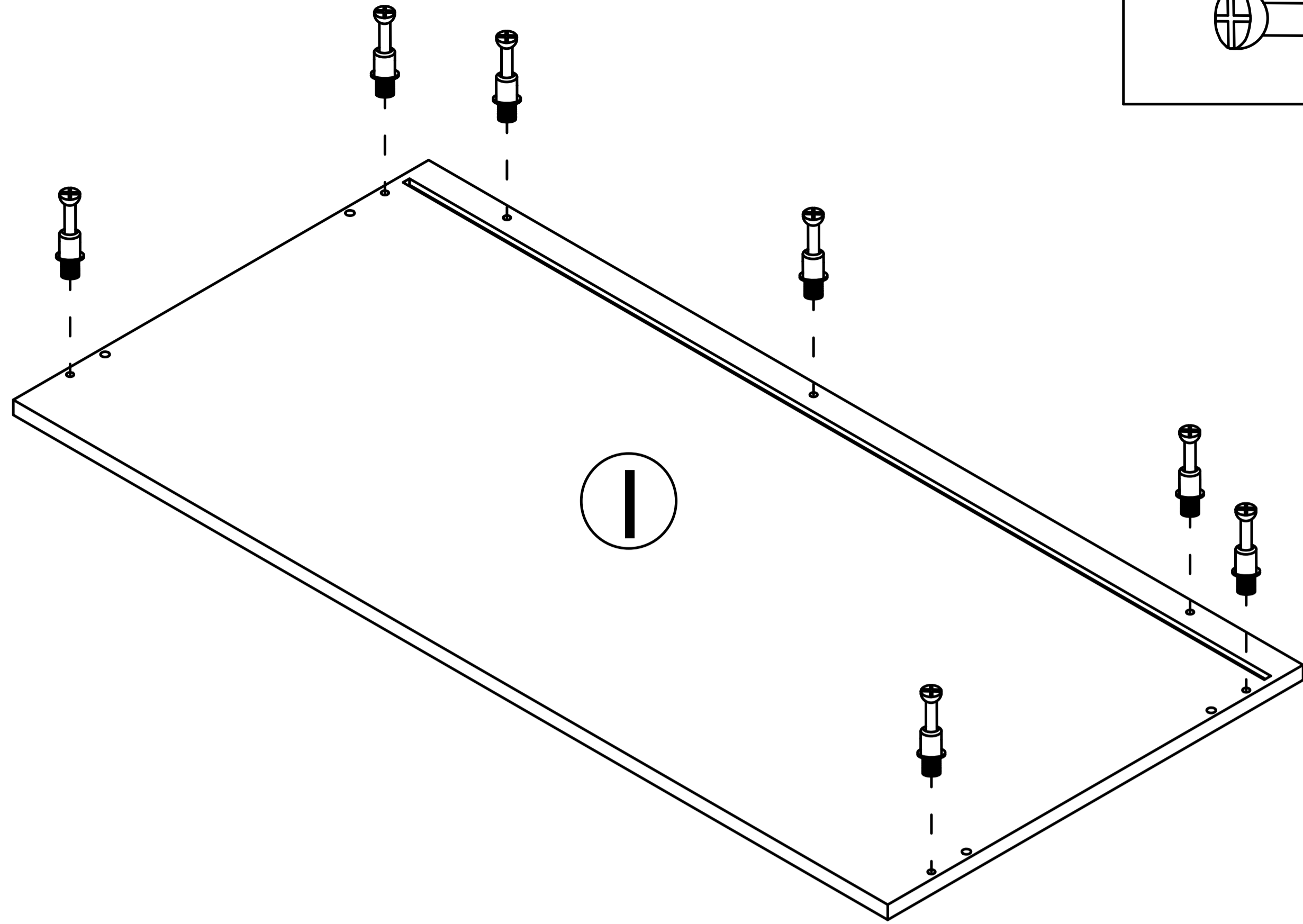
Step 15

- ③  x4
- ⑤  x2

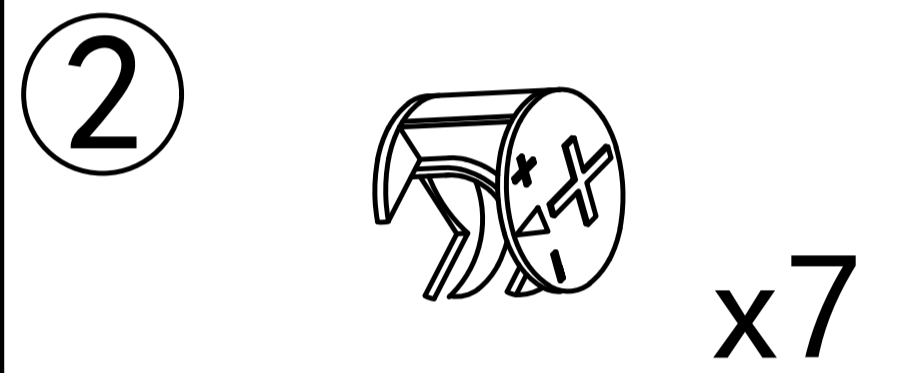
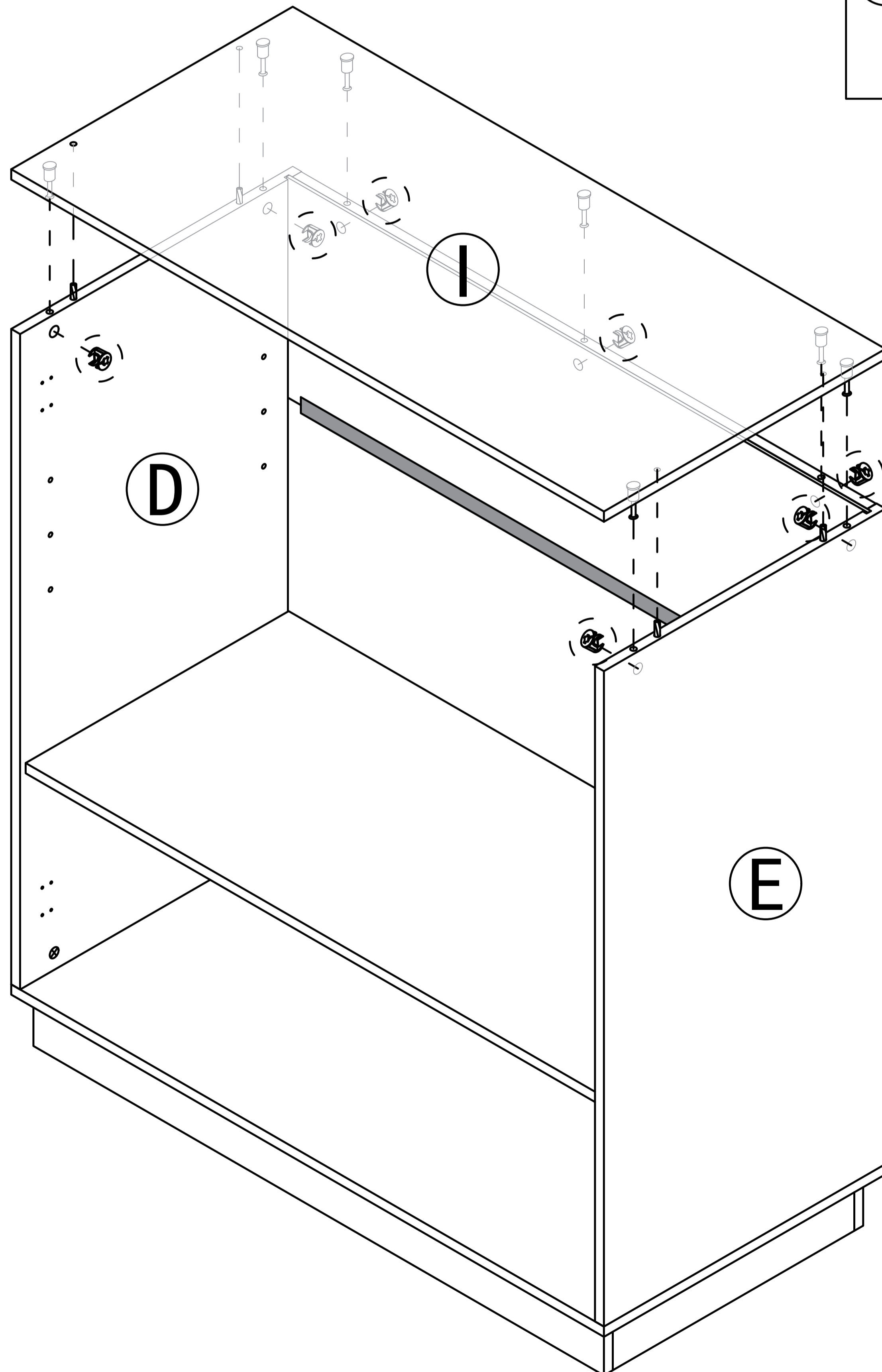
Place the "H" board, Backboard card strip, and "H" board in order



Step 16

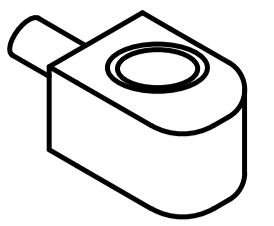


Step 17

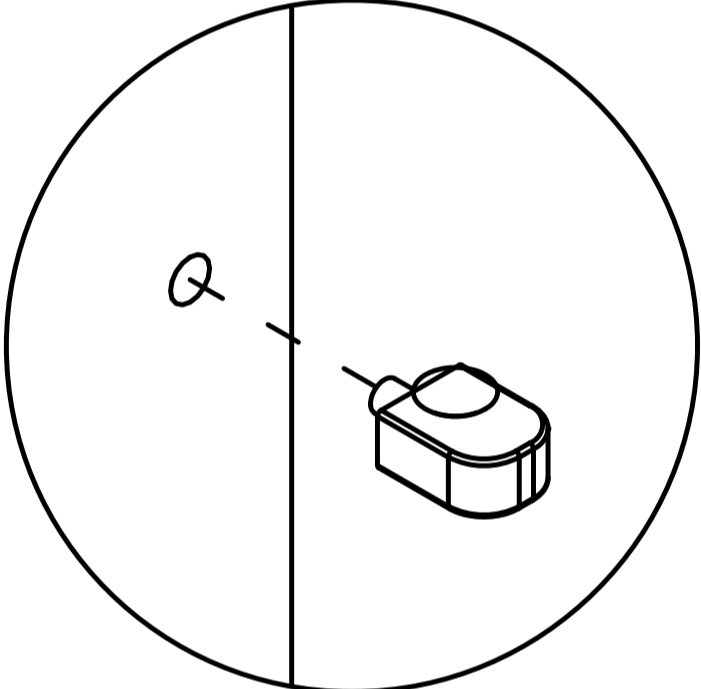
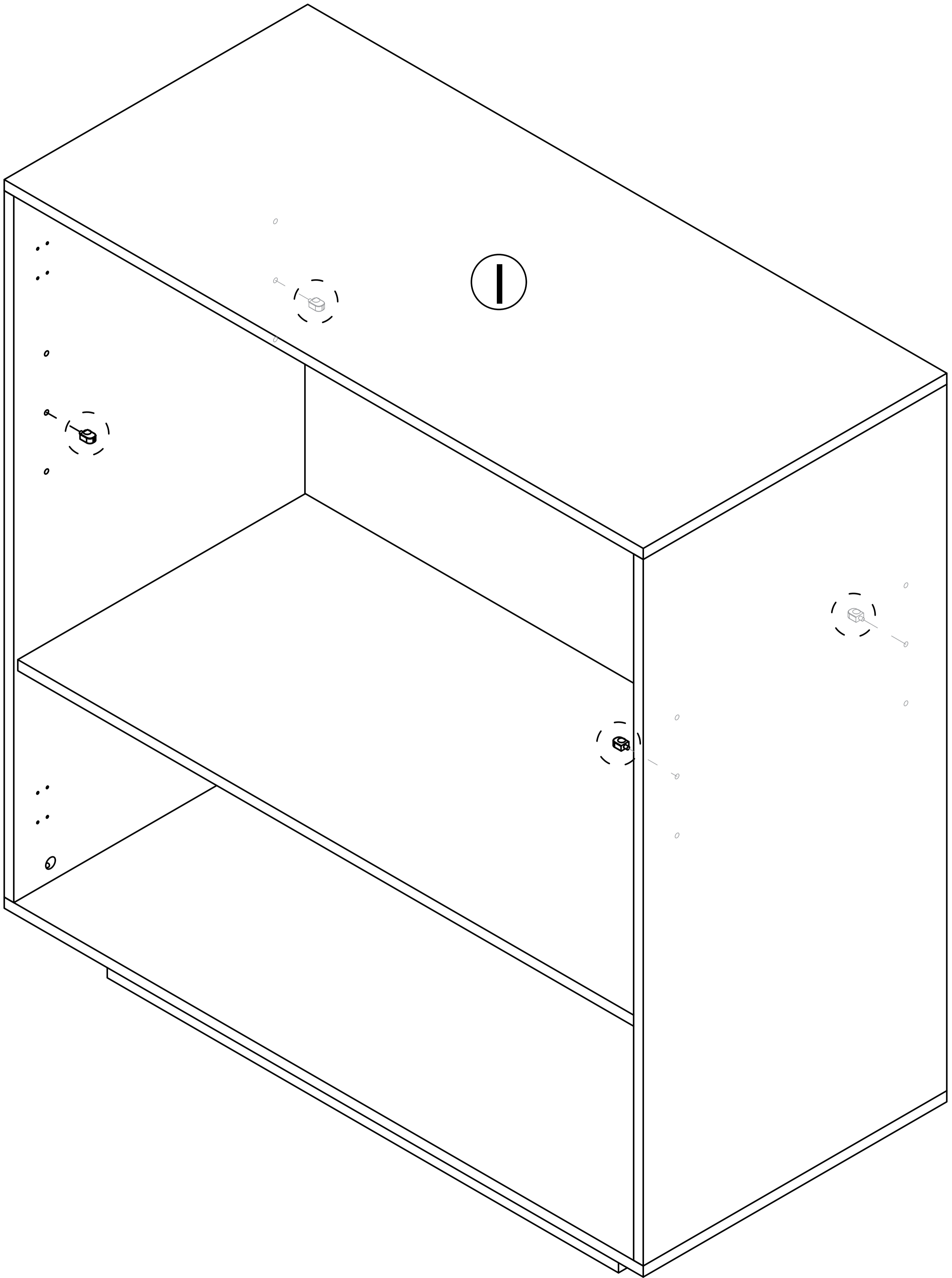


Step 18

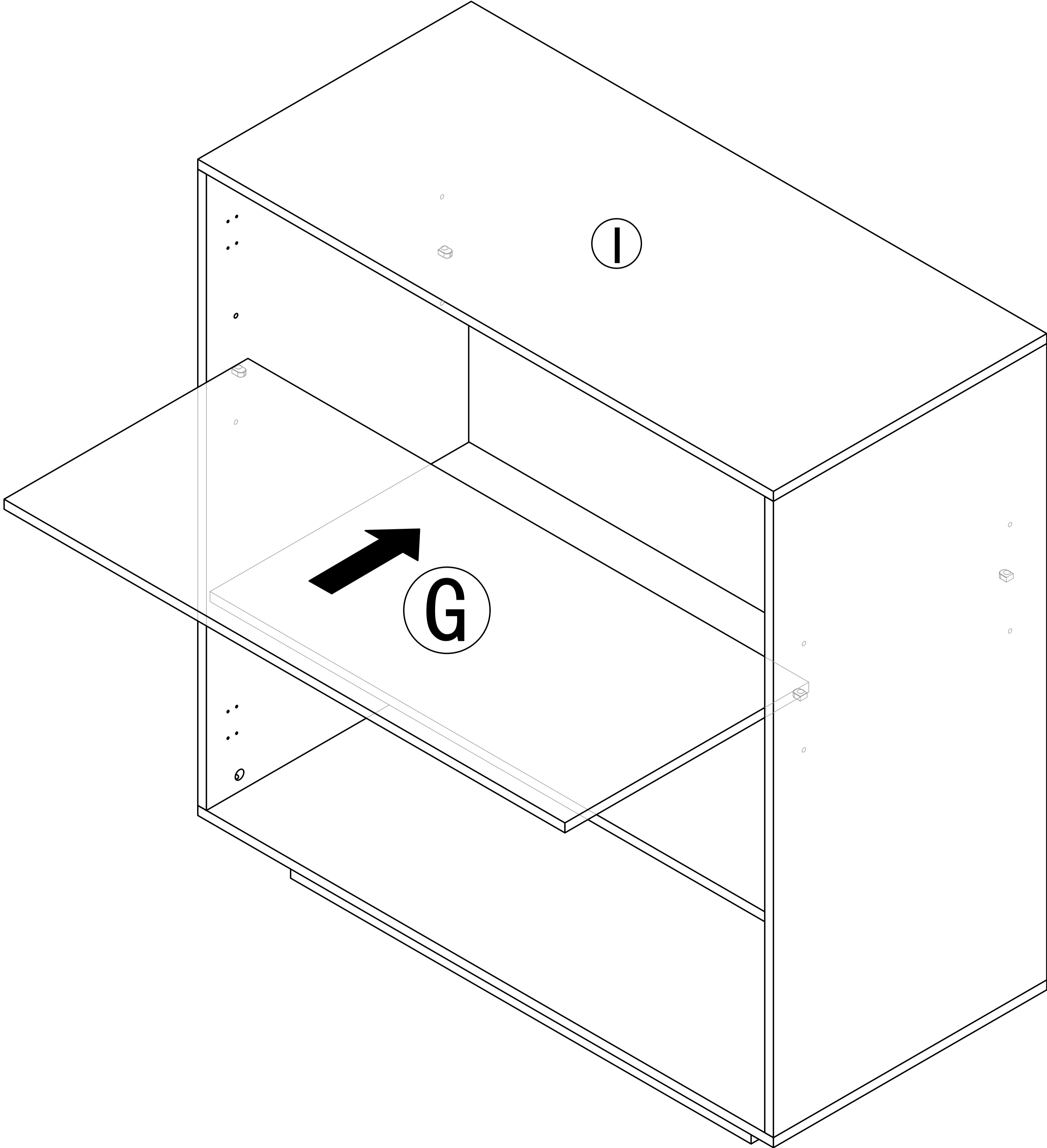
7



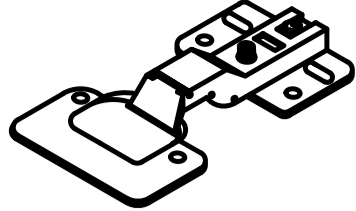
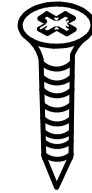
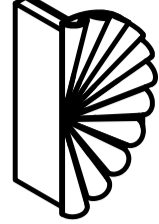

x4

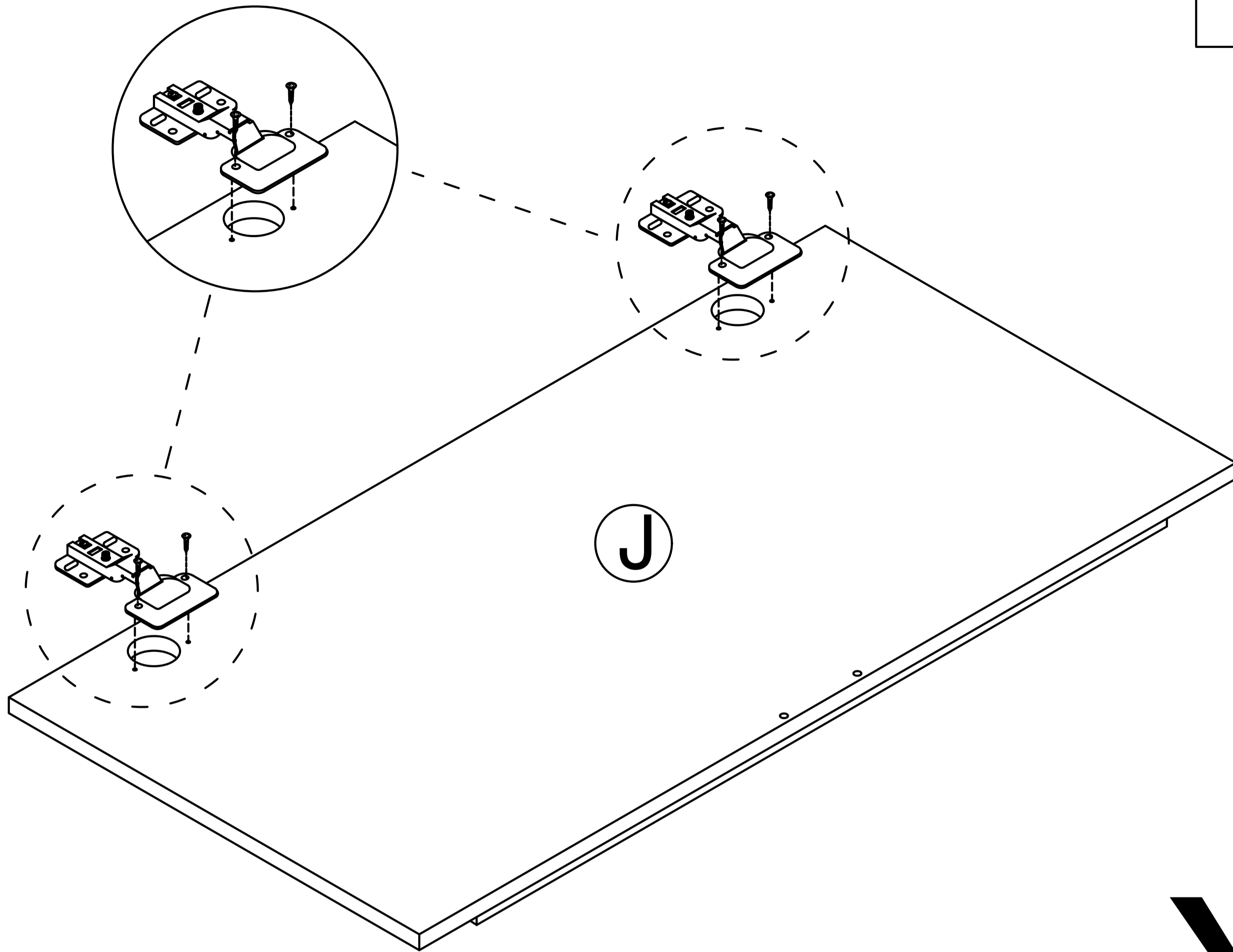


Step 19

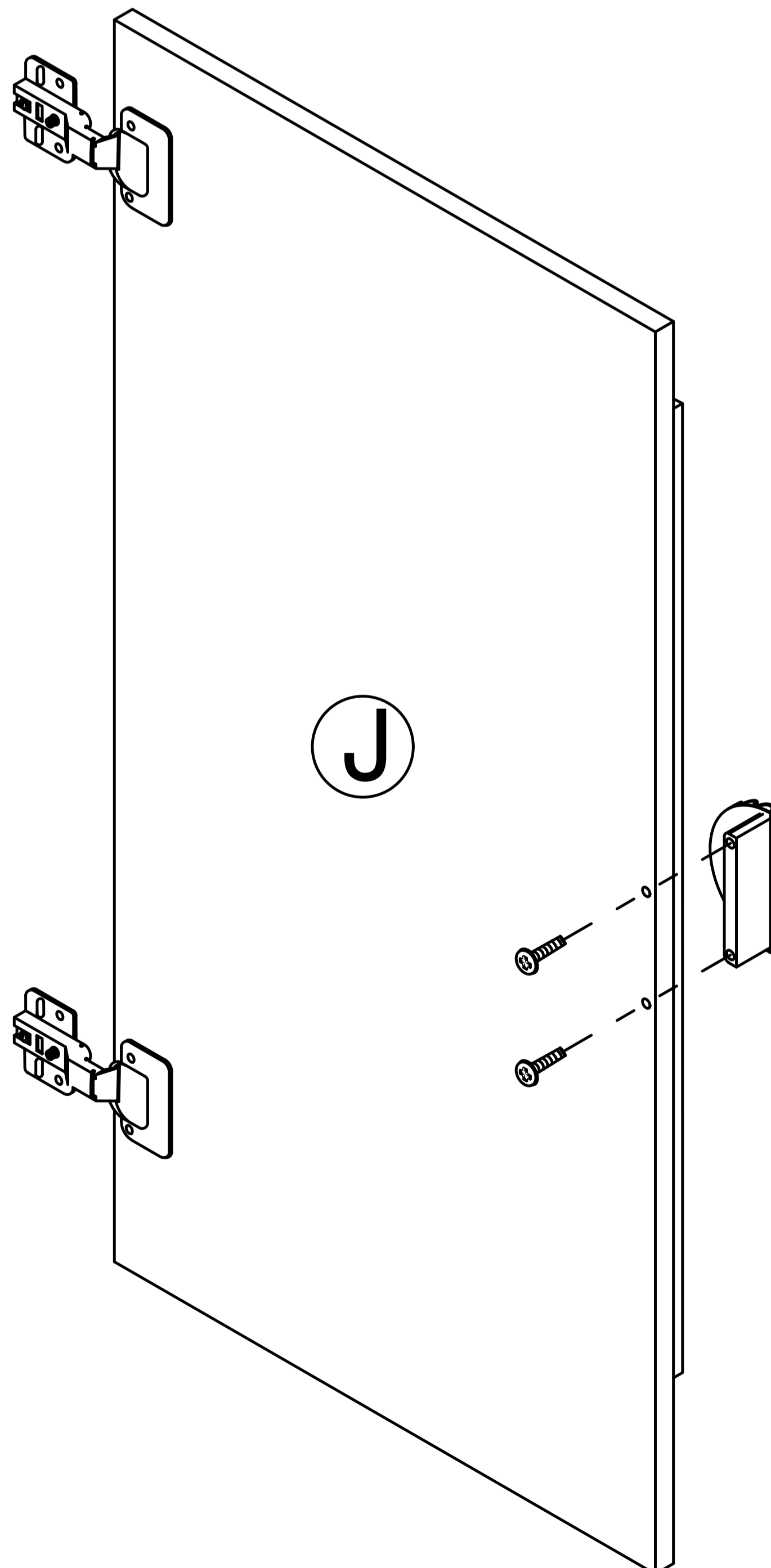


Step 20

8		
	x4	x8
9		
	x2	x4

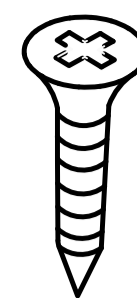


x2

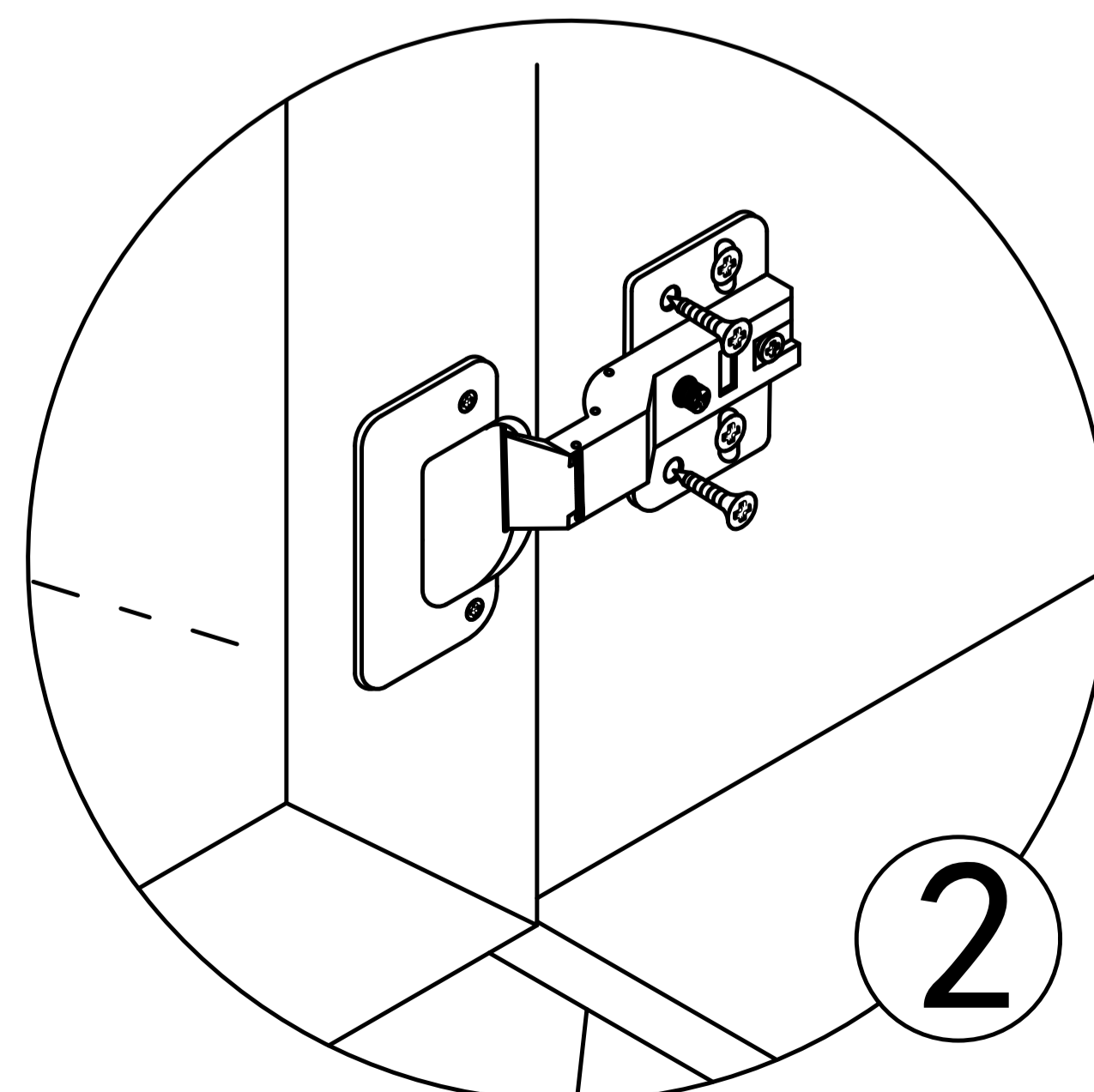
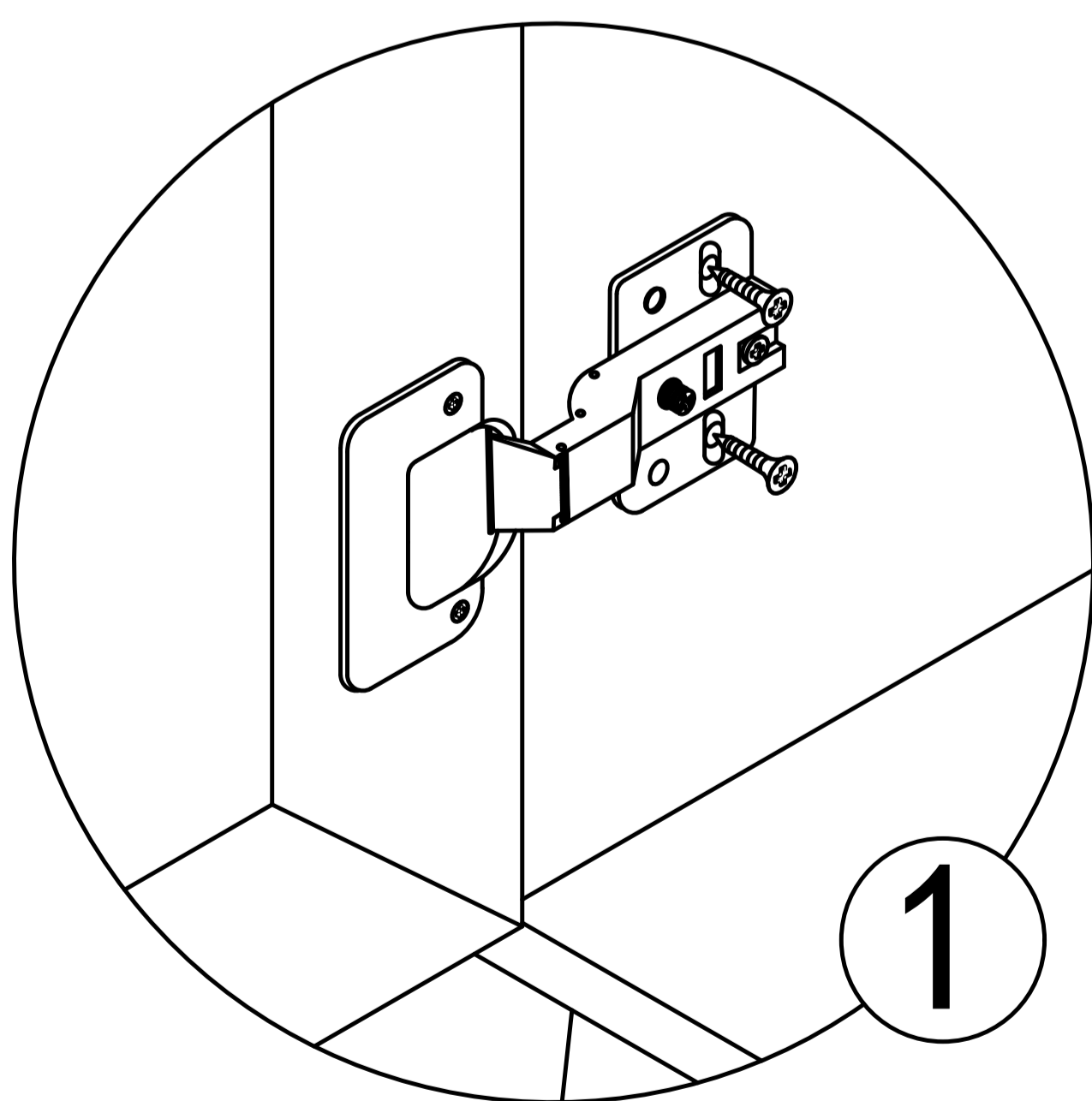
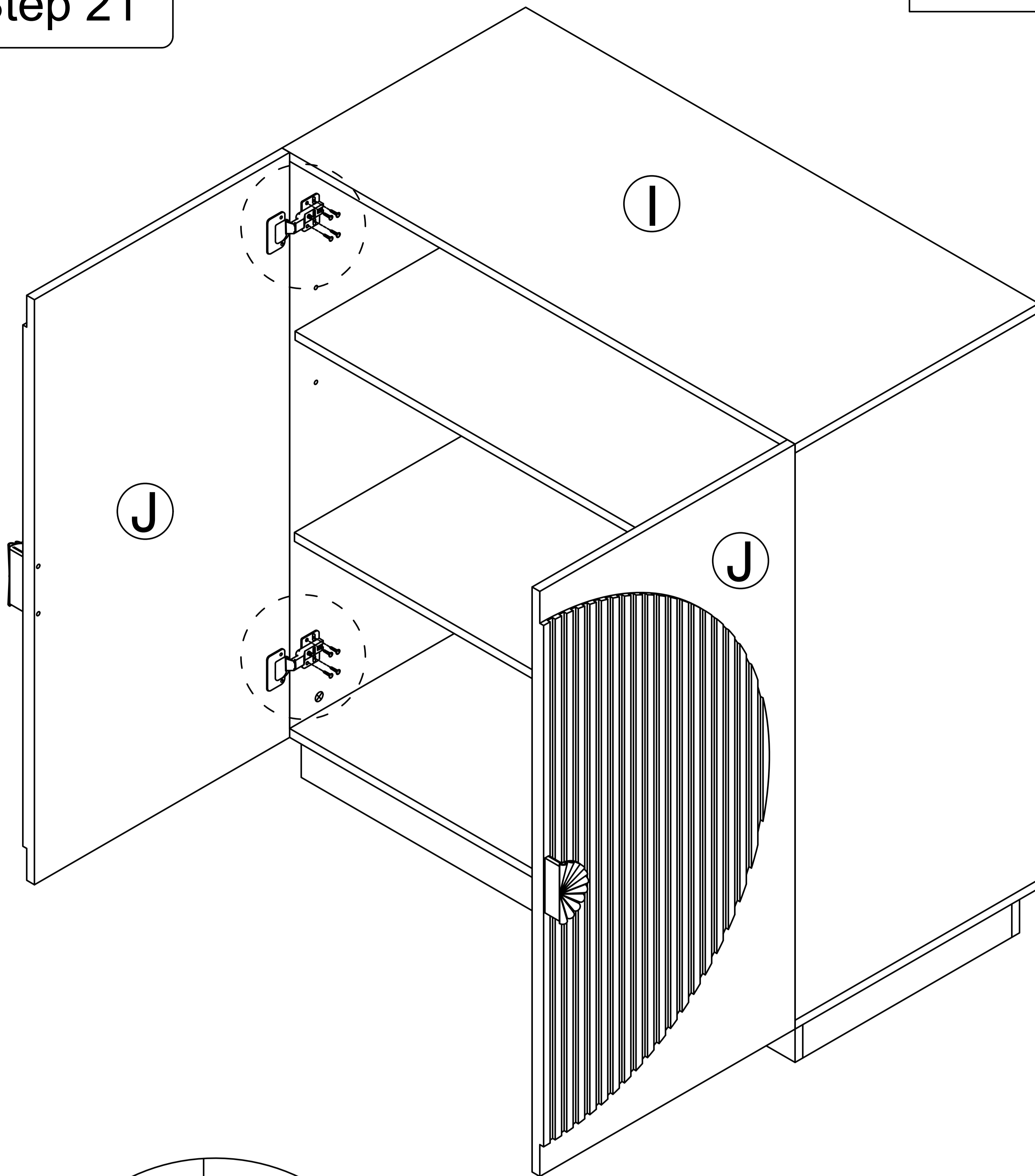


Step 21

8



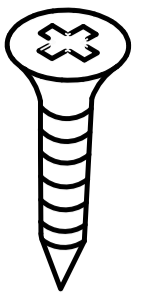
x16



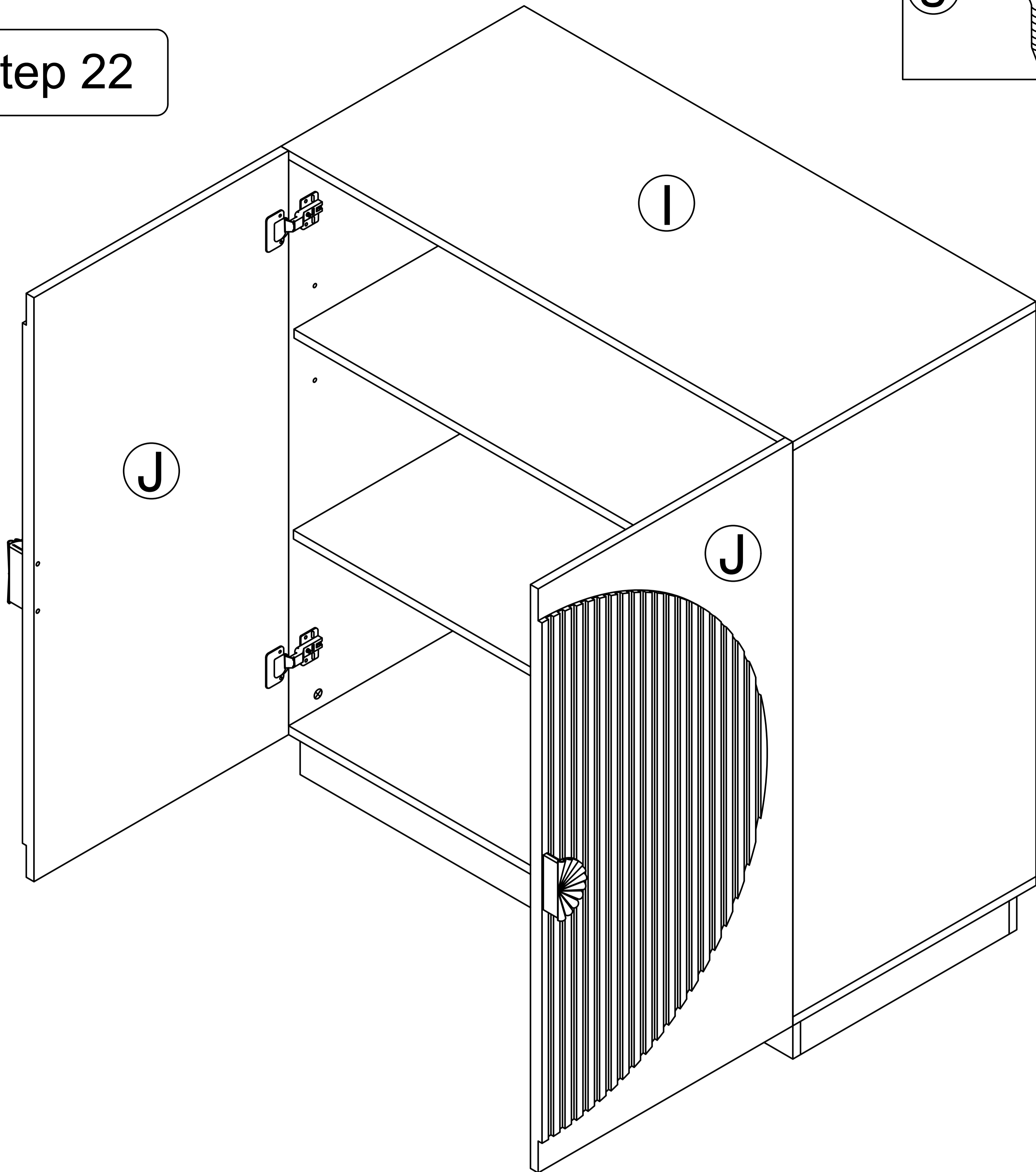
First lock the elliptical hole
then lock the fixed hole

Step 22

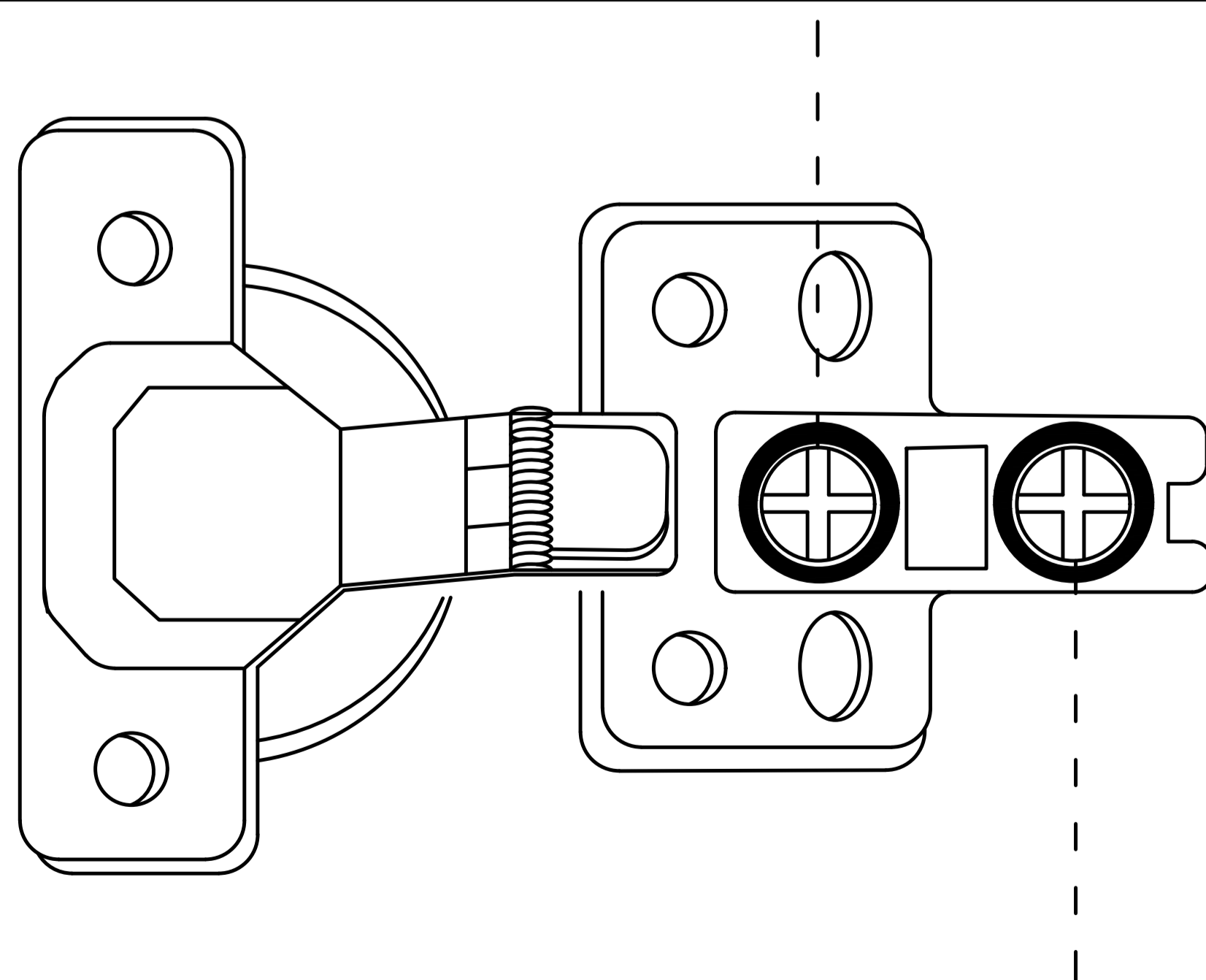
8



x16

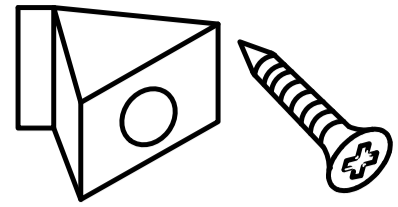


Turning this screw can effectively adjust the size of the door gap.



Turn this screw to adjust the door panel to be flat with the side panel.

Step 23

5  x6

