

# ASSEMBLY INSTRUCTIONS



*Fine Furniture for every stage of life*

**Queen Storage Bed**

# ASSEMBLY INSTRUCTIONS

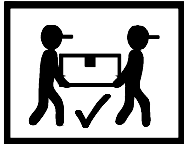
## ASSEMBLY TIPS:

1. Remove hardware from box and sort by size.
2. Please check to see that all hardware and parts are present prior to start of assembly.
3. Please follow attached instructions in the same sequence as numbered to assure fast & easy assembly.



### WARNING!

1. Don't attempt to repair or modify parts that are broken or defective. Please contact the store immediately.
2. This product is for home use only and not intended for commercial establishments.

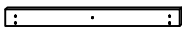

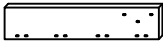

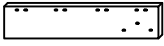
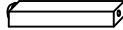
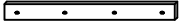

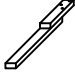

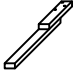
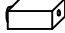
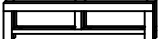
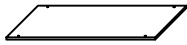


ASSEMBLY TIME

30 MINUTES

## PARTS IDENTIFICATION

### B1 (BOX 1)

A	HEADBOARD PANEL		4 PCS	H	BED RAIL(L&R)		2 PCS
B	LEFT HEADBOARD SUPPORT (WITH "L" LABEL)		1 PC	I	ROLL SLAT (6 PCS)		2 SETS
C	RIGHT HEADBOARD SUPPORT (WITH "R" LABEL)		1 PC	J	BED SLAT SUPPORT WITH LEVELER		4 PCS
D	CENTRE HEADBOARD SUPPORT		1 PC	K	ROLL SLAT SUPPORT RAIL		2 PCS
E	LEFT HEADBOARD LEG (WITH "L" LABEL)		1 PC	L	DRAWER FRAME		1 PC
F	RIGHT HEADBOARD LEG (WITH "R" LABEL)		1 PC	M	DRAWER FRAME SUPPORT WITH LEVELER		3 PCS
G	FOOTBOARD		1 PC	O	CONCEAL PANEL		1 PC

### B2 (BOX 2)

N	DRAWER		2 PCS
---	--------	---	-------

# ASSEMBLY INSTRUCTIONS

## ASSEMBLY TIPS:

1. Remove hardware from box and sort by size.
2. Please check to see that all hardware and parts are present prior to start of assembly.
3. Please follow attached instructions in the same sequence as numbered to assure fast & easy assembly.



### WARNING!

1. Don't attempt to repair or modify parts that are broken or defective. Please contact the store immediately.
2. This product is for home use only and not intended for commercial establishments.

## HARDWARE IDENTIFICATION

### Z-B1 (BOX 1) - HARDWARE PACK IS LOCATED IN B1

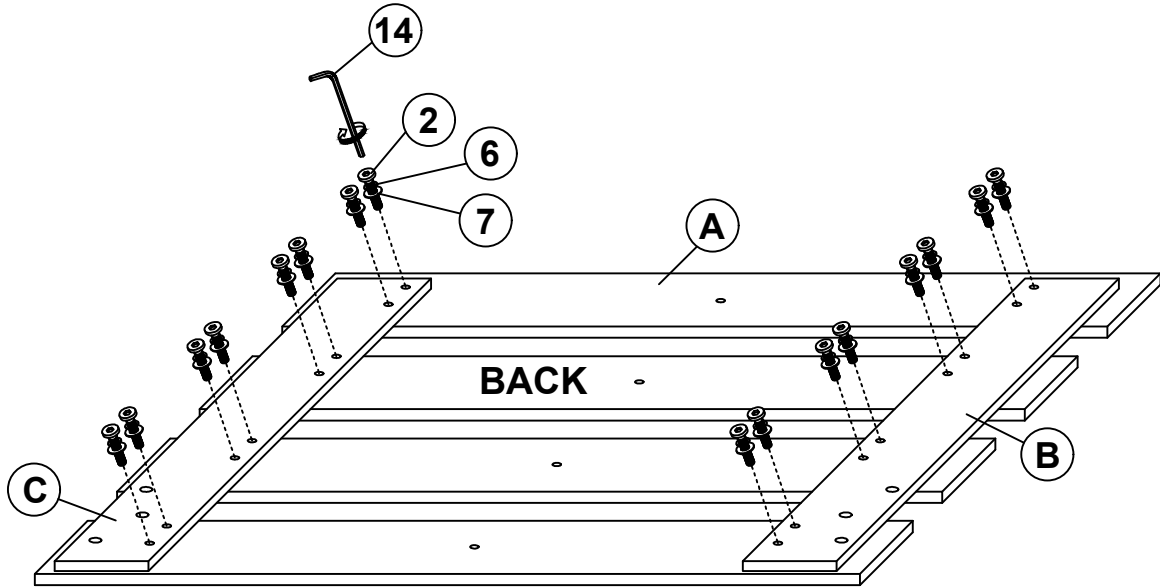
1	<b>BOLT 1</b> (M8 x 20MM - RBW)		8 PCS	8	<b>PAN HEAD SCREW</b> (M4 x 16MM-BLK)		4 PCS
2	<b>BOLT 2</b> (M8 x 35MM - RBW)		22 PCS	9	<b>SHORT FLAT HEAD SCREW</b> (M4 x 16MM - BLK)		4 PCS
3	<b>BOLT 3</b> (M6 x 25MM - RBW)		4 PCS	10	<b>LONG FLAT HEAD SCREW</b> (M4 x 32MM - RBW)		26 PCS
4	<b>BOLT 4</b> (M6 x 40MM - RBW)		6 PCS	11	<b>WOOD DOWEL</b> (M8ø x 30MM)		3 PCS
5	<b>BOLT 5</b> (M6 x 50MM - RBW)		4 PCS	12	<b>METAL BRACKET</b> (1 x 18 x 20mm - BLK)		2 PCS
6	<b>LOCK WASHER</b> (5/16" x 14ø - RBW)		22 PCS	13	<b>SMALL ALLEN WRENCH</b> (M4 x 65mm - BLK)		1 PC
7	<b>FLAT WASHER</b> (5/16" x 22ø - RBW)		22 PCS	14	<b>BIG ALLEN WRENCH</b> (M5 x 65mm - BLK)		1 PC

### NOTE:

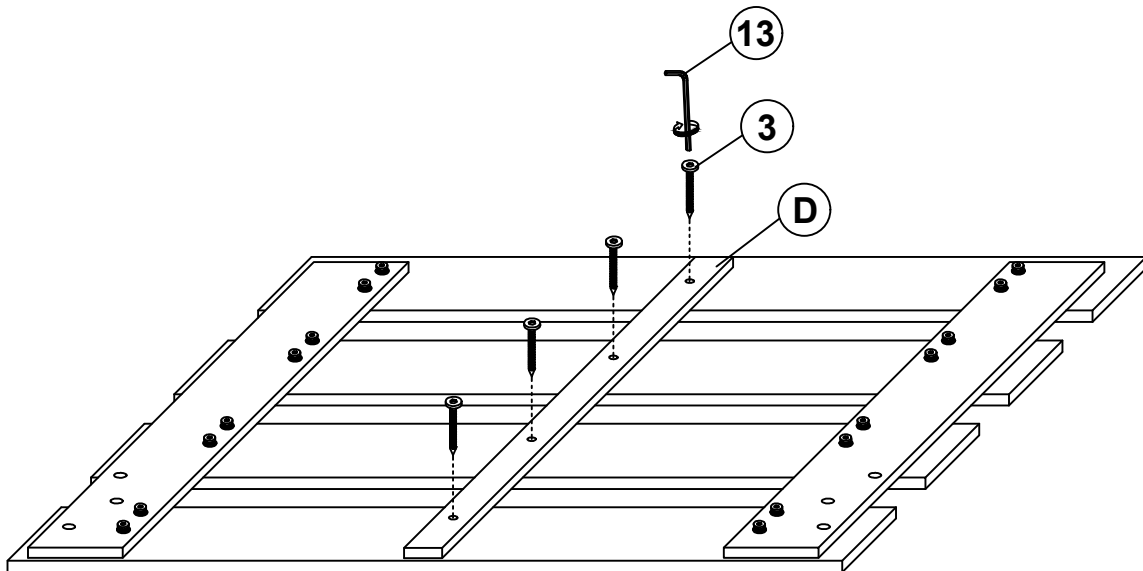
Phillips head screw driver is required in the assembly process; however, manufacturer does not provided this item.

# ASSEMBLY INSTRUCTIONS

## STEP 1

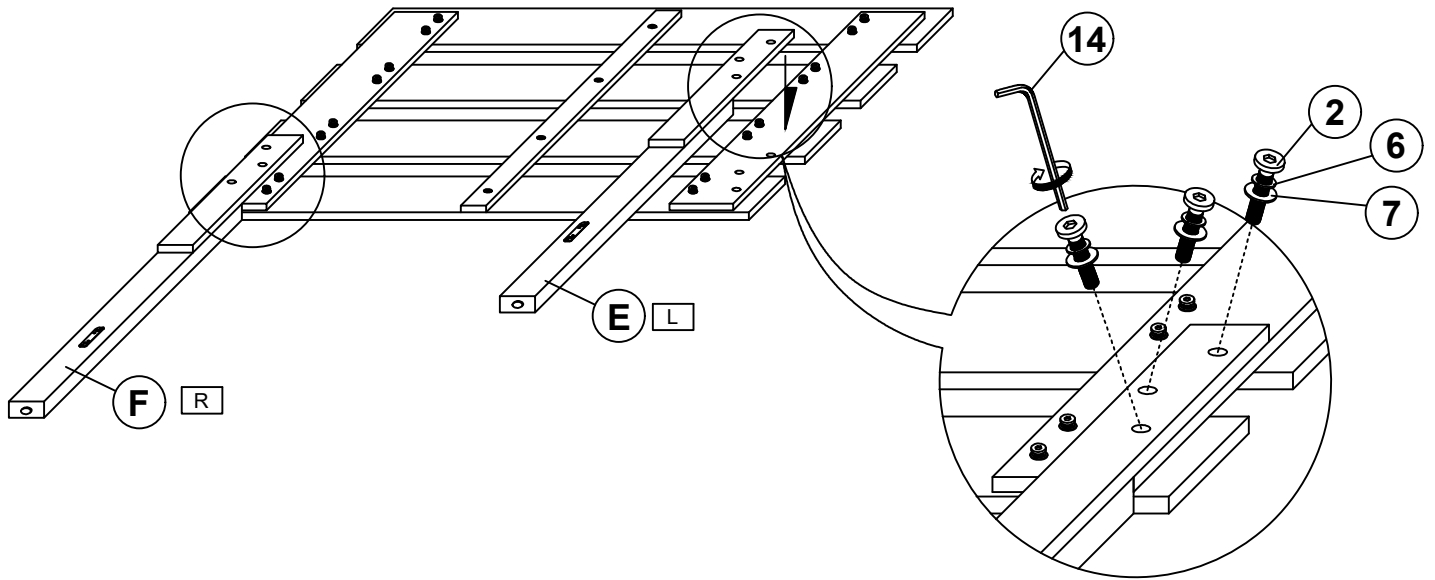


## STEP 2

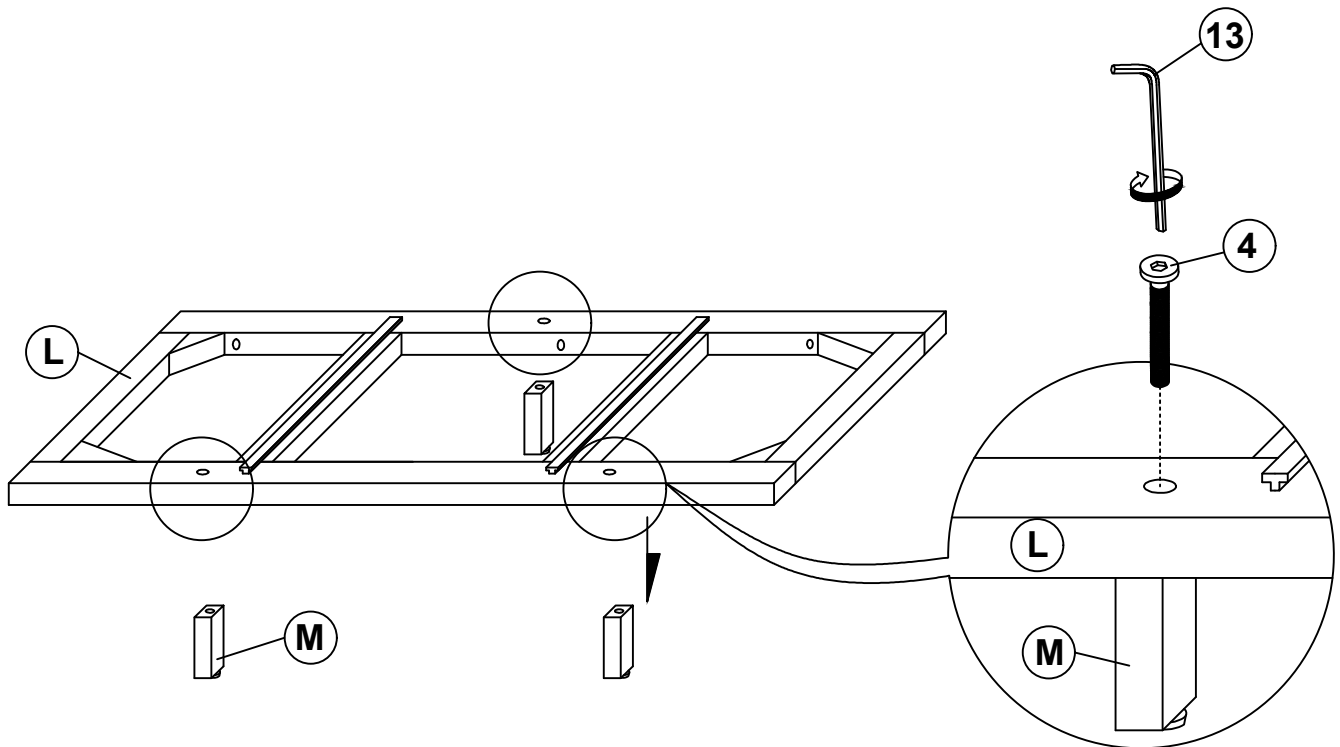


# ASSEMBLY INSTRUCTIONS

## STEP 3

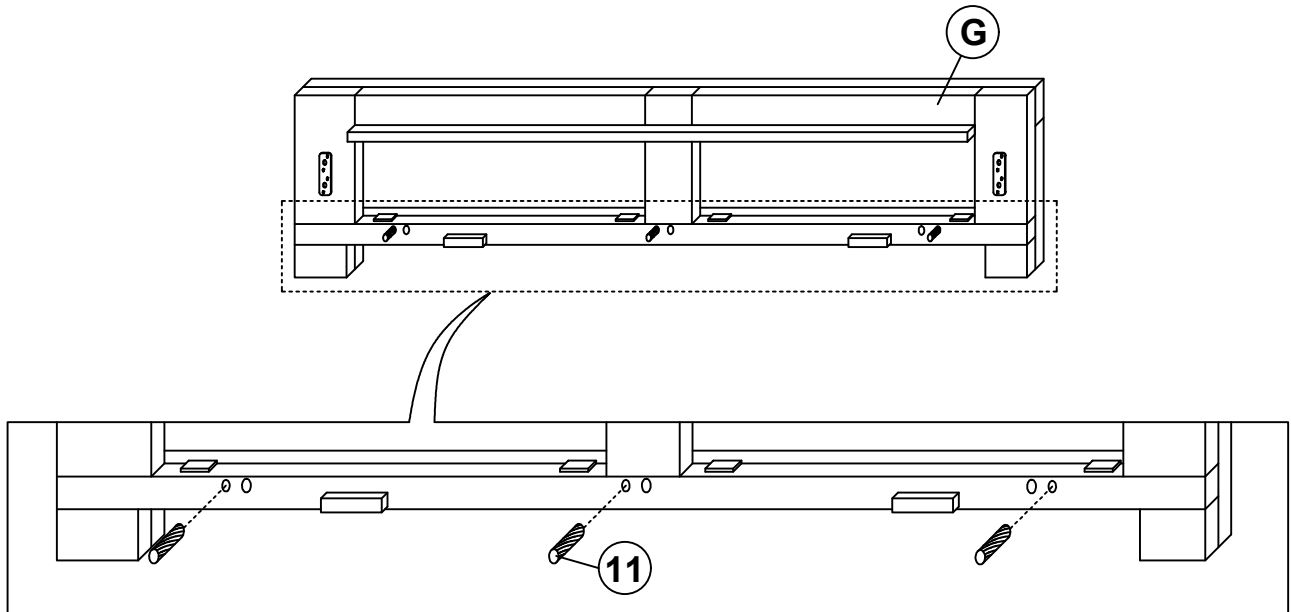


## STEP 4

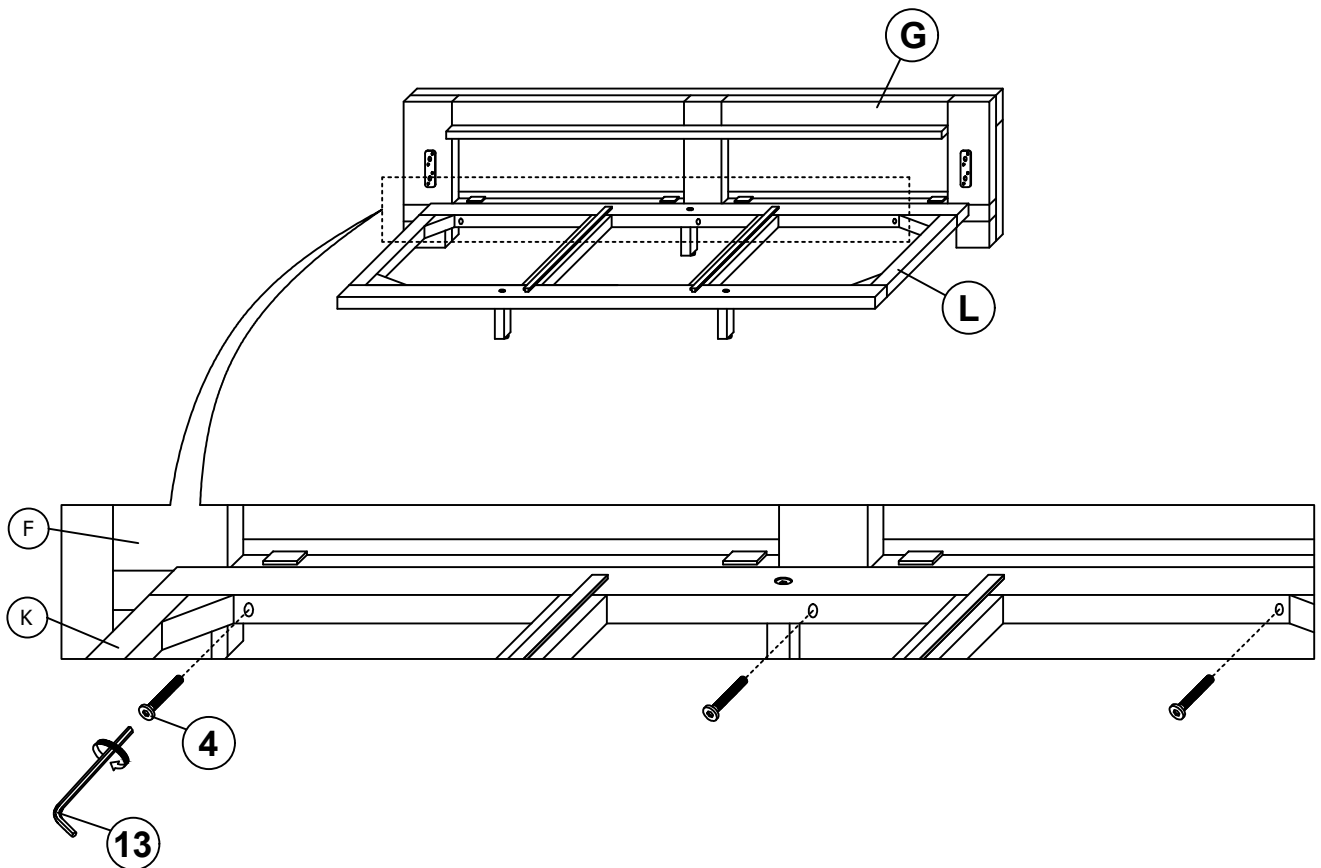


# ASSEMBLY INSTRUCTIONS

## STEP 5



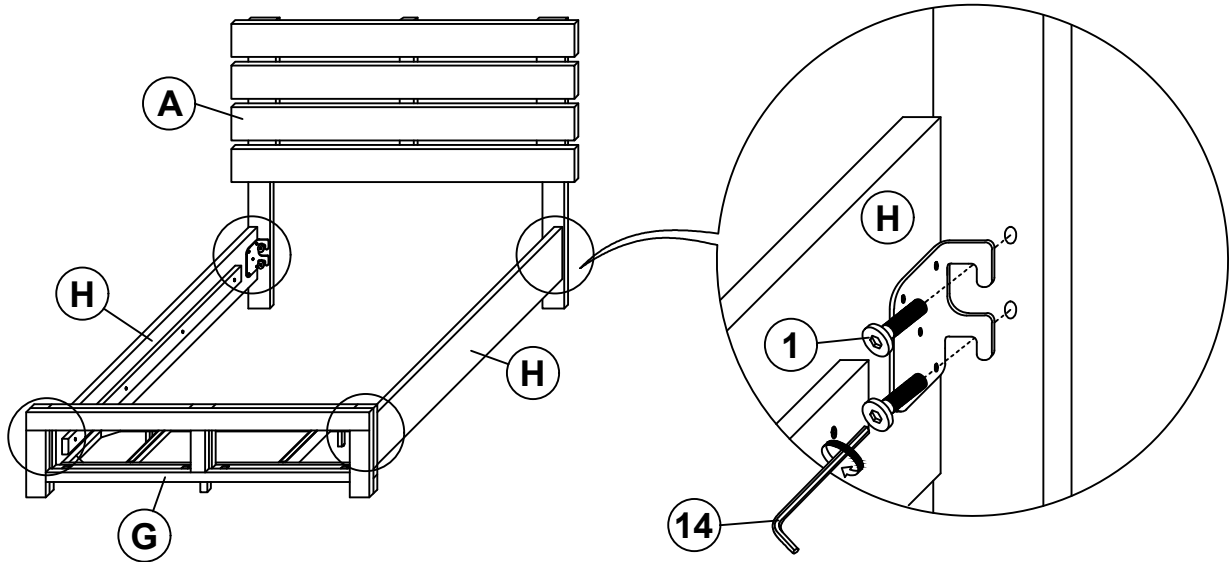
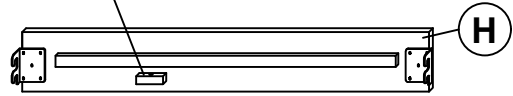
## STEP 6



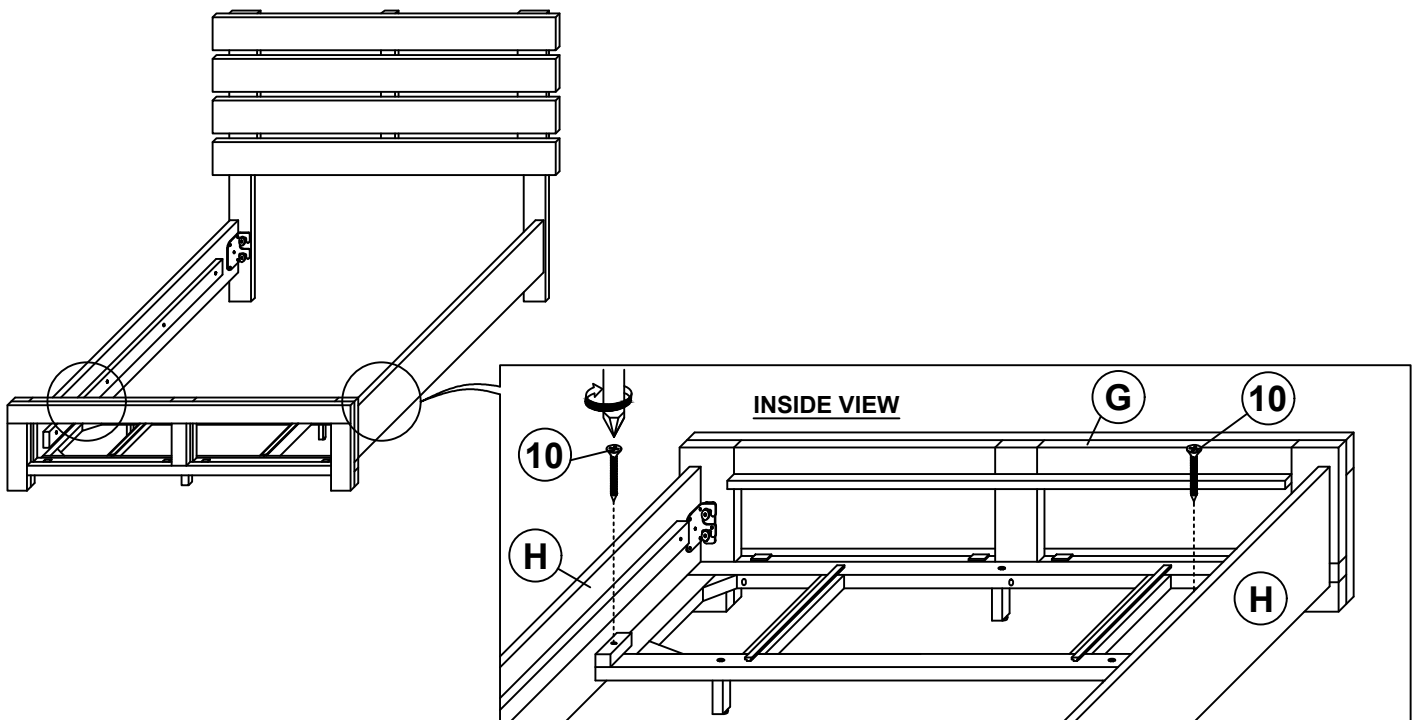
# ASSEMBLY INSTRUCTIONS

## STEP 7

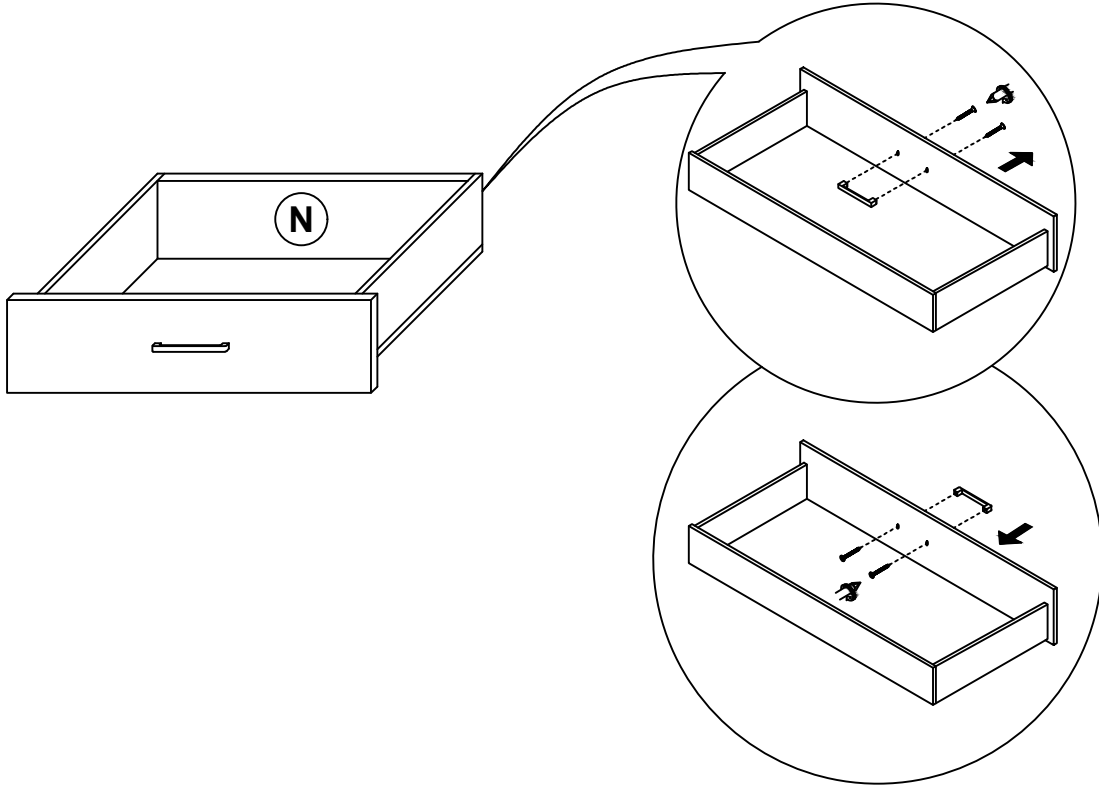
THE SIDE WITH THE SMALL WOODEN BLOCK NEEDS TO FACE THE (G).



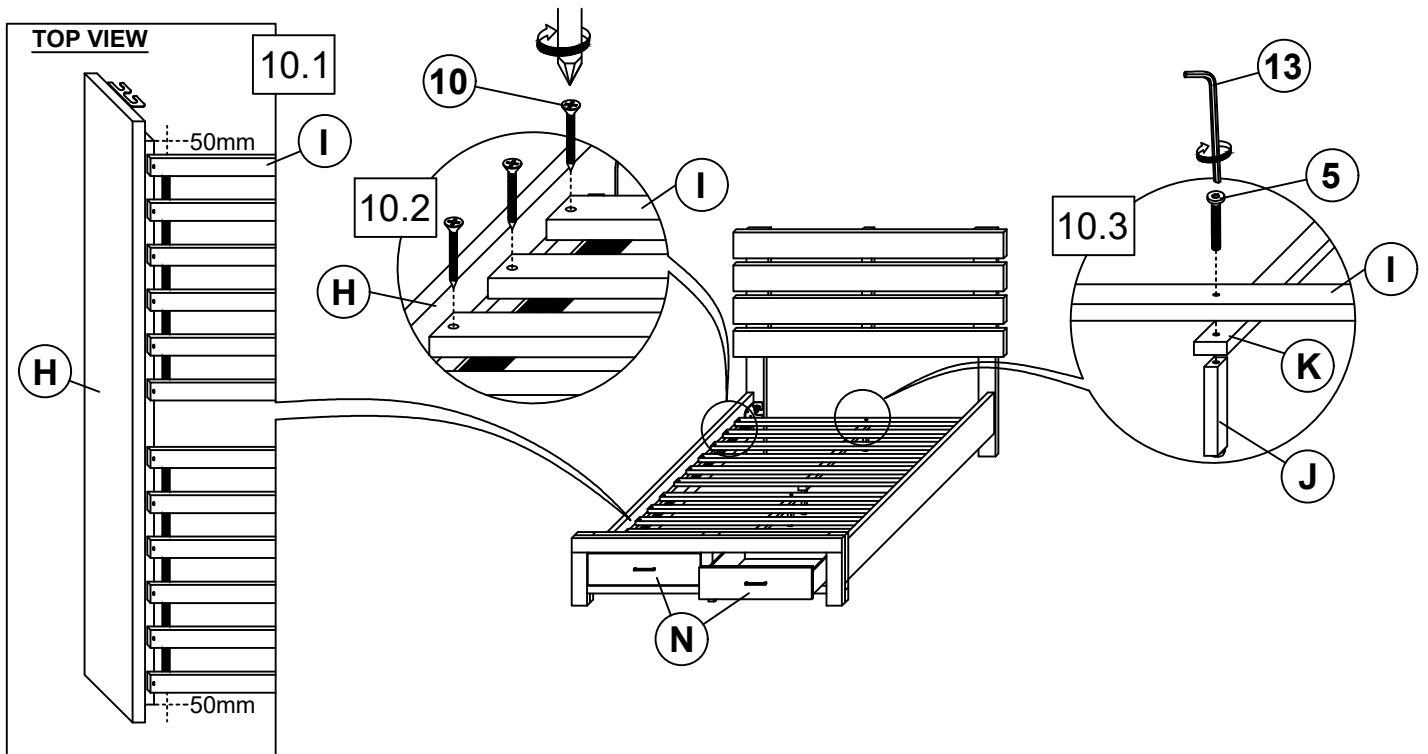
## STEP 8



# ASSEMBLY INSTRUCTIONS

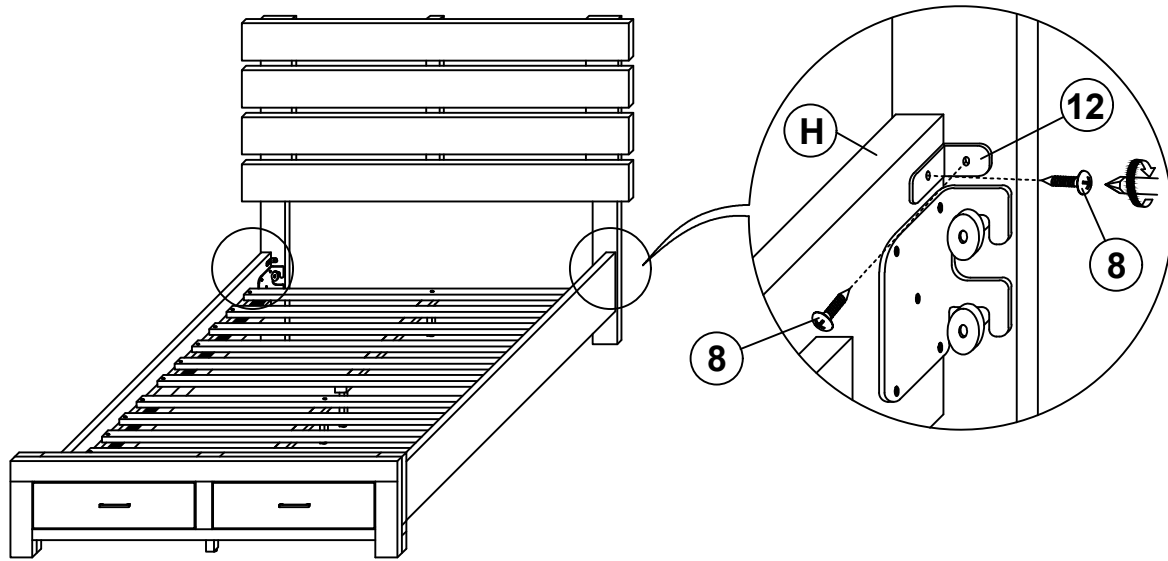


## STEP 10

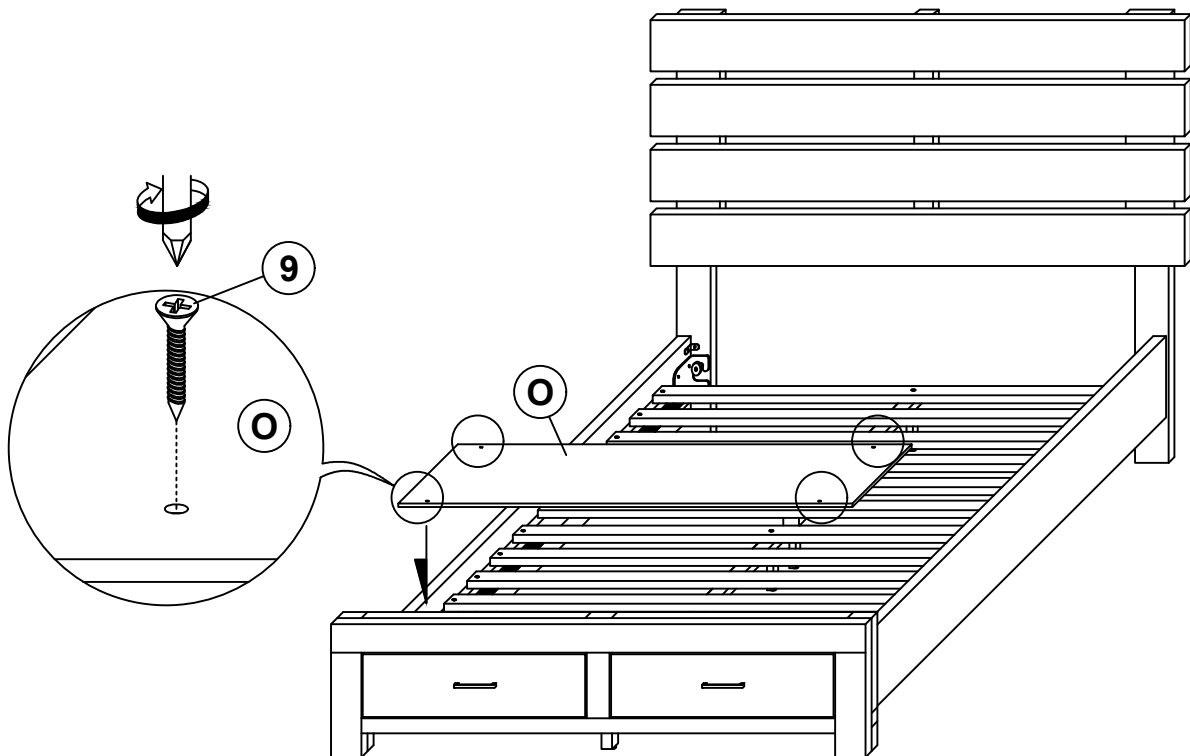


# ASSEMBLY INSTRUCTIONS

## STEP 11



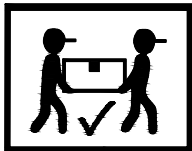
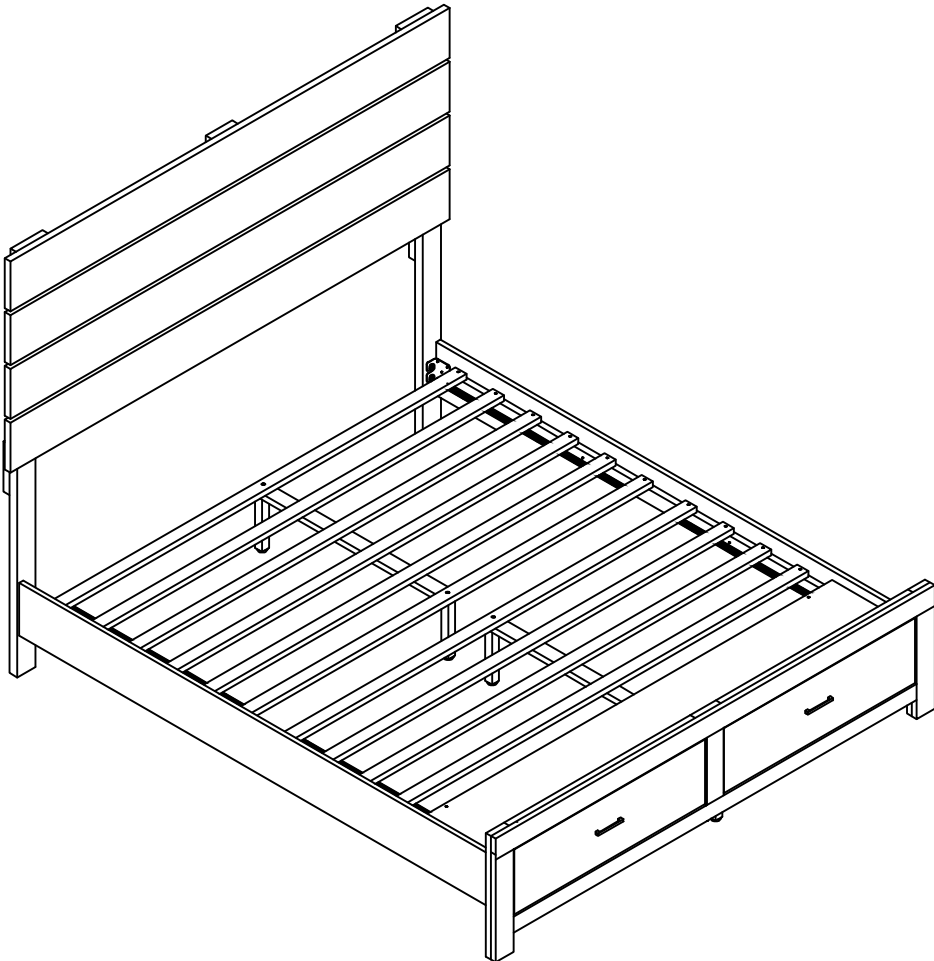
## STEP 12



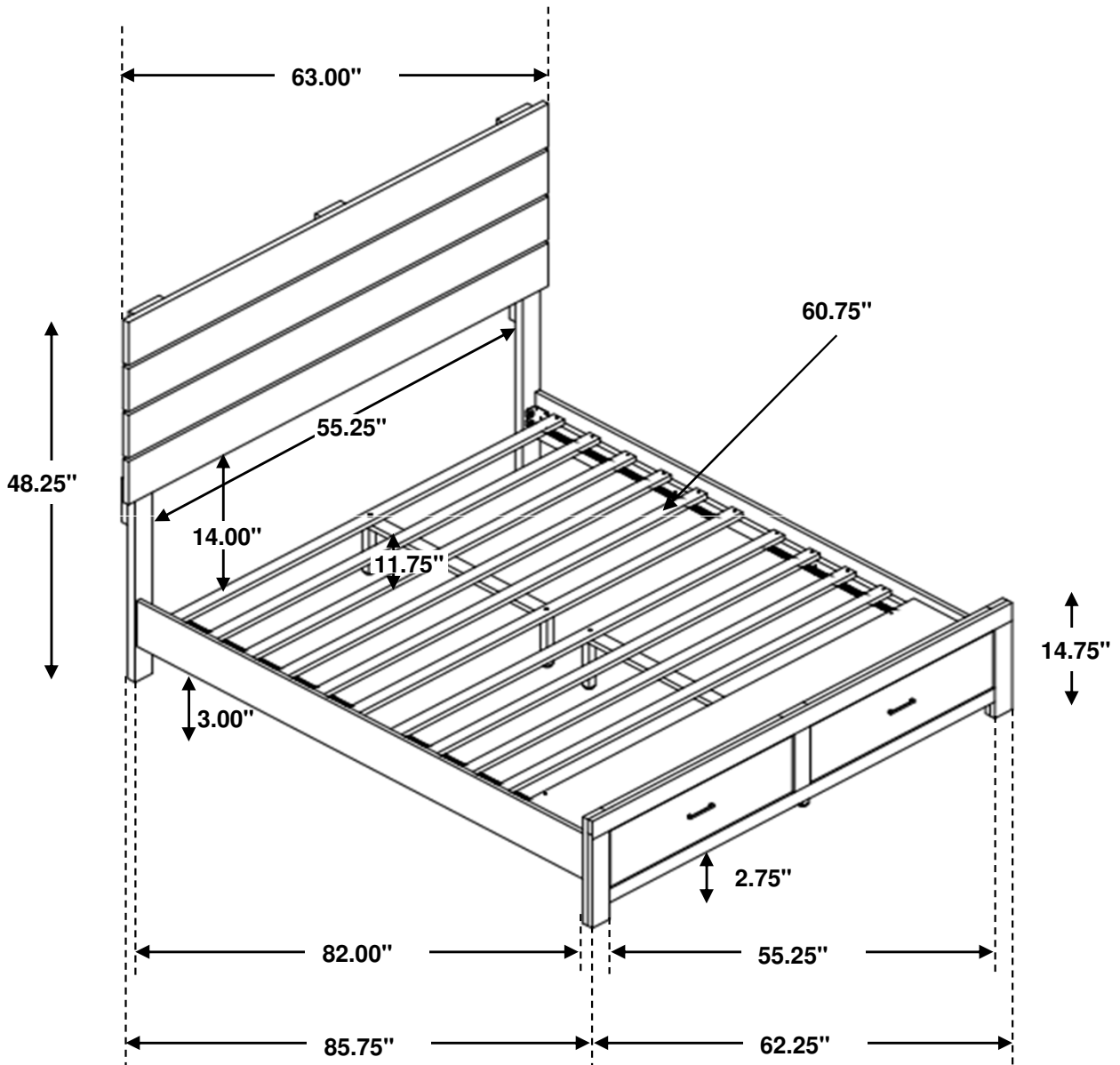
**ASSEMBLY INSTRUCTIONS**

**STEP 13**

**COMPLETE**



Inner Size : 60.75"W X 82.00"D



Note : Dimension tolerance  $\pm 5\%$

# ASSEMBLY INSTRUCTIONS



*Fine Furniture for every stage of life*

***Nightstand***

# ASSEMBLY INSTRUCTIONS

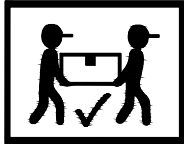
## ASSEMBLY TIPS:

1. Remove hardware from box and sort by size.
2. Please check to see that all hardware and parts are present prior to start of assembly.
3. Please follow attached instructions in the same sequence as numbered to assure fast & easy assembly.



### WARNING!

1. Don't attempt to repair or modify parts that are broken or defective. Please contact the store immediately.
2. This product is for home use only and not intended for commercial establishments.

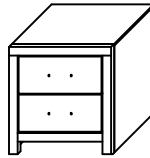


ASSEMBLY TIME

10 MINUTES

## PARTS IDENTIFICATION

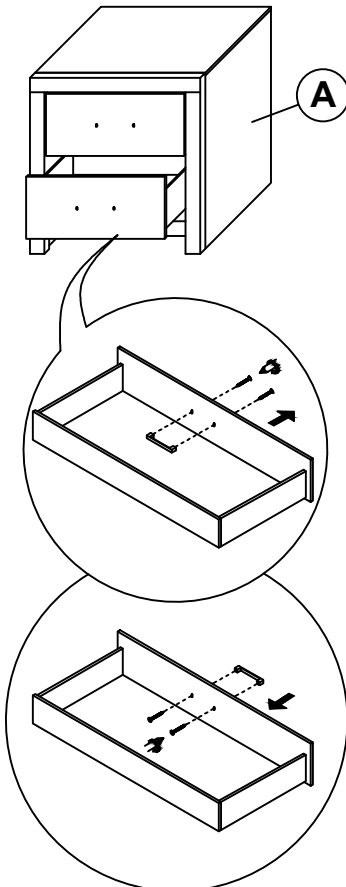
A NIGHTSTAND 1 PC



### NOTE:

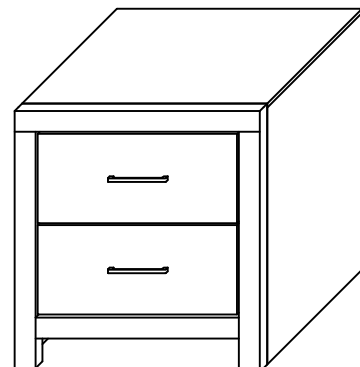
Phillips head screw driver is required in the assembly process; however, manufacturer does not provided this item.

## STEP 1

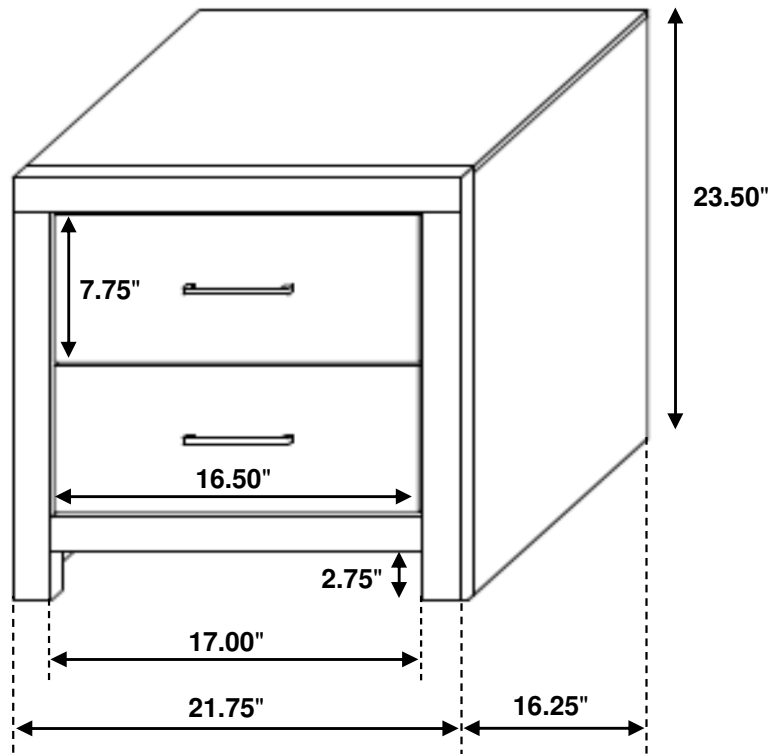


## STEP 2

### COMPLETE



**Inner size of drawer: 15.00"W X 12.75"D X 5.00"H**



**Note: Dimension tolerance  $\pm 5\%$**

# ASSEMBLY INSTRUCTIONS



*Fine Furniture for every stage of life*

***Dresser***

# ASSEMBLY INSTRUCTIONS

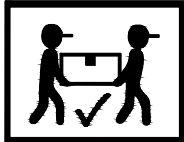
## ASSEMBLY TIPS:

1. Remove hardware from box and sort by size.
2. Please check to see that all hardware and parts are present prior to start of assembly.
3. Please follow attached instructions in the same sequence as numbered to assure fast & easy assembly.



### WARNING!

1. Don't attempt to repair or modify parts that are broken or defective. Please contact the store immediately.
2. This product is for home use only and not intended for commercial establishments.

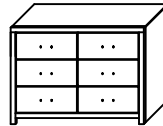


ASSEMBLY TIME

10 MINUTES

## PARTS IDENTIFICATION

A DRESSER

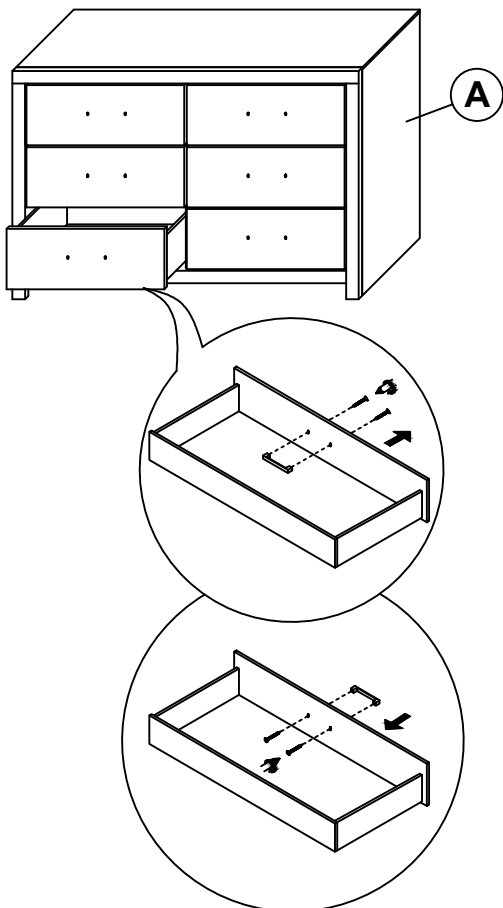


1 PC

### NOTE:

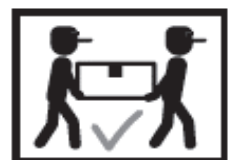
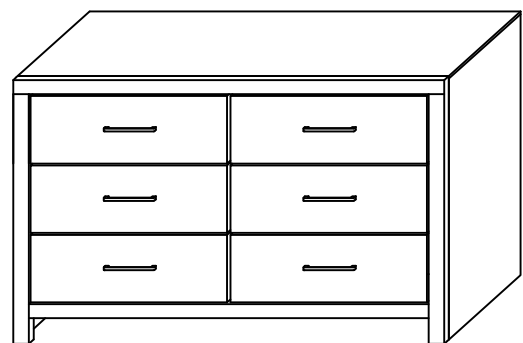
Phillips head screw driver is required in the assembly process; however, manufacturer does not provided this item.

## STEP 1



## STEP 2

## COMPLETE



# ANTI-TIPPING INSTALLMENT INSTRUCTIONS

## FURNITURE TIPPING RESTRAINT

### WARNING

Injury may result from tipping furniture.

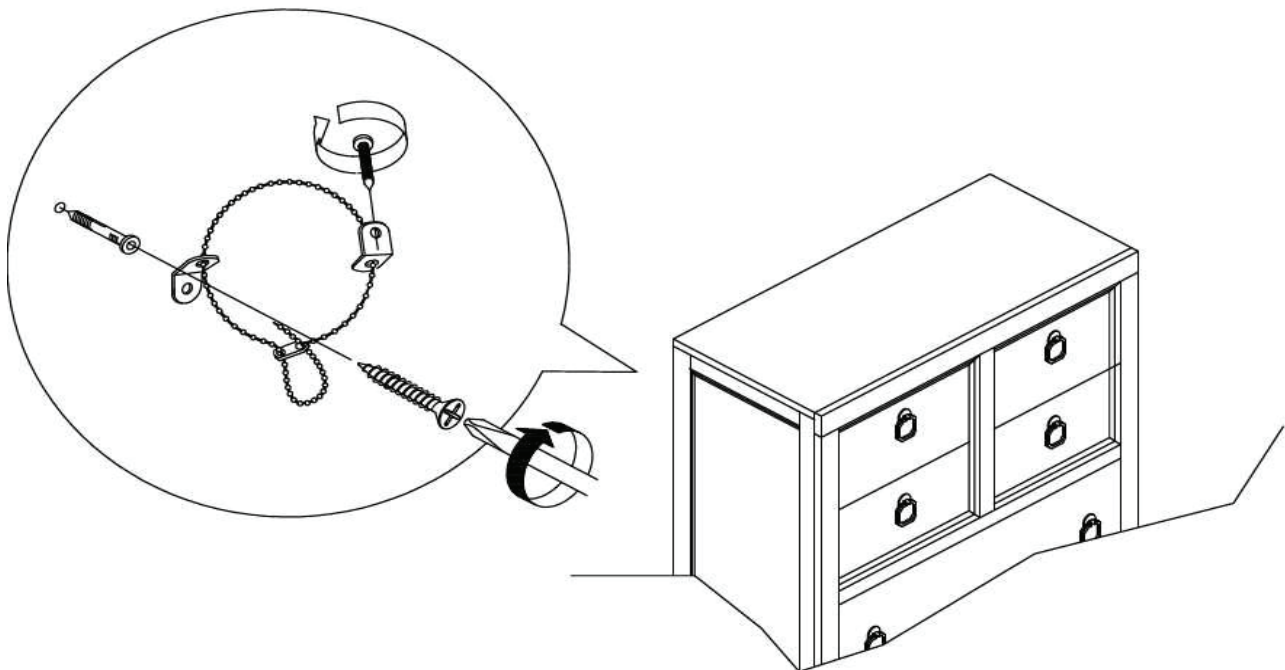
This restraint may protect against tipping furniture.

Do not allow children to climb on furniture.

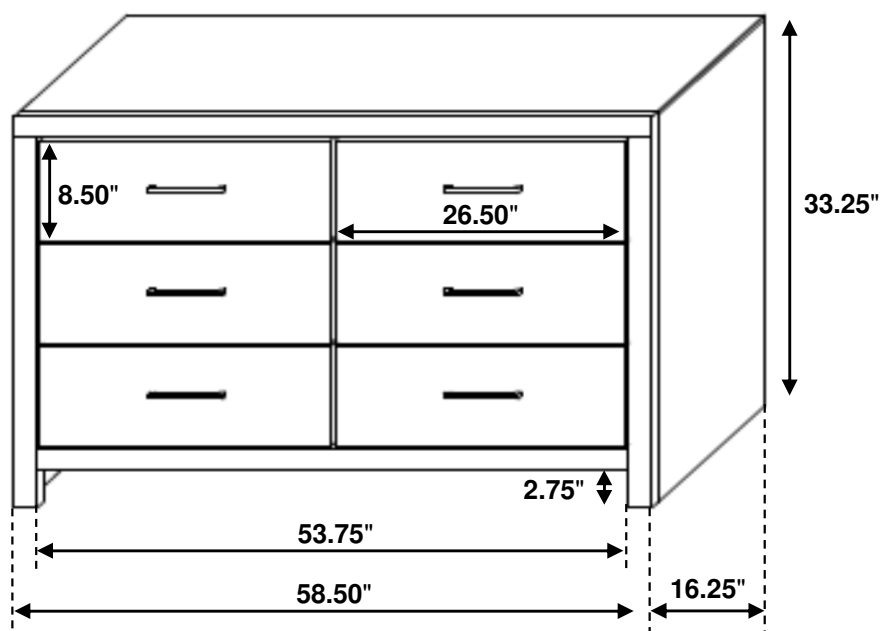
This restraint is not a substitute for proper adult supervision.

Failure to detach this restraint before moving the furniture may result in injury and damage.

1. Attach one of the mounting brackets securely to the back edge of the furniture. Use the short screw.
2. Determine where the furniture is to be placed and mark location on the wall for the mounting bracket screw hole approximately 2" below the bracket mounted to the edge of the furniture.
3. Drill a 3/16" hole in the wall. Press the plastic wall plug into the hole and gently tap until the flange on the wall plug is against the wall surface.
4. Position the bracket over the wall plug and use the long screw to securely attach the bracket to the wall.
5. Place the furniture so the bracket on the back edge is in line with the bracket on the wall.
6. Lace an end of the cable tie down through each bracket. Bring both ends together and slide the beaded end of the cable tie through the keyhole shaped slot on the other end until snug. Pull down on the beaded end until it snap locks into the keyhole slot.
7. To double lock return the beaded end back through the keyhole as shown.
8. Check to make sure the cable tie is securely laced and locked to the brackets.



**Inner size of drawer: 23.00"W X 12.75"D X 5.00"H**



**Note: Dimension tolerance  $\pm 5\%$**

# ASSEMBLY INSTRUCTIONS



*Fine Furniture for every stage of life*

**Mirror**

# ASSEMBLY INSTRUCTIONS

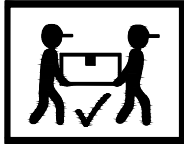
## ASSEMBLY TIPS:

1. Remove hardware from box and sort by size.
2. Please check to see that all hardware and parts are present prior to start of assembly.
3. Please follow attached instructions in the same sequence as numbered to assure fast & easy assembly.



### WARNING!




1. Don't attempt to repair or modify parts that are broken or defective. Please contact the store immediately.
2. This product is for home use only and not intended for commercial establishments.







ASSEMBLY TIME

10 MINUTES

## PARTS IDENTIFICATION

A	MIRROR		1 PC
B	MIRROR SUPPORT (PACKED WITH MIRROR)		2 PCS
C	DRESSER *FROM BOX		1 PC

## HARDWARE IDENTIFICATION

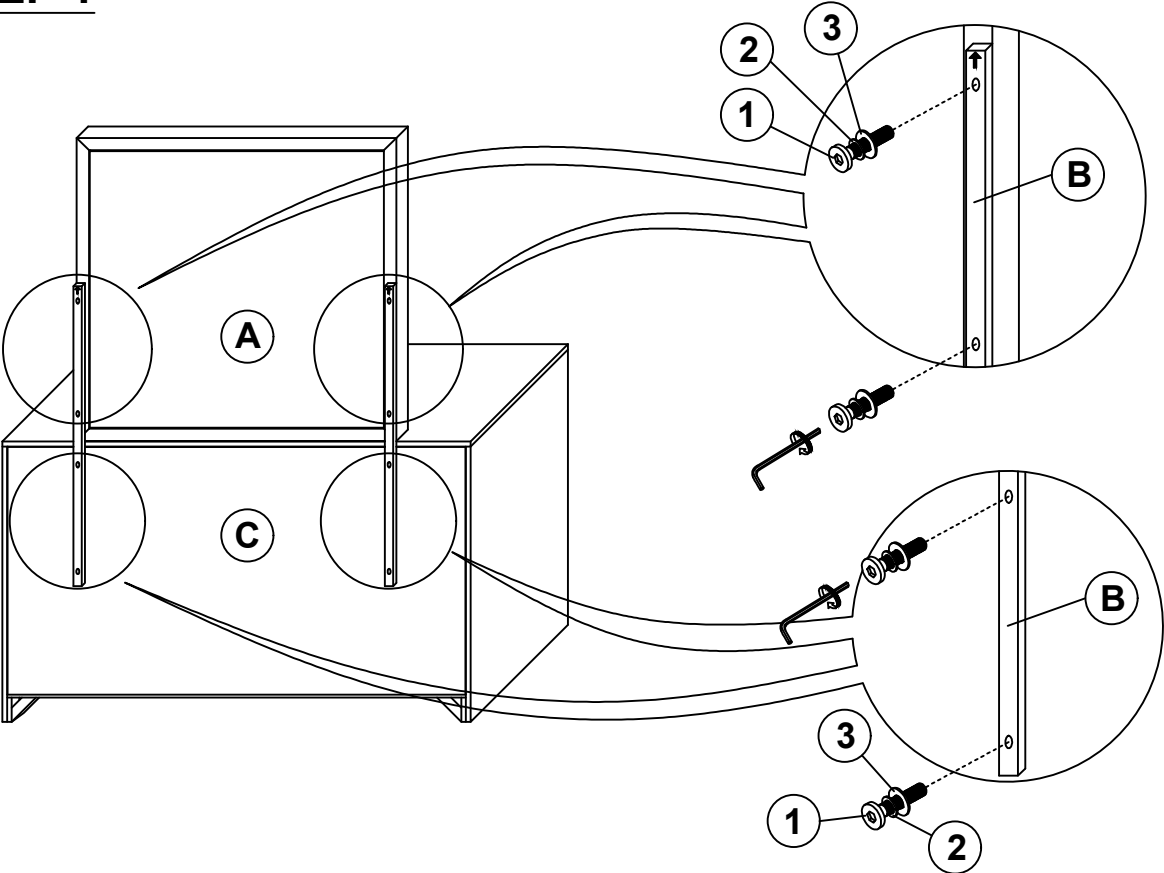
1	BOLT (M6 x 40mm - RBW)		8 PCS
2	LOCK WASHER (1/4" x 12ø - RBW)		8 PCS
3	FLAT WASHER (1/4" x 19ø - RBW)		8 PCS
4	ALLEN WRENCH (M4 x 65mm - BLK)		1 PC

### NOTE:

Phillips head screw driver is required in the assembly process; however, manufacturer does not provided this item.

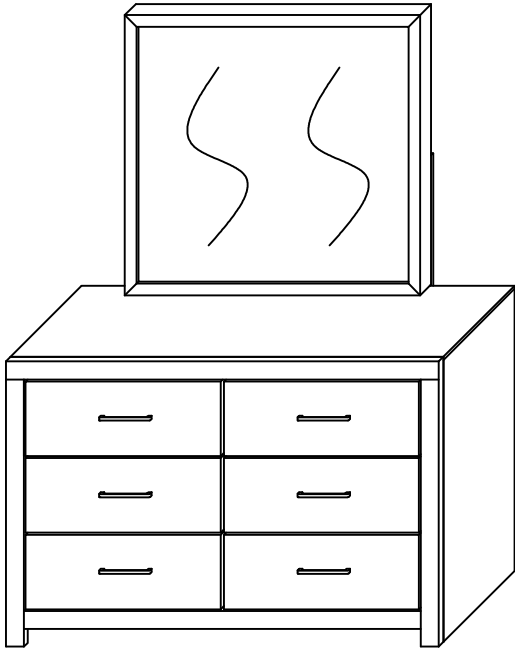
# ASSEMBLY INSTRUCTIONS

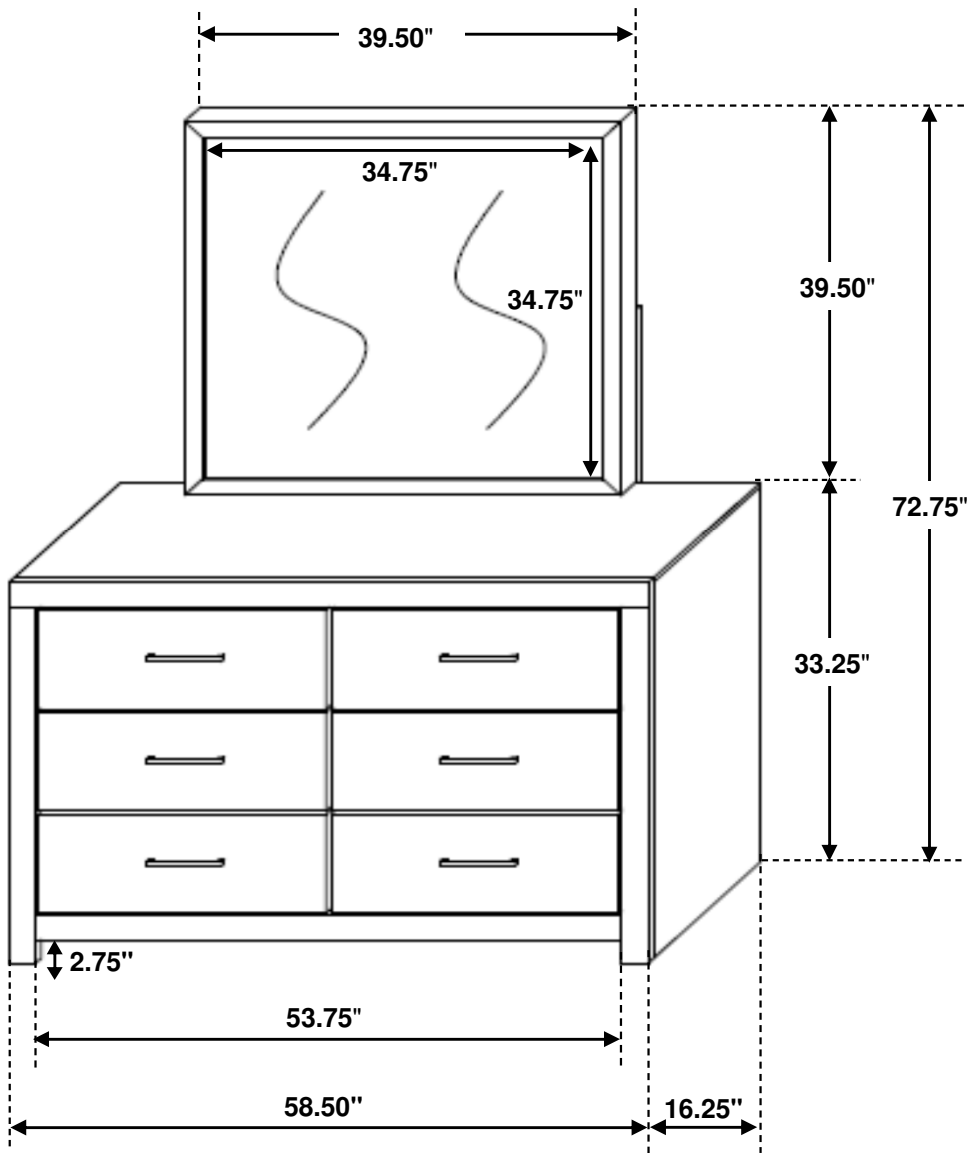
## STEP 1



## STEP 2

## COMPLETE





**Note: Dimension tolerance  $\pm 5\%$**