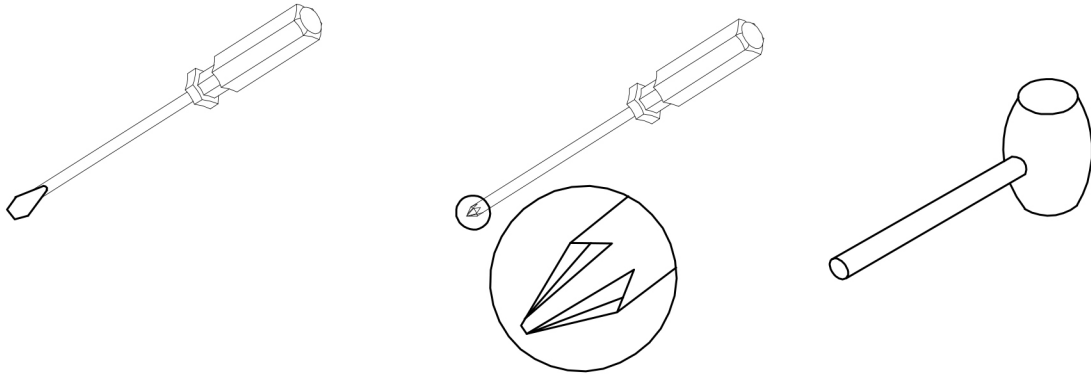
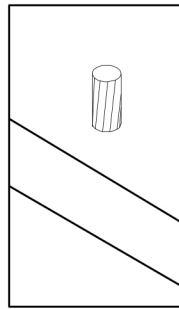
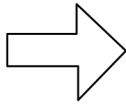
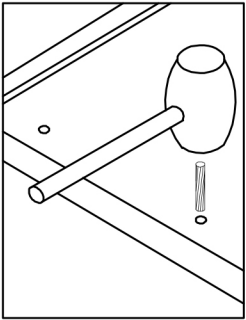


1. Please read this assembly instructions carefully before assembling the product;
2. Keep your product away from sulfuric acid and hot or burning sources; Do not expose the product directly to sunlight.

## ASSEMBLY TOOLS REQUIRED (NOT INCLUDED)



### Wooden dowel installation



**Gently tap dowel into hole with rubber mallet.**

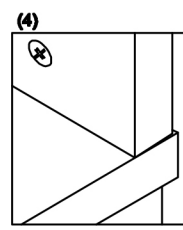
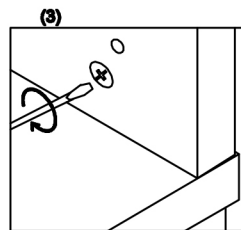
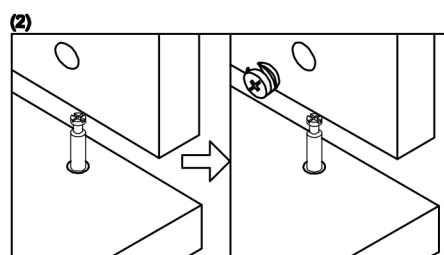
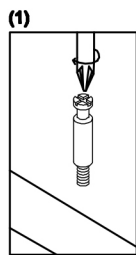
**\* Before discarding packing materials, please check all parts and hardware are presented.**

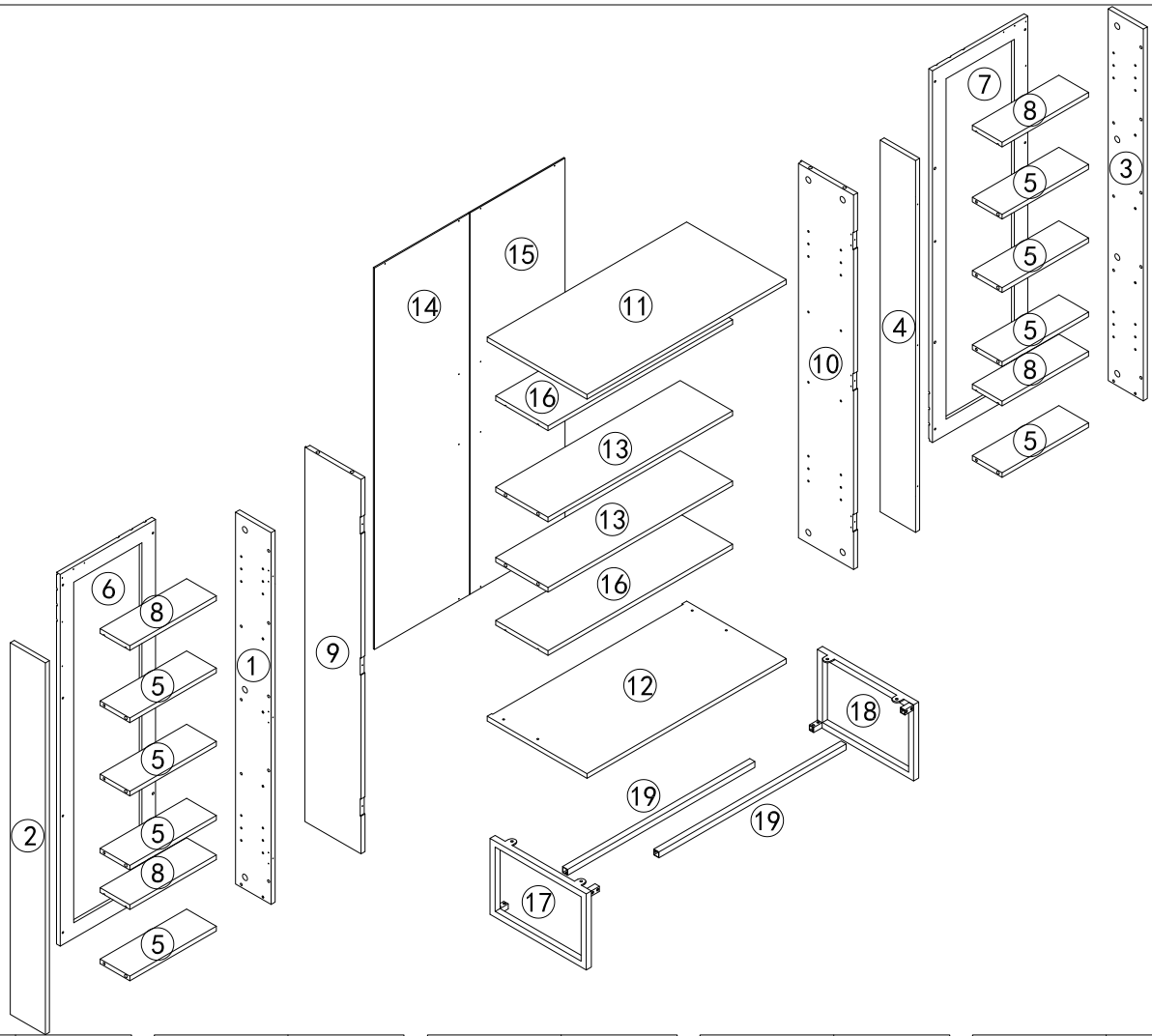
**\* Please follow the instructions closely.**

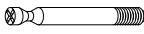


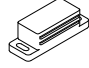


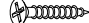
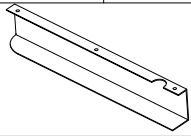
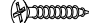
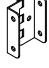
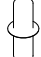
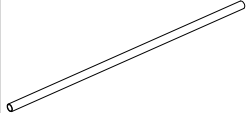



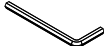
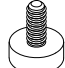

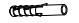


**\* After few days of initial assembly, the product may has acclimated to new environment, please tighten all hardware again.**

### Hidden connector.....

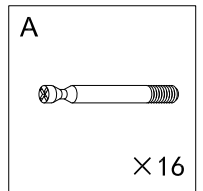
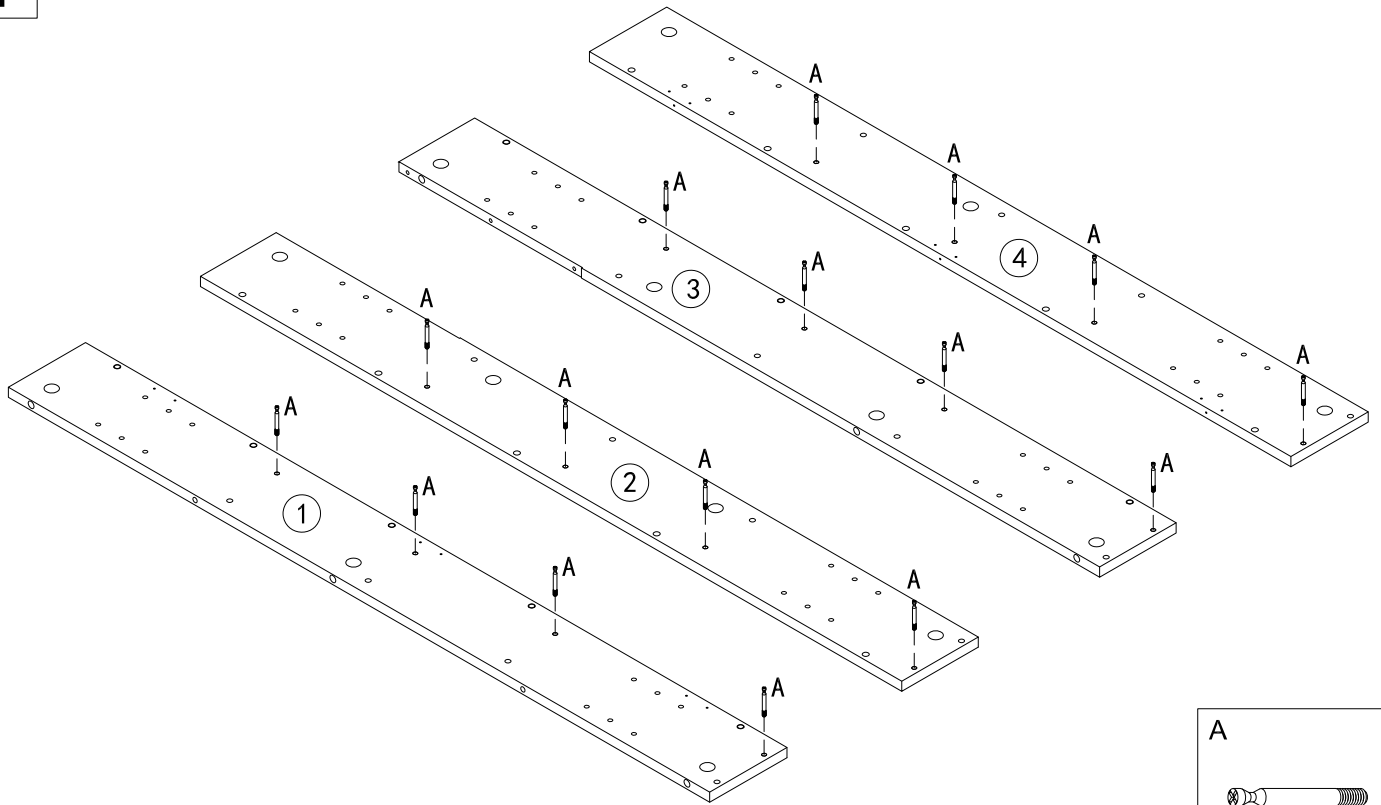
### Assembly Techniques



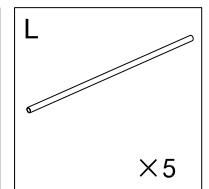
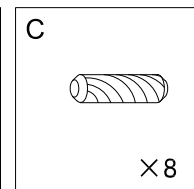
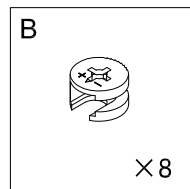
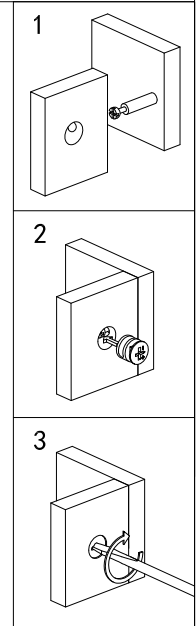
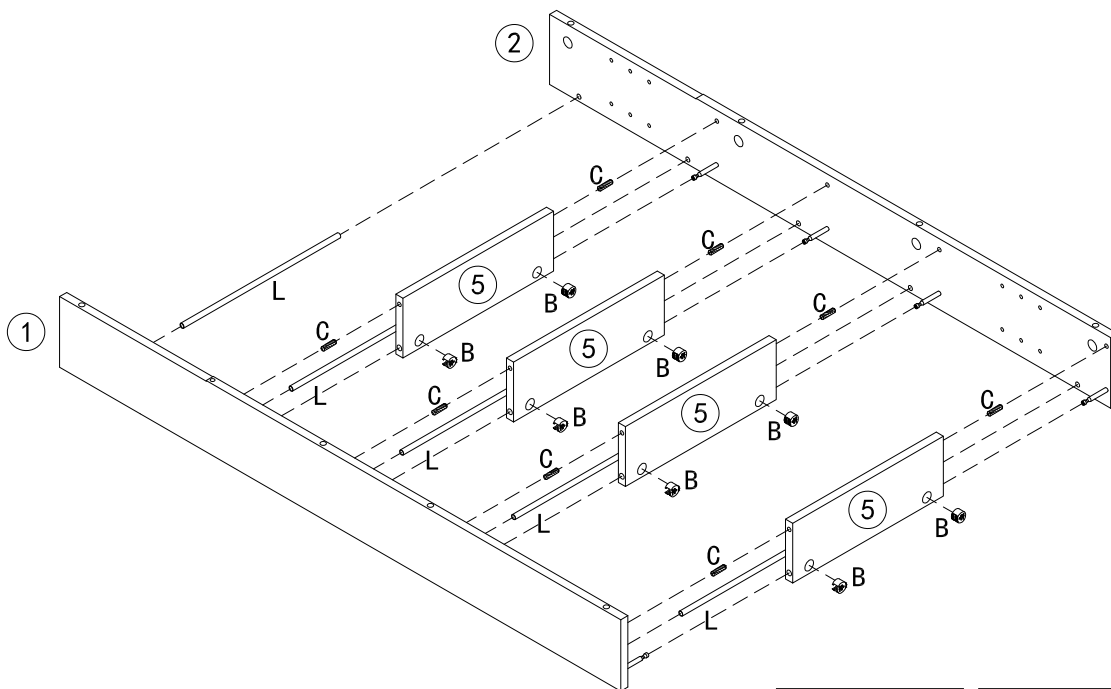


<p>A                    ×46</p>  <p>φ6×27.5mm</p>	<p>B                    ×46</p>  <p>φ10×15mm</p>	<p>C                    ×20</p>  <p>φ6×30mm</p>	<p>D                    ×2</p>  <p>45×16×14mm</p>	<p>E                    ×4</p>  <p>FA3×14mm</p>
<p>F                    ×2</p>  <p>45×12×1mm</p>	<p>G                    ×4</p>  <p>FA3×12mm</p>	<p>H                    ×2</p>  <p>250×(25+35+11)×1mm</p>	<p>I                    ×42</p>  <p>FA3×12mm</p>	<p>J                    ×6</p> 
<p>K                    ×24</p>  <p>5×8+5×8mm</p>	<p>L                    ×10</p>  <p>8×265mm</p>	<p>M                    ×18</p>  <p>FA3×12mm</p>	<p>N                    ×8</p>  <p>M6×14mm</p>	<p>O                    ×4</p>  <p>M6×13mm</p>
<p>P                    ×1</p> 	<p>Q                    ×4</p> 	<p>R                    ×2</p>    		

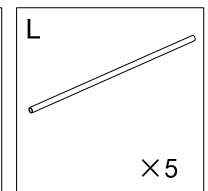
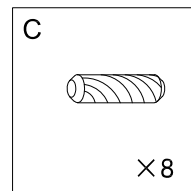
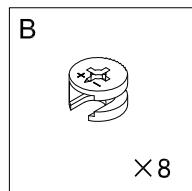
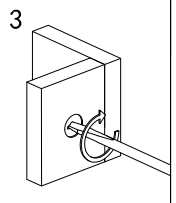
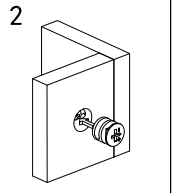
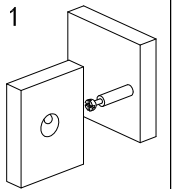
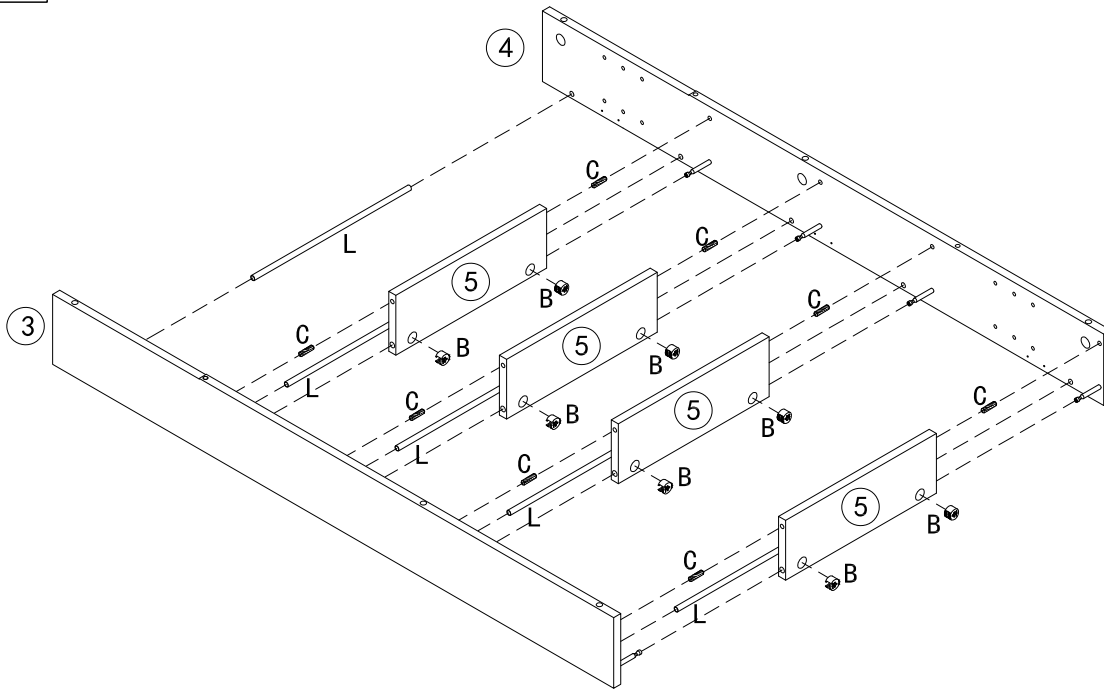
1



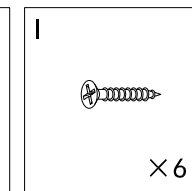
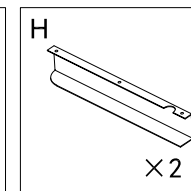
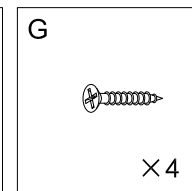
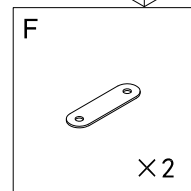
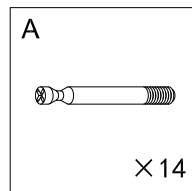
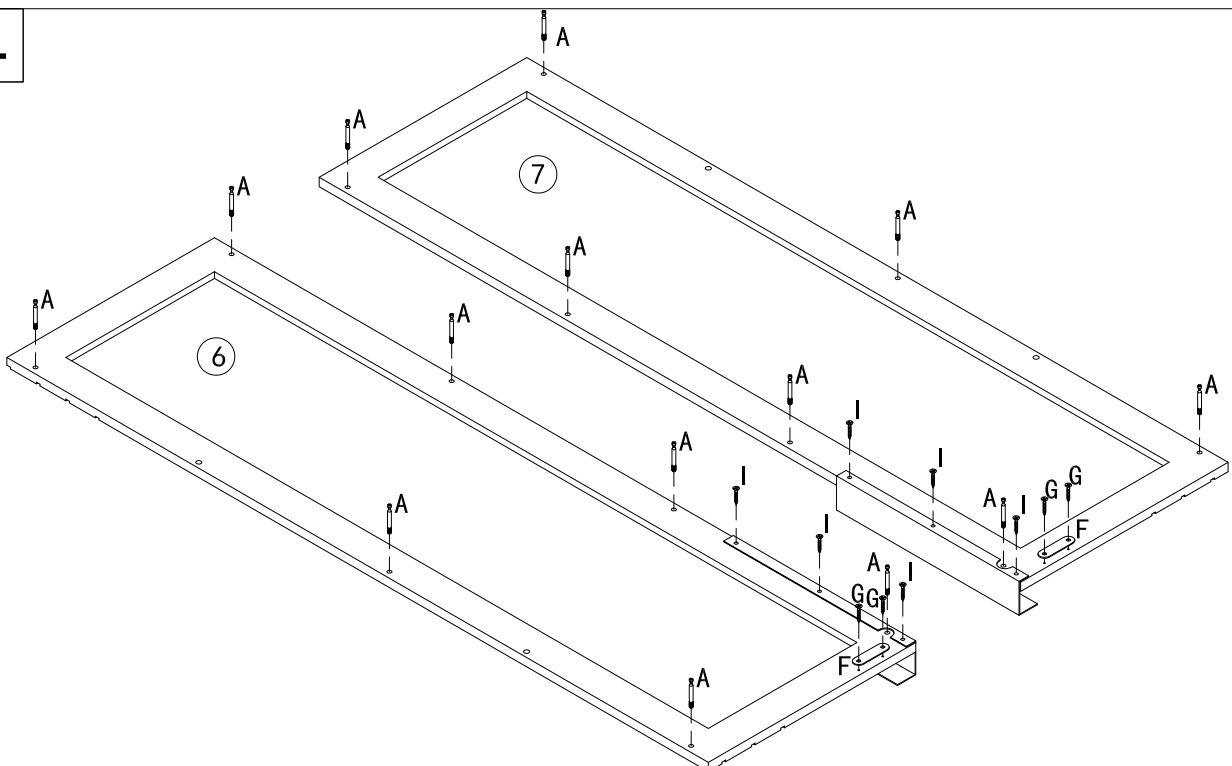
2



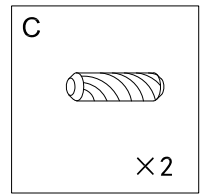
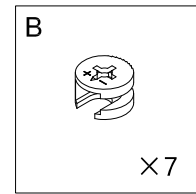
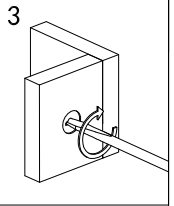
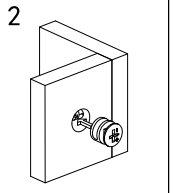
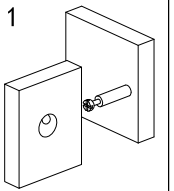
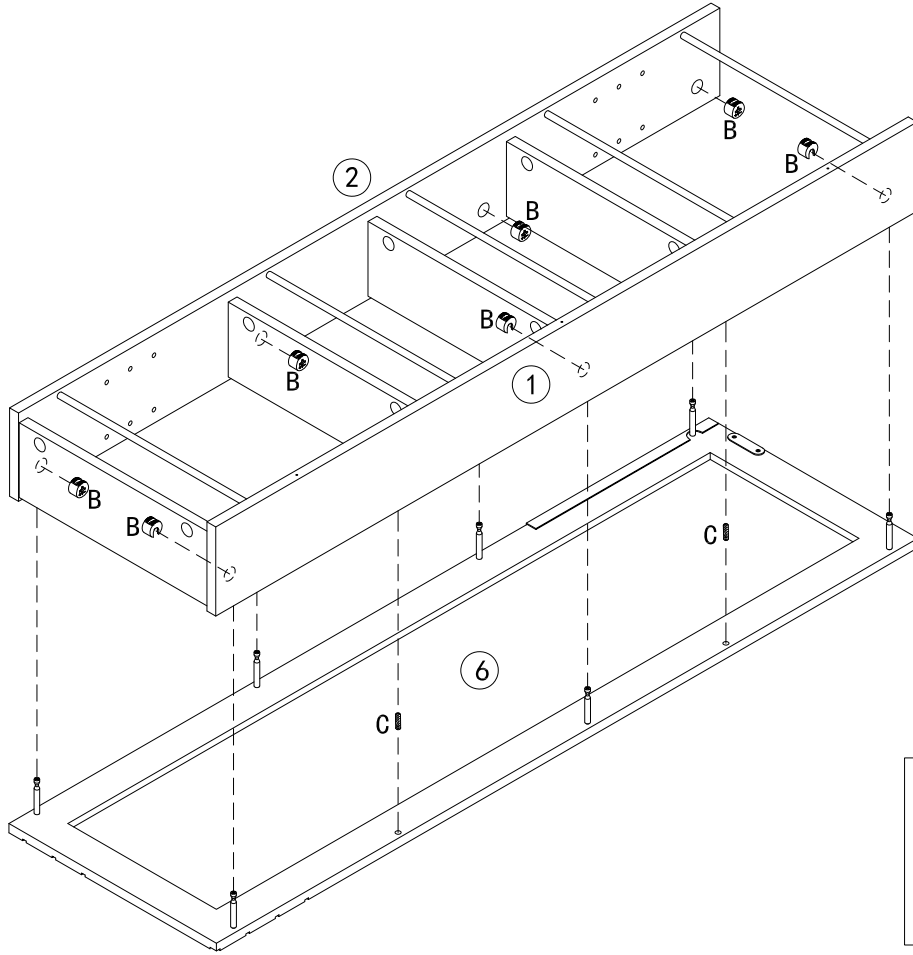
3



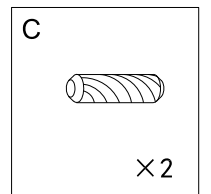
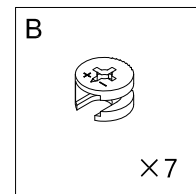
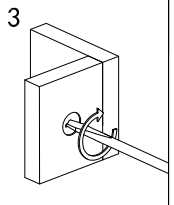
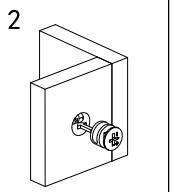
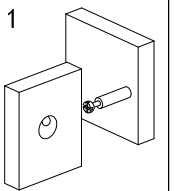
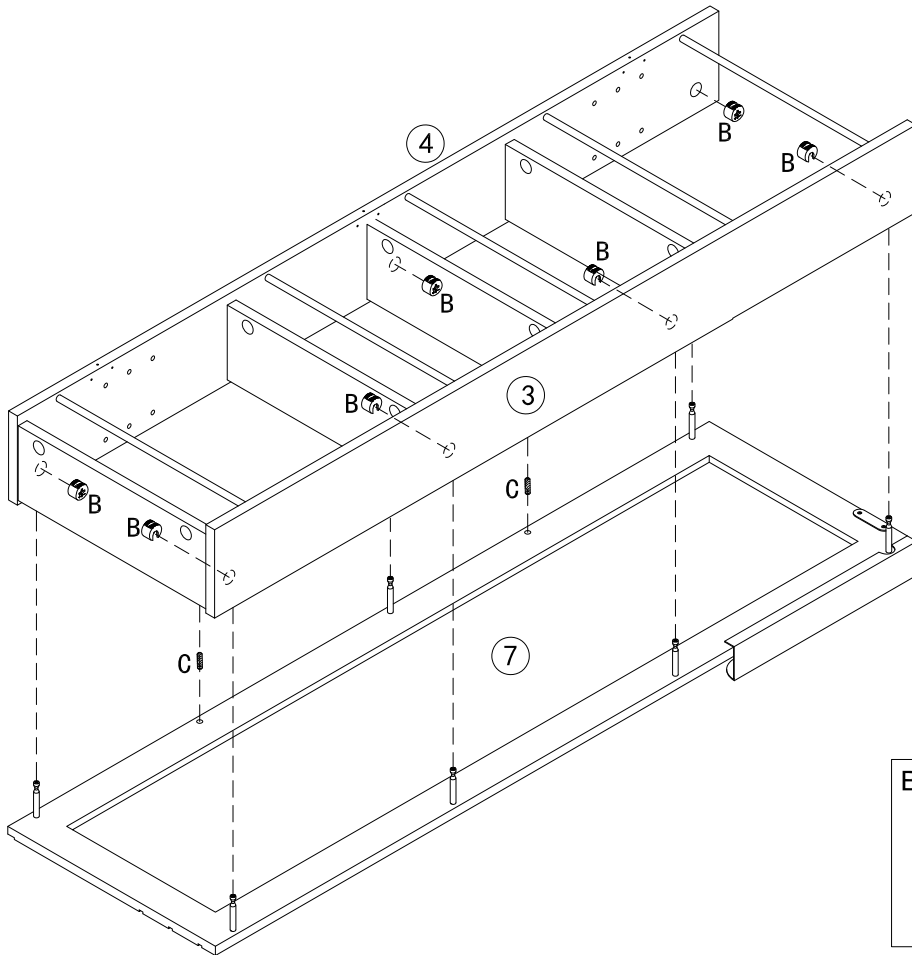
4



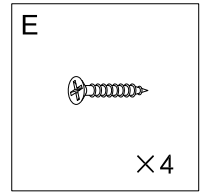
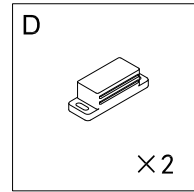
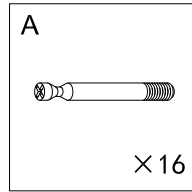
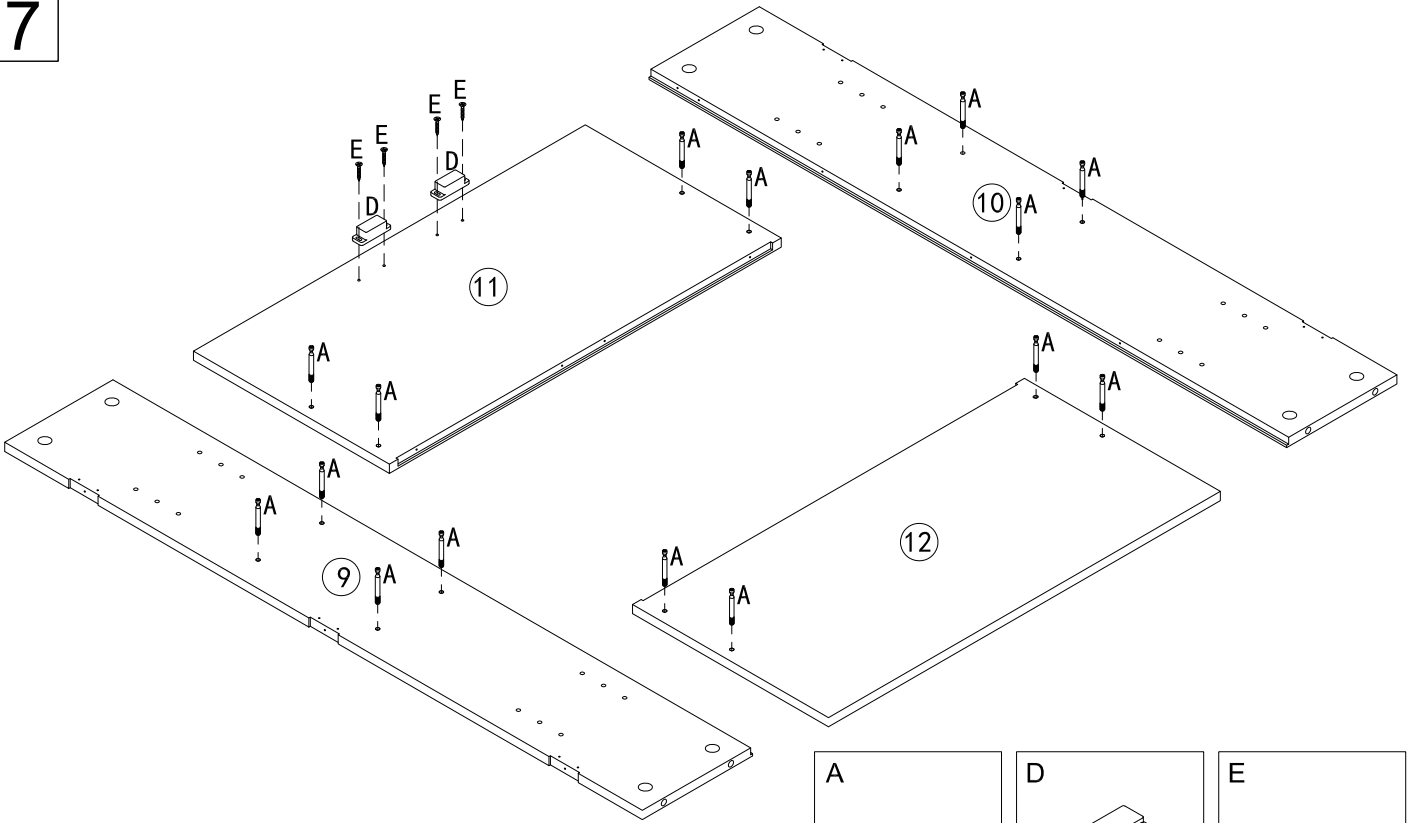
5



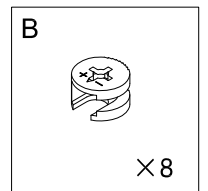
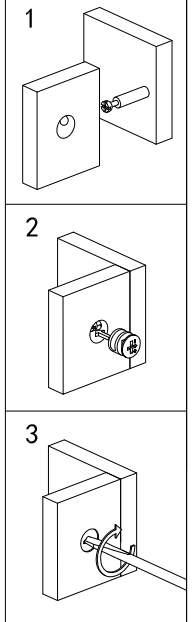
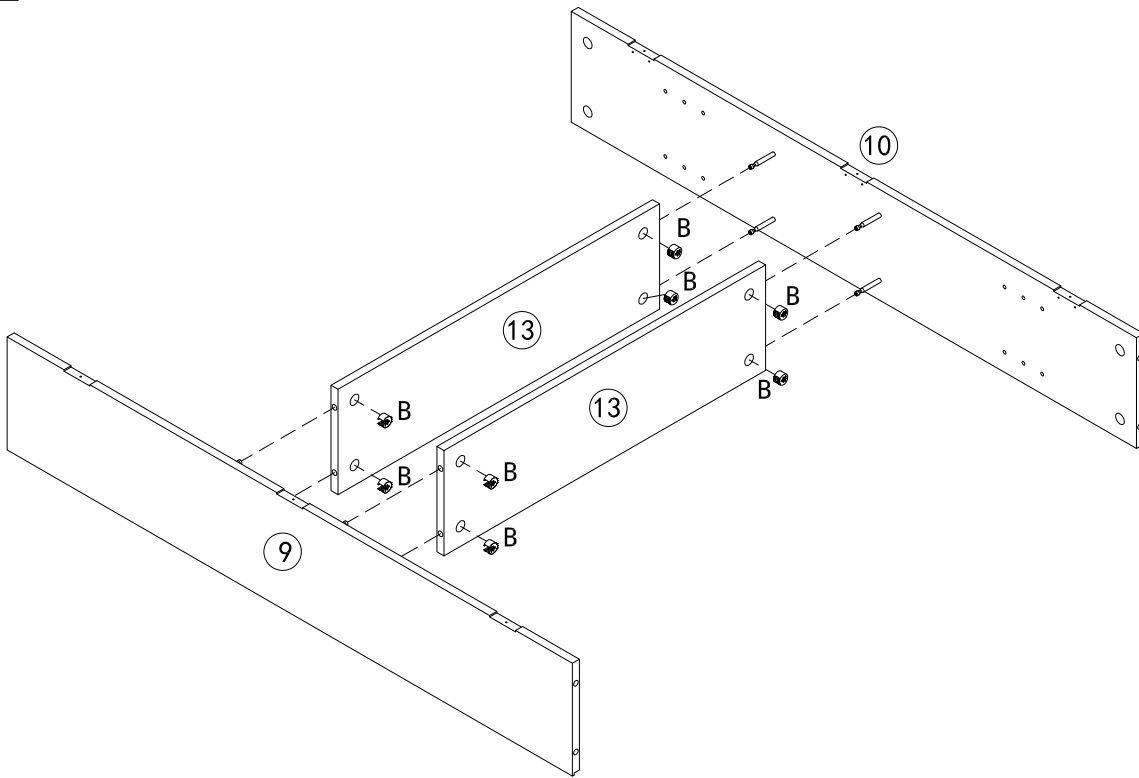
6

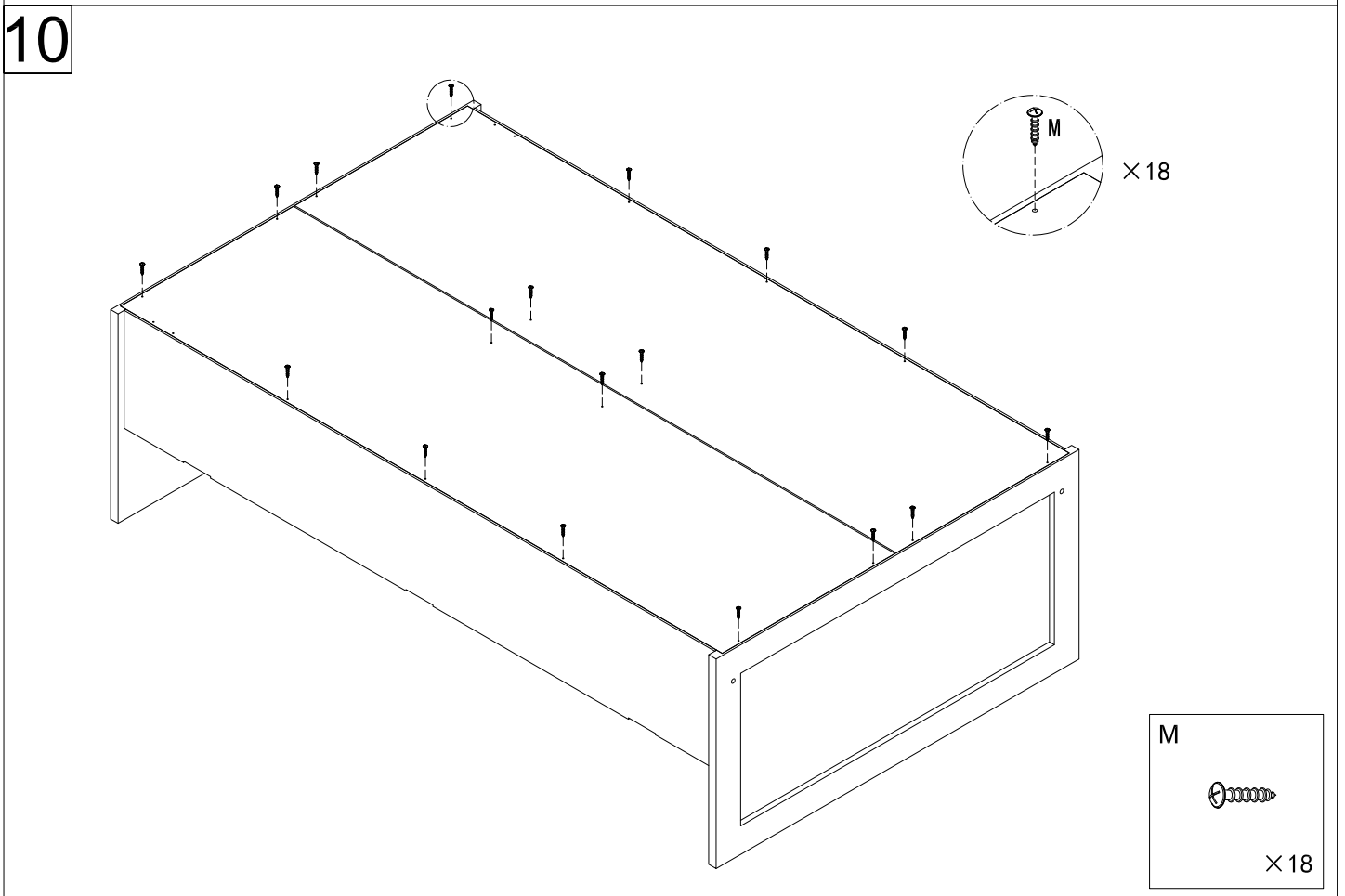
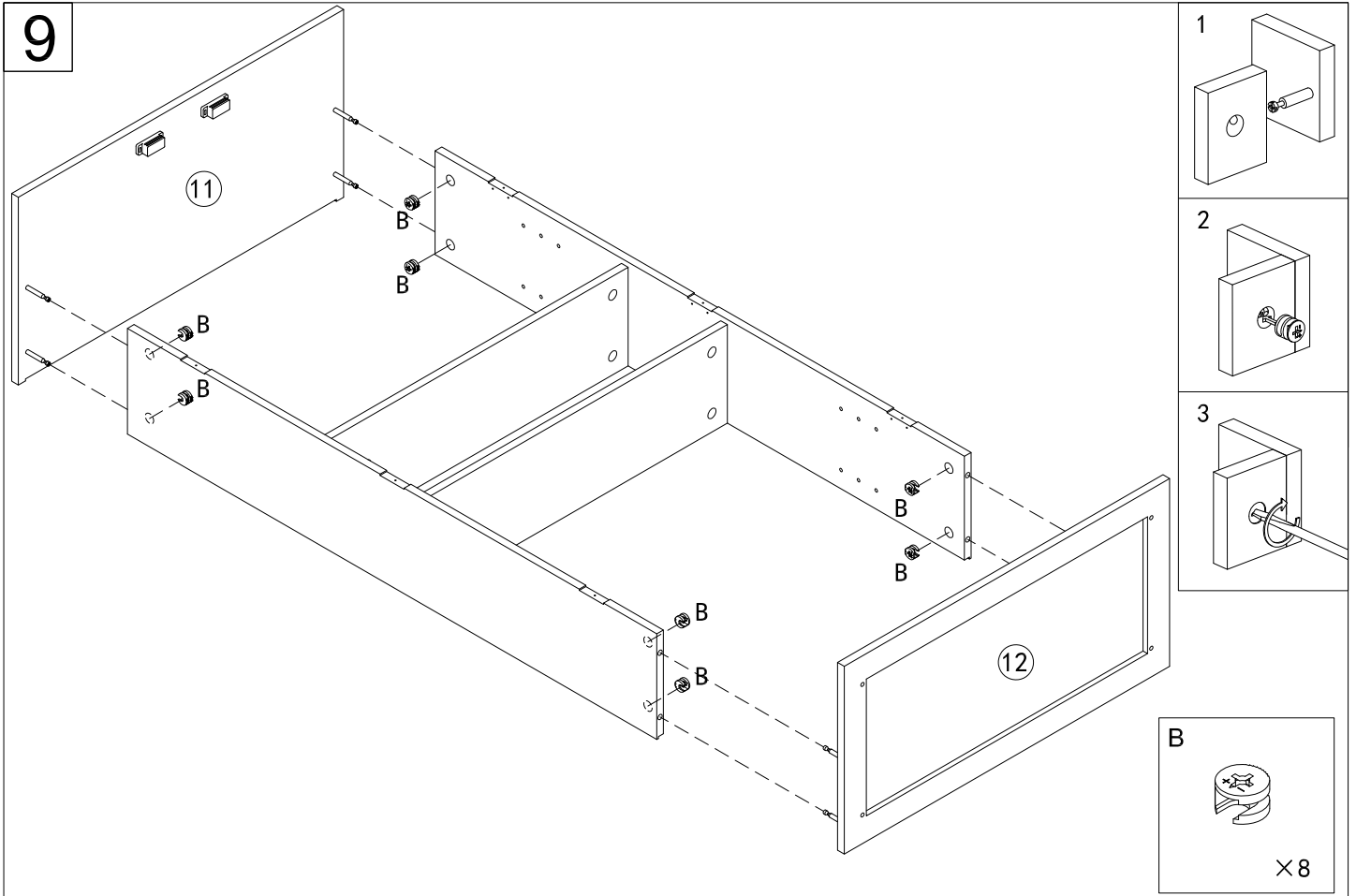


7

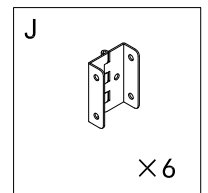
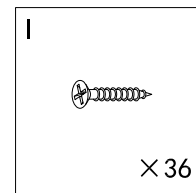
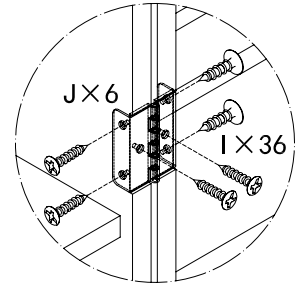
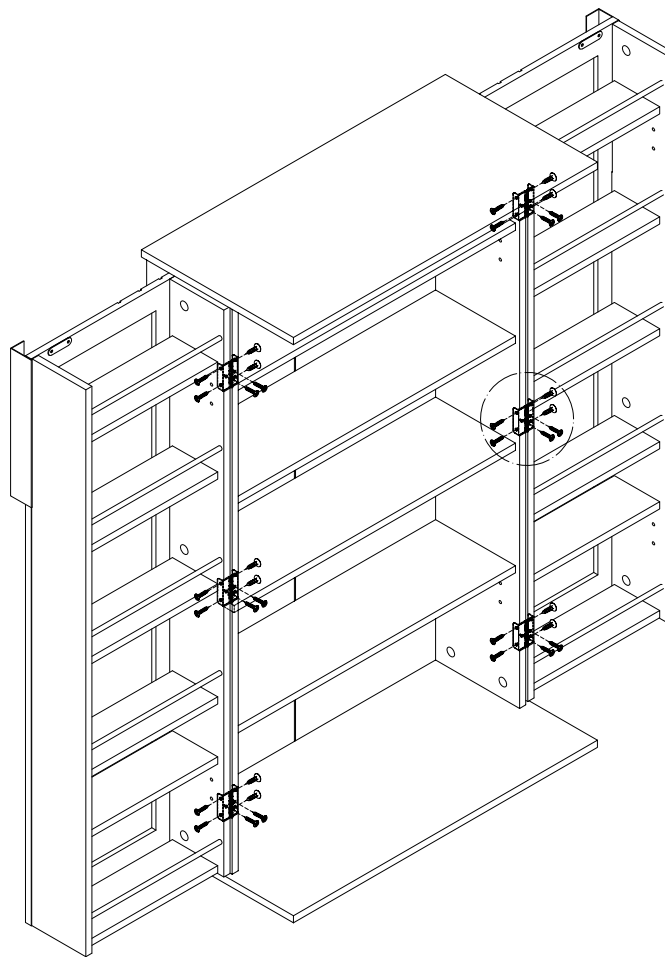


8

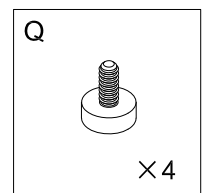
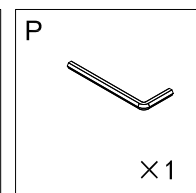
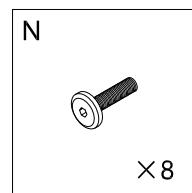
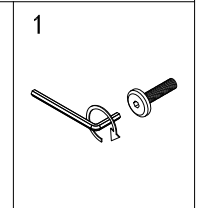
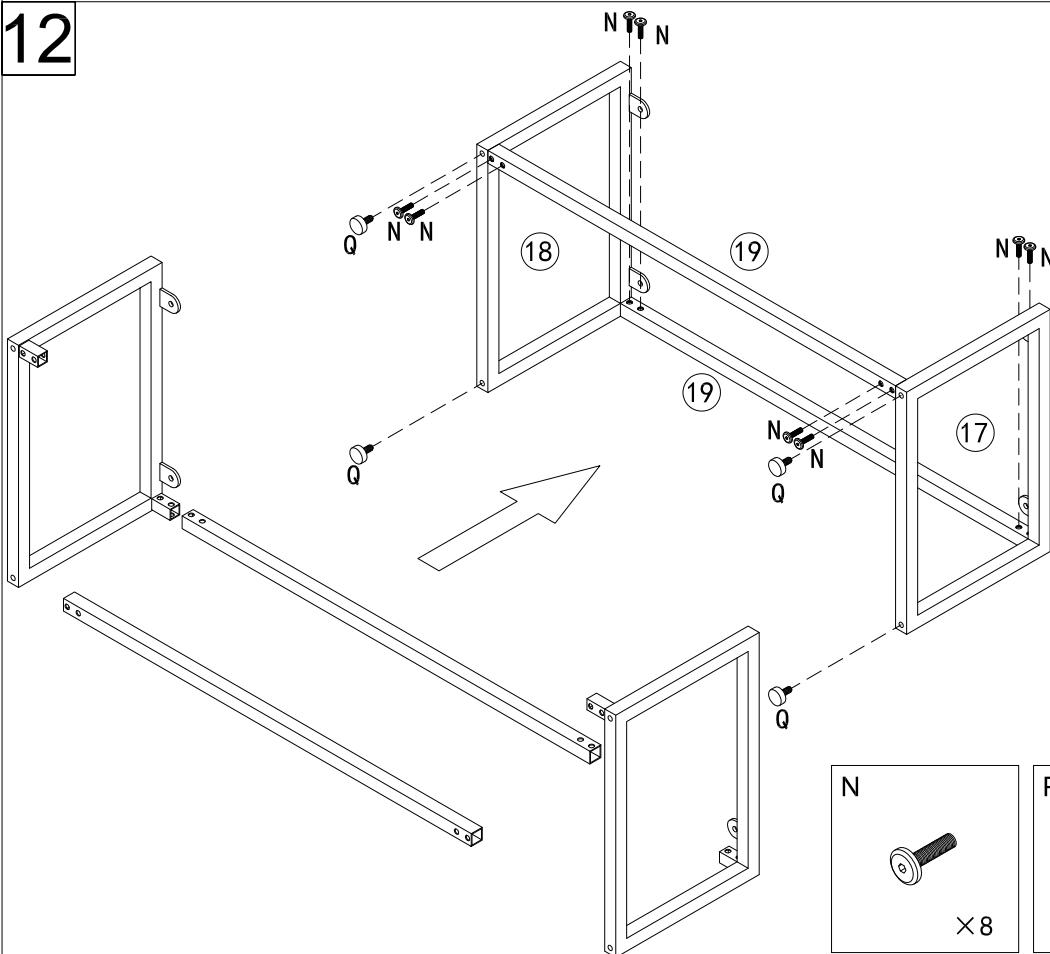




11

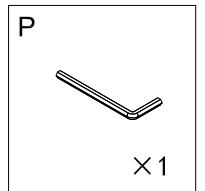
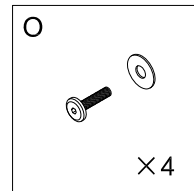
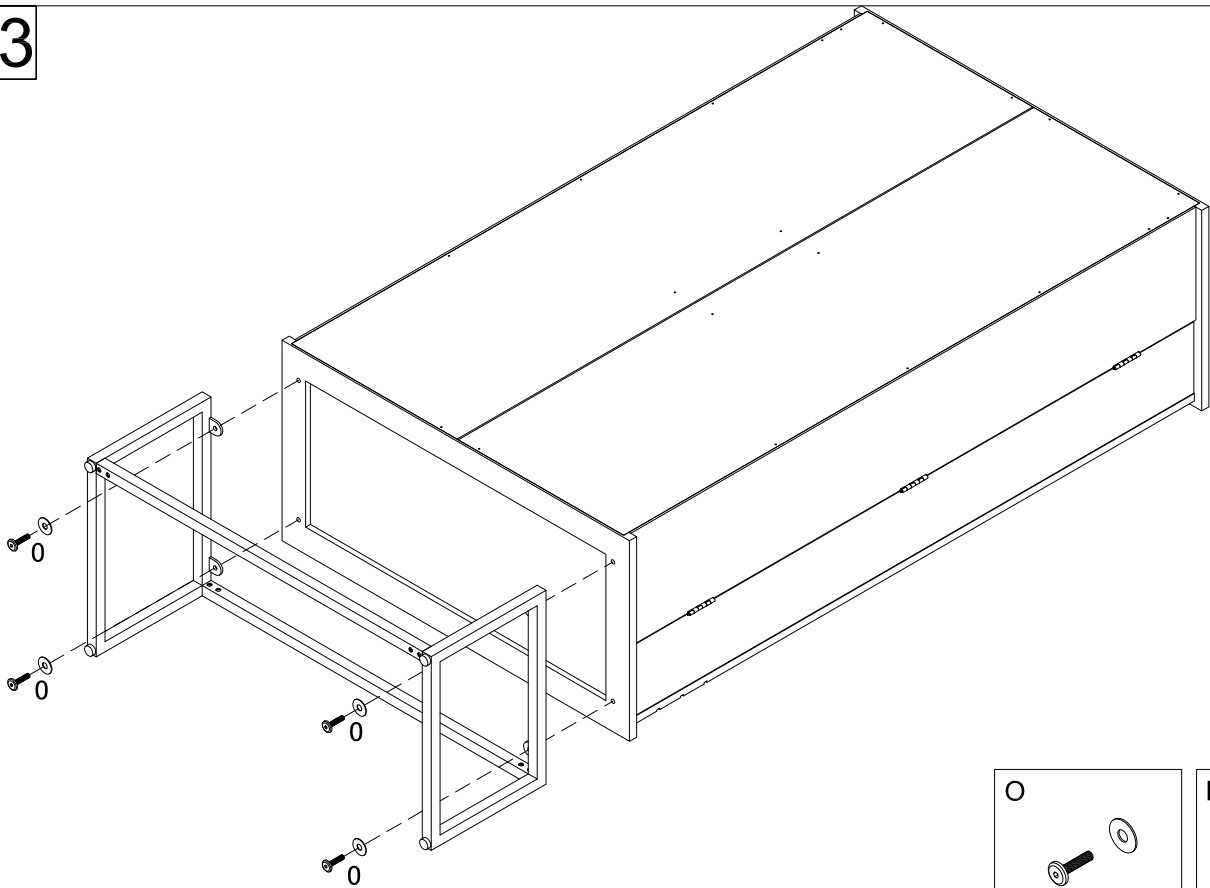
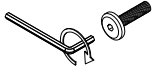


12



13

1



14

