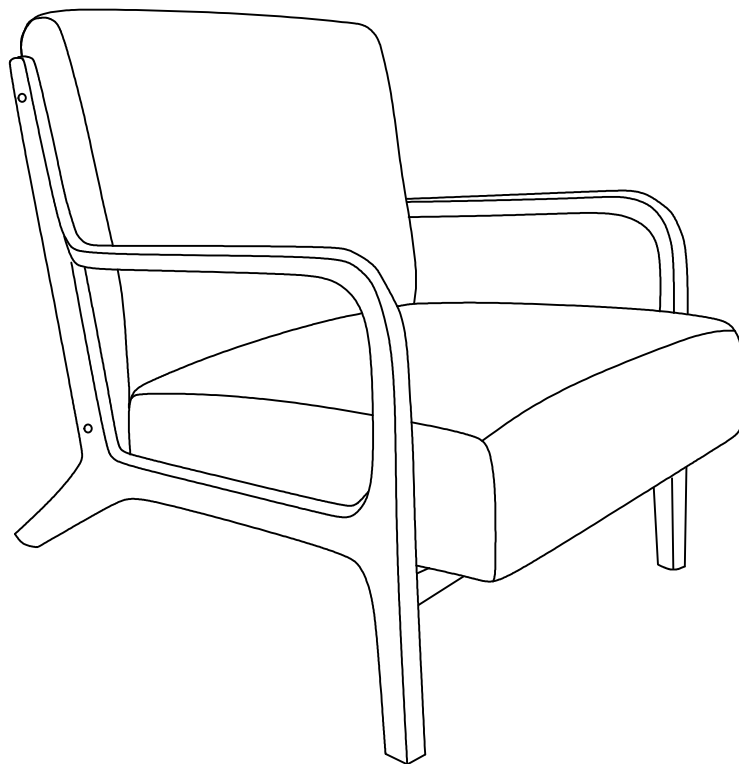


ASSEMBLY INSTRUCTIONS COASTER FINE FURNITURE



Fine Furniture for every stage of life

902271
Accent Chair

REVISION 0 : 04/09/2024

ITEM: 902271



ASSEMBLY INSTRUCTIONS

ASSEMBLY TIPS:

1. Remove hardware from box and sort by size.
2. Please check to see that all hardware and parts are present prior to start of assembly.
3. Please follow attached instructions in the same sequence as numbered to assure fast & easy assembly.



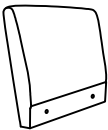



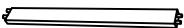
WARNING!

1. Don't attempt to repair or modify parts that are broken or defective. Please contact the store immediately.
2. This product is for home use only and not intended for commercial establishments.

ASSEMBLY TIME

10 MINUTES

PARTS IDENTIFICATION

- A BACK  1PC
- B SEAT  1PC
- C LEFT LEG FRAME  1PC
- D RIGHT LEG FRAME  1PC
- E STRETCHER  1PC

Z HARDWARE IDENTIFICATION

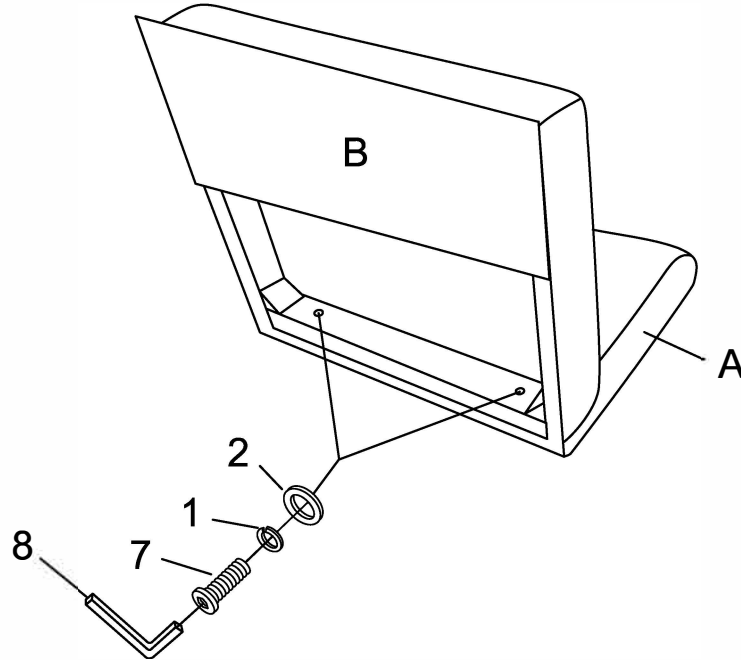
NO	DESCRIPTION	FIGURE	Q' TY
1	LOCK WASHER 5/16"		2PCS
2	FLAT WASHER 5/16"		2PCS
3	LOCK WASHER 1/4"		4PCS
4	FLAT WASHER 1/4"*19mm		4PCS
5	FLAT WASHER 1/4"*13mm		4PCS
6	BOLT 1/4X2"		8PCS
7	BOLT 5/16X2"		2PCS
8	ALLEN KEY 5mm		1PC
9	ALLEN KEY 4mm		1PC
10	SCREW		2PCS
11	WOOD CAP		4PCS

ITEM: 902271

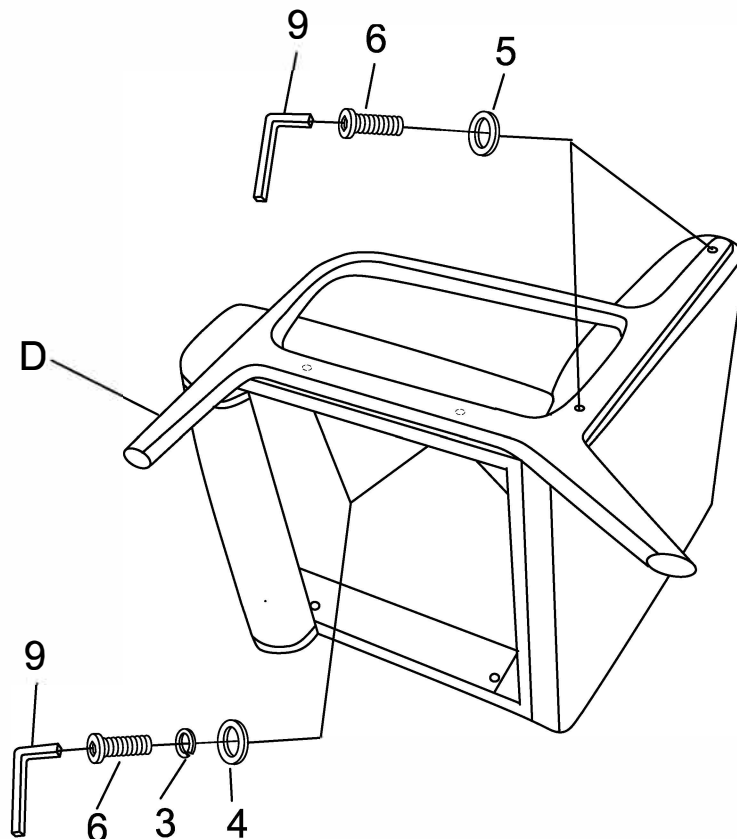


ASSEMBLY INSTRUCTIONS

STEP: 1



STEP: 2

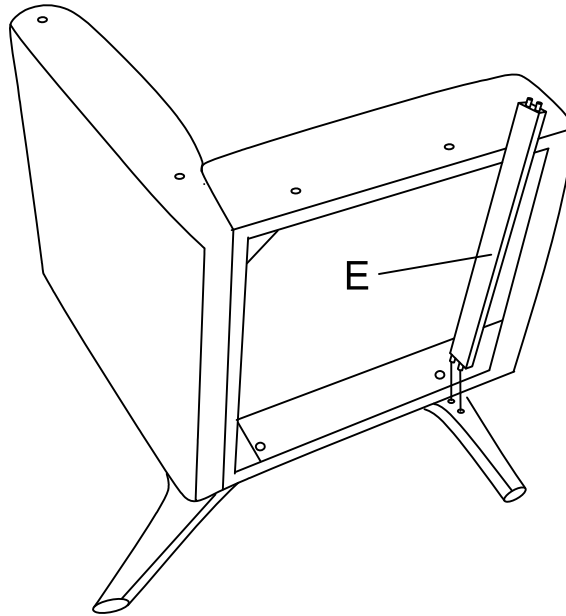


ITEM: 902271

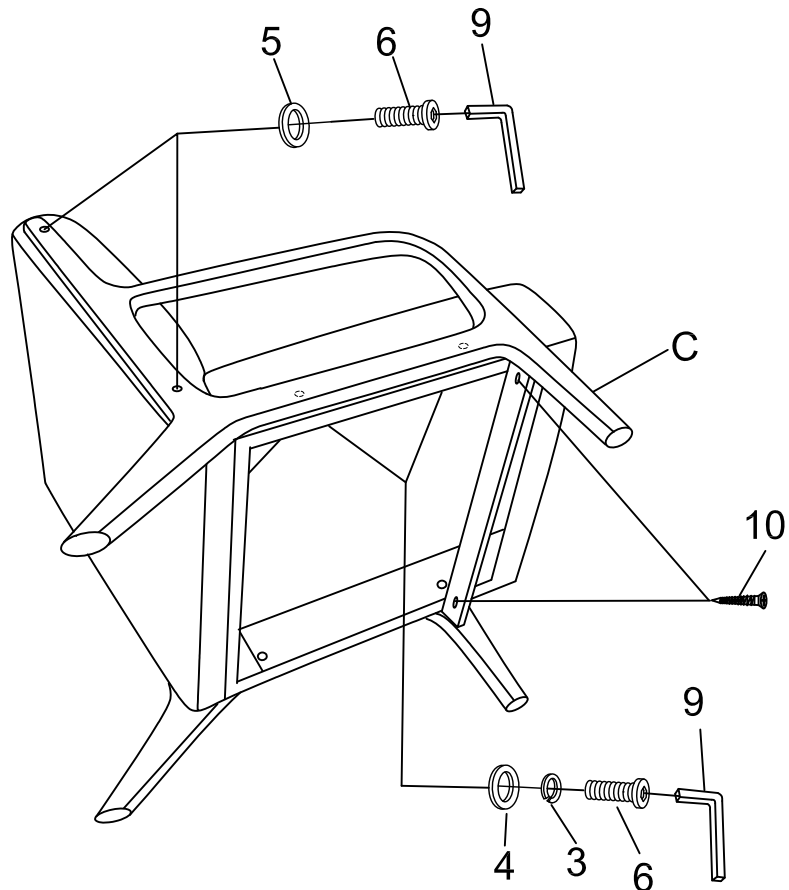


ASSEMBLY INSTRUCTIONS

STEP: 3



STEP: 4



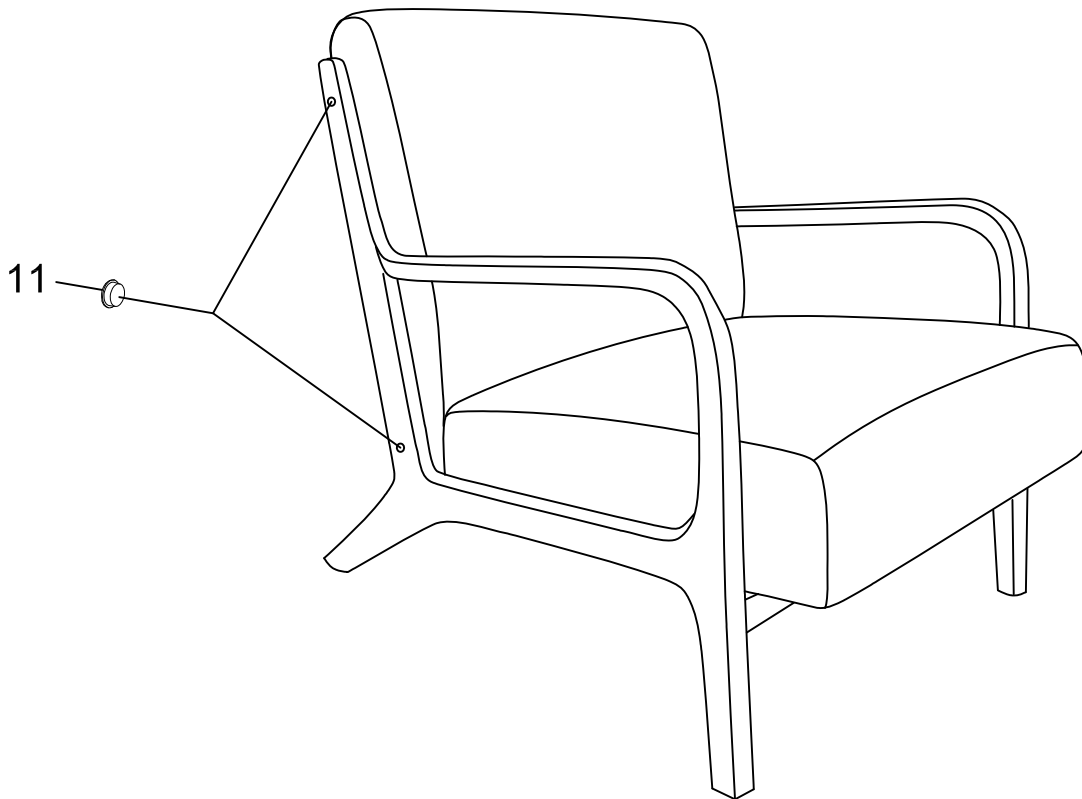
ITEM: 902271



ASSEMBLY INSTRUCTIONS

STEP:5

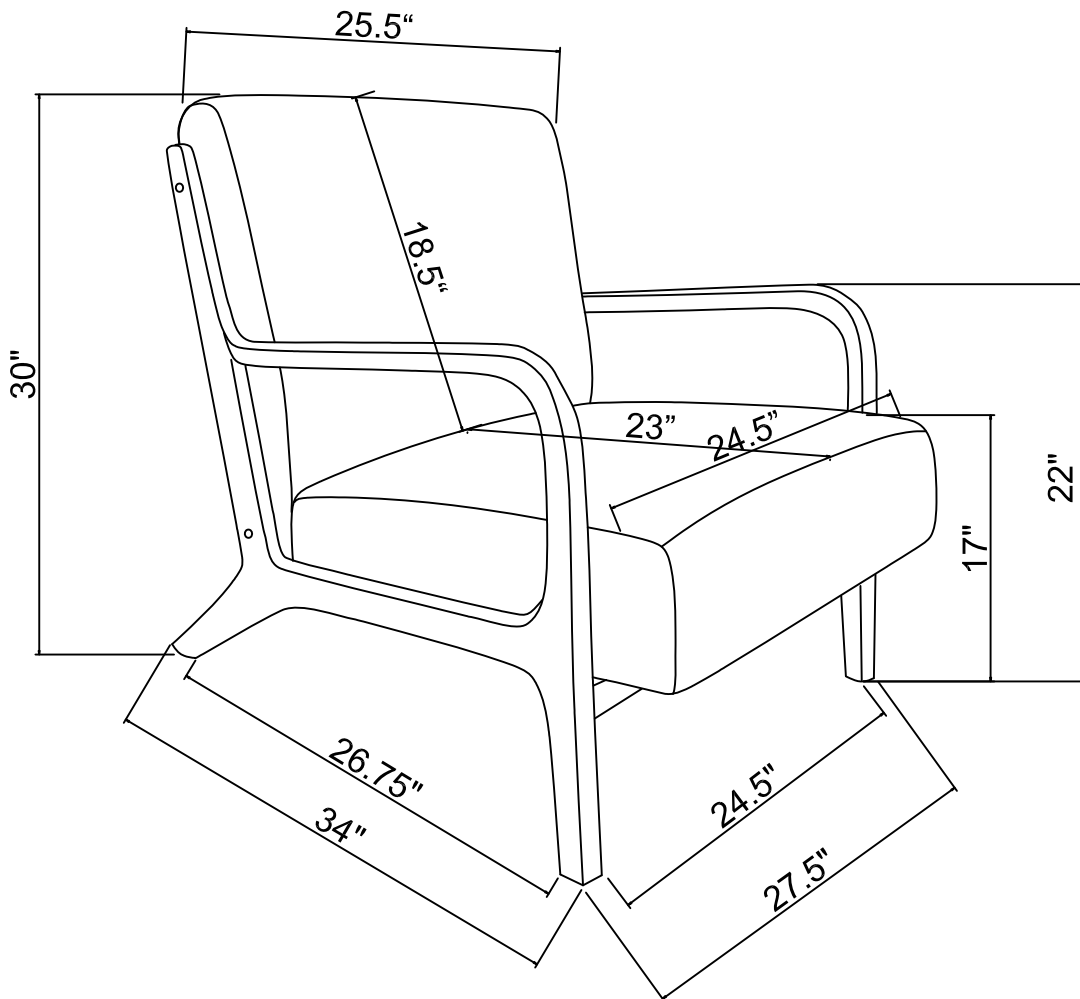
COMPLETE



ITEM: 902271



ASSEMBLY INSTRUCTIONS



Note: Dimension tolerance $\pm 5\%$