

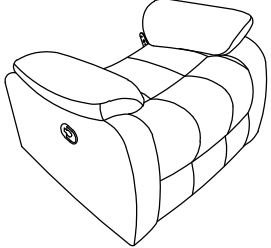
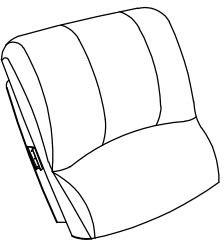
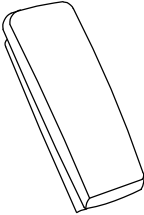
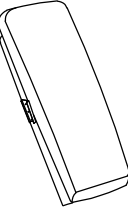
Assembly Instruction



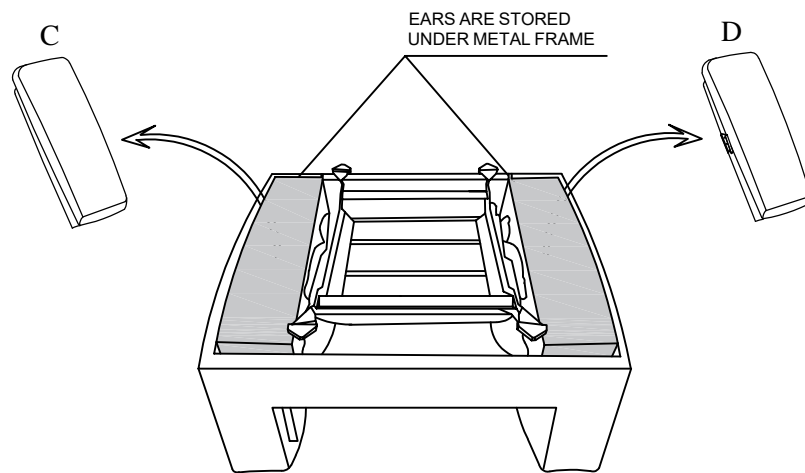
Back Rest and Ears are stored at the bottom of chair, please take out for assembly.

Note: Do not use power tools for assembly. Power tools increase the risk of over tightening which lead to spliting or cracking the wood.

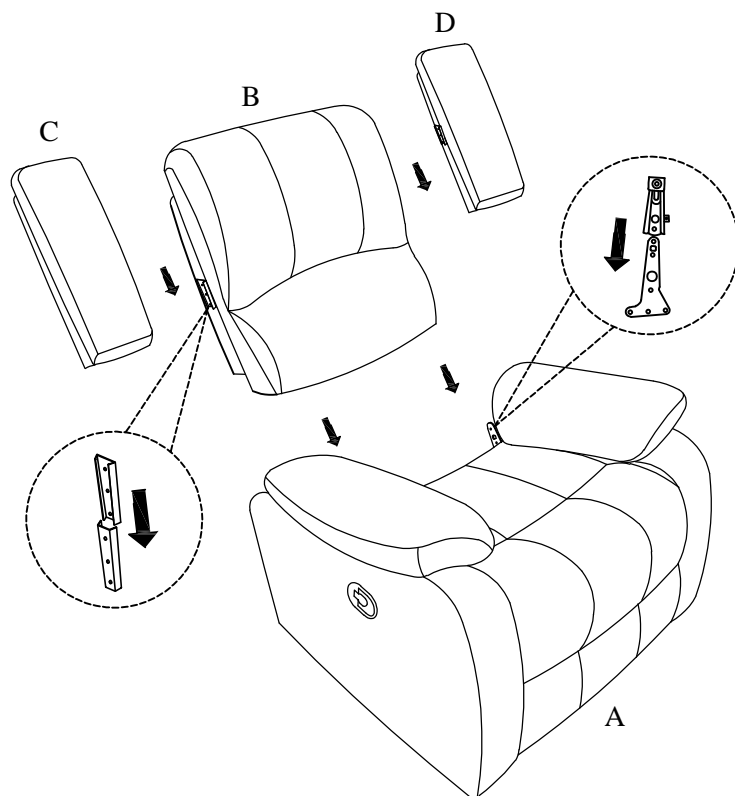
Component list

| No | Drawing | Qty | Description |
|----------|---|----------|------------------|
| A |  | 1 | SEAT |
| B |  | 1 | BACK REST |
| C |  | 1 | LSF EAR |
| D |  | 1 | RSF EAR |

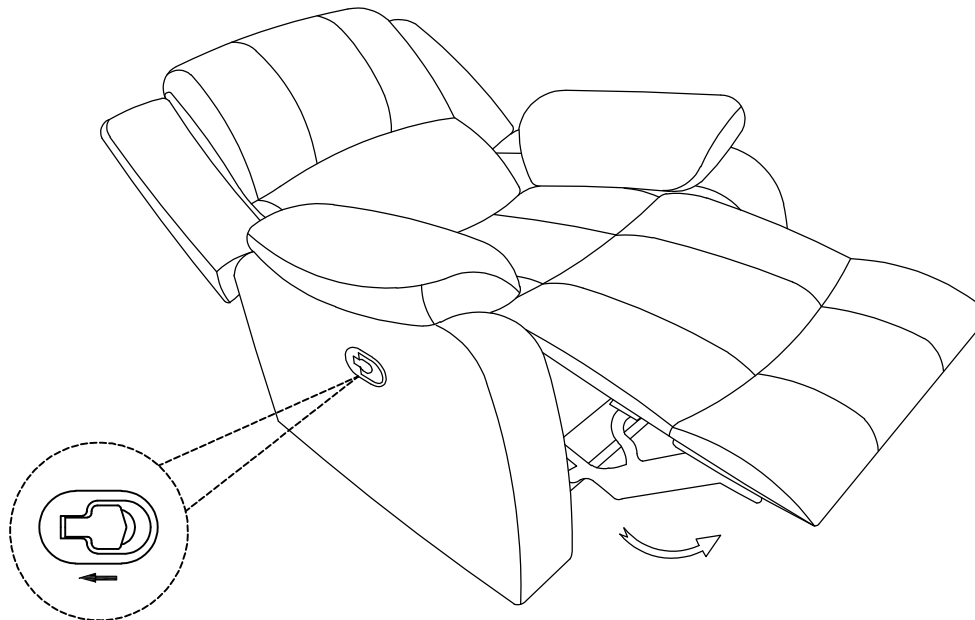
Step #1



Step #2



Step #3



Pull to recline the chair

Care Instruction for Chenille Furniture:

In order to maintain the original appearance of your Chenille Fabric Furniture, please follow below simple care procedures:

- Avoid exposing furniture directly to sunlight or heating and air conditioning outlets. Sunlight and or exposure to heating and air conditioning outlets will fade/damage Chenille.
- Vacuum or wipe with a soft cloth to remove dust.
- Hardware may loosen over time. Periodically check to make sure all connection are tight, Re-tighten if necessary.



For items use on wooden floor, hard surfaces or carpets, it is recommended to Install protective pads under all legs and supports to avoid/prevent from damages/scratches and discoloration.