

# INSTALLATION INSTRUCTION

## Tube Architectural - Ceiling Mount

DS-CD05, DS-CD06, DS-CD08

WAC LIGHTING  
Responsible Lighting®

### WARNING

IMPORTANT: NEVER attempt any work without shutting off the electricity.

- Read all instructions before installing.
- System is intended for installation by a qualified electrician in accordance with the National Electrical Code and local regulations.
- Go to the main fuse box, or circuit breaker. Place the main power switch in the "OFF" position and unscrew the fuse(s) or switch "OFF" the circuit breaker switch(es) that control the power to the fixture or room that you are working on.
- Place the wall switch in the "OFF" position.

### CAUTION

- All parts must be used as indicated in these instructions. Do not substitute any parts, leave parts out, or use any parts that are worn out or broken. Failure to follow this instruction could invalidate the ETL/CETL listing of this fixture.  
CAUTION When handling the fixture, do not apply pressure to the LEDs. Hold the fixture by the base only.

### AVERTISSEMENT

IMPORTANT : Coupez l'électricité avant TOUTE manipulation.

- Lisez toutes les instructions avant d'installer.
- Système est destiné à être installé par un électricien qualifié en conformité avec le code national de l'électricité et les règlements locaux.
- Accédez au panneau central de disjoncteurs ou de fusibles de votre demeure et placez l'interrupteur principal en position d'arrêt (« OFF »).
- Placez l'interrupteur mural en position d'arrêt (« OFF »).

### MISE EN GARDE

- Toutes les pièces doivent être utilisées tel qu'il est indiqué dans ces instructions. Ne remplacez pas les pièces, n'en laissez pas de côté et ne les utilisez pas si elles sont usées ou brisées. Le non-respect de ces instructions peut annuler l'homologation ETL/CETL du luminaire. MISE EN GARDE Ors de la manipulation de l'appareil, ne pas appliquer de pression à la LED, tenir l'appareil par la seule base.

### ADVERTENCIA

IMPORTANTE: NUNCA intente hacer trabajos sin desconectar el suministro eléctrico.

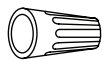
- Lea y comprenda todas las instrucciones e ilustraciones por completo antes de proceder con el ensamblaje e instalación de esta lámpara.
- Sistema está diseñado para ser instalado por un electricista calificado, de acuerdo con el código eléctrico nacional y las normas locales.
- Diríjase a la caja de fusibles o a la caja del interruptor de circuito principal en su hogar. Coloque el interruptor de alimentación principal en la posición "OFF" (APAGADO).
- Coloque el interruptor de la pared en la posición "OFF" (APAGADO).

### PRECAUCIÓN

- Todas las piezas deben usarse como lo indican estas instrucciones. No reemplace las piezas, no omita piezas durante la instalación ni utilice piezas gastadas o rotas. El incumplimiento de esta indicación podría invalidar la calificación ETL/CETL esta lámpara. PRECAUCIÓN Al manipular el aparato, no aplique presión a los LED, mantenga el aparato en la base sólo.

## HARDWARE

FIG.1



Wire Connector



Junction Box Screw



Gasket

WAC Lighting  
www.waclighting.com  
Phone (800) 526.2588 • Fax (800) 526.2585

Headquarters/Eastern Distribution Center  
44 Harbor Park Drive • Port Washington, NY 11050  
Phone (516) 515.5000 • Fax (516) 515.5050

Western Distribution Center  
1750 Archibald Ave • Ontario, CA 91761  
Phone (800) 526.2588 • Fax (800) 526.2585

# INSTALLATION INSTRUCTION

## Tube Architectural - Ceiling Mount

DS-CD05, DS-CD06, DS-CD08

WAC LIGHTING  
Responsible Lighting®

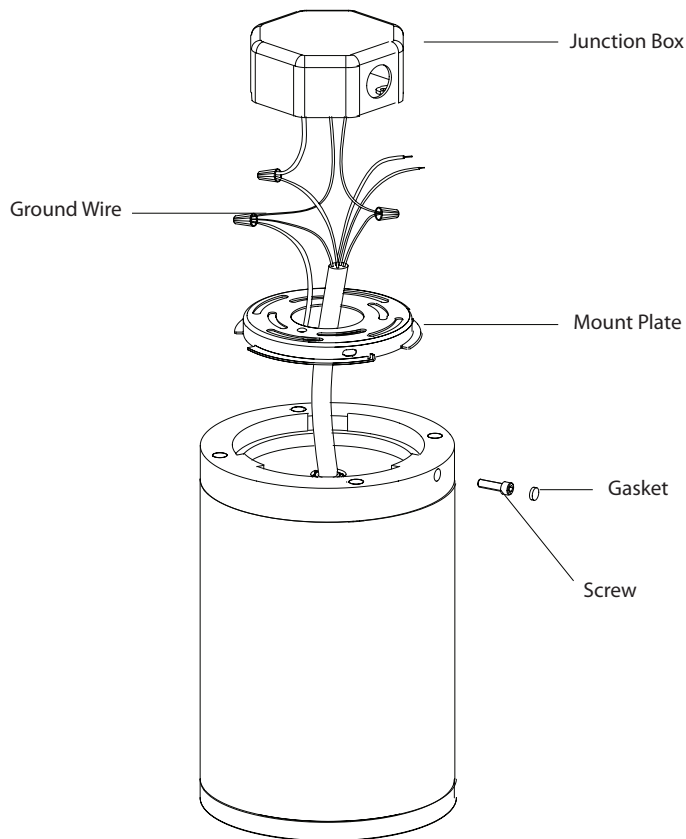
### OVERVIEW

It is surface mount down light, included ceiling mount, pendant mount, single direction wall wash and up-down direction wall wash. Check WAC Lighting catalog for various mount type, size, beam angle and color choices.

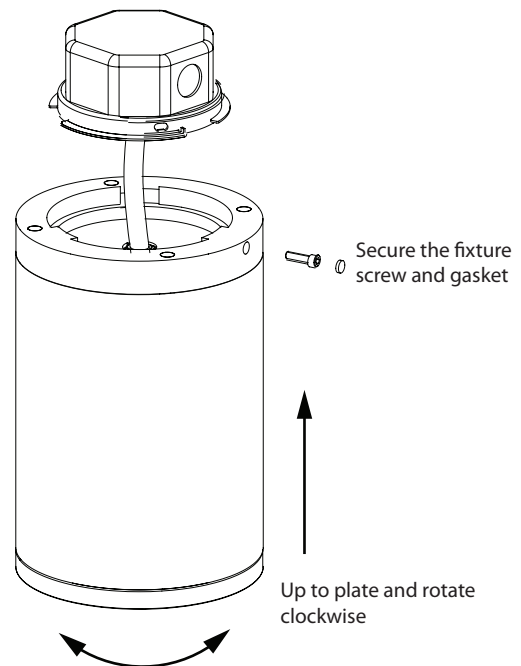
### FIXTURE INSTALLATION

1. Carefully unpack your new fixture and lay out all the parts on a clear area. Be carefully not to lose any small parts necessary for installation. (See **FIG.1**)
2. Remove the screw on side of fixture holding mounting plate to fixture, and remove mounting plate from fixture. (See **FIG.2**)
3. Secure mounting plate to the junction box in ceiling provided by others.
4. Pull power supply wires out of junction box through mounting plate. Connect brown fixture wire to hot wire, blue fixture wire to neutral wire and yellow fixture wire to ground. This fixture offers 0-10V dimming capability. To utilize, connect red fixture wire to hot dimming wire and black fixture wire to neutral dimming wire. If not utilizing dimming, terminate the dimming wires by capping them separately. After wires are connected securely, tuck them carefully inside the junction box .
5. Place the fixture over the mounting plate, up to plate and rotate clockwise, then secure with screws and gasket.(See **FIG.3**)

**FIG.2**



**FIG.3**



WAC Lighting  
www.waclighting.com  
Phone (800) 526.2588 • Fax (800) 526.2585

Headquarters/Eastern Distribution Center  
44 Harbor Park Drive • Port Washington, NY 11050  
Phone (516) 515.5000 • Fax (516) 515.5050

Western Distribution Center  
1750 Archibald Ave • Ontario, CA 91761  
Phone (800) 526.2588 • Fax (800) 526.2585

# INSTALLATION INSTRUCTION

## Tube Architectural - Ceiling Mount

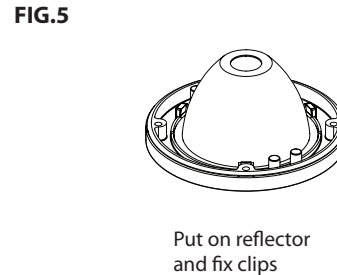
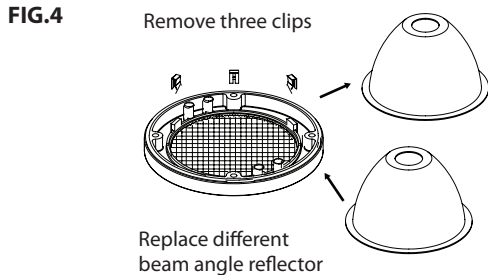
DS-CD05, DS-CD06, DS-CD08

# WAC LIGHTING

Responsible Lighting®

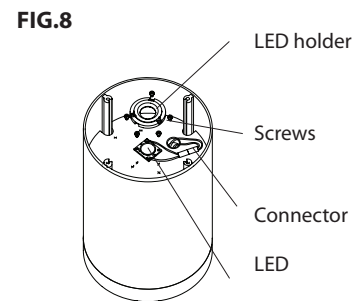
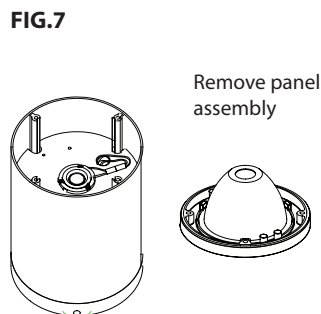
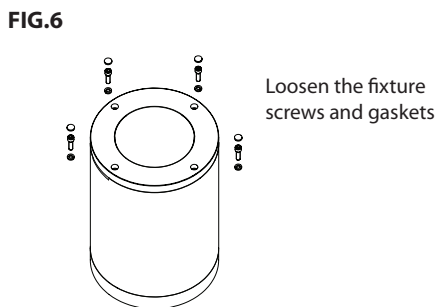
### REFLECTOR REPLACEMENT

1. Remove panel assembly by loosening the fixture screw and gasket, remove three chips to change reflector. (FIG.4)
2. Replace your beam angle reflector on panel and fix the clips. (FIG.5)



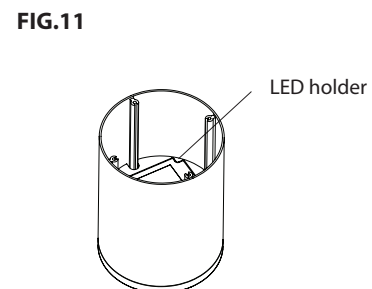
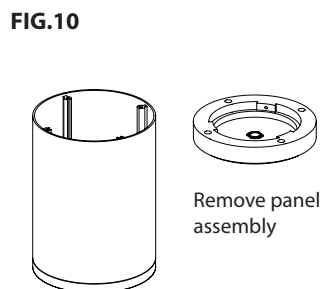
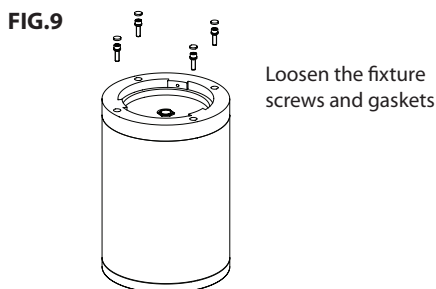
### LED REPLACEMENT

1. Loosen the fixture screw and gasket (FIG.6), remove the panel assembly (FIG.7).
2. Loosen the LED holder and LED screws, carefully disconnect LED connector from driver connector and replace LED by removing driver mounting screws. (FIG.8).



### DRIVER REPLACEMENT

1. Loosen the fixture screw and gasket (FIG.9), remove the cover assembly (FIG.10).
2. Loosen the LED driver screws, carefully disconnect LED driver connector from LED connector and replace driver by removing driver mounting screws. (FIG.11).



### COMPLETING THE INSTALLATION

To prevent moisture from entering the outlet box and causing a short, use clear caulking (i.e. indoor/outdoor silicone sealant) to outline the outside of fixture plate where it meets the wall leaving a space at bottom to allow moisture a means to escape.

WAC Lighting  
www.waclighting.com  
Phone (800) 526.2588 • Fax (800) 526.2585

Headquarters/Eastern Distribution Center  
44 Harbor Park Drive • Port Washington, NY 11050  
Phone (516) 515.5000 • Fax (516) 515.5050

Western Distribution Center  
1750 Archibald Ave • Ontario, CA 91761  
Phone (800) 526.2588 • Fax (800) 526.2585