

# Installation & Assembly

## General Guidelines

Please read the following instruction carefully and use the product accordingly. Please keep this manual and hand it over when you transfer the product. This summary may not include every detail of all variations and considered steps.

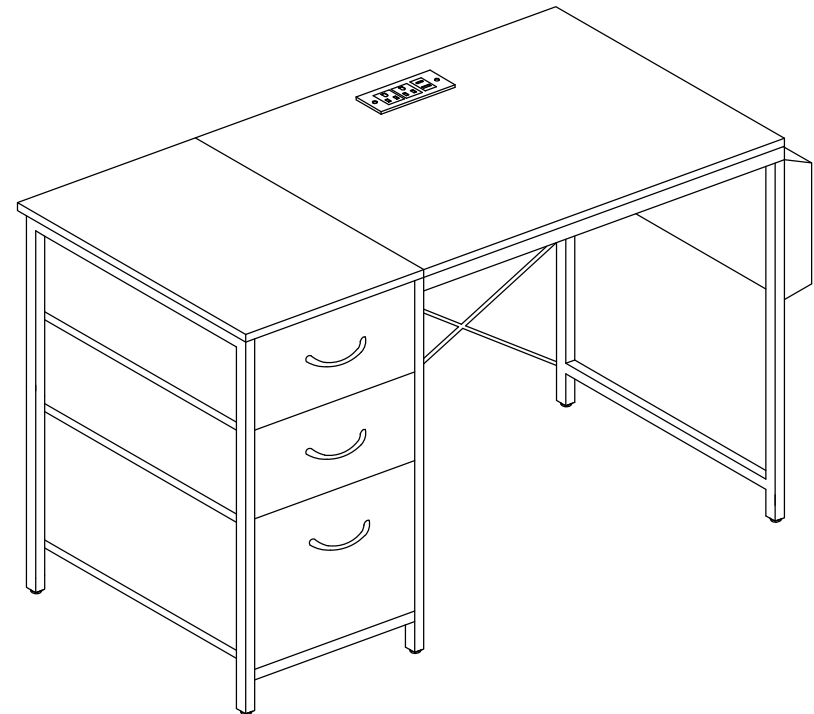
Please contact us when further information and help are needed

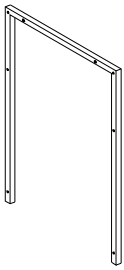
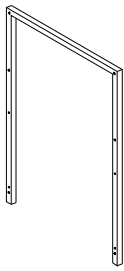
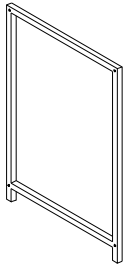
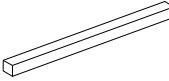
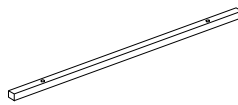
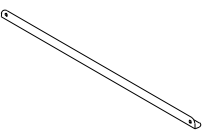
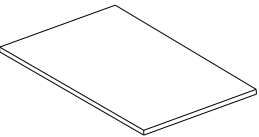
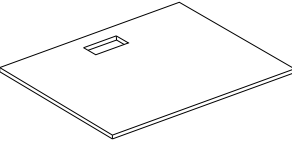
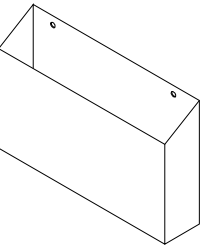
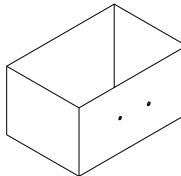

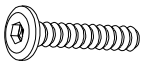
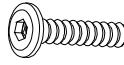



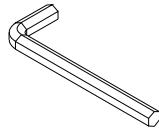
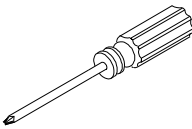
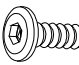
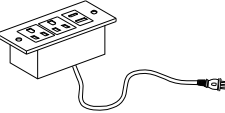
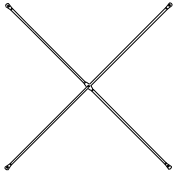
## Notes

Product is intended for indoor use only. It must be assembled and used according to the instructions. The seller does not accept any responsibility for damage or injury resulting from improper assembly or use.

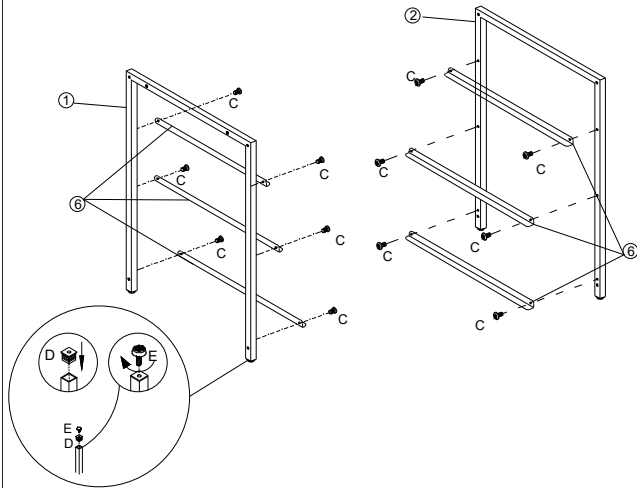
Please avoid long-term exposure to humid environment to prevent mildew.

-During assembly, align all screws with the corresponding pre-drilled holes first. Do not tighten the screws too tightly at the beginning of installation. Tighten screws after they are all assembled one by one. Inspect the screws regularly as screws may become loose during long-term use. If necessary, retighten them to ensure stability and security.



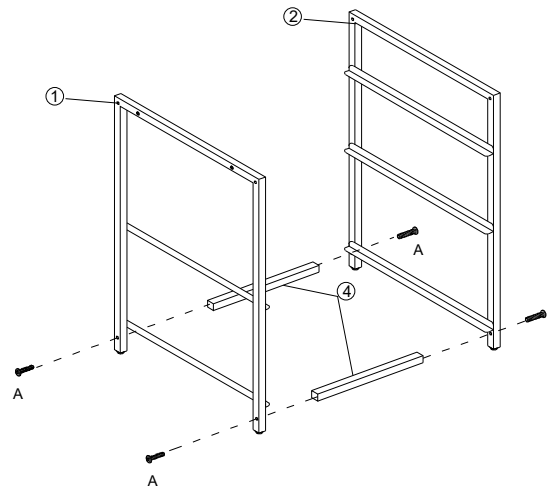
<p>①</p>  <p>x1</p>	<p>②</p>  <p>x1</p>	<p>③</p>  <p>x1</p>	<p>④</p>  <p>x2</p>	<p>⑤</p>  <p>x2</p>	<p>⑥</p>  <p>x6</p>
<p>⑦</p>  <p>x1</p>	<p>⑧</p>  <p>x1</p>	<p>⑭</p>  <p>x1</p>	<p>⑮</p>  <p>x3</p>	<p>⑯</p>  <p>x3</p>	<p>A</p>  <p>M6-35x8</p>
<p>B</p>  <p>M6-30x8</p>	<p>C</p>  <p>M4-10x17</p> <p>x1</p>	<p>D</p>  <p>x6</p>	<p>E</p>  <p>x6</p>	<p>F</p>  <p>x1</p>	<p>G</p>  <p>x1</p>
<p>J</p>  <p>M6-20x2</p>	<p>M</p>  <p>x1</p>	<p>N</p>  <p>x1</p>			

### STEP 1



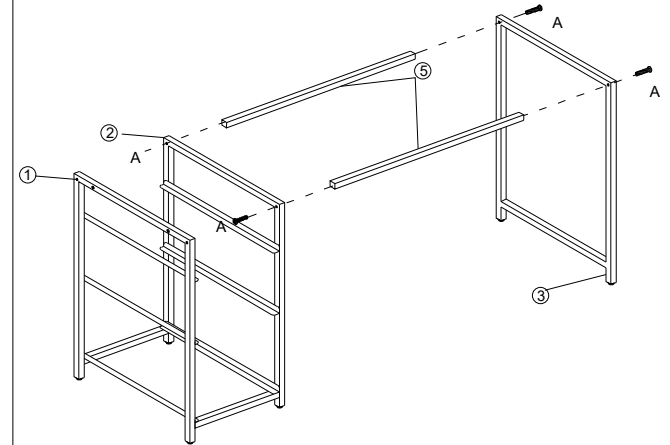
Install D and E at the bottom of numbers 1, 2 and 3.  
Use screw C to link frame NO.6 to frames NO. 1 and NO.2 respectively

### STEP 2



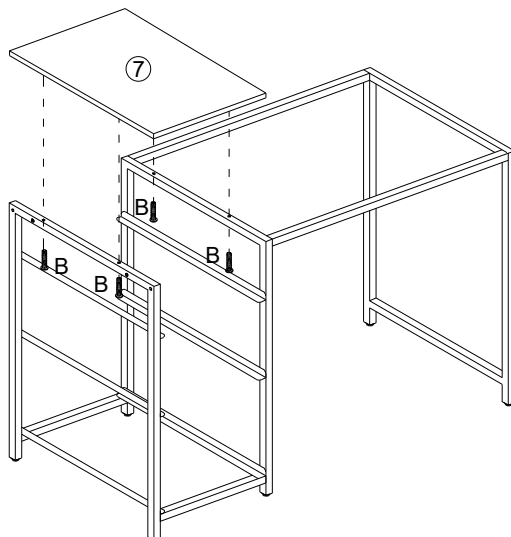
Use screw A to connect No. 4 to No. 1 and No. 2

### STEP 3



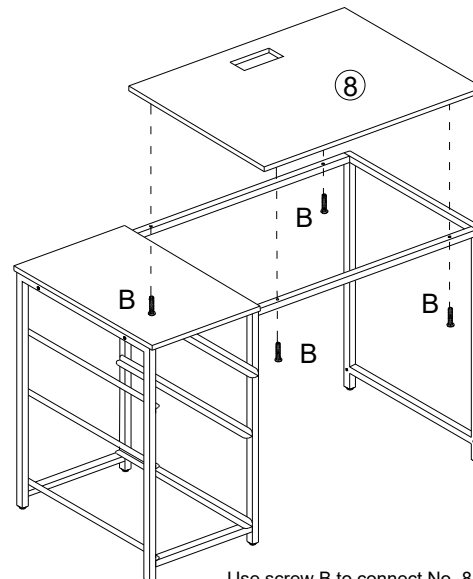
Use screw A to connect No. 5 to No. 2 and No. 3

### STEP 4



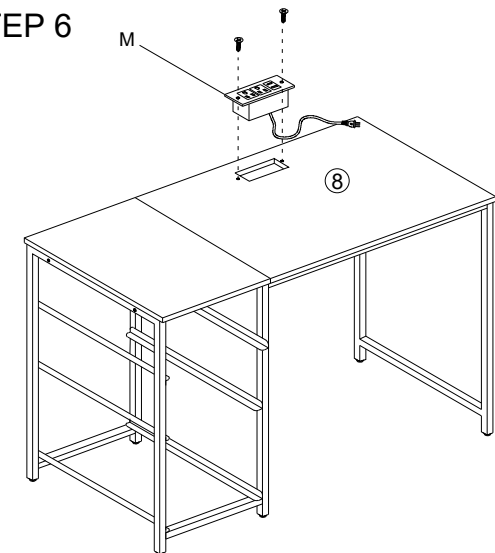
Use screw B to connect No. 7 and step 2

### STEP 5



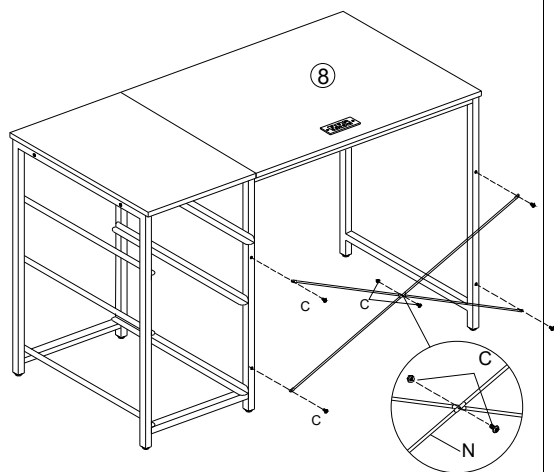
Use screw B to connect No. 8 to the frame

### STEP 6



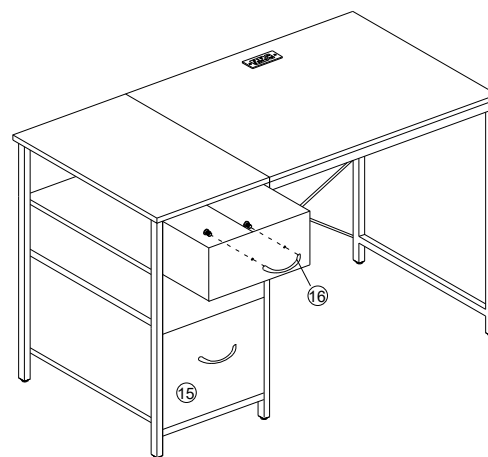
Use the screw attached with M to install M onto the board with NO.8.

### STEP 7



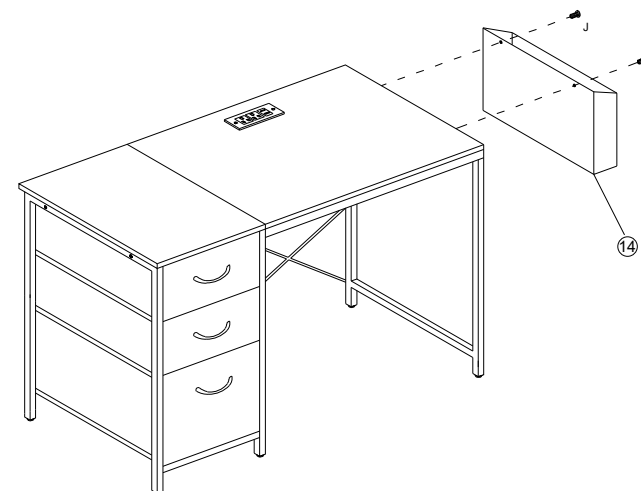
Connect N to the back of the computer desk using screw C

### STEP 8

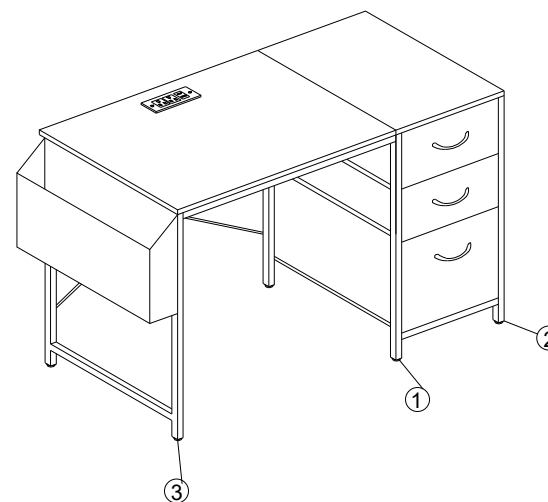
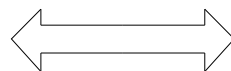
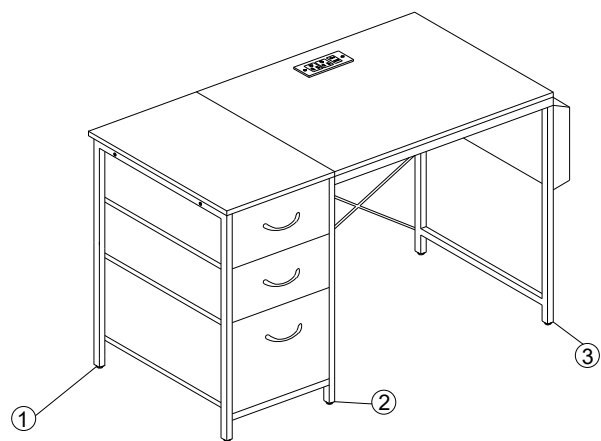


Install handle 16 onto drawer 15.  
Then push the corresponding drawer into the computer desk

### STEP 9



Then use screw J to install the No. 14 onto the frame.



The computer desk can be switched left and right according to one's own needs.