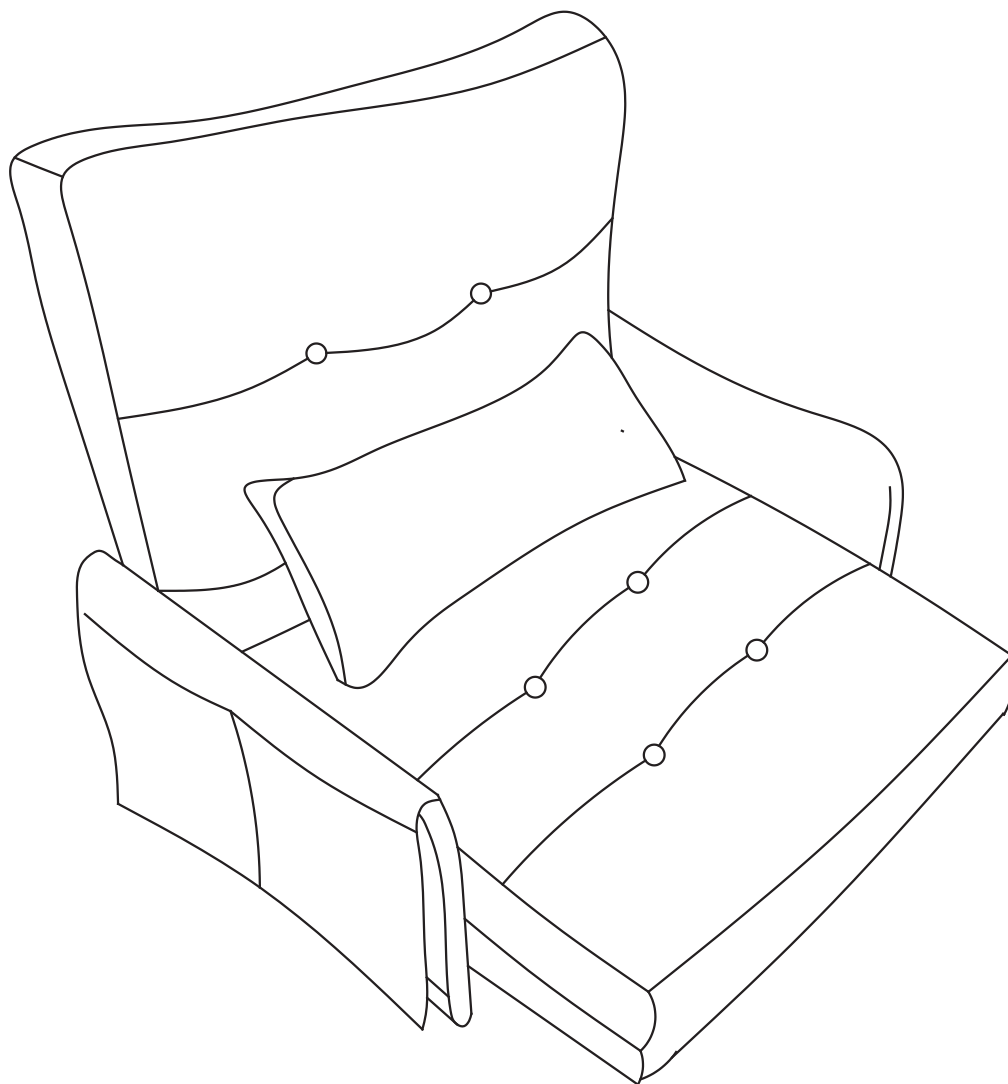


Folding Single Sofa Bed

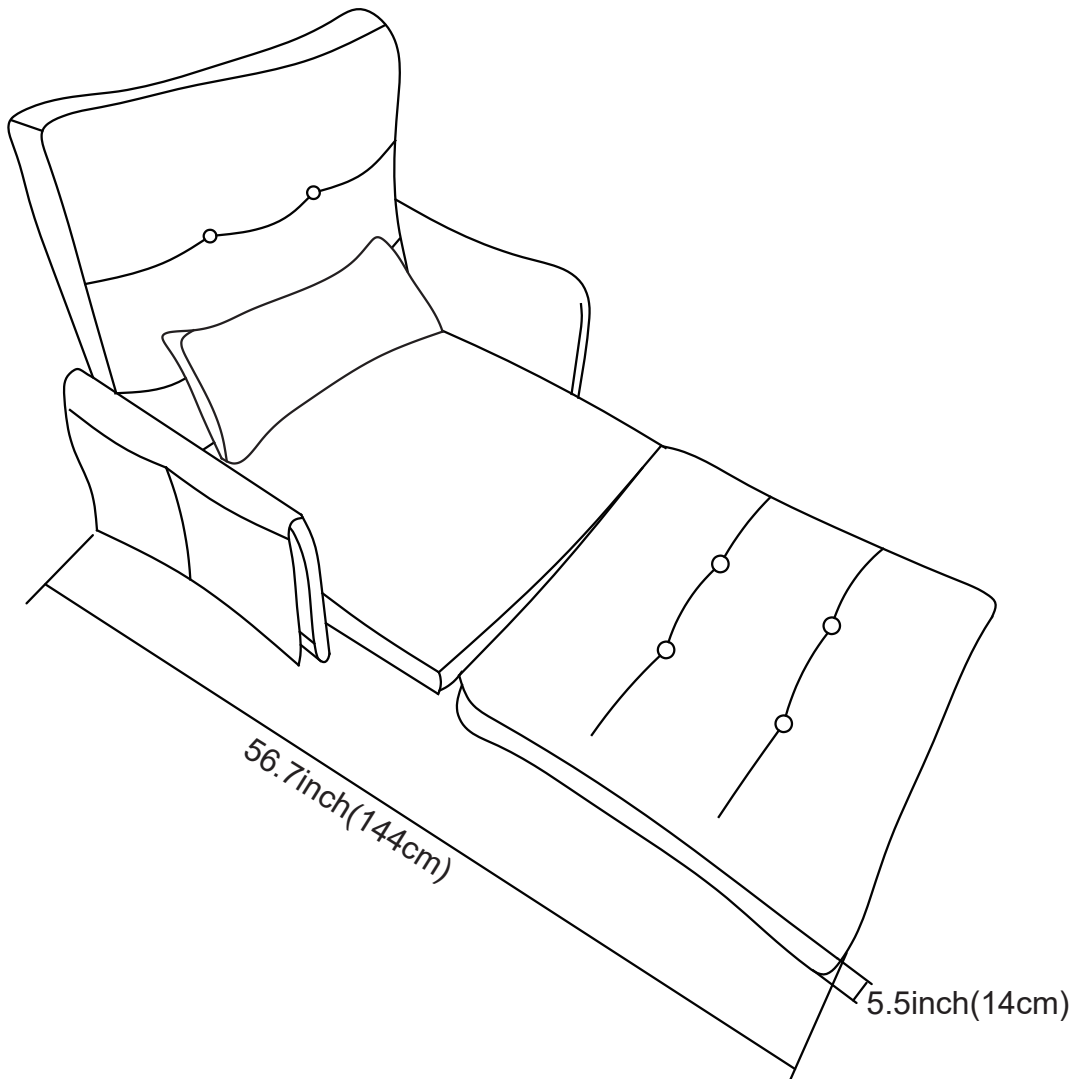
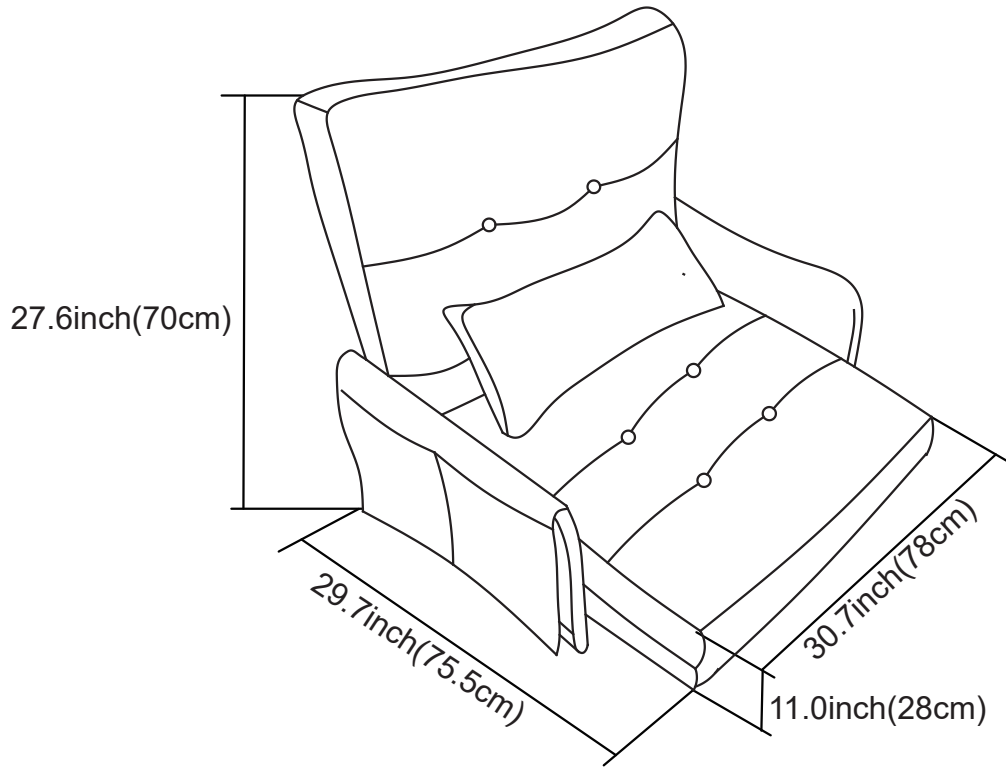


IMPORTANT

PLEASE READ BEFORE YOU COMMENCE ASSEMBLY

Follow the guidelines in this user guide to ensure correct assembly and care for this product.

Folding Single Sofa Bed



Catalog

Specifications..... 01

Catalog..... 02

Notice..... 03

Exploded Views..... 04

Part List And Screw Set List..... 05

How to Assemble The Folding Single Sofa Bed..... 06



Before You Begin

Instructions are supplied in this manual and contain all appropriate information for your product.

Review all instructions before you begin and during assembly, follow the step sequence carefully for correct results.

1. All parts are packaged within the carton. Separate contents of the carton by the part number while reviewing parts list. Check to be sure that you have all the necessary parts for building.

2. Familiarize yourself with the hardware and fasteners for easier use during construction.

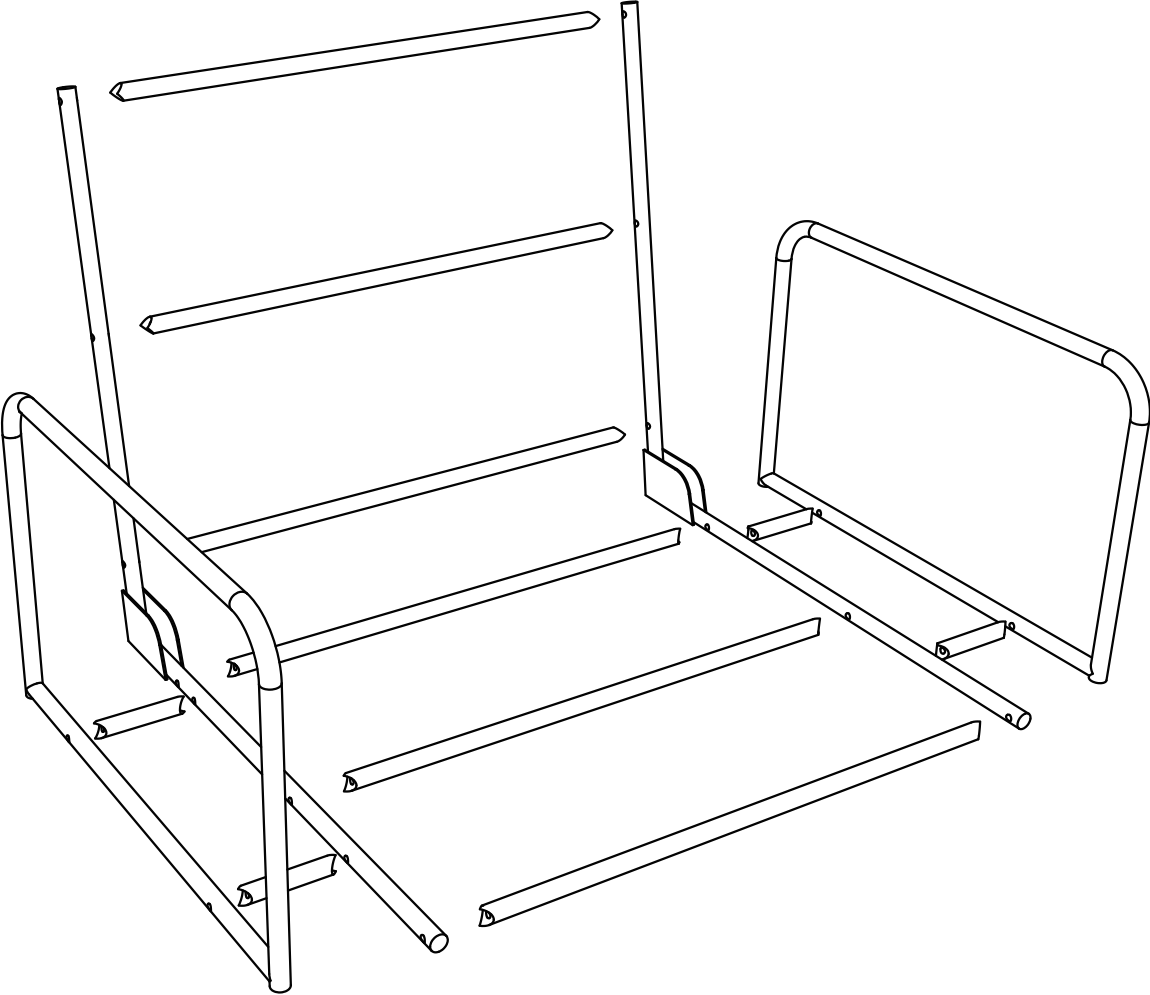
3. The first few steps show how to join related parts which is to obtain larger sub-assemblies be used later.

4. Note that extra fasteners have been supplied for your convenience.

5. If you have an electric screwdriver, you can use it instead of the screwdriver we provide. An electric screwdriver can help you reduce assembly time.

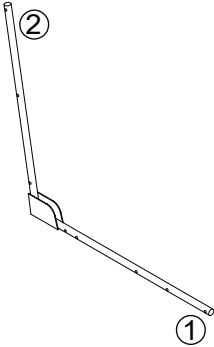
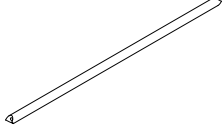
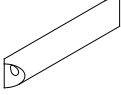
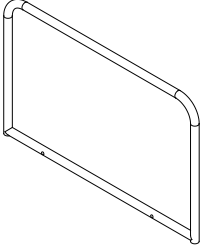
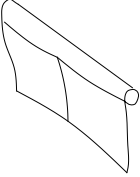
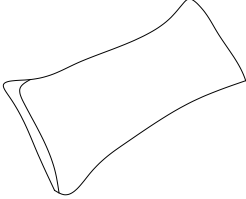
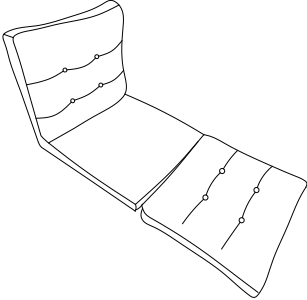
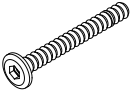
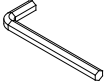
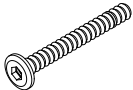
If you have any questions about the **Folding Single Sofa Bed**, please feel free to contact us.

EXPLODED VIEWS



PART LIST

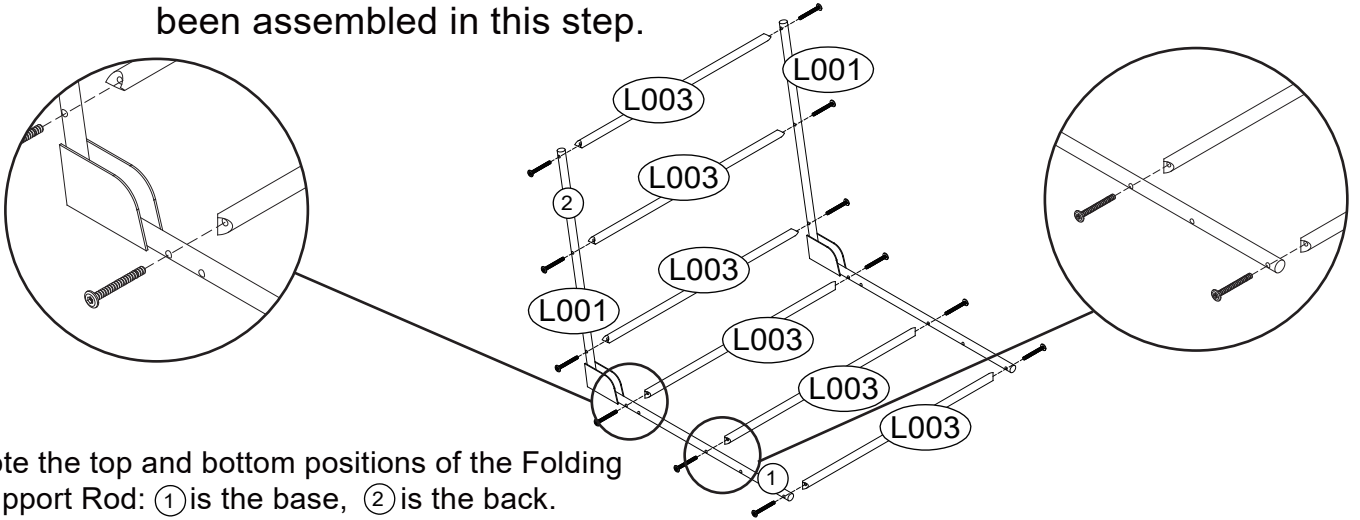
Part List

<p>(L001)</p>  <p>Folding Support Rod</p>	<p>(L003)</p>  <p>Left and right connecting Rod</p>	<p>(L004)</p>  <p>Armrest Connecting rod</p>	<p>(L005)</p>  <p>Armrest Frame</p>
2PCS	6PCS	4PCS	2PCS
<p>(L007)</p>  <p>Armrest Storage Pouch</p>	<p>(L008)</p>  <p>Lumbar Cushion</p>	<p>(L010)</p>  <p>Single-seat Cushion</p>	
2PCS	1PC	1PC	
Screw Set			
<p>(A)</p> 	<p>(B)</p> 		
20PCS	1PC		
Extra (Screw Set)			
<p>(A)</p> 			
2PCS			

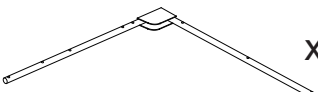
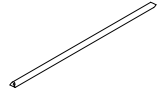

How To Assemble The Folding Single Sofa Bed

STEP 01: Secure the left and right connecting rods (L003) to the folding support rod (L001) using screws.

NOTE: The folding support rod features multiple mounting holes; please note the screw fixing positions. During installation, do not fully tighten the screws. Only tighten all screws once all components and screws have been assembled in this step.

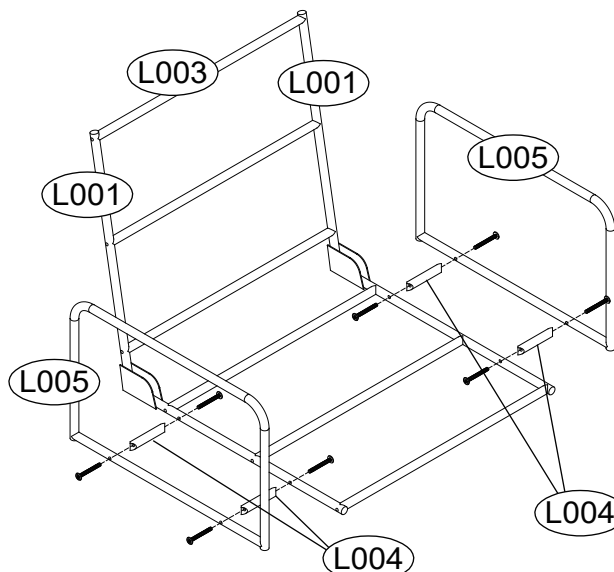


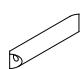
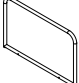

Note the top and bottom positions of the Folding Support Rod: ① is the base, ② is the back.

L001		x2	L003		x6	A		x12
------	-------------------------------------------------------------------------------------	----	------	-------------------------------------------------------------------------------------	----	---	---------------------------------------------------------------------------------------	-----

STEP 02: Secure the Armrest Connecting Rod (L004) to both sides of the Armrest Frame (L005) and the Folding Support Rod (L001) using screws.

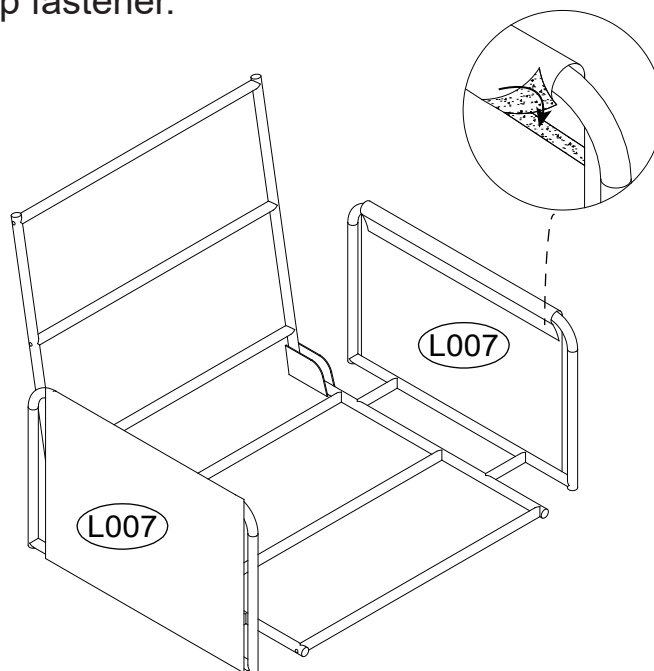
NOTE: During installation, do not fully tighten the screws. Only tighten all screws once all components and screws have been assembled in this step.



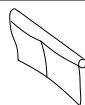
L004		x4	L005		x2	A		x8
------	-------------------------------------------------------------------------------------	----	------	-------------------------------------------------------------------------------------	----	---	---------------------------------------------------------------------------------------	----

Installation steps

STEP 03: Wrap the armrest storage pouch (L007) around the upper bar of the armrest frame (L005) as illustrated, then secure it using the integrated hook-and-loop fastener.

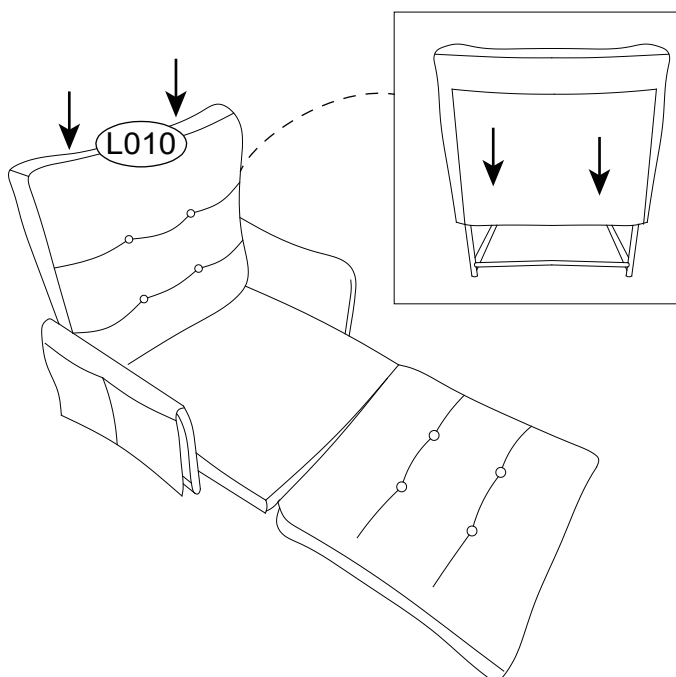


L007

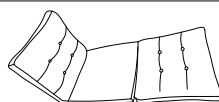


x2

STEP 04: Slide the Single-seat Cushion (L010) down over the backrest section of the Folding Support Rod (L001).

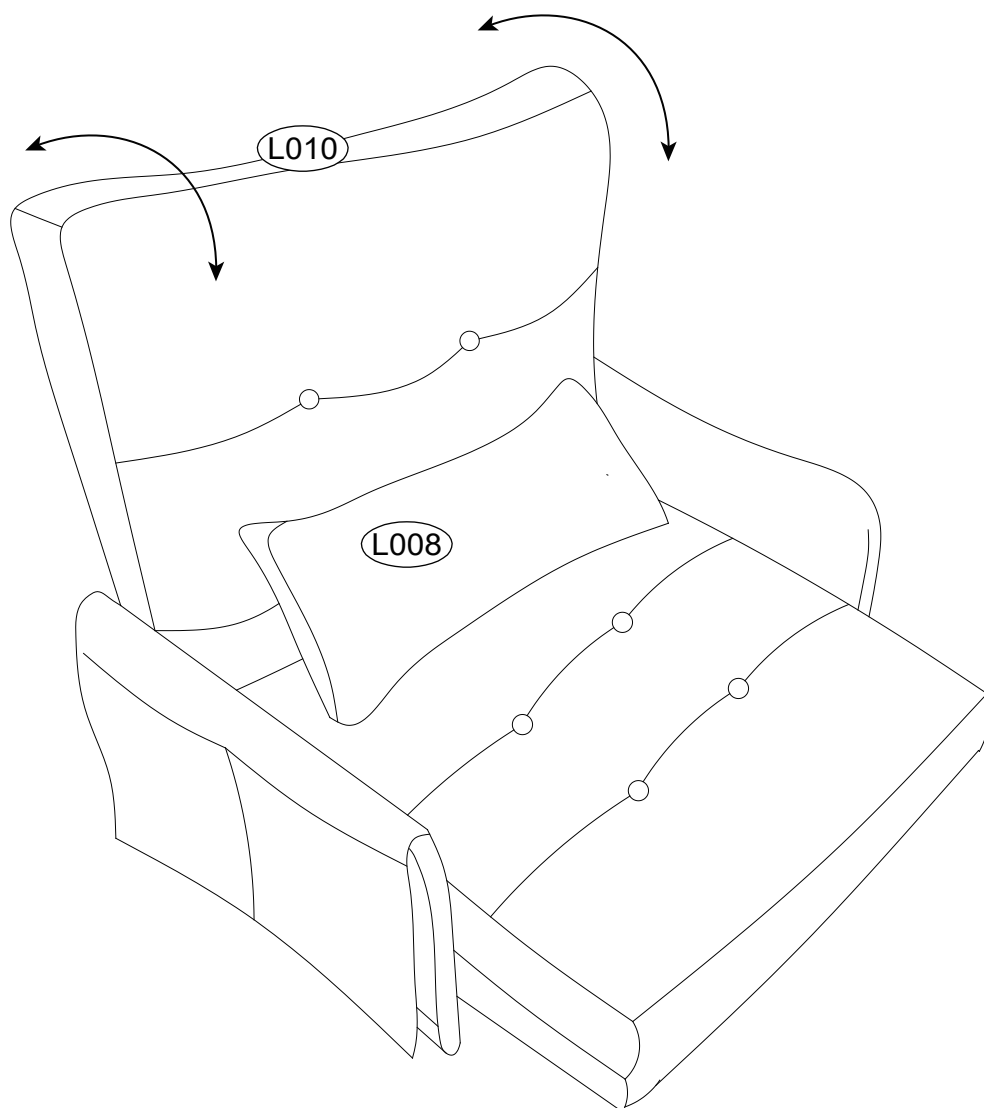


L010



x1

STEP 05:



L008



x1