
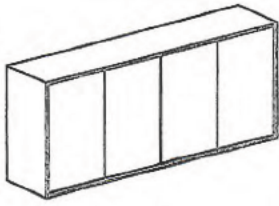


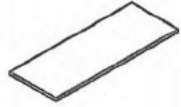
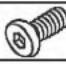








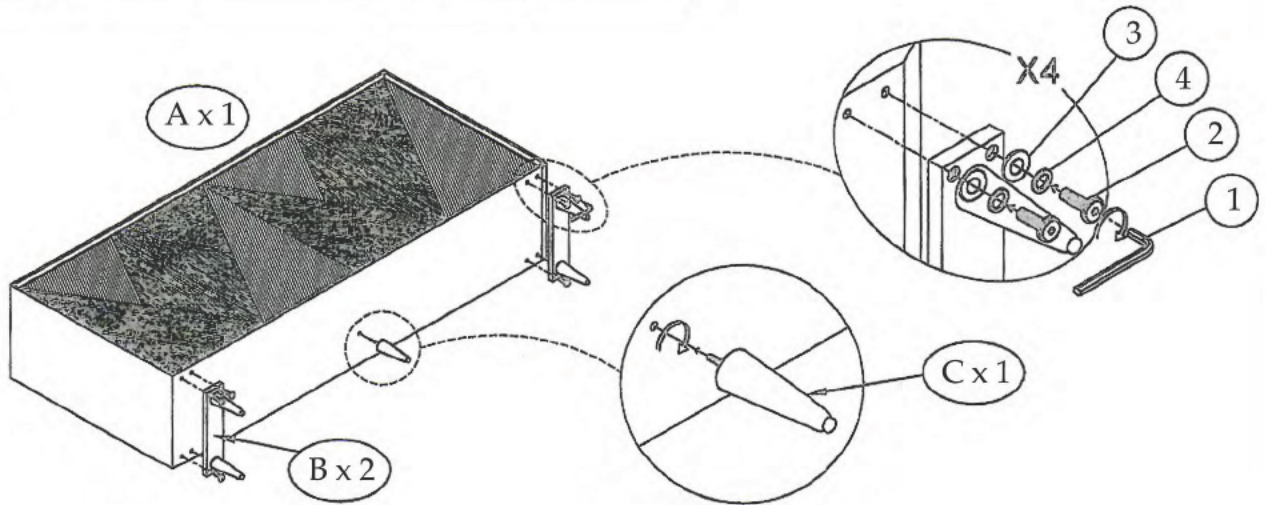


ASSEMBLY INSTRUCTIONS

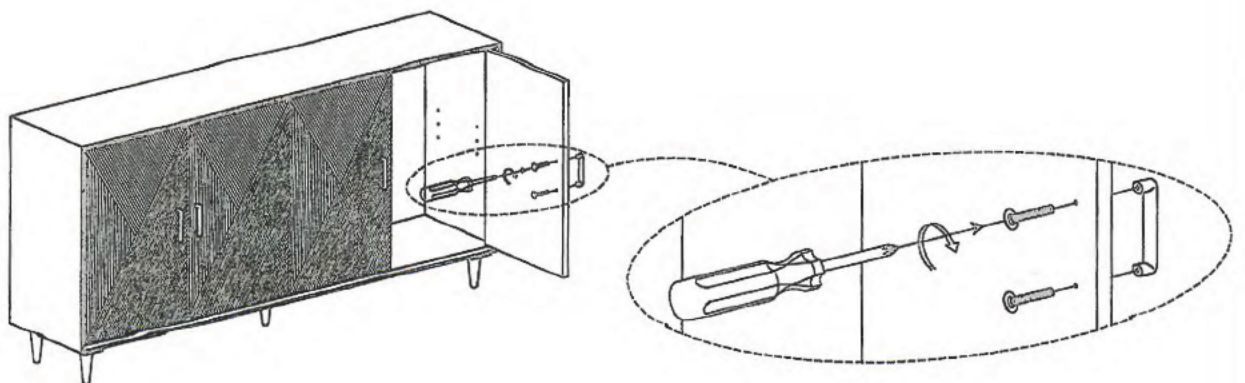
No.	Hardware List		Qty.	A x 1	B x 2	C x 1	D x 2
1		Allen Wrench	1				
2		Bolt	8				
3		Flat Washer	8				
4		Spring Washer	8				
5		Shelving Pin	8				

E x 4 	F x 4 	G x 4 	H x 4 	I x 4 
--	--	--	--	--

STEP 1

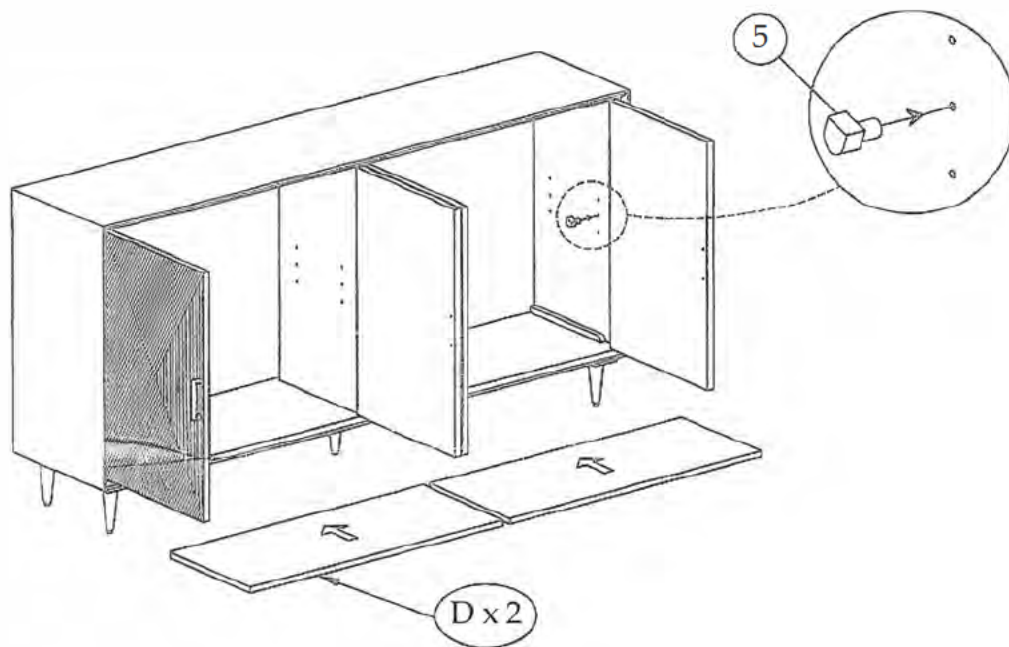


STEP 2



ASSEMBLY INSTRUCTIONS

STEP 3



STEP 4

