

CARE AND MAINTENANCE

Never use abrasive or acid-based cleaners on the shelf rack.

Clean shelves and rods with a solution of mild detergent and water .Use a soft cloth or sponge to wipe parts.Rinse and dry thoroughly.Keep surfaces dry and clean for a longer lasting finish.

NOTICE

Please read and understand these instructions before attempting to assemble,operate or install the product.

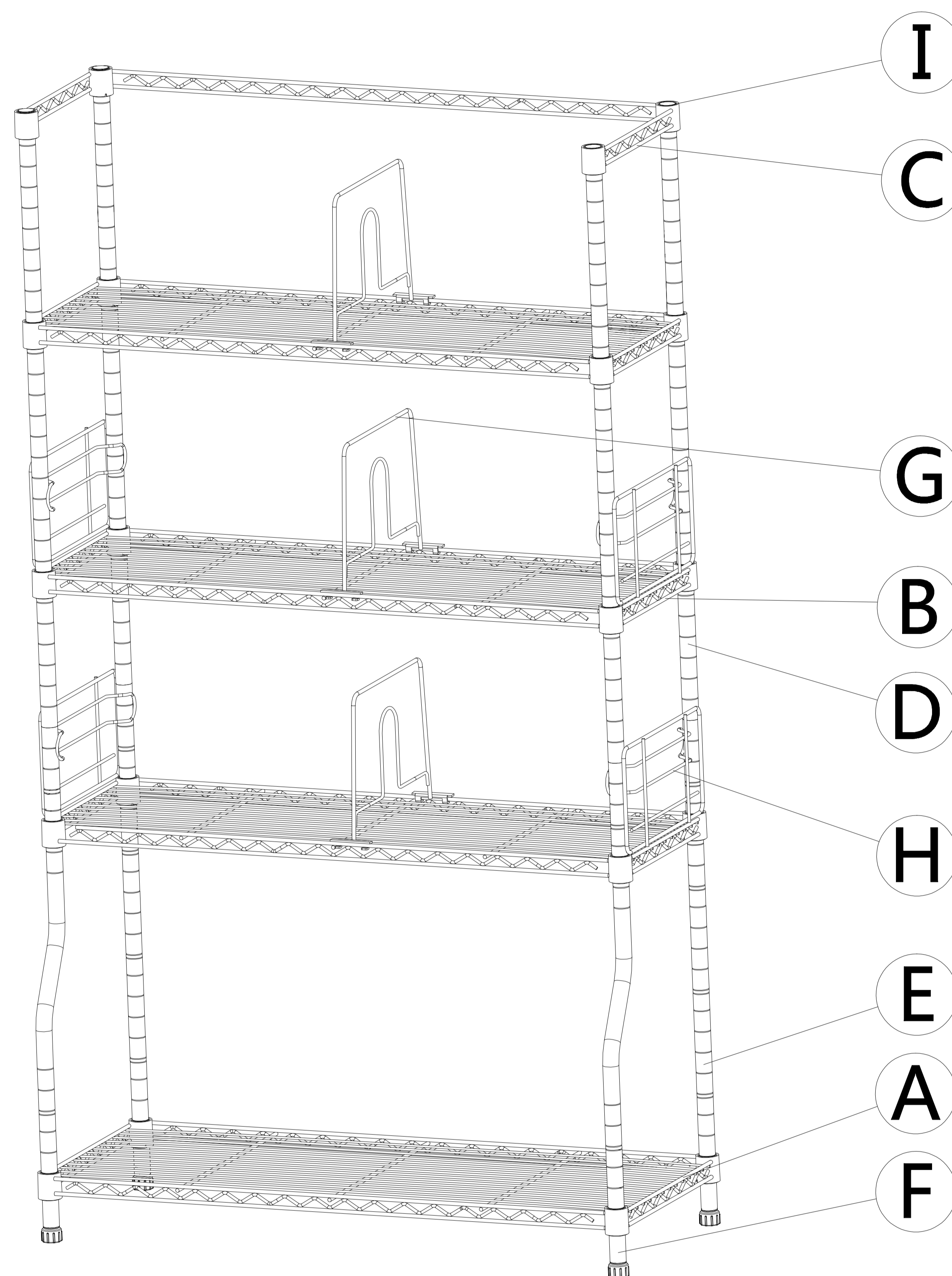
-Two adults required for a assembly.

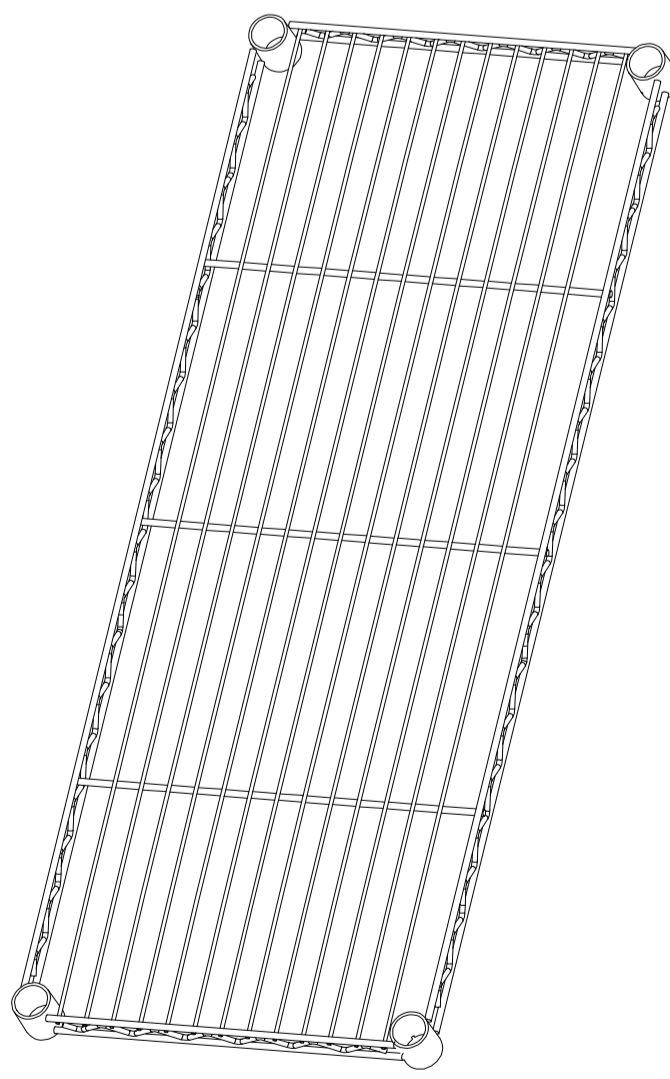
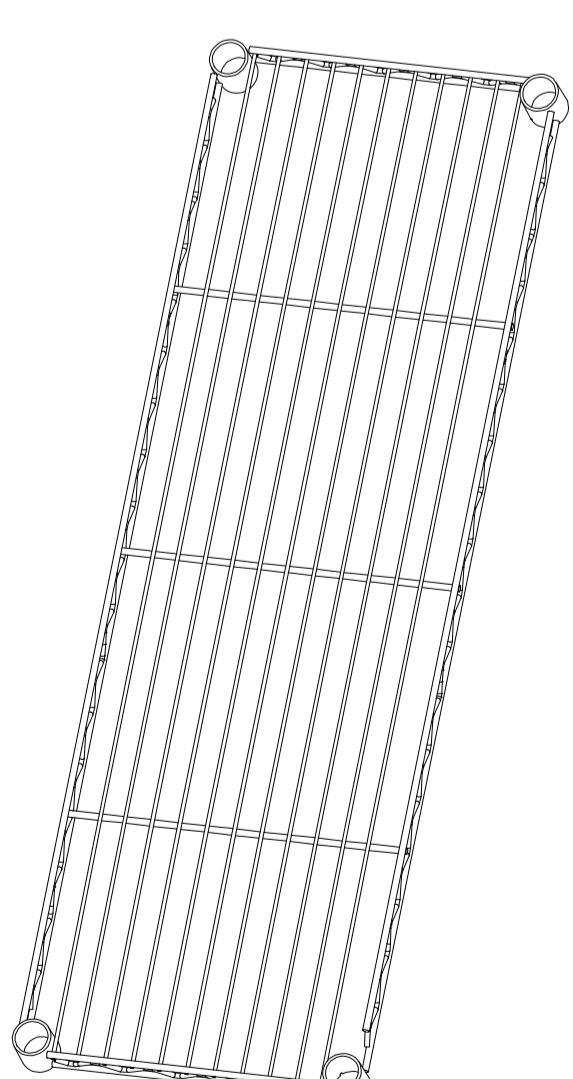
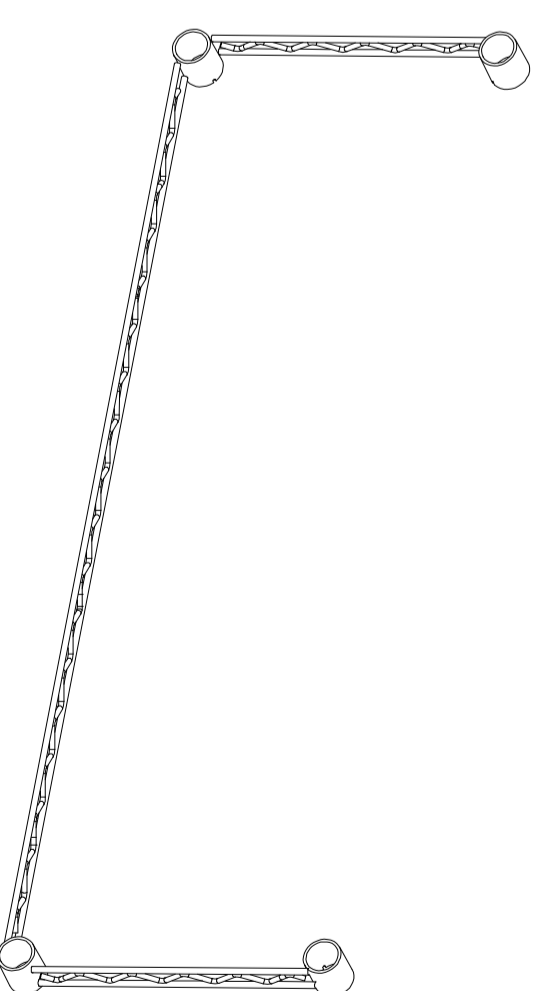
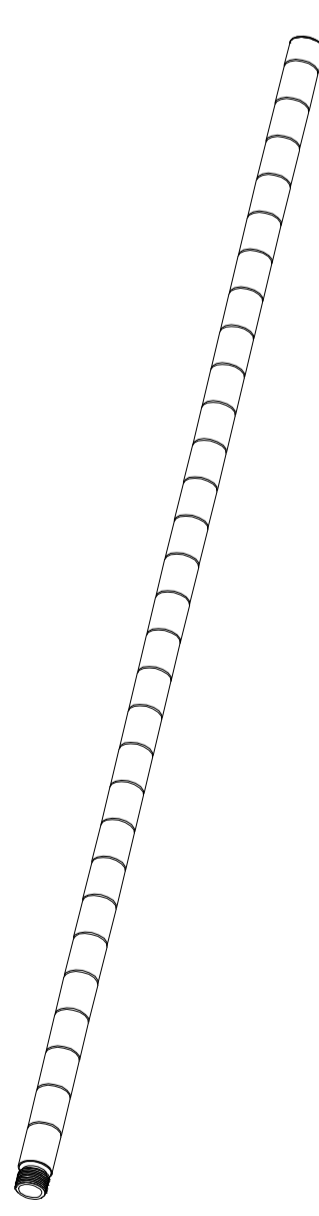
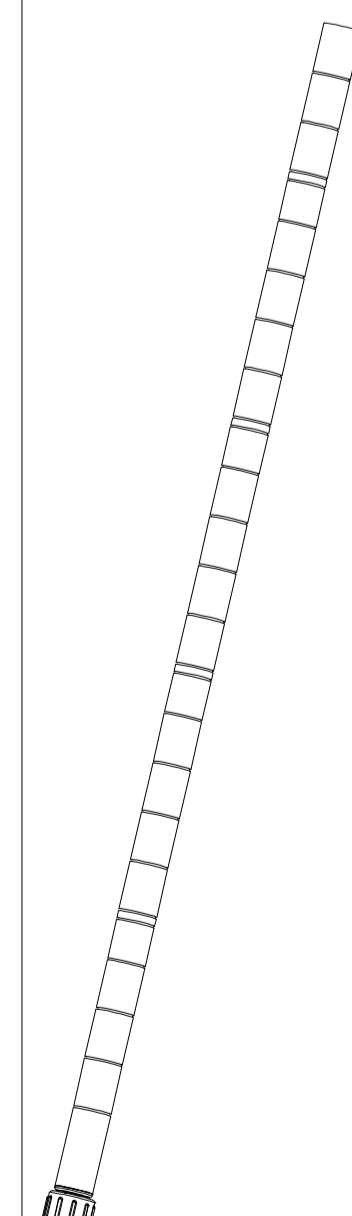
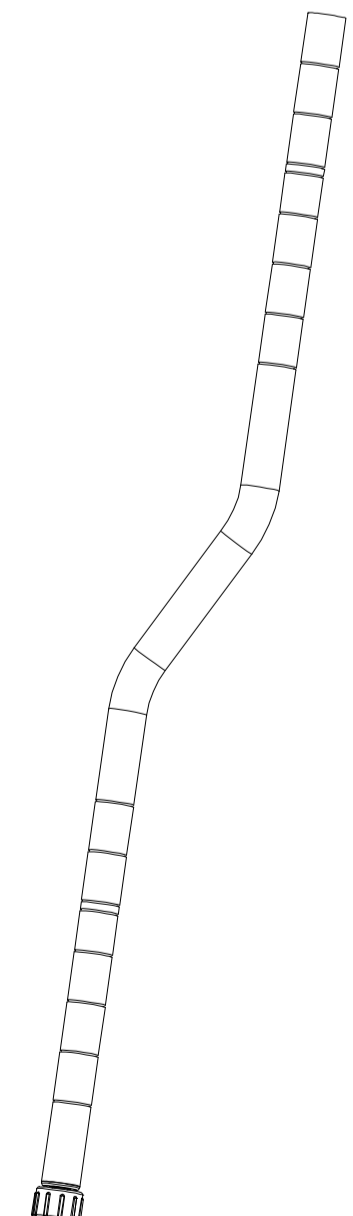
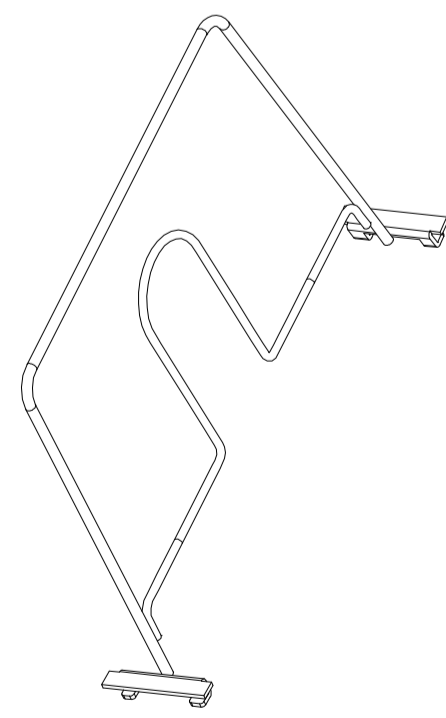
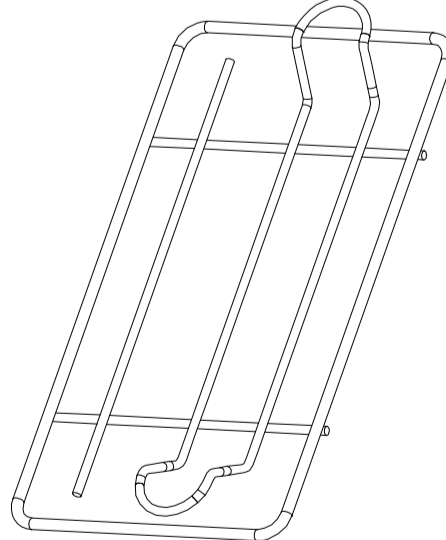
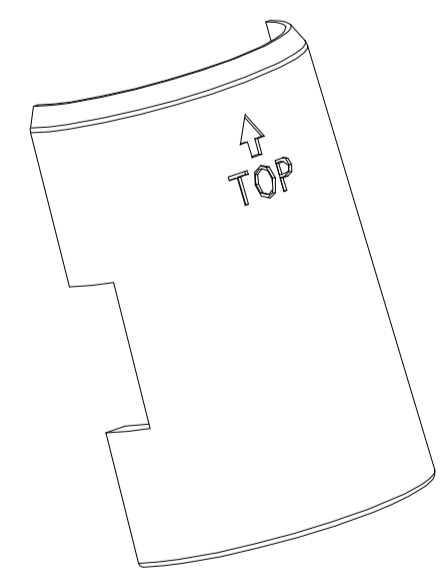
-Do not allow children to climb or play in or around the shelves .

-Each shelf holds up to 88 Ibs.When items are evenly distributed.

-Assemble on a soft surface,such as carpeting to avoid scratching the finish .

SIZE: W29.5XD11.8XH53.1in



No.	A	B	C	D	E	F	G	H	I
Name	Bottom Wire Shelf	Wire Shelf	Door Shapped Frame	Upper Pole	Lower Pole	Z-shapped Pole	Shelf Divider	Shelf Ledge	Plastic Clip
Parts									
Quantity	1PC	3PCS	1PC	4PCS	2PCS	2PCS	3PCS	4PCS	40PCS

PREPARATION

1.Before beginning assembly of product,make sure all parts are present.Compare parts with package contents list and hardware contents .If any parts is missing or damaged,do not attempt to assemble the product .

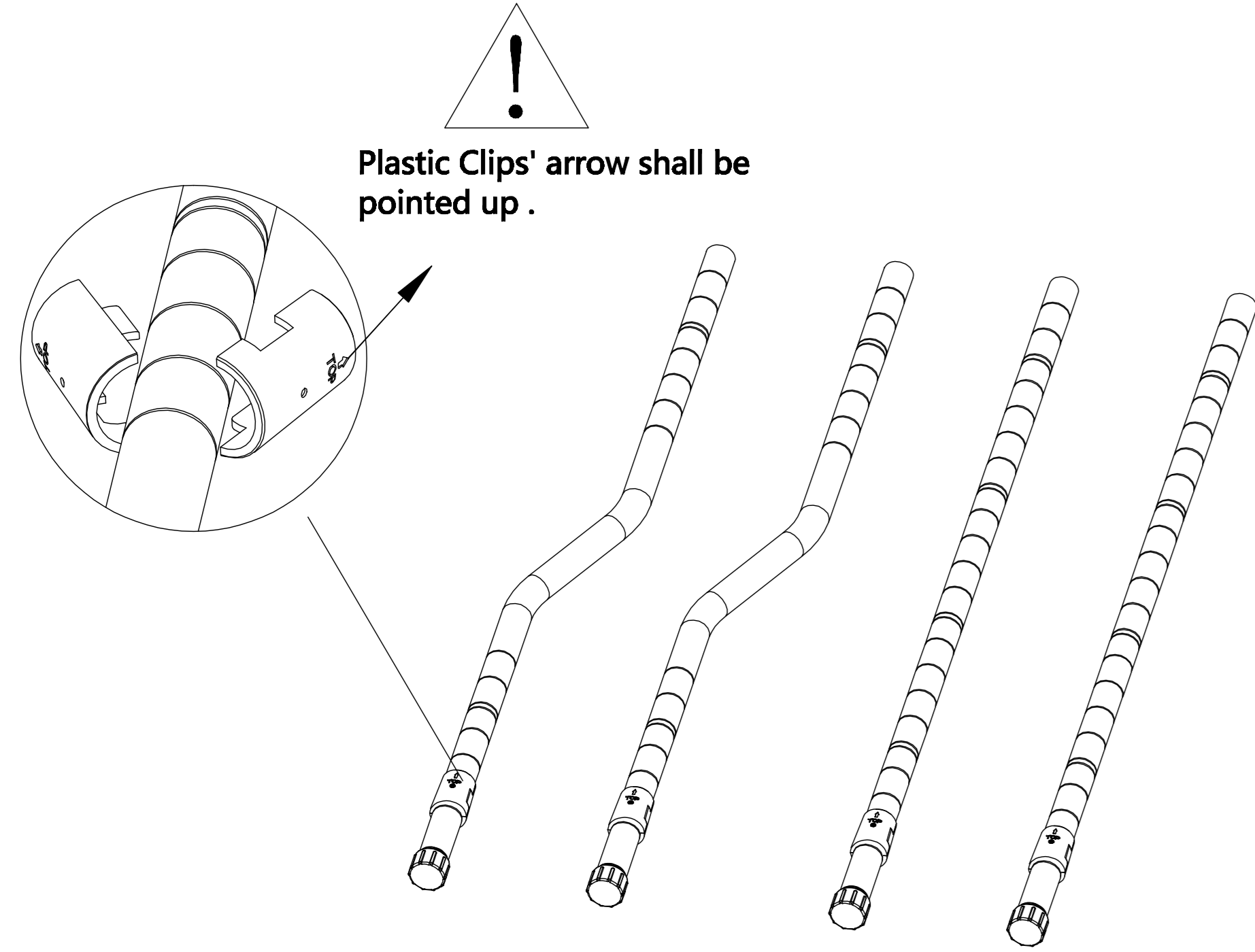
2.Estimated Assembly Time :Approximately 15-20 minutes.

3.Helpful Tools(not included):Rubber Mallet.

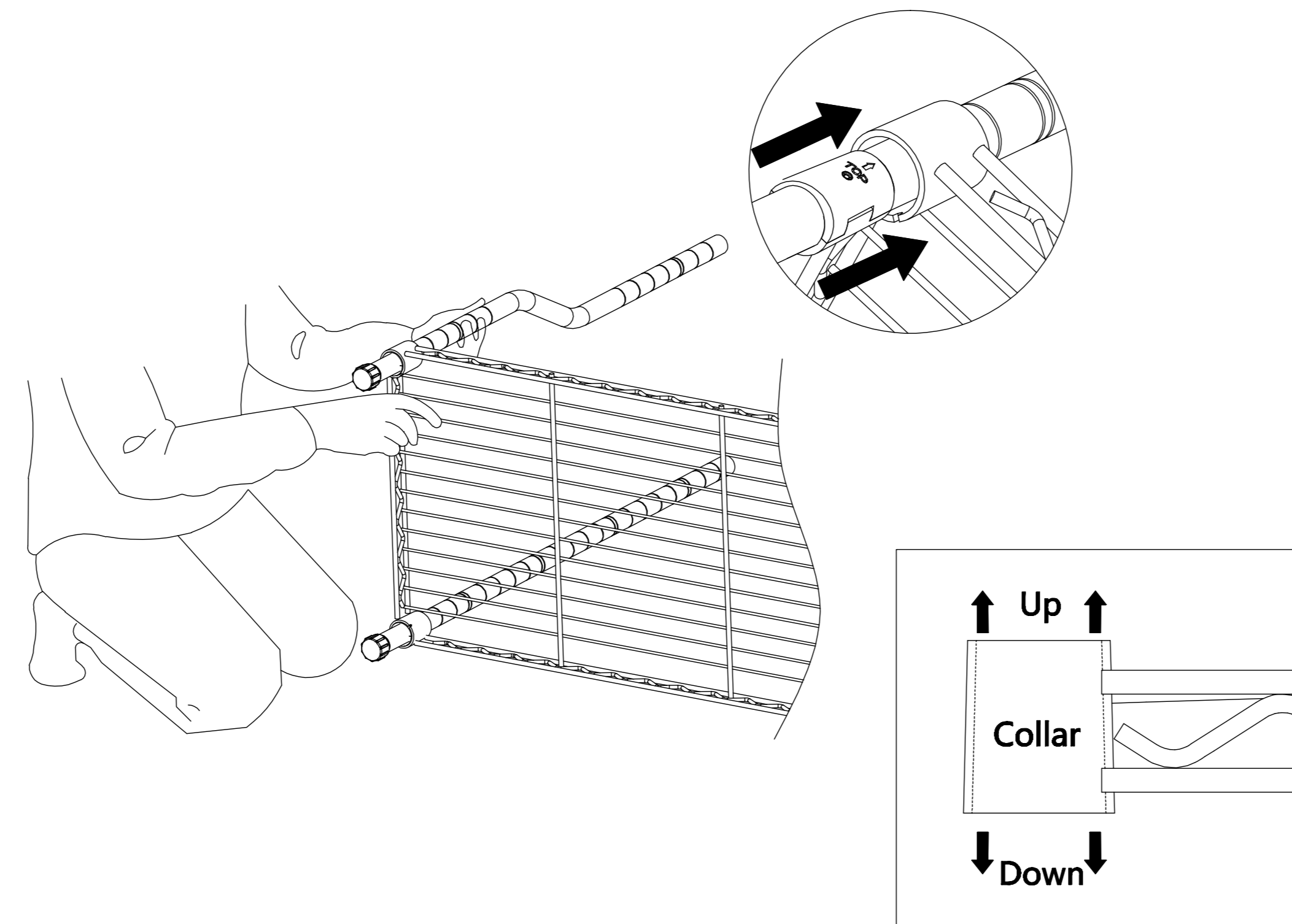
4.No Tools Required for Assembly.

Assembly Steps:

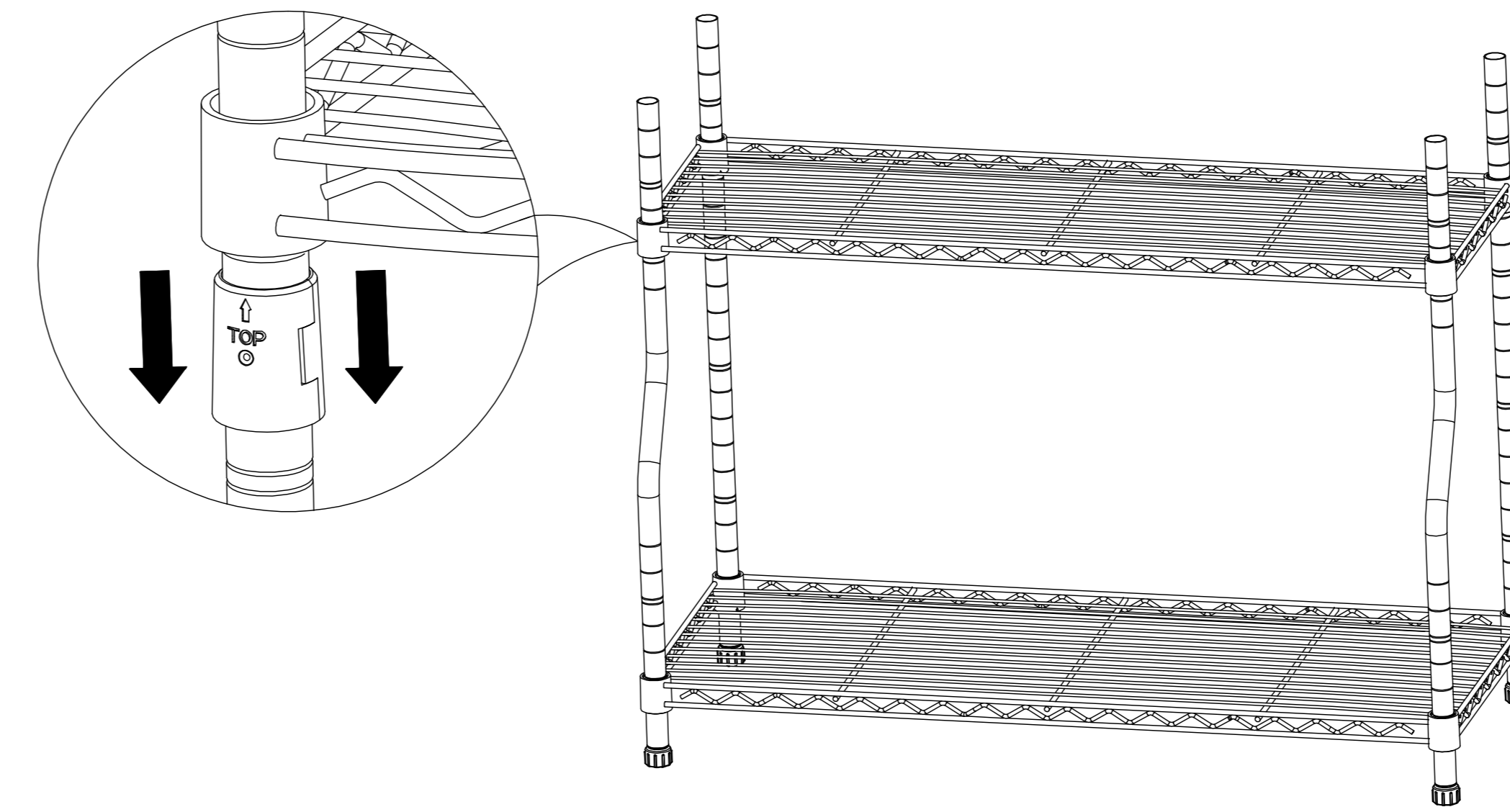
1 Snap the Plastic Clips (I) into the grooves of Lower Pole(E) and Z-shapped Pole(F) at same position, and make sure that all plastic clips' arrow should be pointed up.



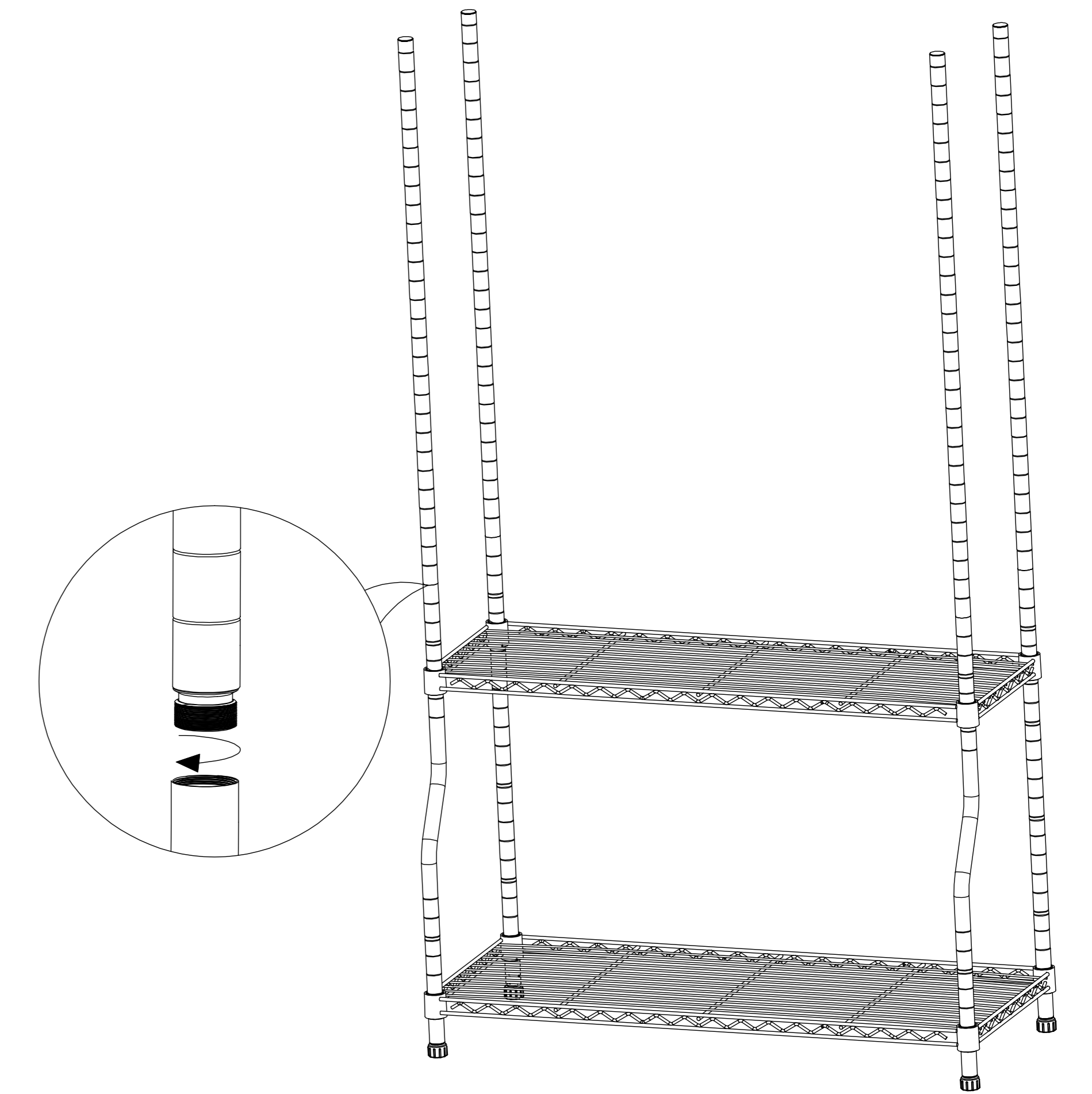
2 Please make sure that you have the Bottom Wire Shelf (A) the correct way up . Hold the shelf on its side and slide the top of two lower poles and two Z-shapped poles through the bottom of each shelf at its corners until there is snug fit . After 4 poles have been slid through the shelf collar holes, set the shelf upright.



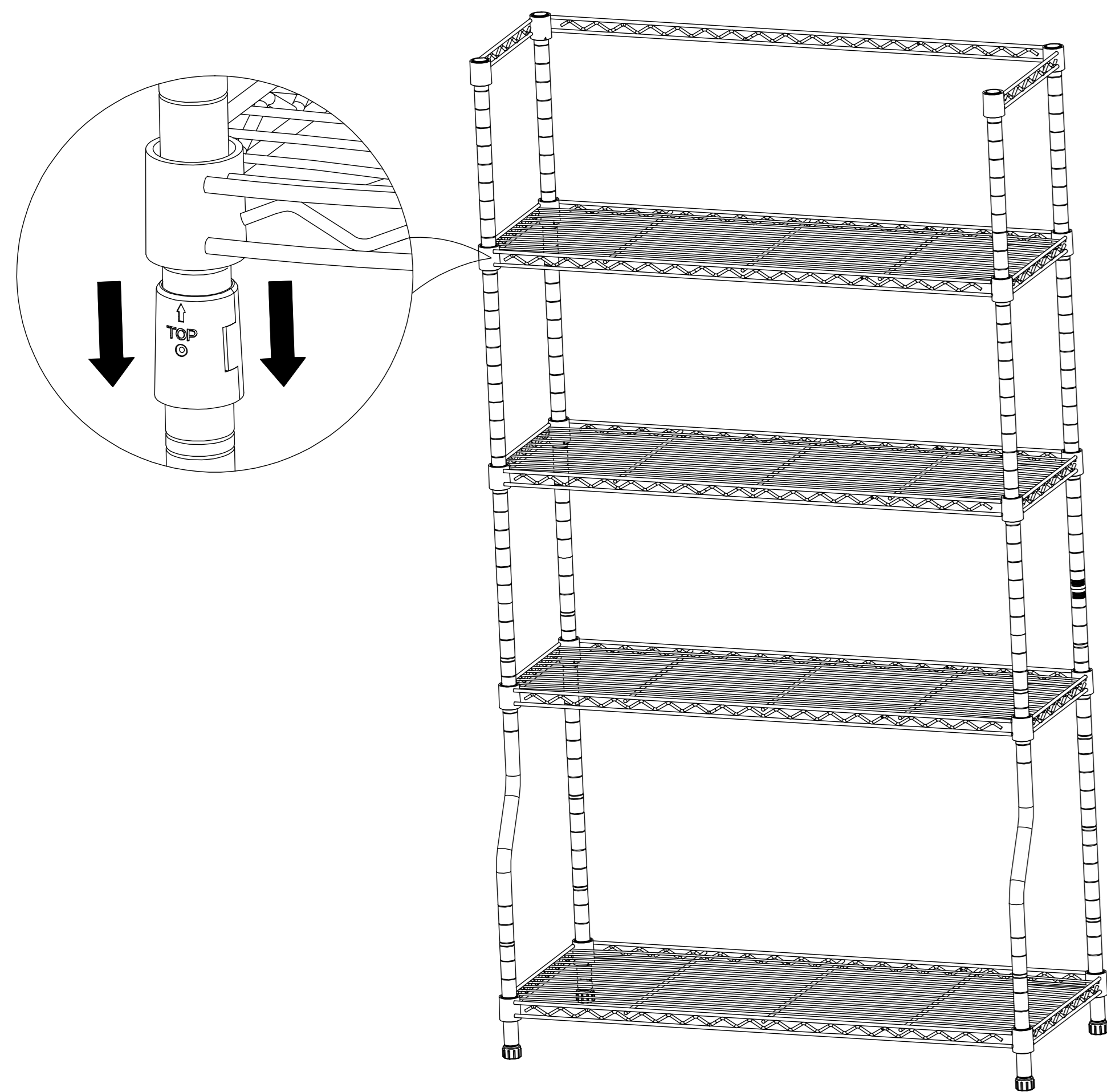
3 Snap plastic clips into the poles grooves at your desired position for Wire Shelf(B) , and slide down the shelf onto the plastic clips .



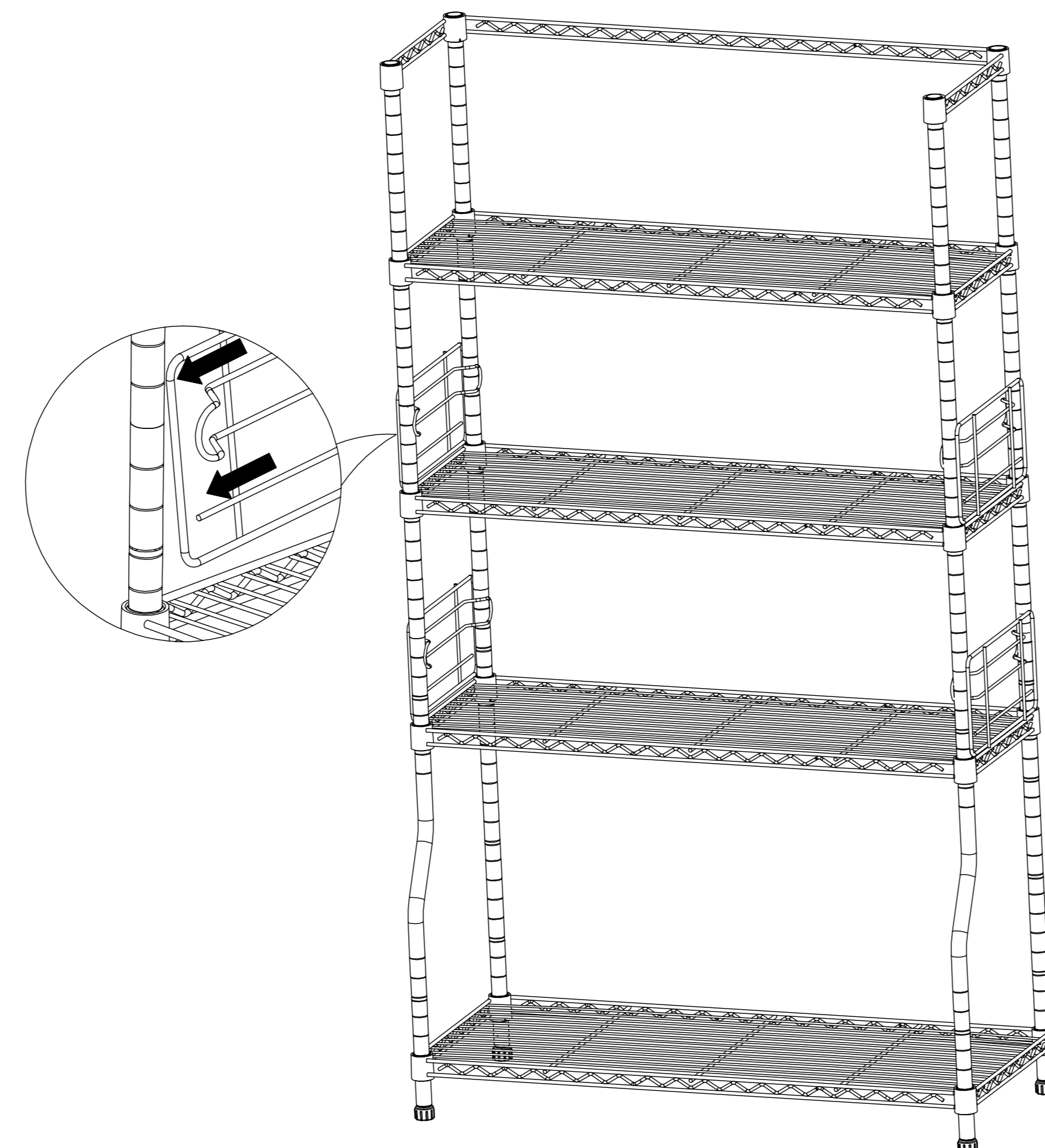
4 Screw Upper Poles (D) into lower poles by screw connectors which is already assembled on the upper poles.



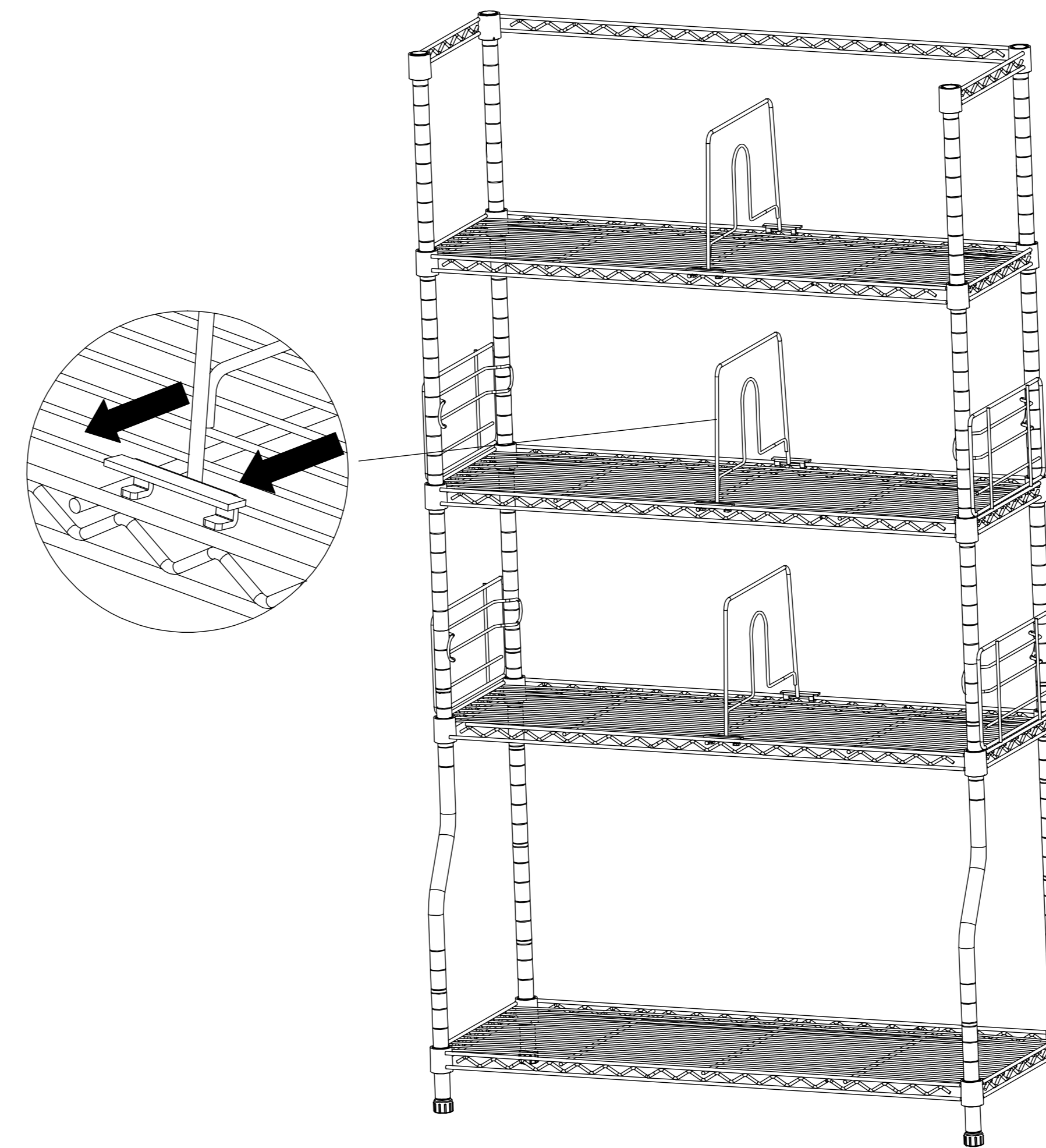
5 Repeat step 3 to assemble the next two wire shelves and Door Shapped Frame(C).



6 Jam the Shelf Ledge(H) between two poles at its sideways, then push shelf ledge firmly down.



7 Hold the n-shaped part in middle of Shelf Divider (G) and press inward to ensure the brackets at two ends of shelf divider stuck onto the shelf frame.



8 Pushing firmly down on every shelf at corners by rubber mallet to ensure the shelf in a place over the plastic clips. Screw the leveling feet in or out at the bottom of poles to attain proper leveling.

