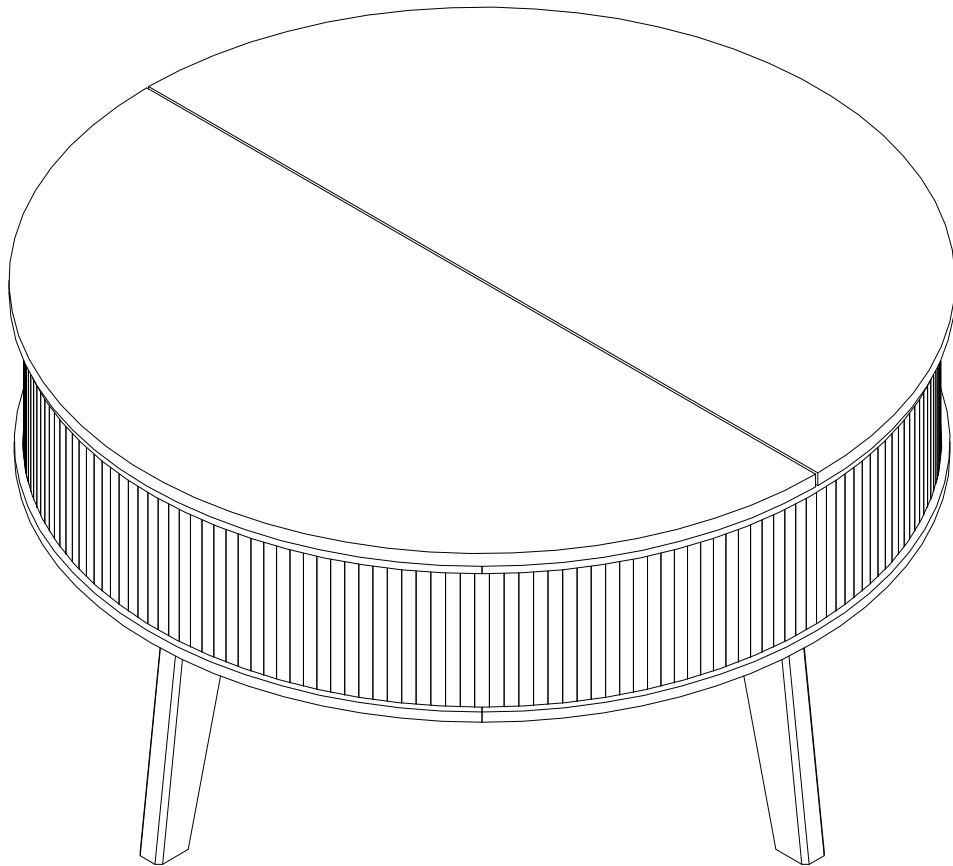

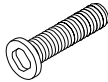
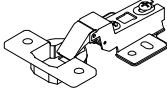
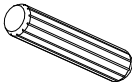
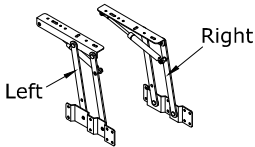
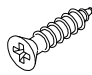
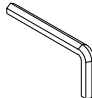
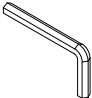

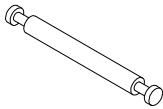
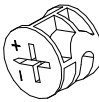
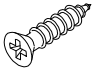
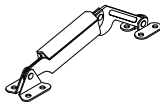



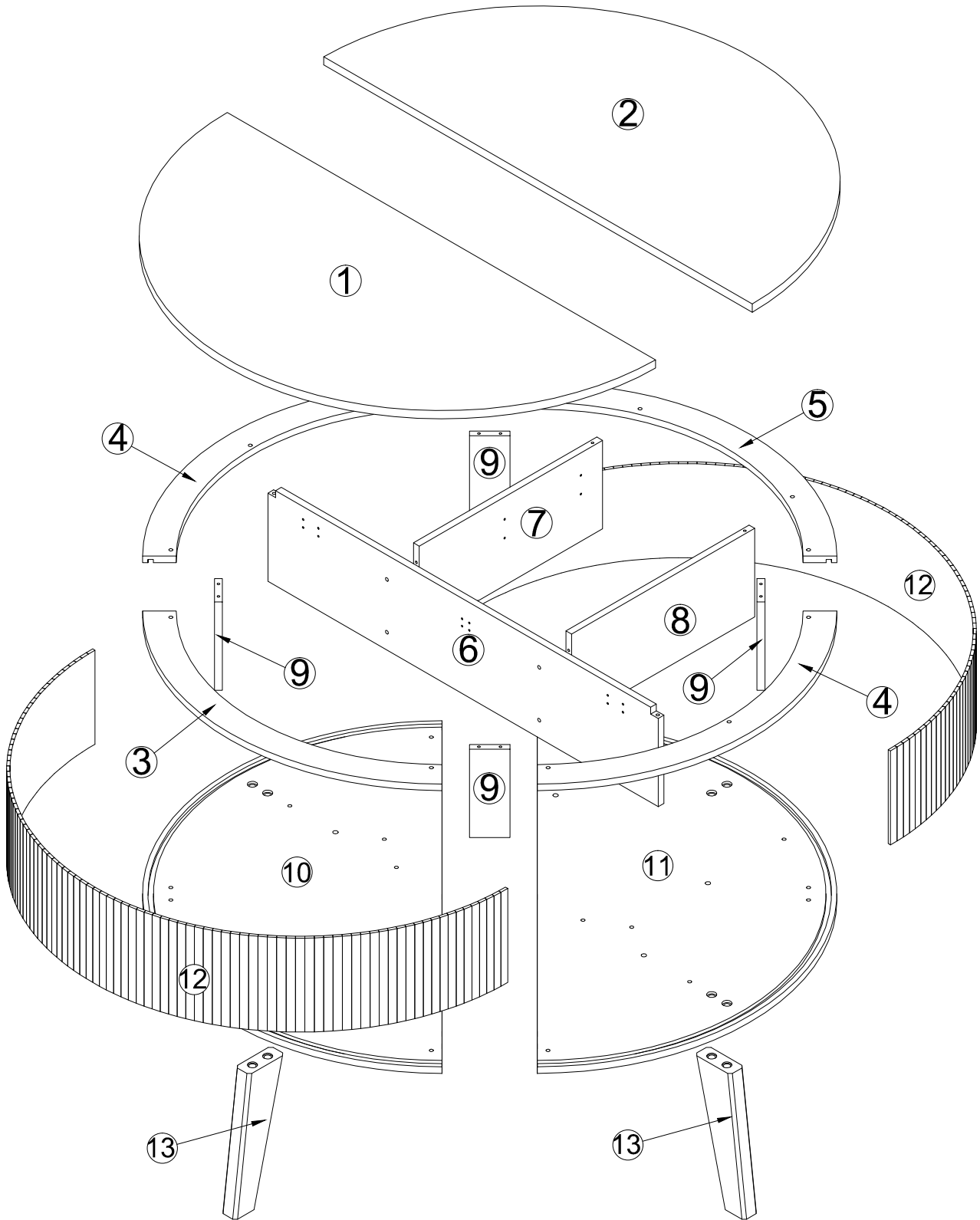
Assembly Instructions



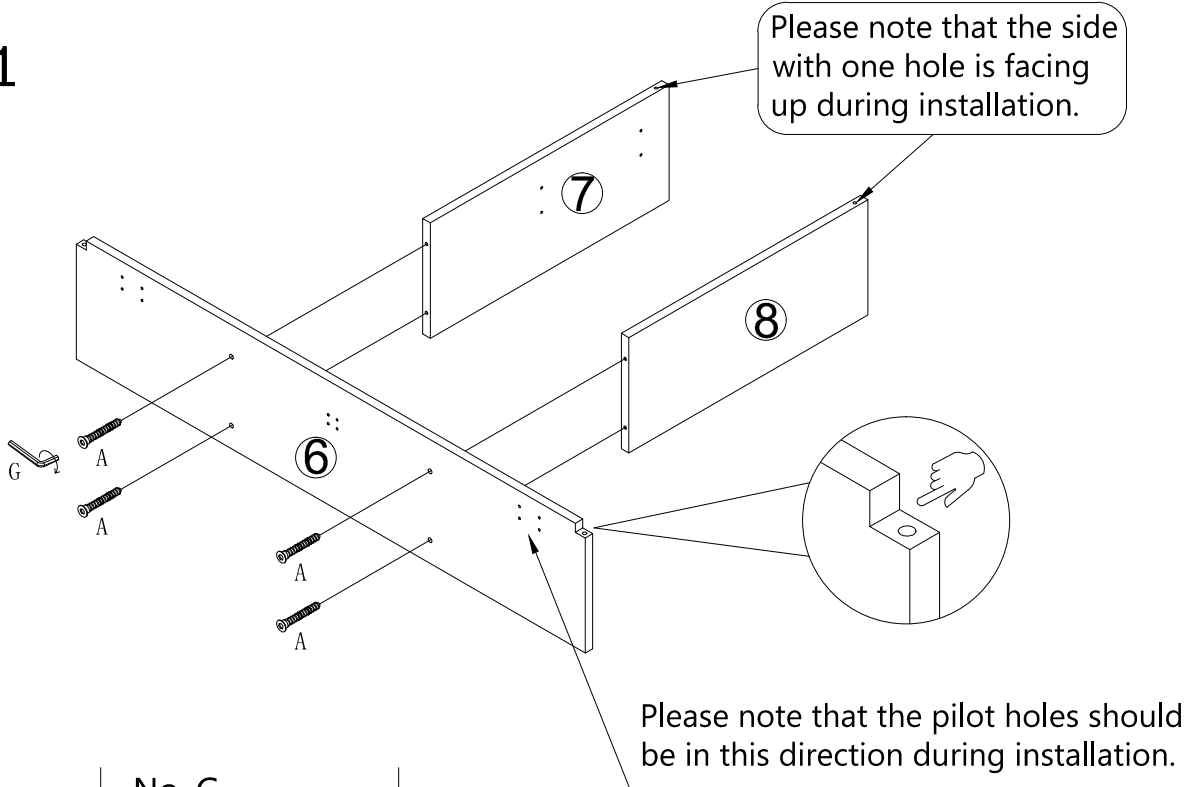
Part List

<p>No. A Quantity:32 Pcs Screw M5*40mm</p> 	<p>No. B Quantity:8 Pcs Screw M8*30mm</p> 	<p>No. C Quantity:2 Pcs Mid bend door hinge</p> 	<p>No. D Quantity:7 Pcs Dowel 8*30mm</p> 
<p>No. E Quantity:1 Sets Lifting rod</p> 	<p>No. F Quantity:24 Pcs Screw M4*14mm</p> 	<p>No. G Quantity:1 Pcs Allen Key 3#</p> 	<p>No. H Quantity:1 Pcs Allen Key 5#</p> 
<p>No. I Quantity:4 Pcs Foot Pad Ø20</p> 	<p>No. J Quantity:2 Pcs Double-ended rod 6*64mm</p> 	<p>No. K Quantity:4 Pcs Cam Ø15</p> 	<p>No. L Quantity:20 Pcs Screw M3.5*12mm</p> 
<p>No. M Quantity:1 Pcs Support rod</p> 	<p>No. N Quantity:6 Pcs Rubber particles Ø10</p> 		

Product structure



STEP 1



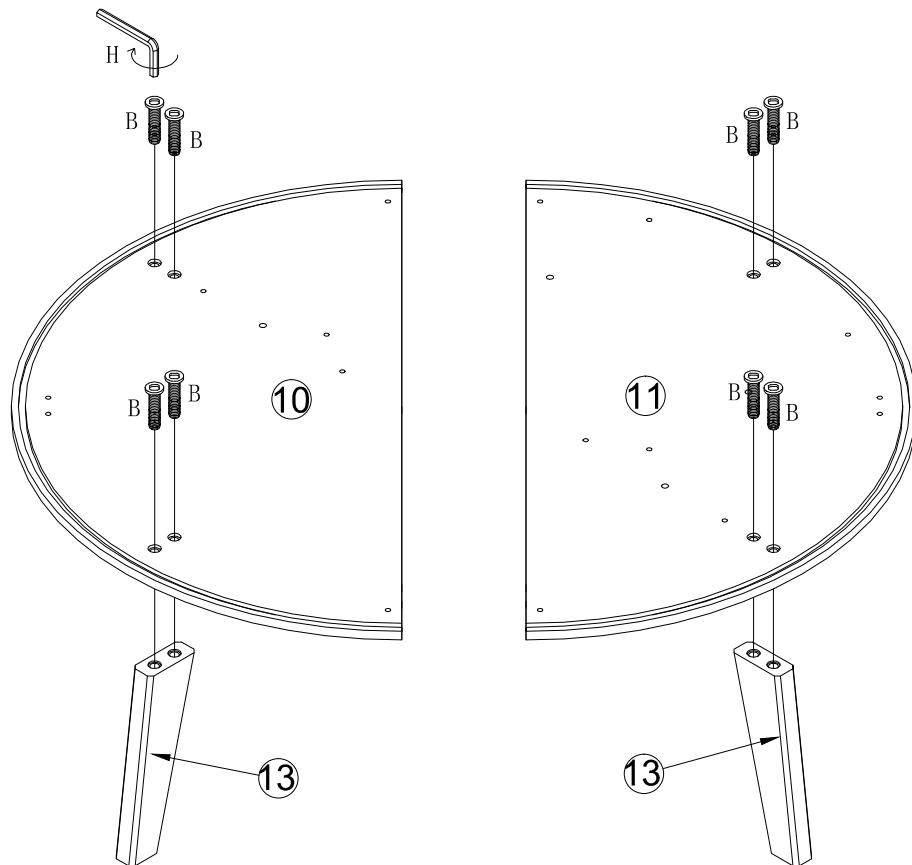
No. A
Quantity: 4 Pcs
M5*40mm



No. G
Quantity: 1 Pcs
3#



STEP 2



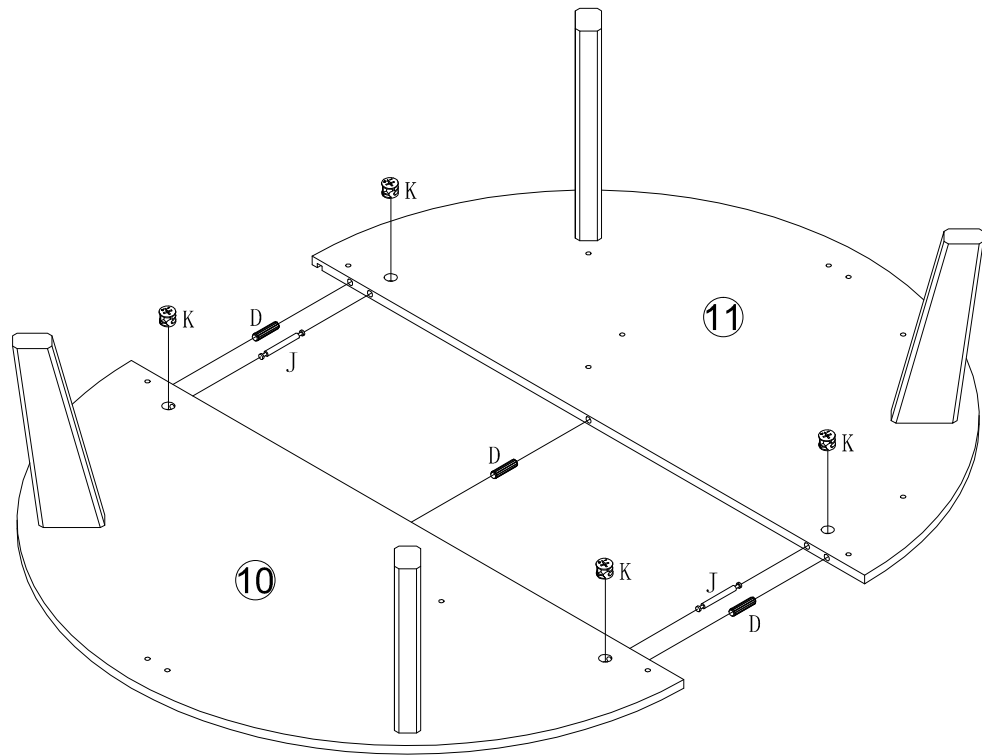
No. B
Quantity: 8 Pcs
M8*30mm



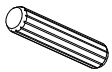
No. H
Quantity: 1 Pcs
5#



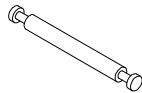
STEP 3



No. D
Quantity: 3 Pcs
8*30mm



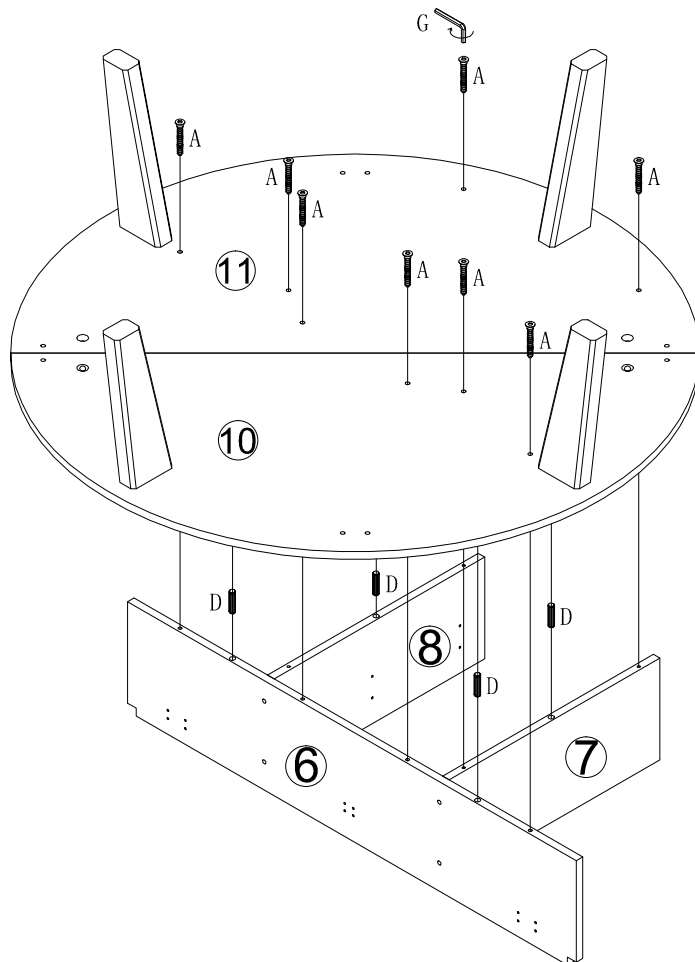
No. J
Quantity: 2 Pcs
6*64mm



No. K
Quantity: 4 Pcs
Ø15



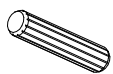
STEP 4



No. A
Quantity: 8 Pcs
M5*40mm



No. D
Quantity: 4 Pcs
8*30mm



No. G
Quantity: 1 Pcs
3#

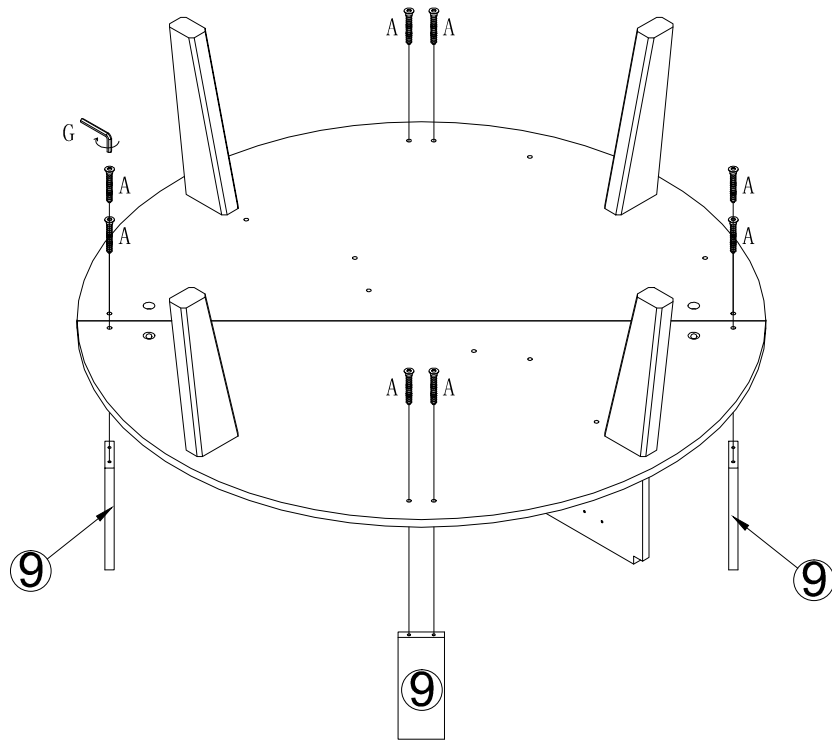


STEP 5

No. A
Quantity: 8 Pcs
M5*40mm

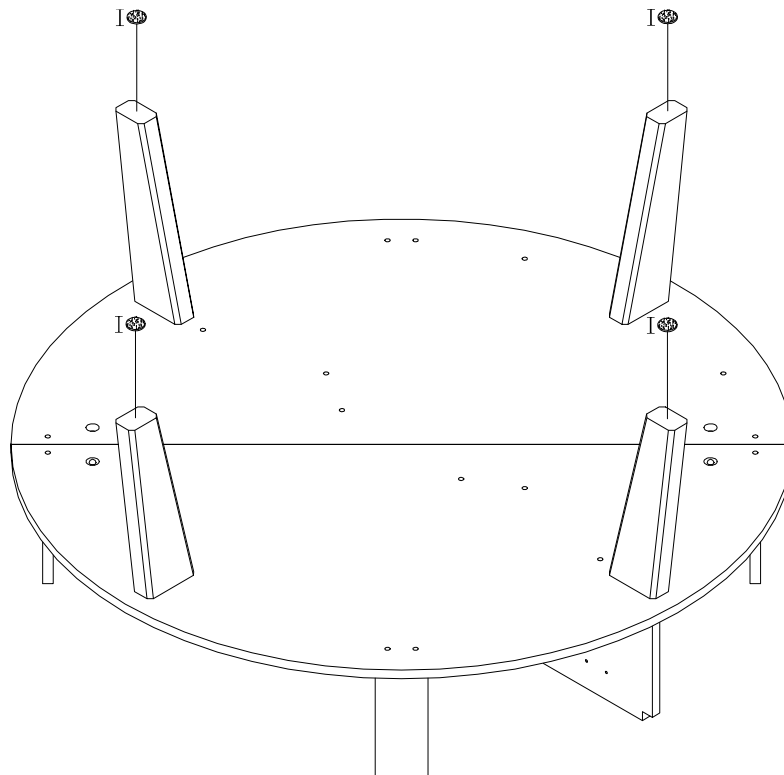


No. G
Quantity: 1 Pcs
3#

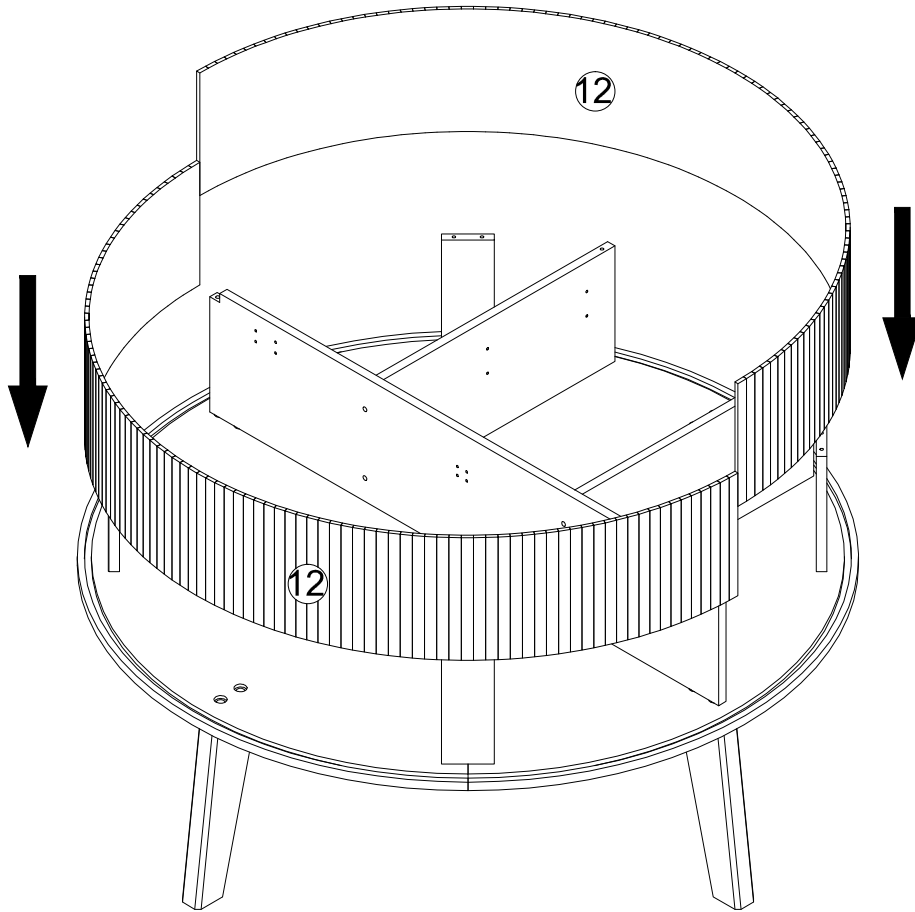


STEP 6

No. I
Quantity: 4 Pcs
Ø20



STEP 7



STEP 8

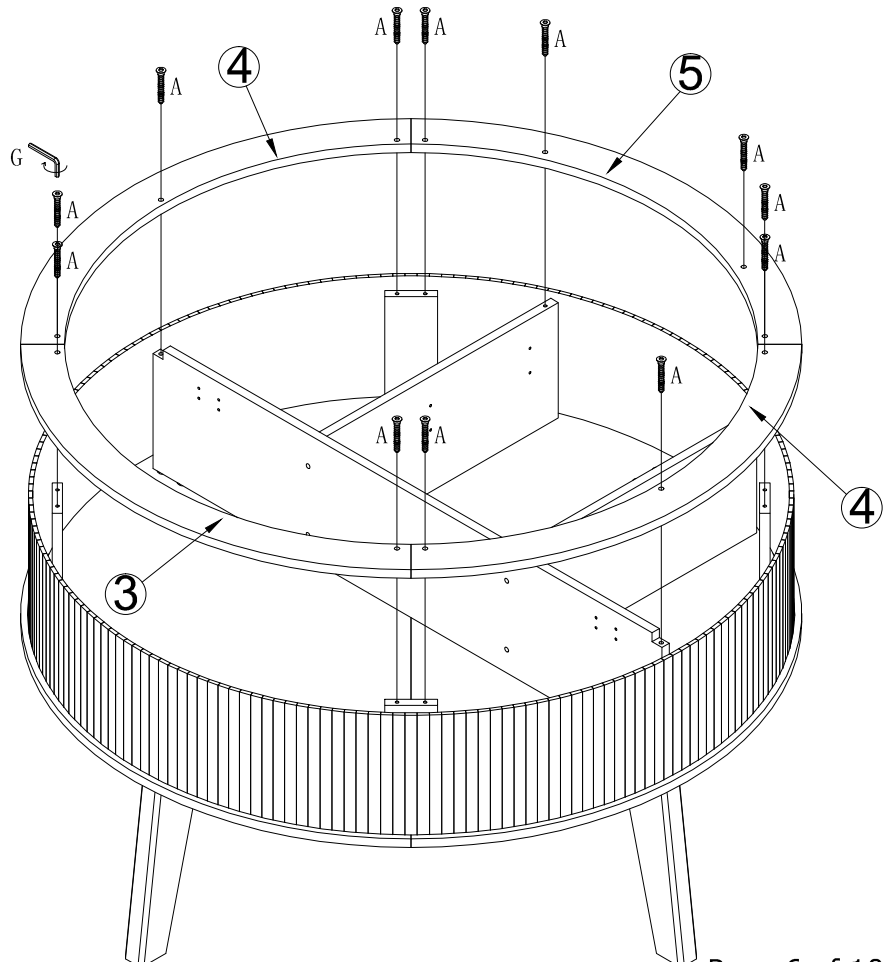


Please note, when performing this step and screwing in the screws, do not tighten them first. Adjust the gap between the doors to the appropriate width before tightening the screws.

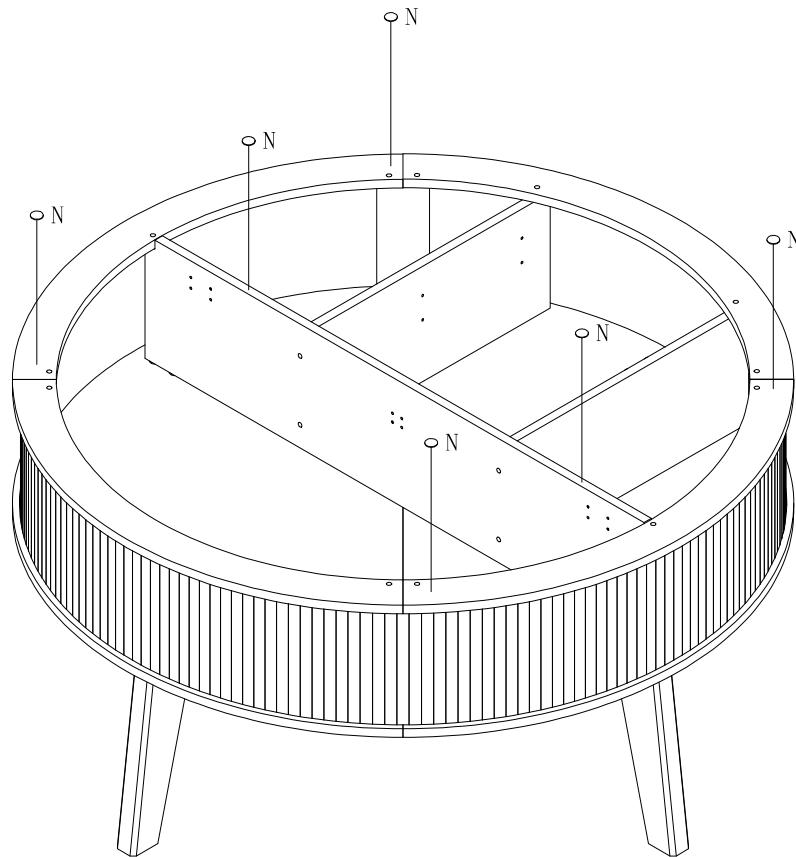
No. A
Quantity: 12 Pcs
M5*40mm



No. G
Quantity: 1 Pcs
3#



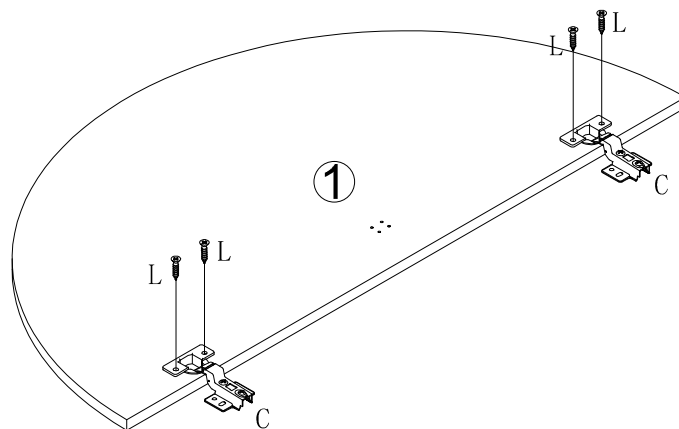
STEP 9



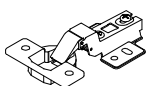
No. N
Quantity: 6 Pcs
Ø10



STEP 10



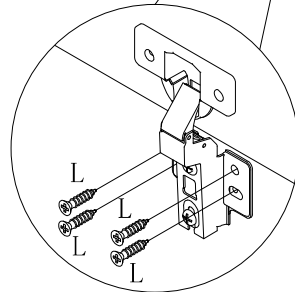
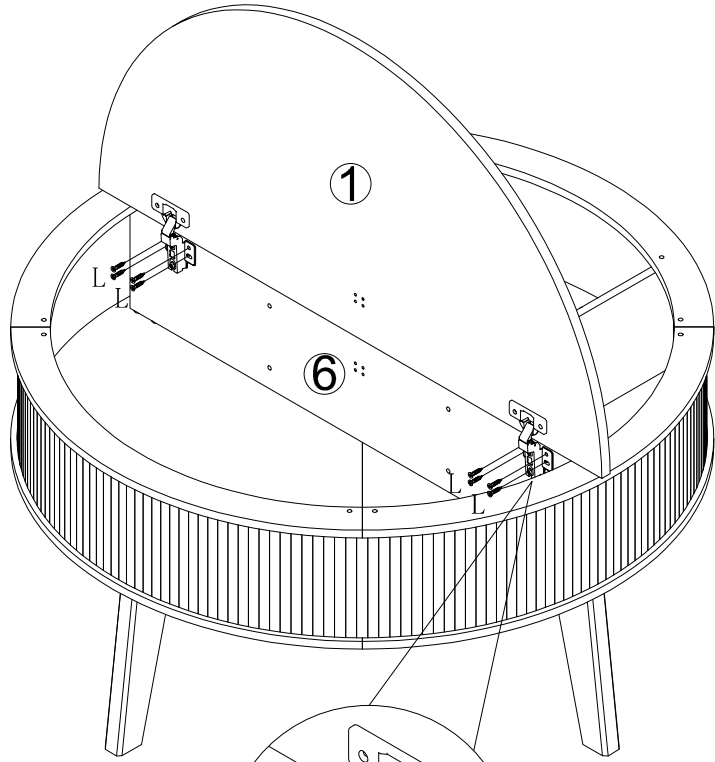
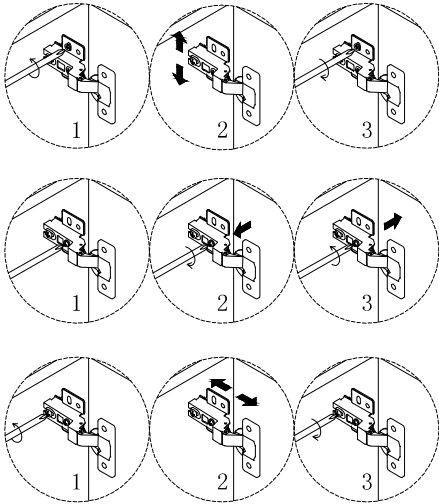
No. C
Quantity: 2 Pcs



No. L
Quantity: 4 Pcs
M3.5*12mm



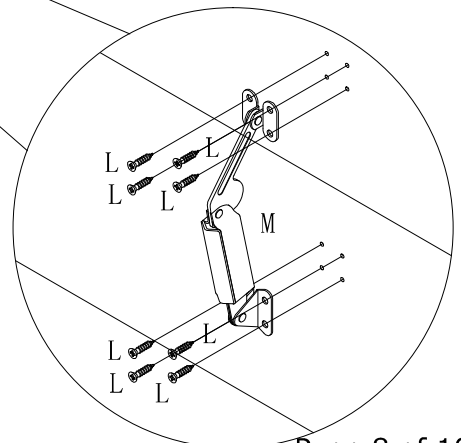
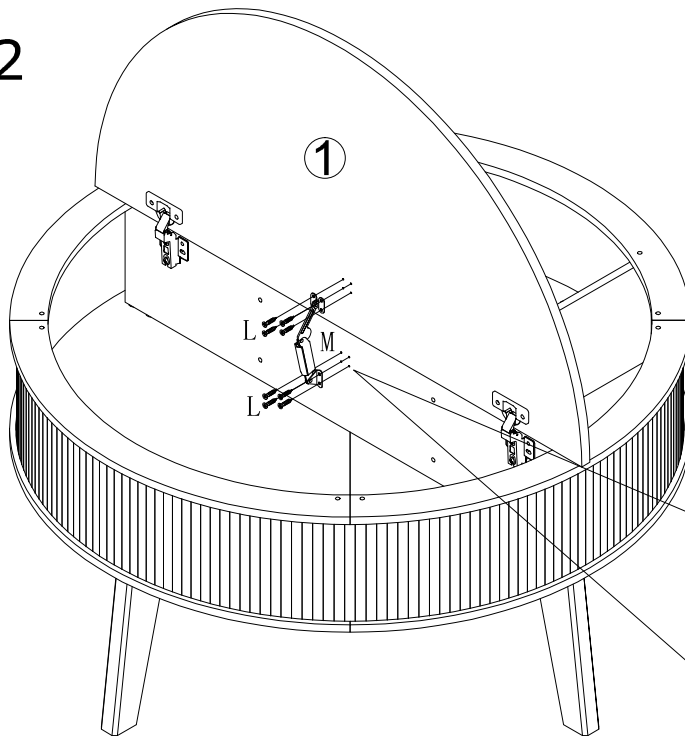
STEP 11



No. L
Quantity: 8 Pcs
M3.5*12mm



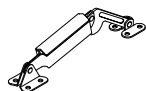
STEP 12



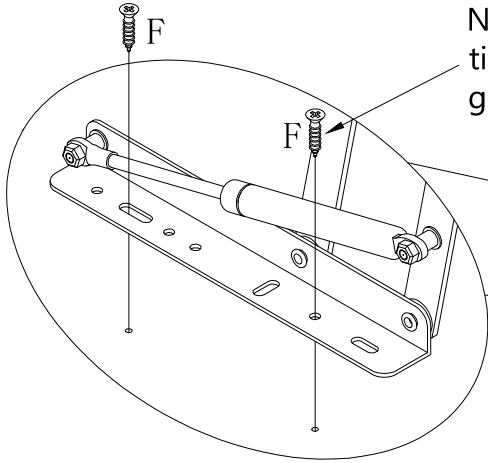
No. L
Quantity: 8 Pcs
M3.5*12mm



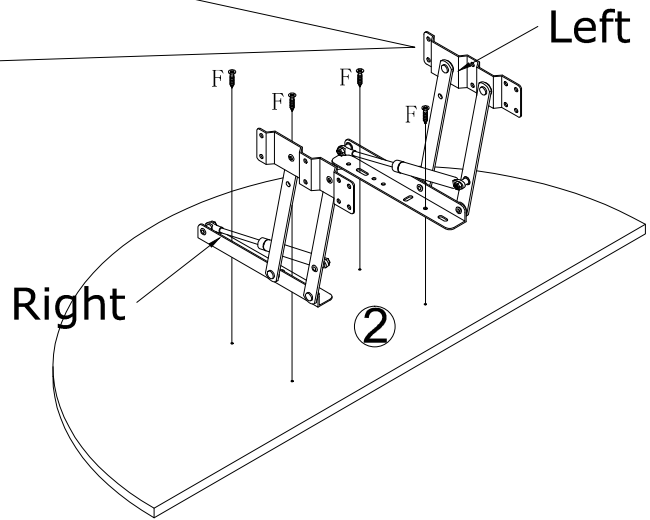
No. M
Quantity: 1 Pcs



STEP 13

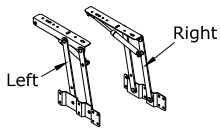


Note: First align the front guide hole, then tighten the screw, and then align the rear guide hole and tighten the screw.

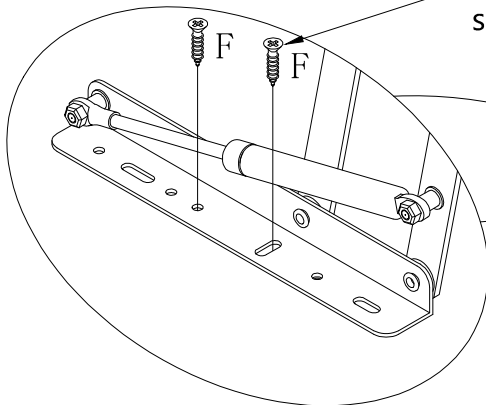


No. E
Quantity: 1 Sets

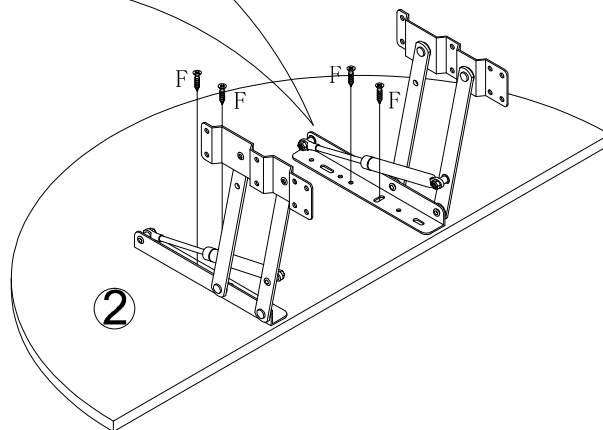
No. F
Quantity: 4 Pcs
M4*14mm



STEP 14



Note: Use screws to reinforce the lifting rod, there are no pilot holes here, the screws can be tightened directly.

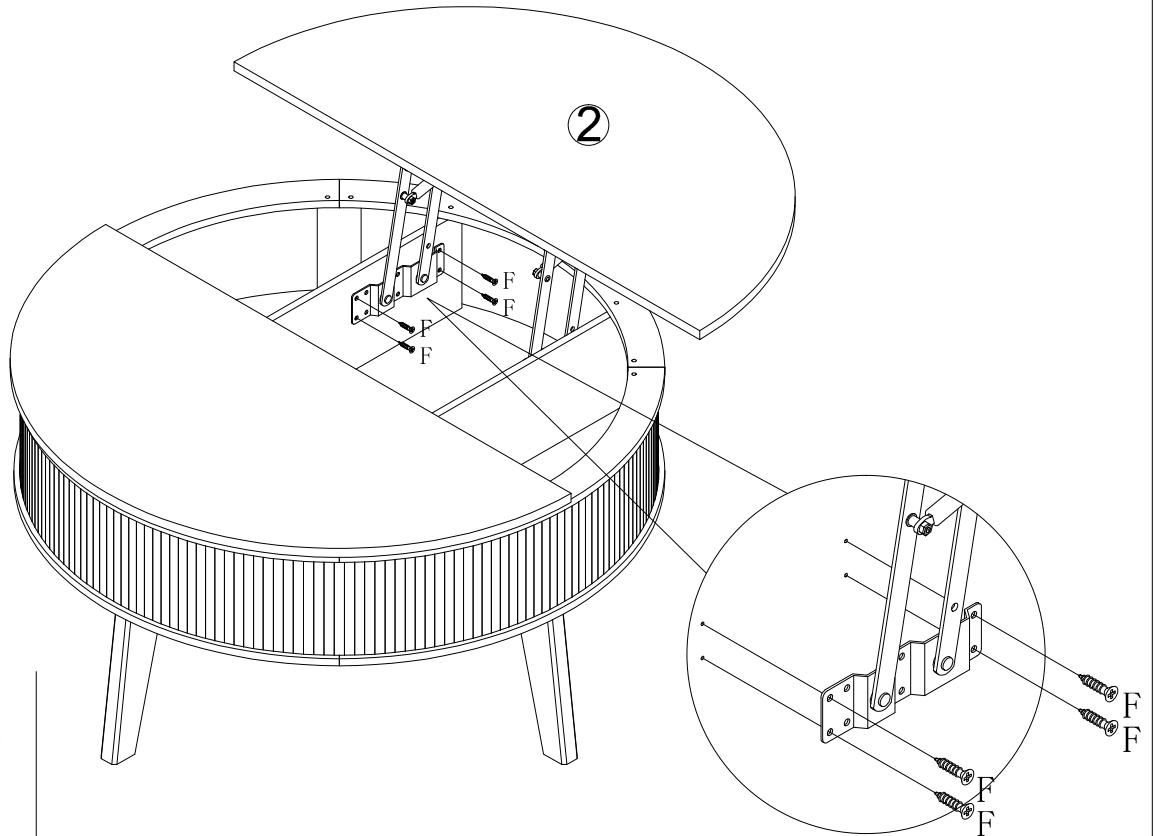


No. F
Quantity: 4 Pcs
M4*14mm



STEP 15

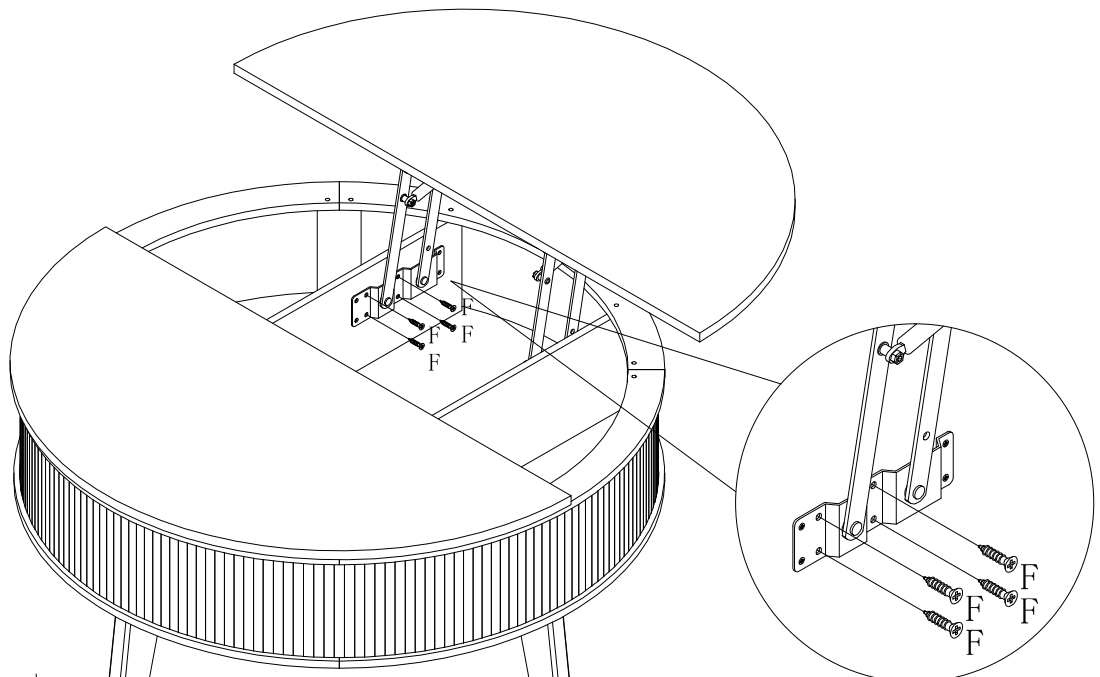
Note: Two people are required to install the panel.



No. F
Quantity: 8 Pcs
M4*14mm



STEP 16

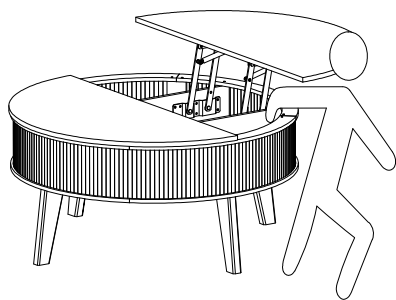
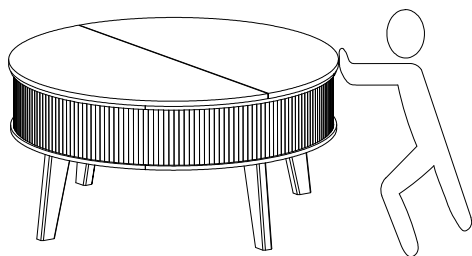


No. F
Quantity: 8 Pcs
M4*14mm



Note: Use screws to reinforce the lifting rod, there are no pilot holes here, the screws can be tightened directly.

Please Note!!
If you push or pull the coffee table directly,
the legs will break.



Please note that when moving this coffee table,
please lift the table with both hands or use two
people to carry this table.

